



US00D485302S

(12) **United States Design Patent**
Bain

(10) **Patent No.:** **US D485,302 S**

(45) **Date of Patent:** **** Jan. 13, 2004**

(54) **CORRECTION TAPE DISPENSER**

(75) **Inventor:** **Charles E. Bain**, West Dundee, IL (US)

(73) **Assignee:** **Sanford L.P.**, Bellwood, IL (US)

(**) **Term:** **14 Years**

(21) **Appl. No.:** **29/175,778**

(22) **Filed:** **Feb. 10, 2003**

(51) **LOC (7) Cl.** **19-02**

(52) **U.S. Cl.** **D19/69; D19/67; D19/53**

(58) **Field of Search** **D19/53, 65, 67, D19/68, 69, 89, 99, 100; 206/389, 395-398, 411, 415; 225/6, 7, 19, 25, 34-36, 45, 46, 52, 56, 53, 65, 77, 89; 156/327, 527, 523, 577; 242/588, 588.1-588.6, 419.4; 15/104.94**

(56) **References Cited**

U.S. PATENT DOCUMENTS

D292,297 S	10/1987	Bingham	D19/41
D318,295 S	7/1991	Sze	D19/55
D328,097 S	7/1992	Czech	D19/69
D332,281 S	1/1993	Silverman	D19/36
D359,508 S	6/1995	Debbas	D19/47
D364,644 S	11/1995	Watanabe et al.	D19/69
5,470,162 A	11/1995	Rubin	401/6
D368,115 S	3/1996	Kouda	D19/69
D369,385 S	4/1996	Lapointe	D19/69
D378,532 S	3/1997	Suzuki	D19/69
D393,484 S	4/1998	Schubert	D19/42
5,785,443 A	7/1998	Rubin	401/6
5,795,085 A *	8/1998	Yoo	156/577 X
D399,256 S	10/1998	Kelders	D19/53
D407,438 S	3/1999	Kelders et al.	D19/69
D410,955 S	6/1999	Hoffmann	D19/69
D421,461 S	3/2000	Kelders et al.	D19/69
D424,619 S	5/2000	Katami	D19/69
6,062,286 A *	5/2000	Koyama et al.	156/579 X

6,112,796 A *	9/2000	Stevens	156/577
6,126,349 A	10/2000	Kelders	410/36
D436,129 S *	1/2001	Fujihara	D19/53
D447,180 S	8/2001	Stropkay et al.	D19/69
D448,412 S *	9/2001	Miki et al.	D19/69
D448,416 S	9/2001	Kimura	D19/69
D449,858 S	10/2001	Liu	D19/69
D456,522 S	4/2002	Elkerbout	D24/215
D457,564 S	5/2002	Kimura	D19/53
D465,241 S *	11/2002	Suzuki	D19/67 X
D466,939 S *	12/2002	Lee	D19/53 X

* cited by examiner

Primary Examiner—Martie K. Holtje

(74) *Attorney, Agent, or Firm*—Marshall, Gerstein & Borun LLP

(57) **CLAIM**

The ornamental design for a “correction tape dispenser”, as shown and described

DESCRIPTION

FIG. 1 is a right side perspective view taken from the front, side and above showing my new design;
 FIG. 2 is a plan view thereof;
 FIG. 3 is a right side elevational view thereof;
 FIG. 4 is a left side elevational view thereof;
 FIG. 5 is a front view thereof;
 FIG. 6 is a rear view thereof;
 FIG. 7 is a bottom view thereof;
 FIG. 8 is a right side perspective view of FIG. 1 showing the tape guard in a down position;
 FIG. 9 is a plan view of FIG. 1 showing the tape guard in a down position;
 FIG. 10 is a right side elevational view of FIG. 1 showing the tape guard in a down position; and,
 FIG. 11 is a front view of FIG. 1 showing the tape guard in a down position.

1 Claim, 4 Drawing Sheets

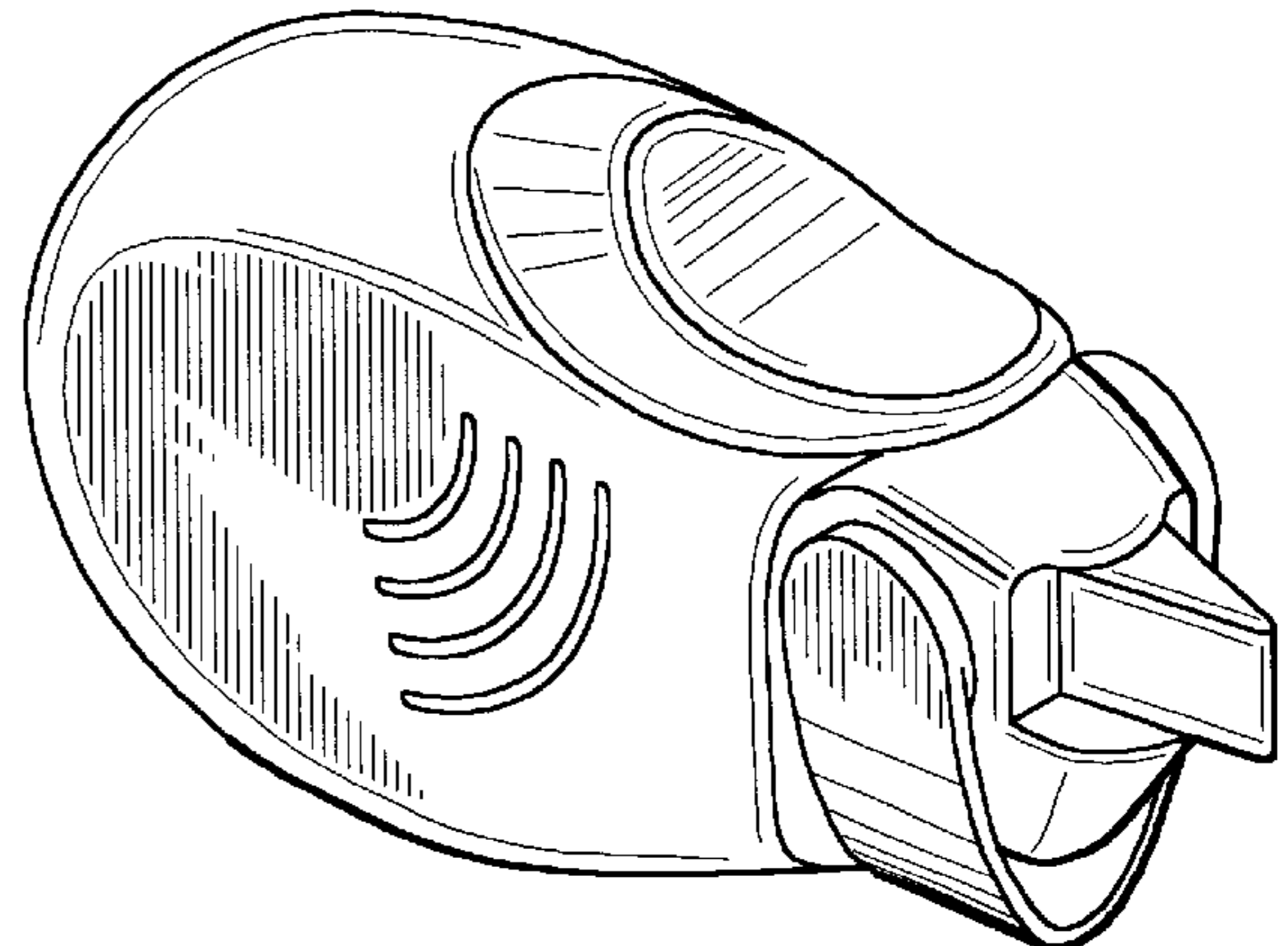
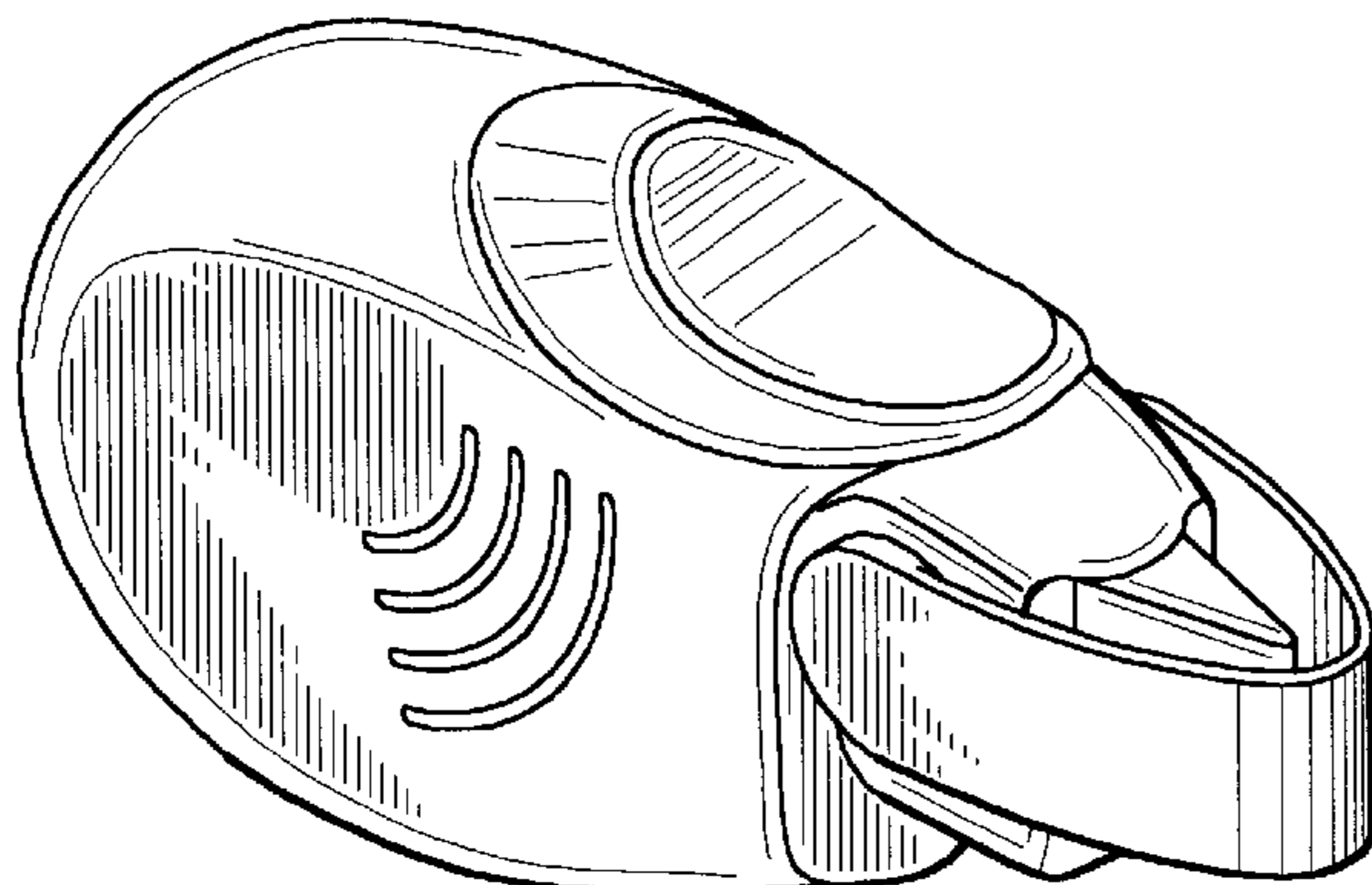


FIG. 1

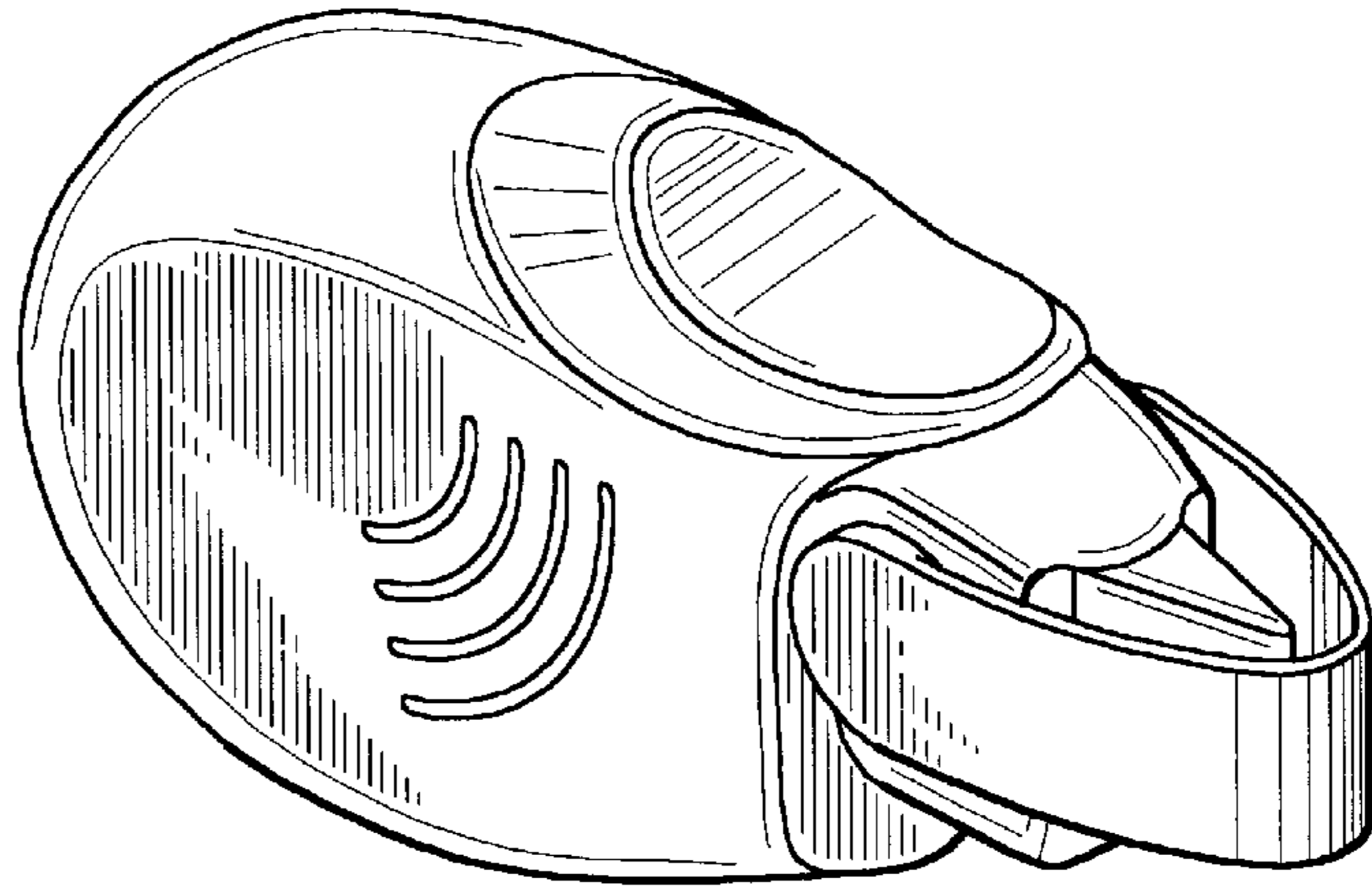


FIG. 2

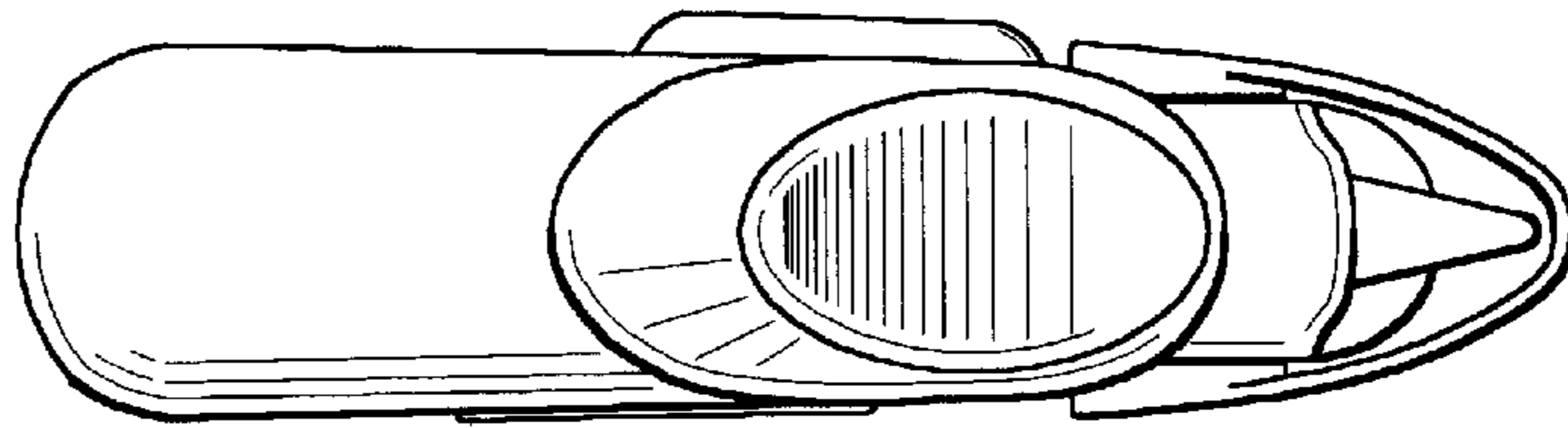
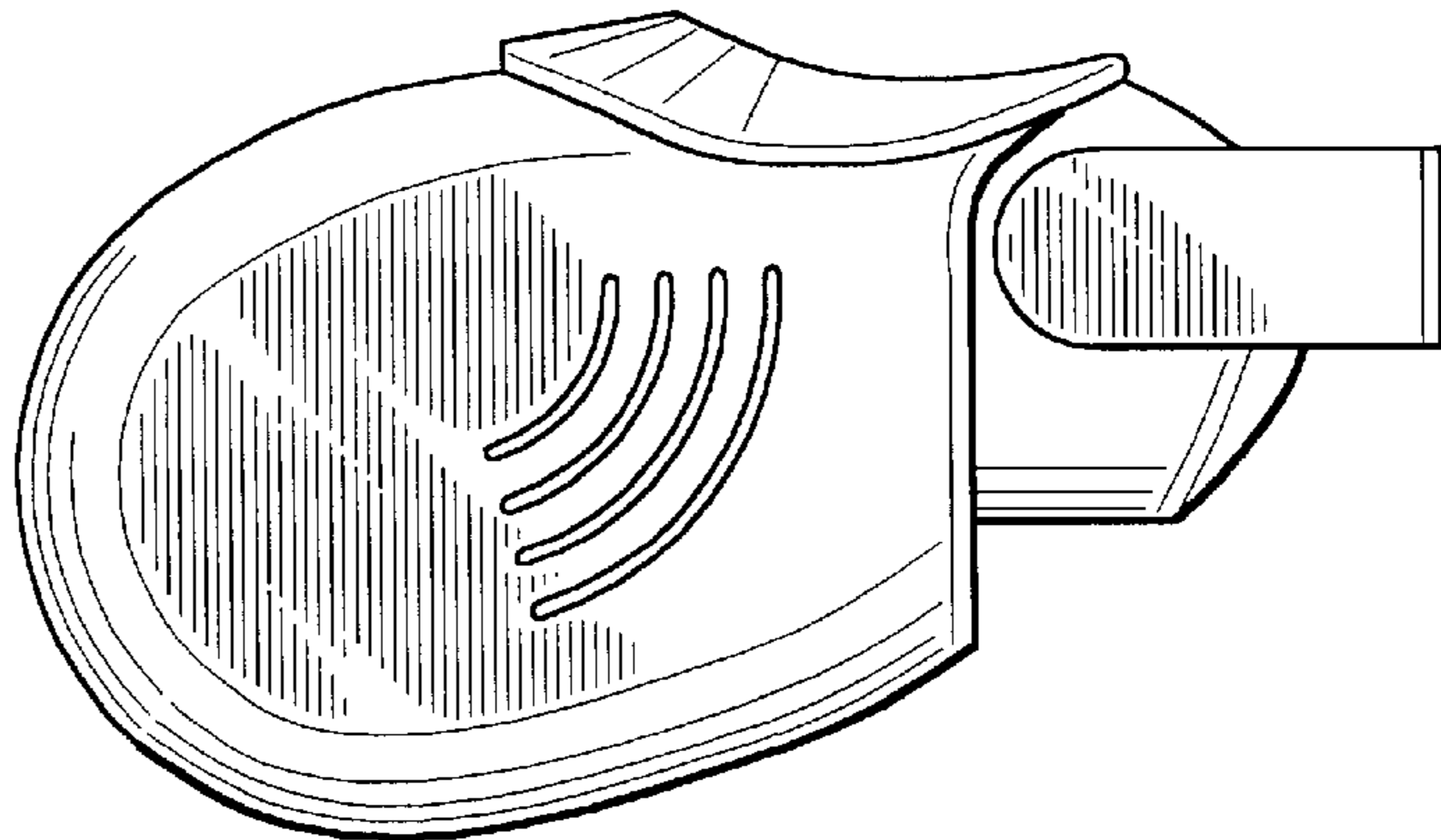


FIG. 3



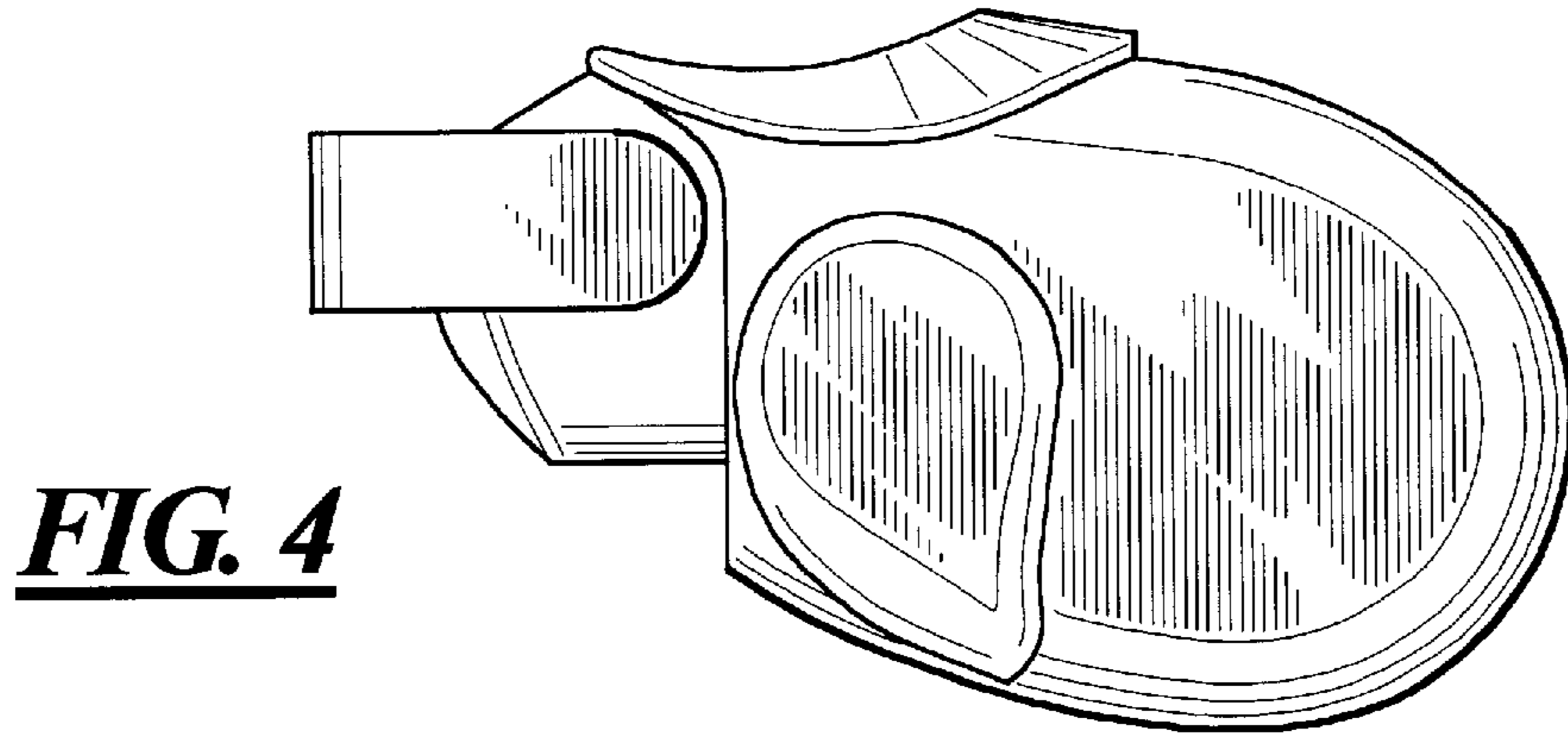


FIG. 4

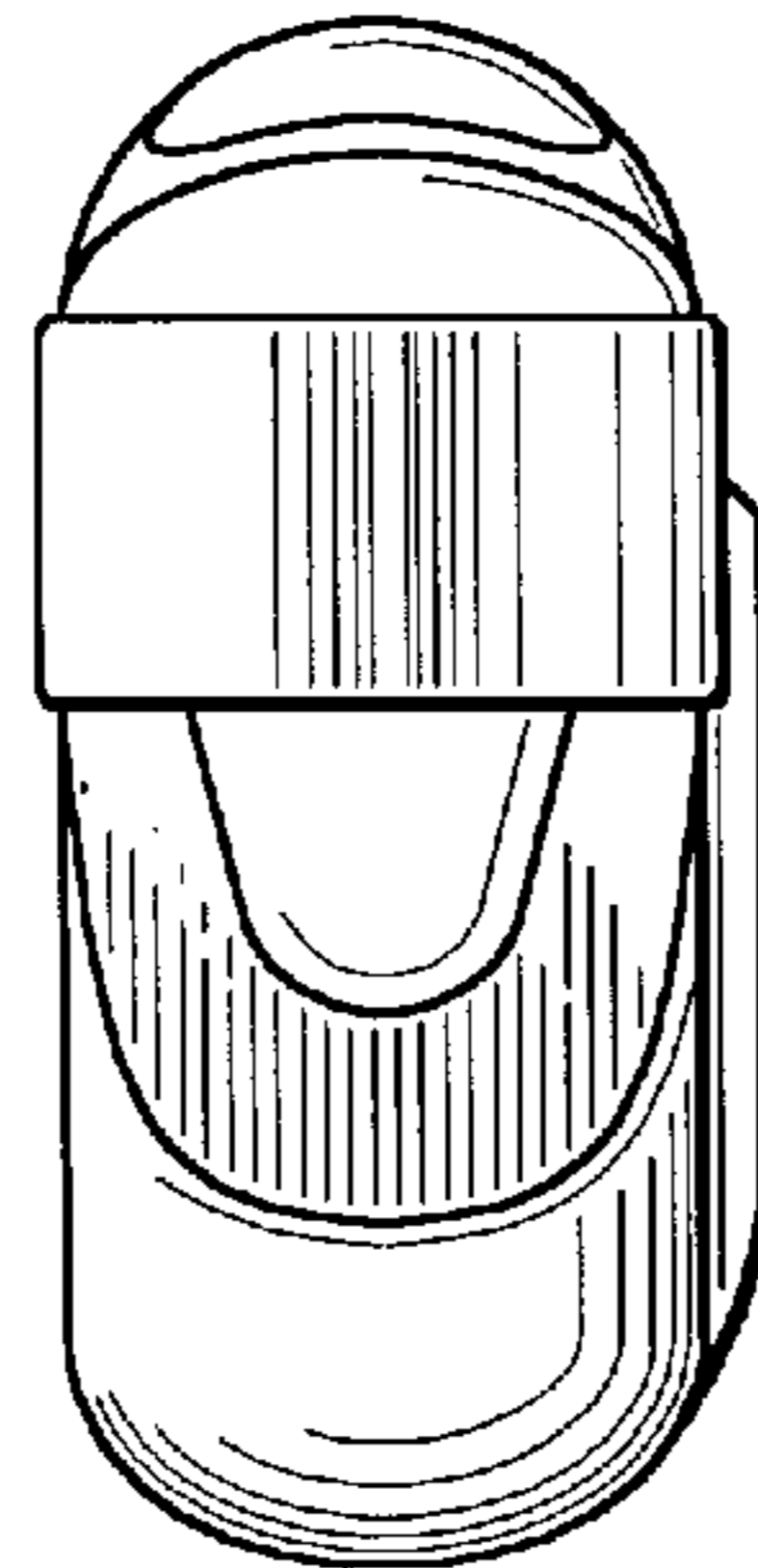


FIG. 5

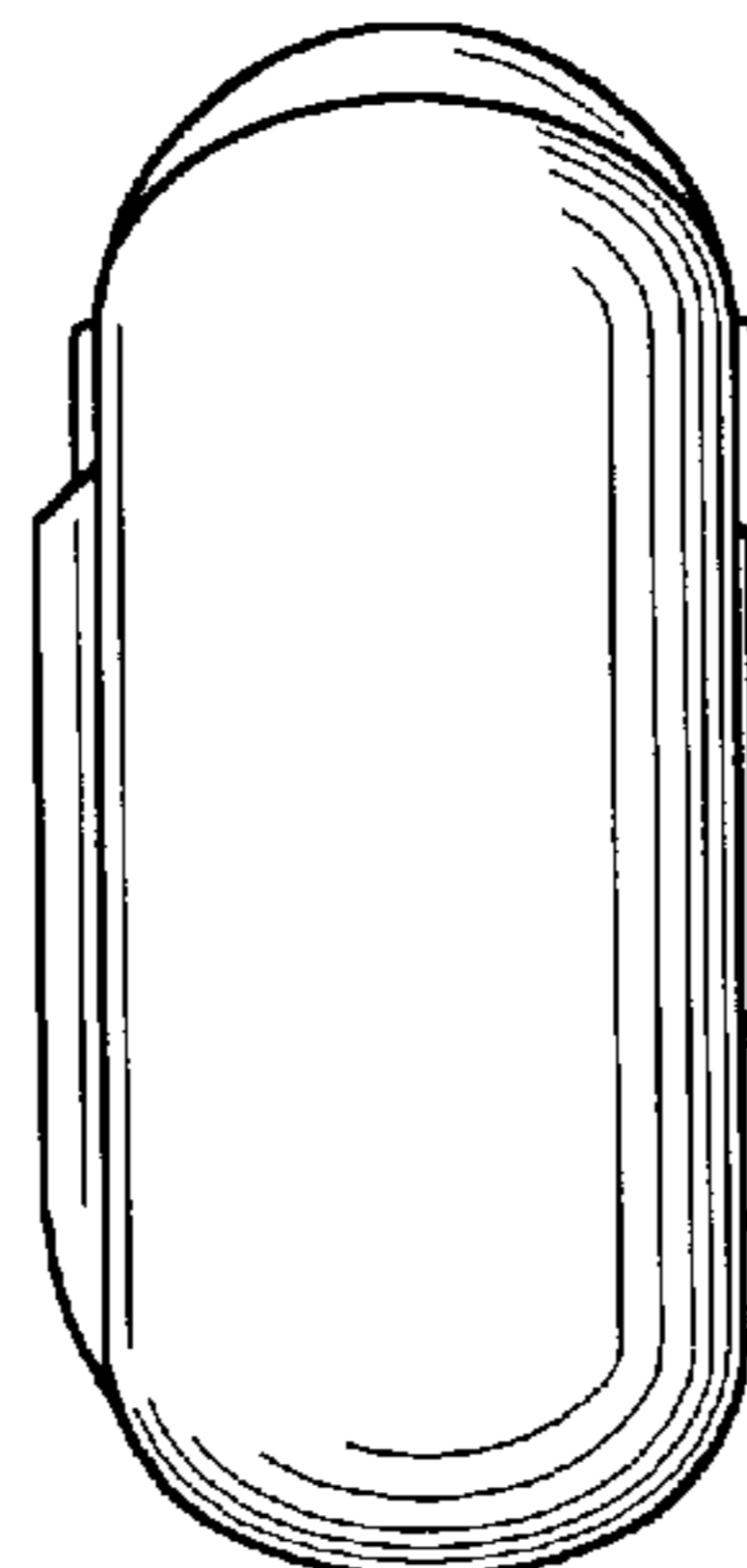


FIG. 6

FIG. 7

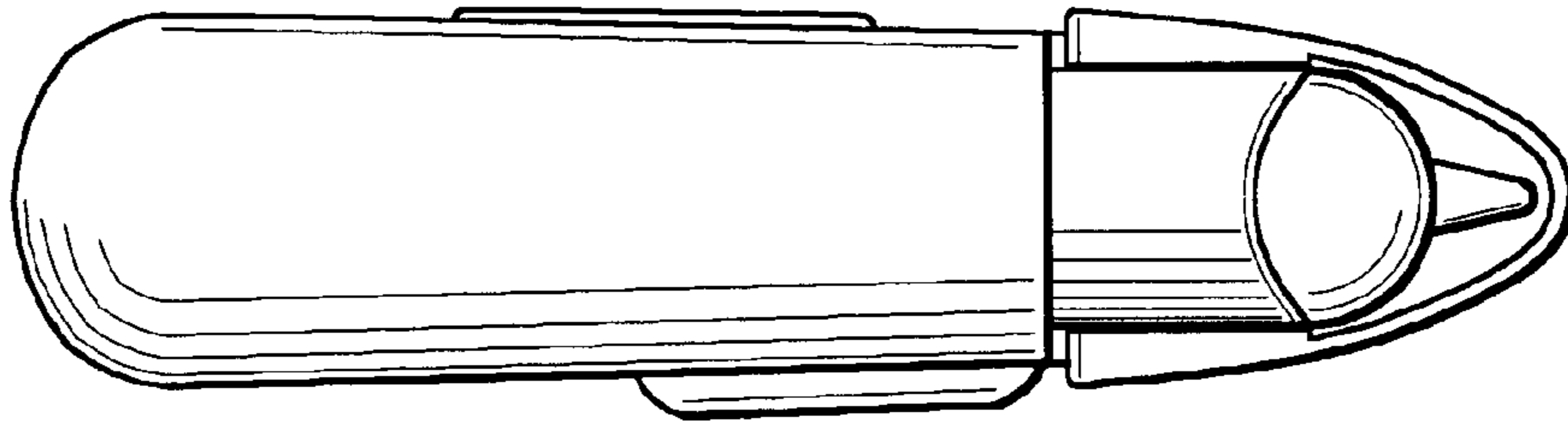
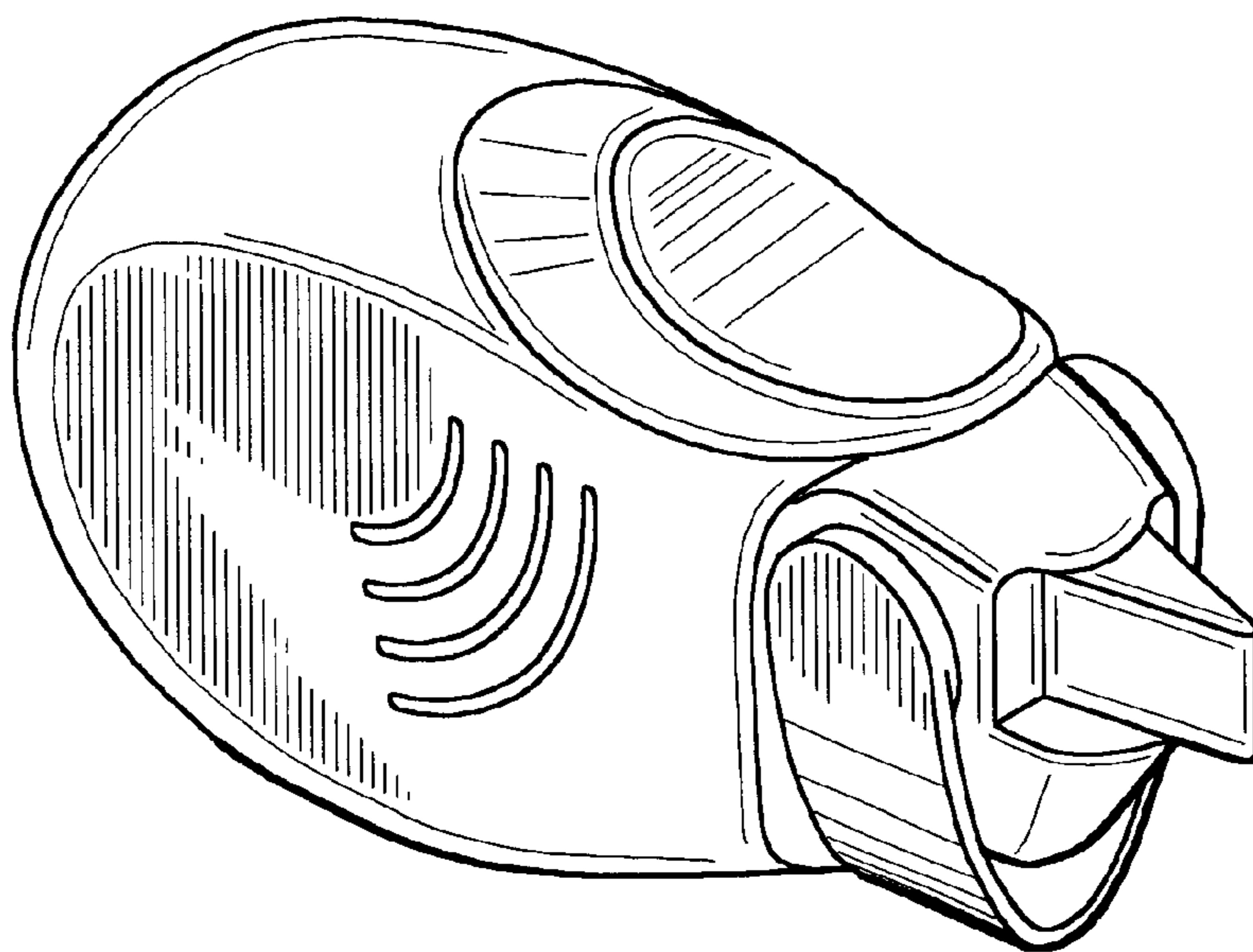


FIG. 8



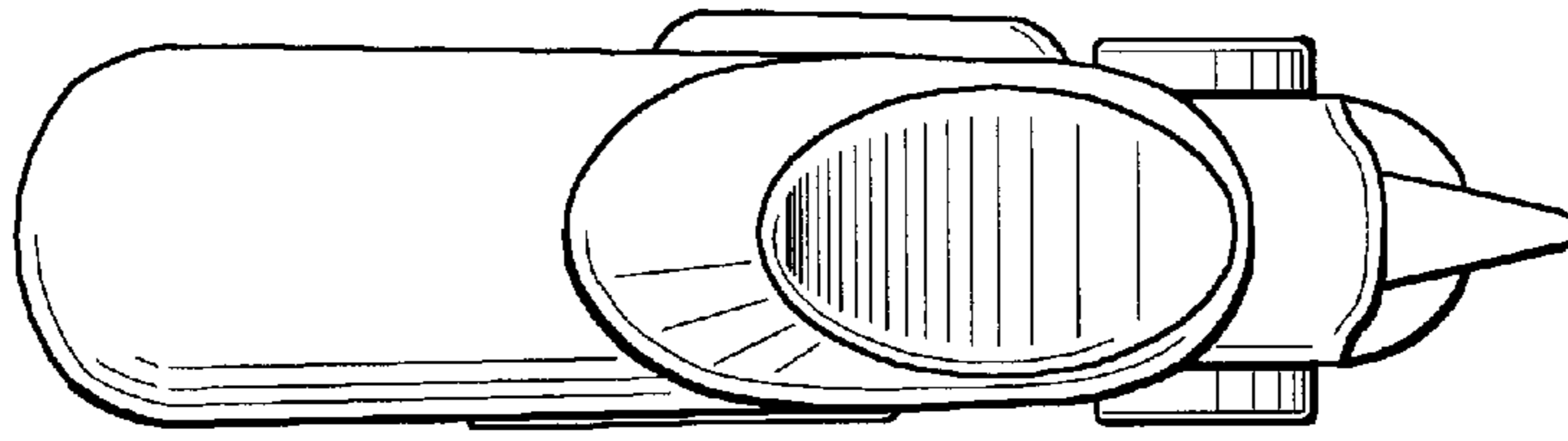


FIG. 9

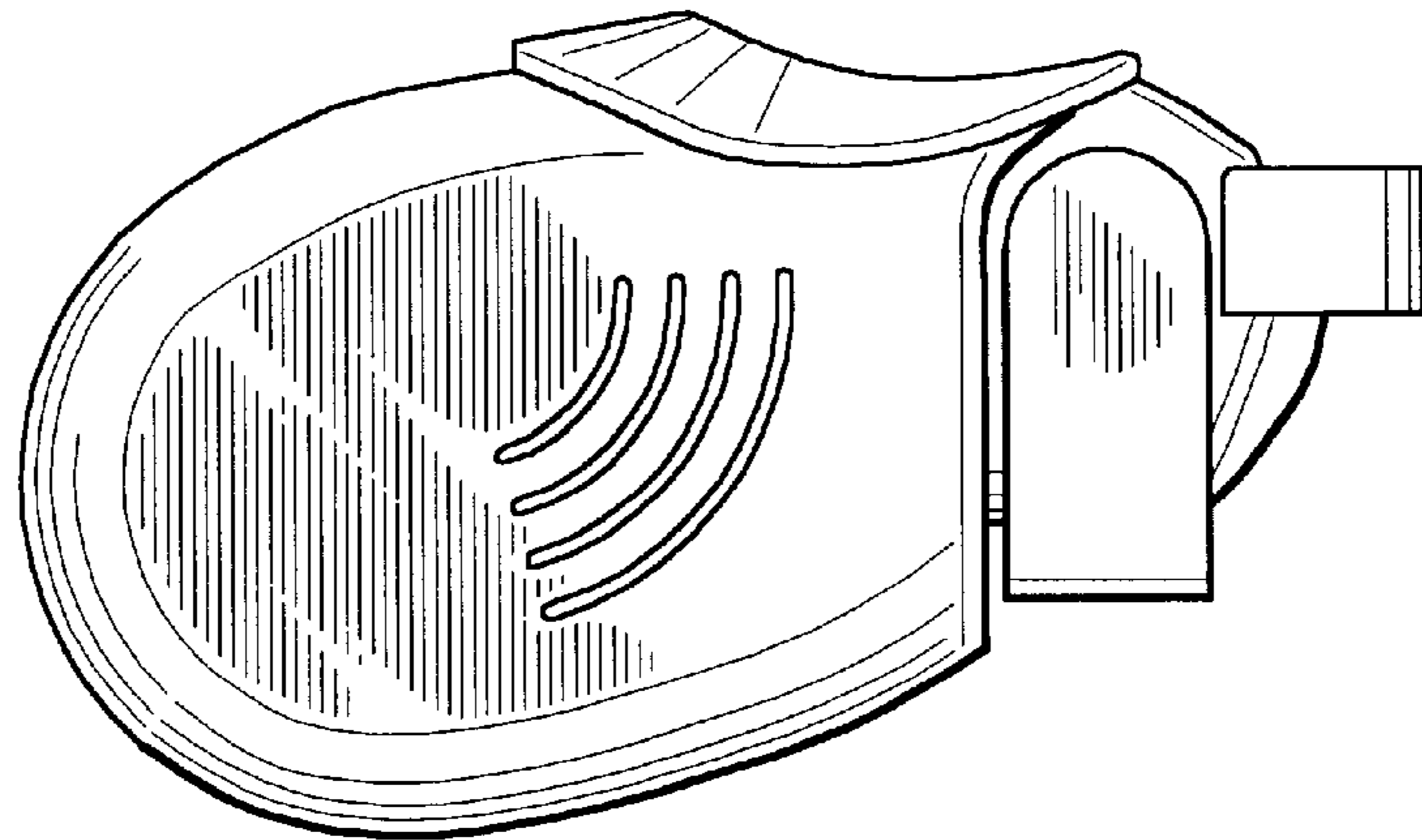


FIG. 10

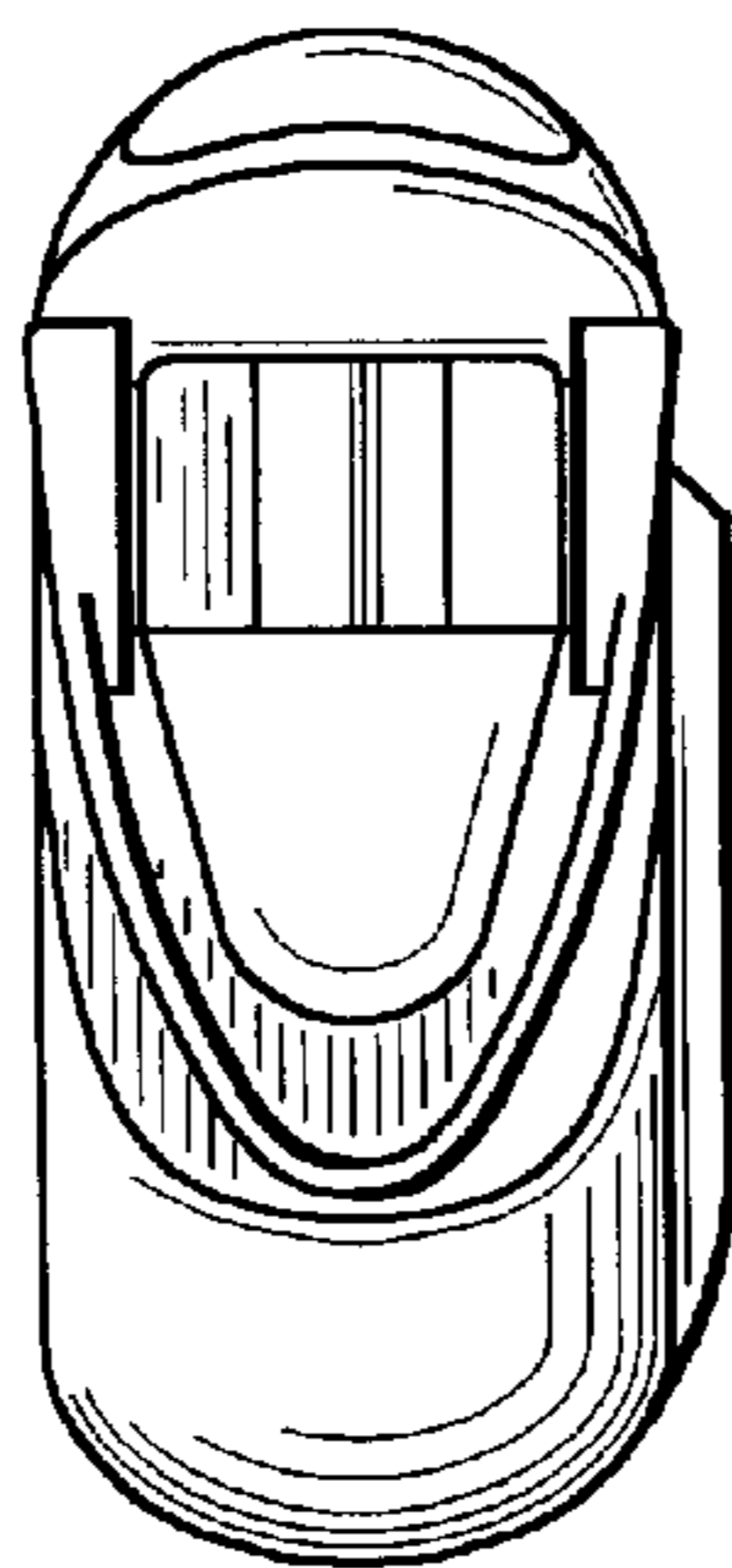


FIG. 11