



US00D485289S

(12) **United States Design Patent**
Hayashi

(10) **Patent No.:** **US D485,289 S**

(45) **Date of Patent:** **** Jan. 13, 2004**

(54) **SINGLE-LENS REFLEX CAMERA BODY**

(75) Inventor: **Tatsuyuki Hayashi**, Saitama (JP)

(73) Assignee: **Pentax Corporation**, Tokyo (JP)

(**) Term: **14 Years**

(21) Appl. No.: **29/174,746**

(22) Filed: **Jan. 24, 2003**

(30) **Foreign Application Priority Data**

Jul. 24, 2002 (JP) 2002-019818

(51) **LOC (7) Cl.** **16-05**

(52) **U.S. Cl.** **D16/219; D16/217**

(58) **Field of Search** **D16/200-204,**
D16/208, 209, 216-218, 219; 396/354-359,
535-541

(56) **References Cited**

U.S. PATENT DOCUMENTS

4,692,010 A * 9/1987 Kataoka et al. 396/354
D318,678 S * 7/1991 Tanaka et al. D16/217
D388,109 S * 12/1997 Kimura et al. D16/217

D411,218 S * 6/1999 Kumakura et al. D16/217
D433,435 S * 11/2000 Hamamura D16/219
D451,940 S * 12/2001 Haga D16/217

FOREIGN PATENT DOCUMENTS

JP 1098267 1/2001

* cited by examiner

Primary Examiner—Adir Aronovich

(74) *Attorney, Agent, or Firm*—Sughrue Mion, PLLC

(57) **CLAIM**

The ornamental design for a single-lens reflex camera body, as shown.

DESCRIPTION

FIG. 1 is a perspective view of the top of a single-lens reflex camera body showing my new design;
FIG. 2 is a front elevational view thereof;
FIG. 3 is a rear elevational view thereof;
FIG. 4 is a right side elevational view thereof;
FIG. 5 is a left side elevational view thereof;
FIG. 6 is a top plan view thereof; and,
FIG. 7 is a bottom plan view thereof.

1 Claim, 4 Drawing Sheets

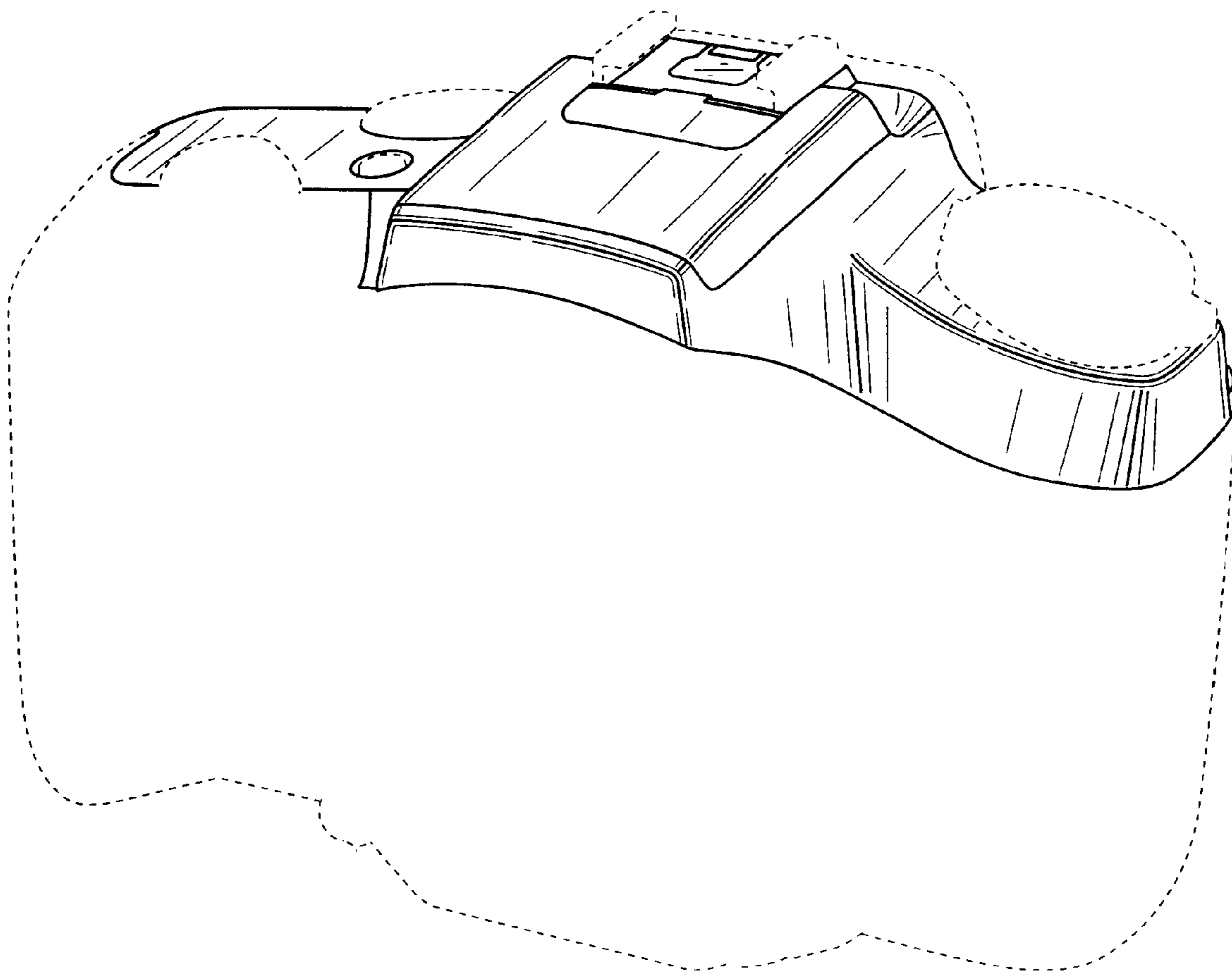


FIG. 1

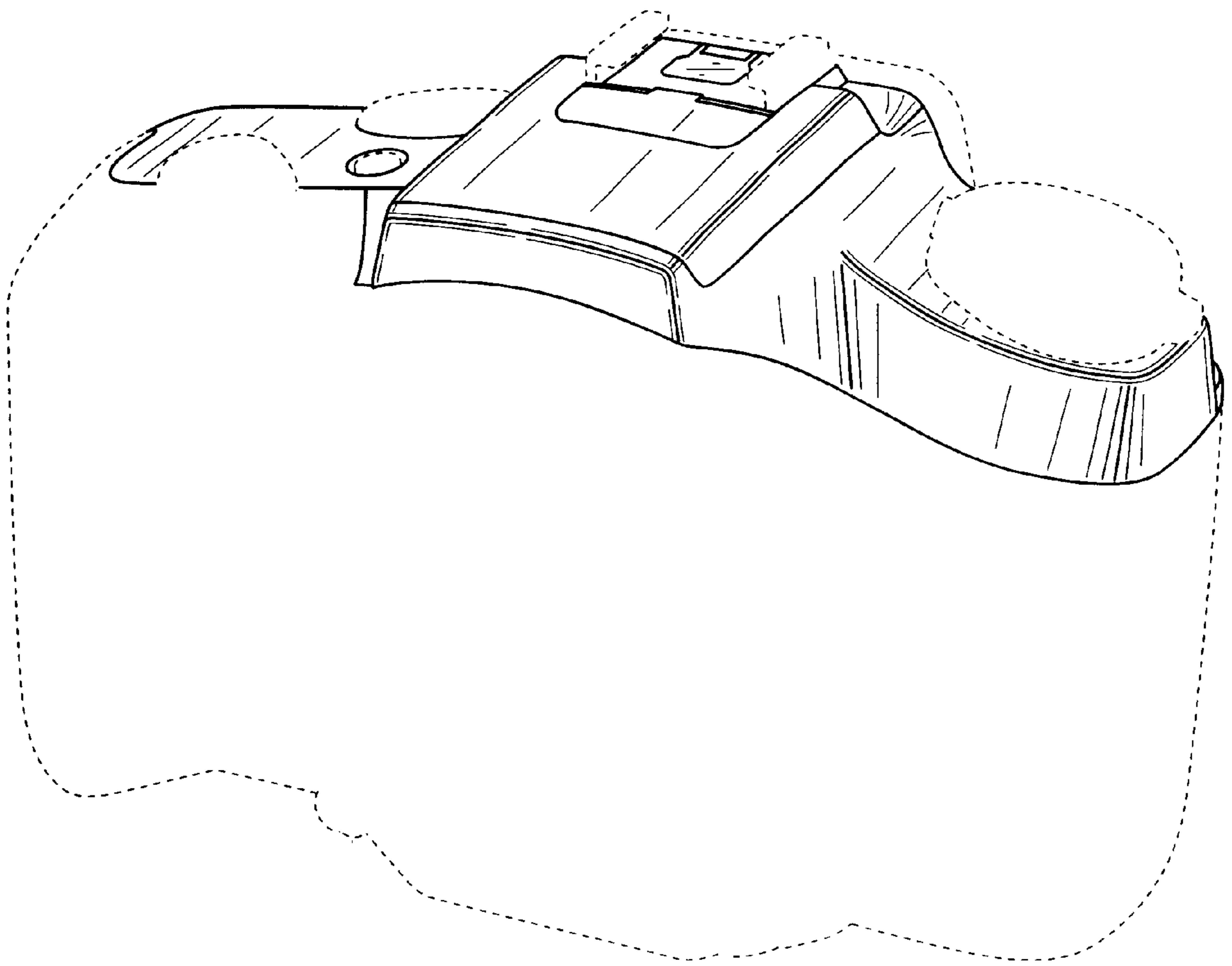


FIG. 2

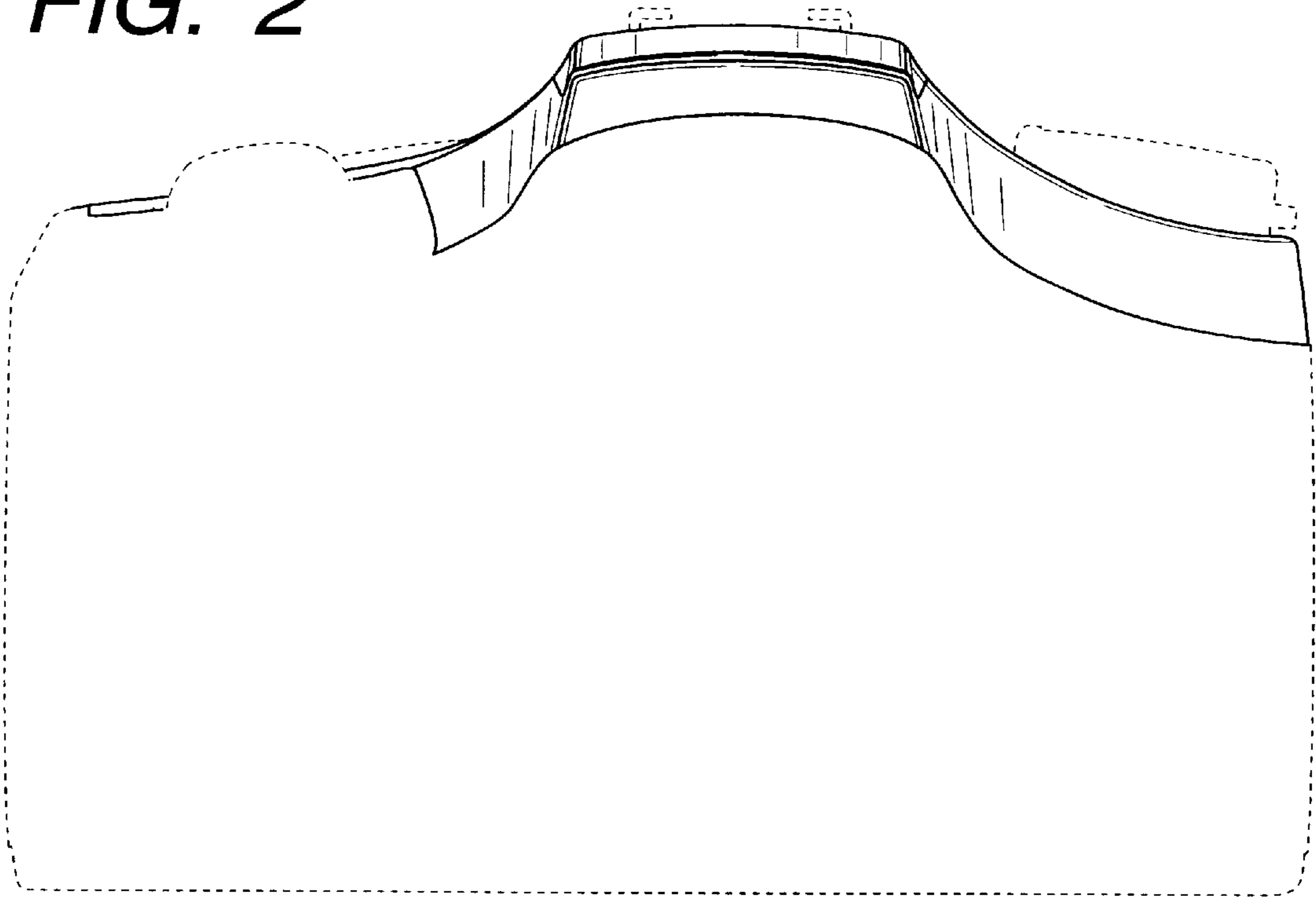


FIG. 3

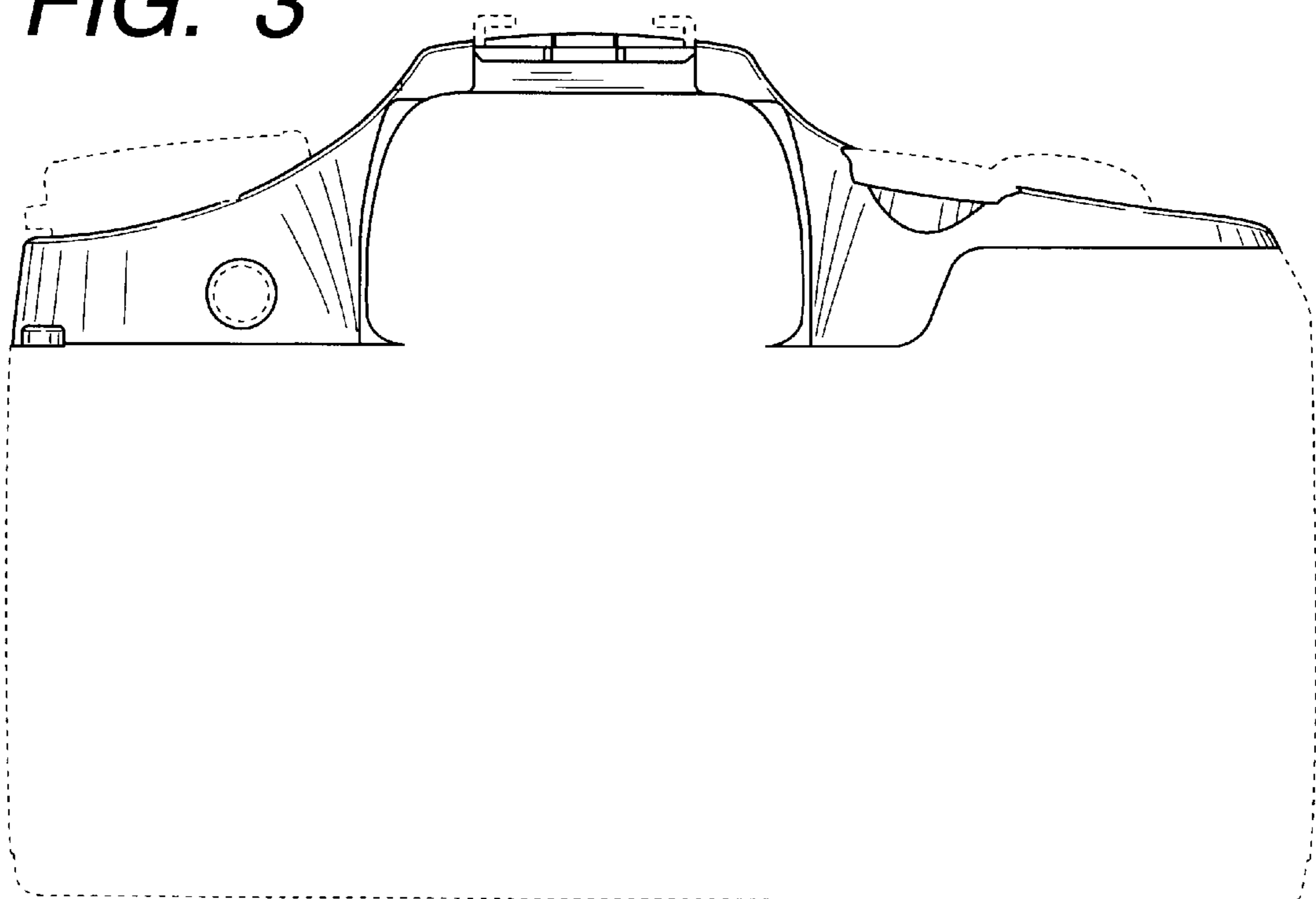


FIG. 4

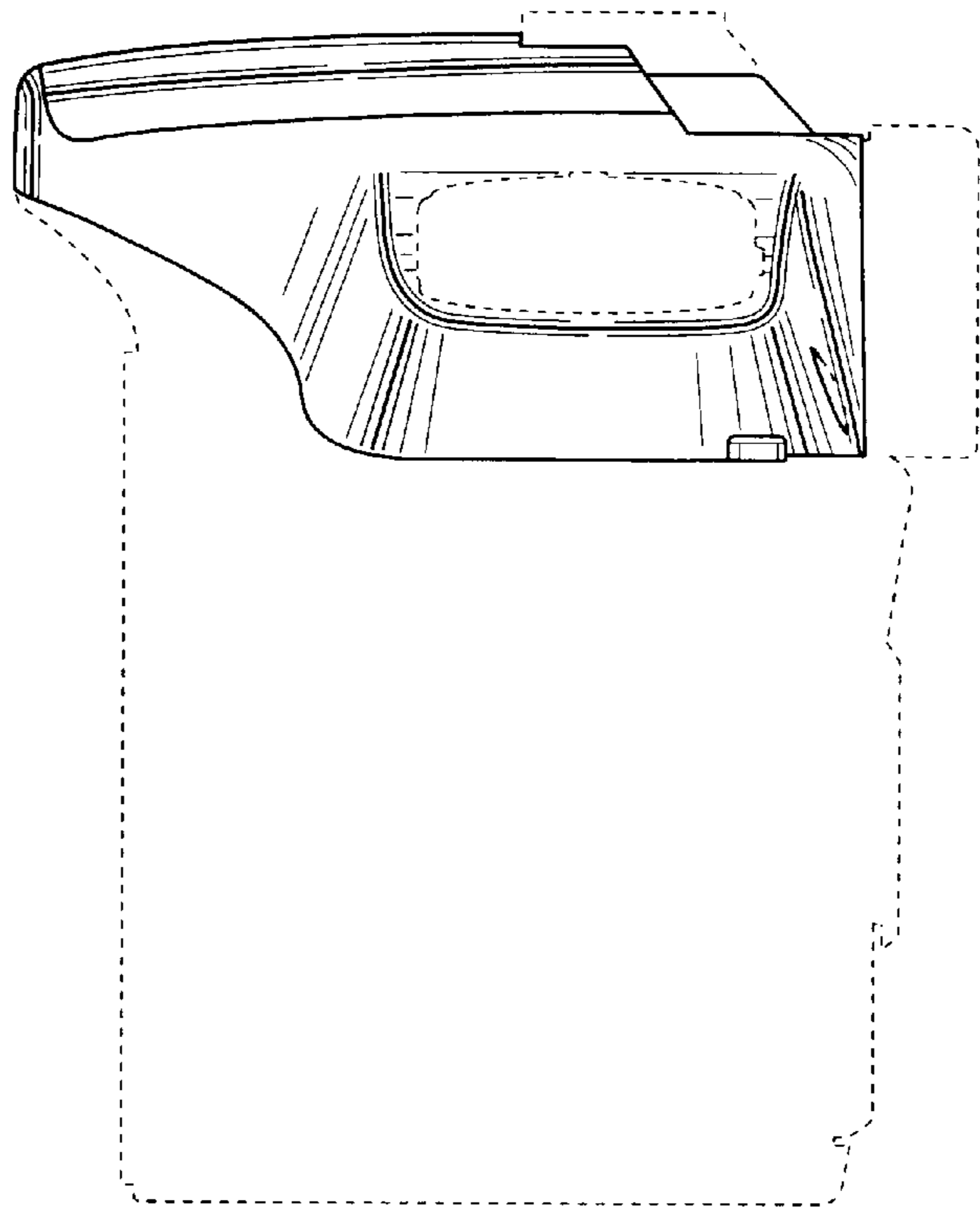


FIG. 5

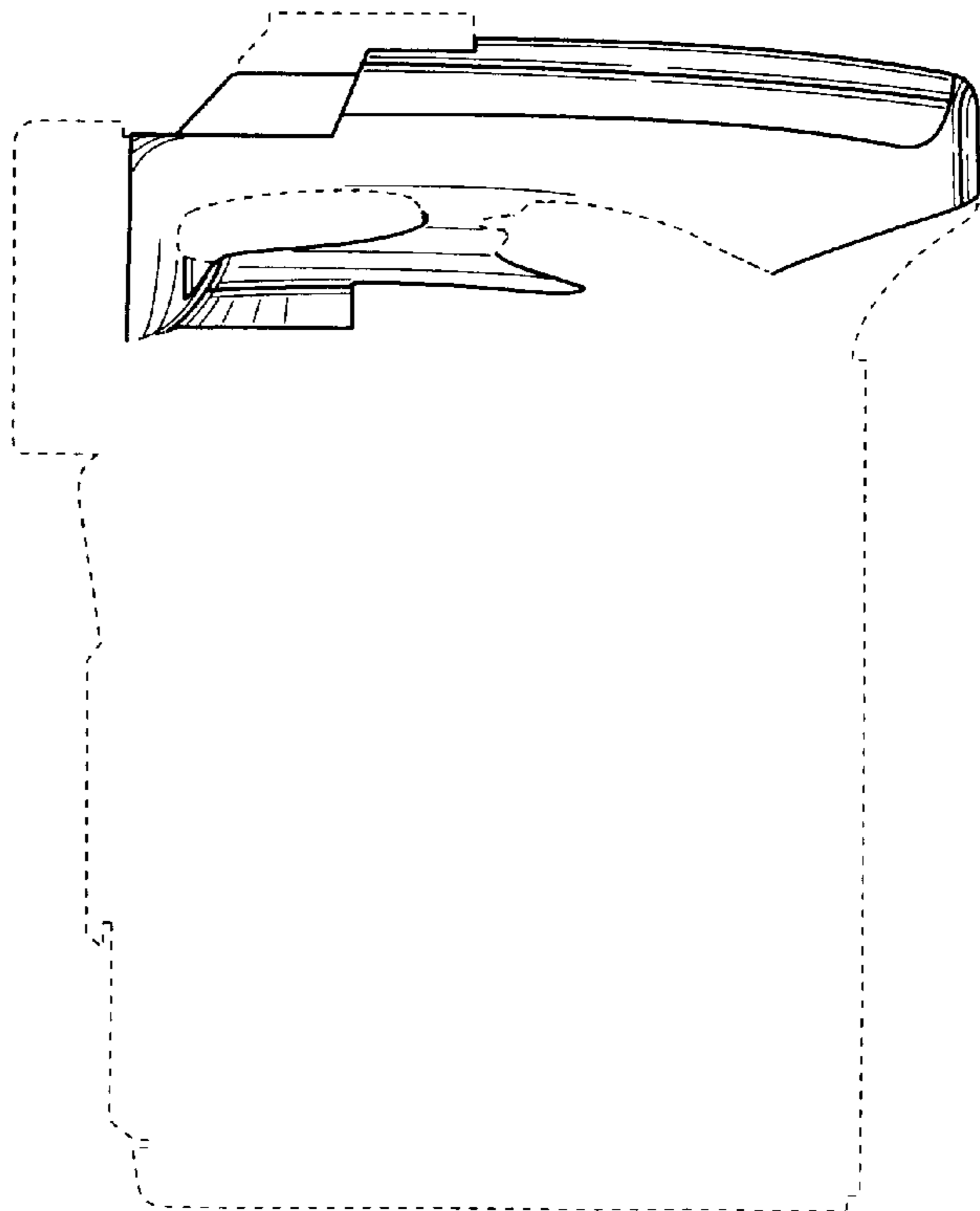


FIG. 6

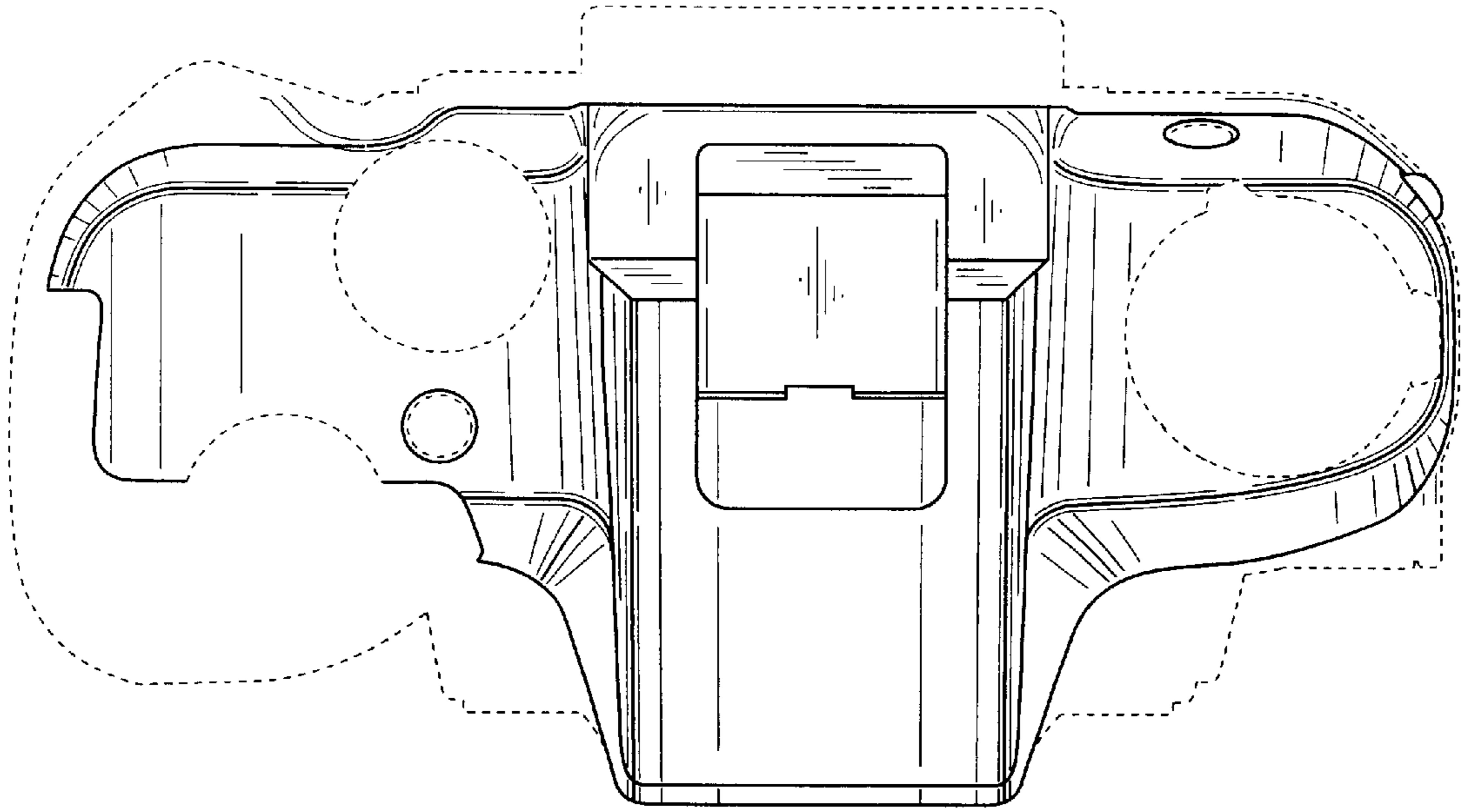


FIG. 7

