



US00D485288S

(12) **United States Design Patent**
Watarai

(10) **Patent No.:** **US D485,288 S**
(45) **Date of Patent:** **** Jan. 13, 2004**

(54) **CAMERA**

(75) Inventor: **Kazuhiko Watarai, Tamai (JP)**

(73) Assignee: **Olympus Corporation, Tokyo (JP)**

(**) Term: **14 Years**

(21) Appl. No.: **29/174,841**

(22) Filed: **Jan. 23, 2003**

(30) **Foreign Application Priority Data**

Jul. 30, 2002 (JP) 2002-020402
Jul. 30, 2002 (JP) 2002-020403

(51) **LOC (7) Cl.** **16-01**

(52) **U.S. Cl.** **D16/212; D16/202**

(58) **Field of Search** **D16/200–205,**
D16/208, 209, 212, 218; 396/349, 448,
535–541

(56) **References Cited**

U.S. PATENT DOCUMENTS

4,556,304 A * 12/1985 Fukuda 396/448
D323,336 S * 1/1992 Moro et al. D16/209
D365,355 S * 12/1995 Horikiri et al. D16/209
D392,660 S * 3/1998 Kim et al. D16/209
D404,412 S * 1/1999 Yoshii et al. D16/202
D465,800 S * 11/2002 Suzuki et al. D16/202

* cited by examiner

Primary Examiner—Adir Aronovich

(74) *Attorney, Agent, or Firm*—Hogan & Hartson LLP

(57) **CLAIM**

The ornamental design for a camera, as shown and described.

DESCRIPTION

FIG. 1 is a left, top, front perspective view of a camera.
FIG. 2 is a right, top, rear perspective view of the camera thereof.
FIG. 3 is a front elevation view of the camera thereof.
FIG. 4 is a left side elevation view of the camera thereof.
FIG. 5 is a right side elevation view of the camera thereof.
FIG. 6 is a rear elevation view of the camera thereof.
FIG. 7 is a top plan view of the camera thereof.
FIG. 8 is a bottom plan view of the camera thereof.
FIG. 9 is left, top, front perspective view of the camera with front door open and lens extended.
FIG. 10 is front elevation view of the camera with front door open and lens extended of FIG. 9.
FIG. 11 is left side elevation view of the camera with front door open and lens extended of FIG. 9.
FIG. 12 is a right side elevation view of the camera with front door open and lens extended of FIG. 9.
FIG. 13 is a rear elevation view of the camera with front door open and lens extended of FIG. 9.
FIG. 14 is a top plan view of the camera with front door open and lens extended of FIG. 9; and,
FIG. 15 is a bottom plan view of the camera with front door open and lens extended of FIG. 9.

1 Claim, 15 Drawing Sheets

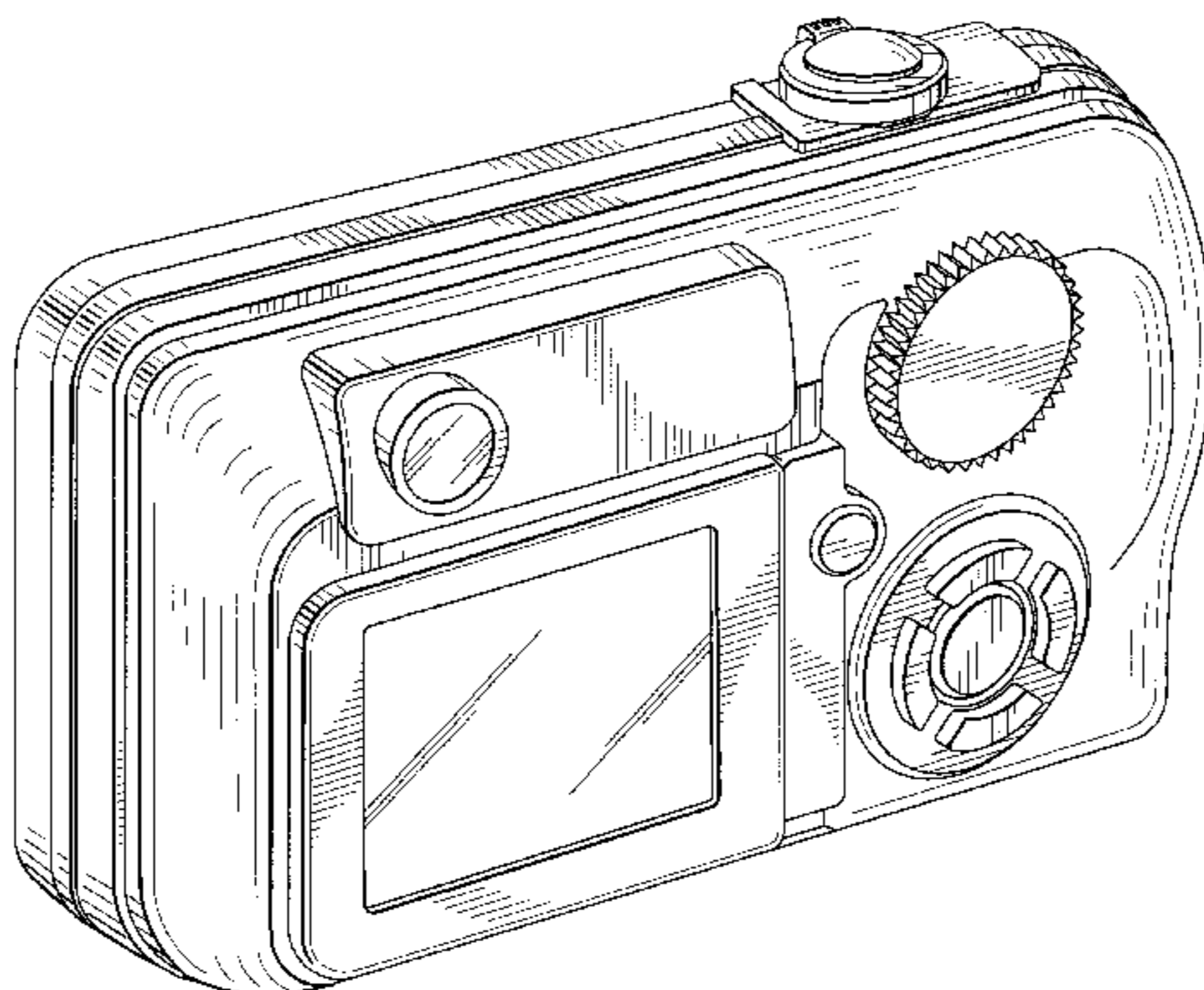
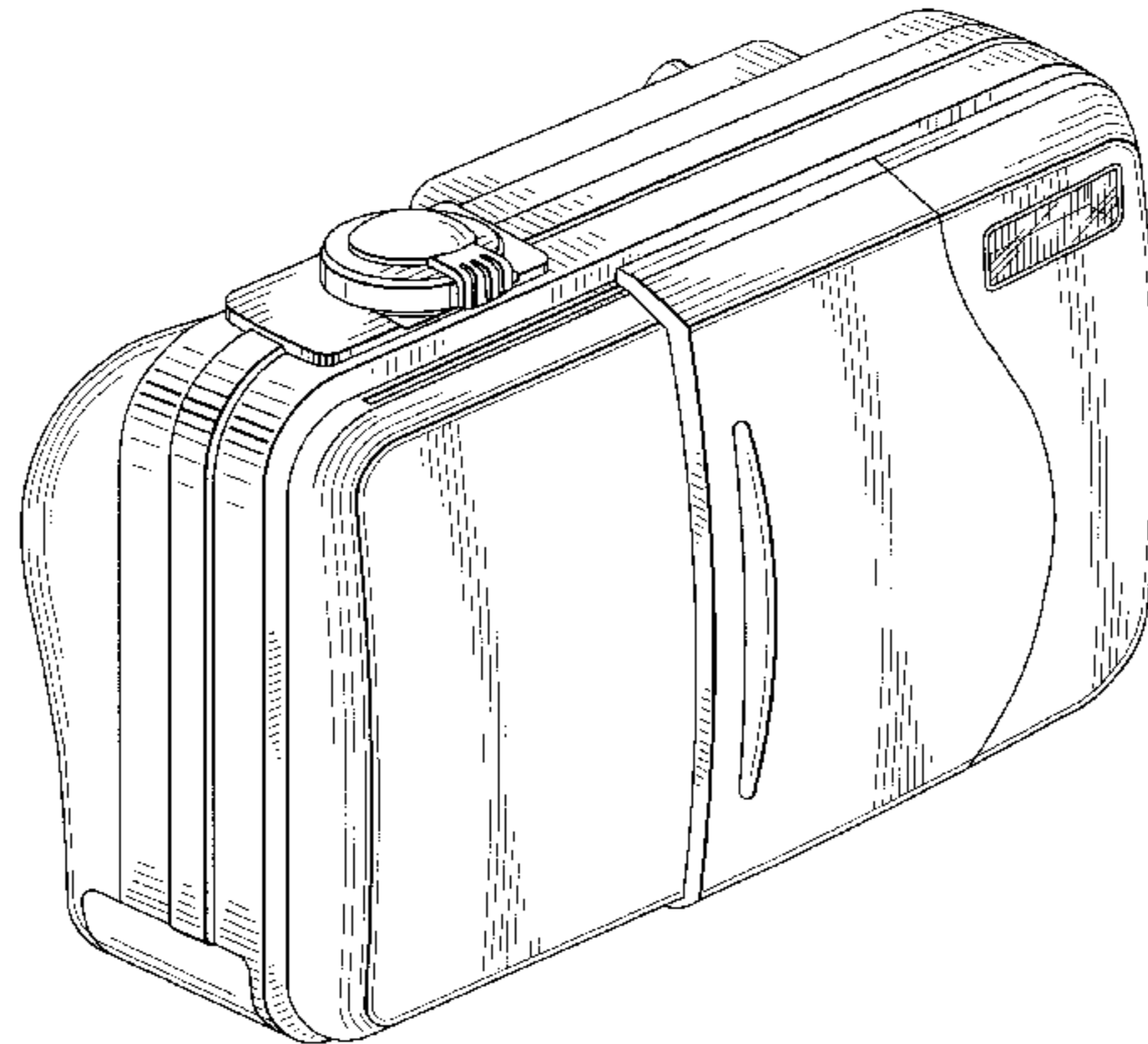
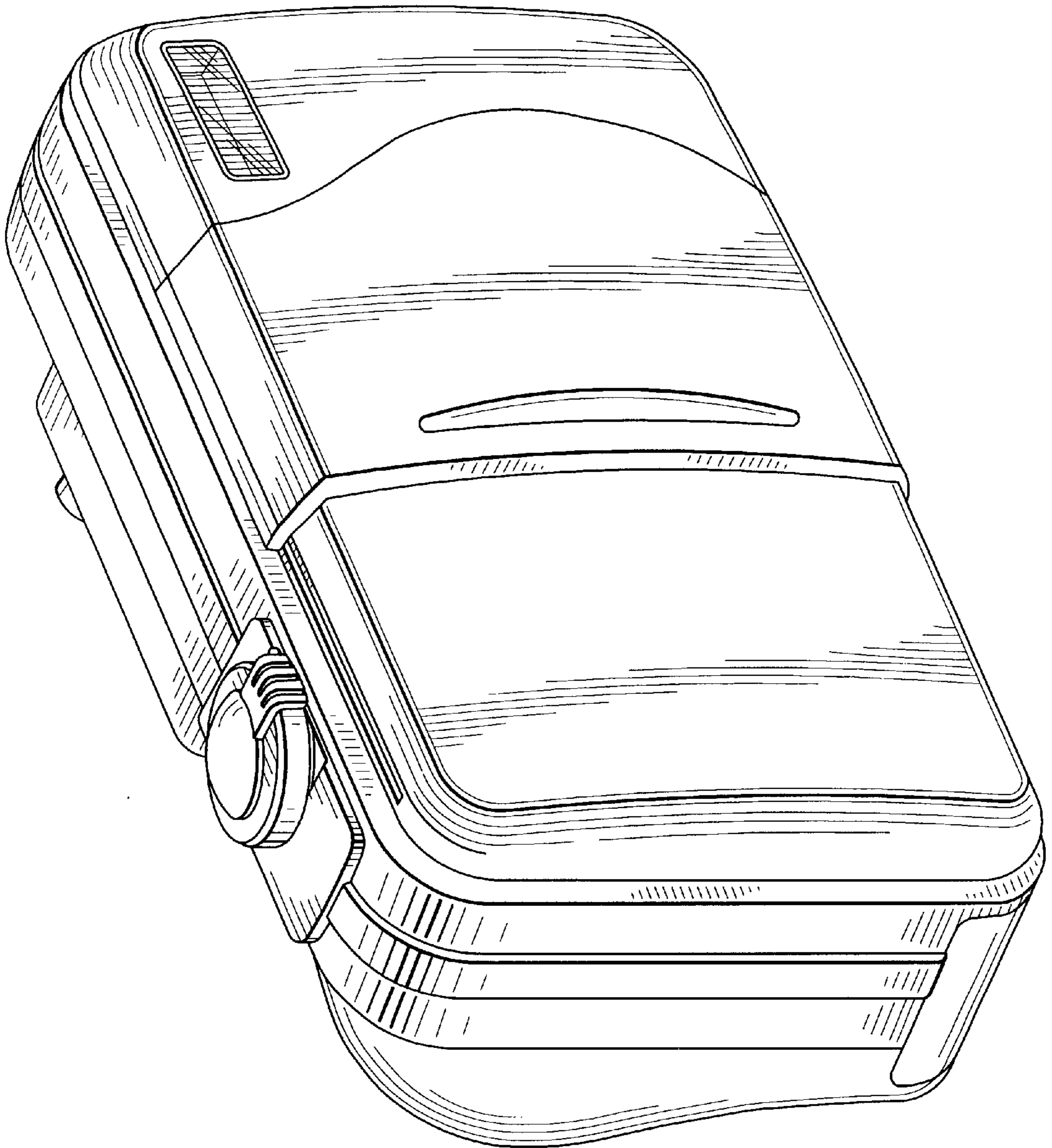


FIG. 1



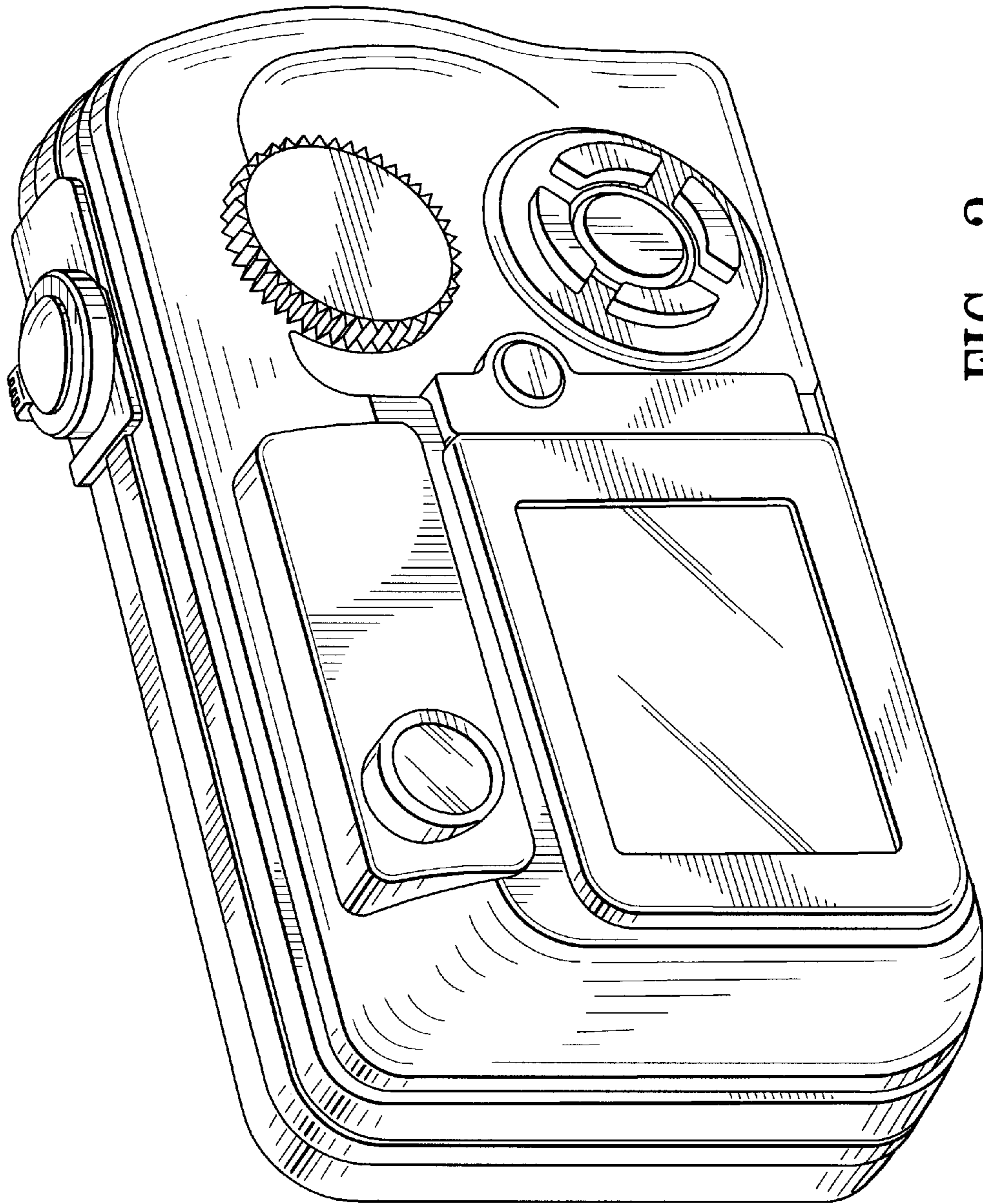


FIG. 2

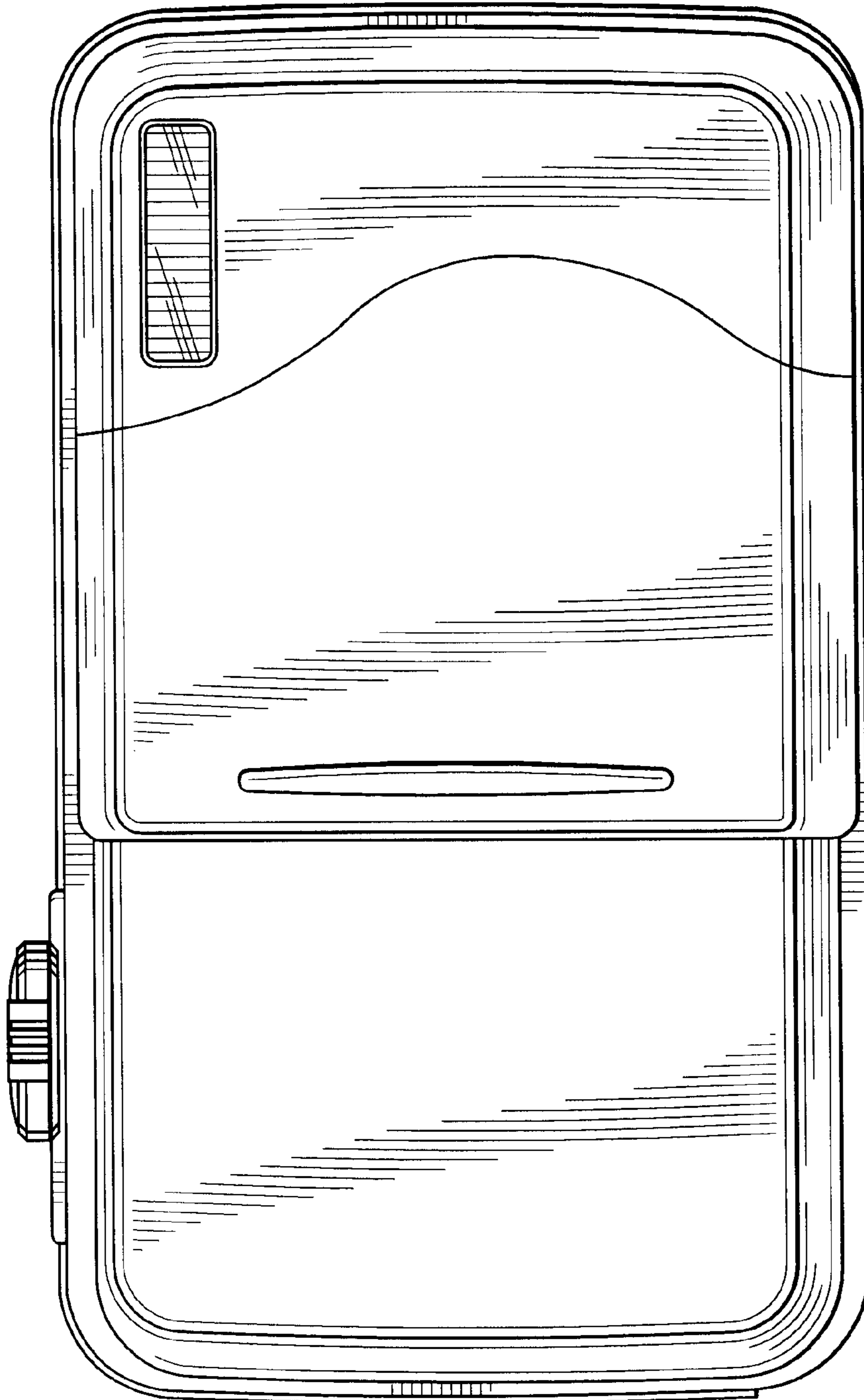


FIG. 3

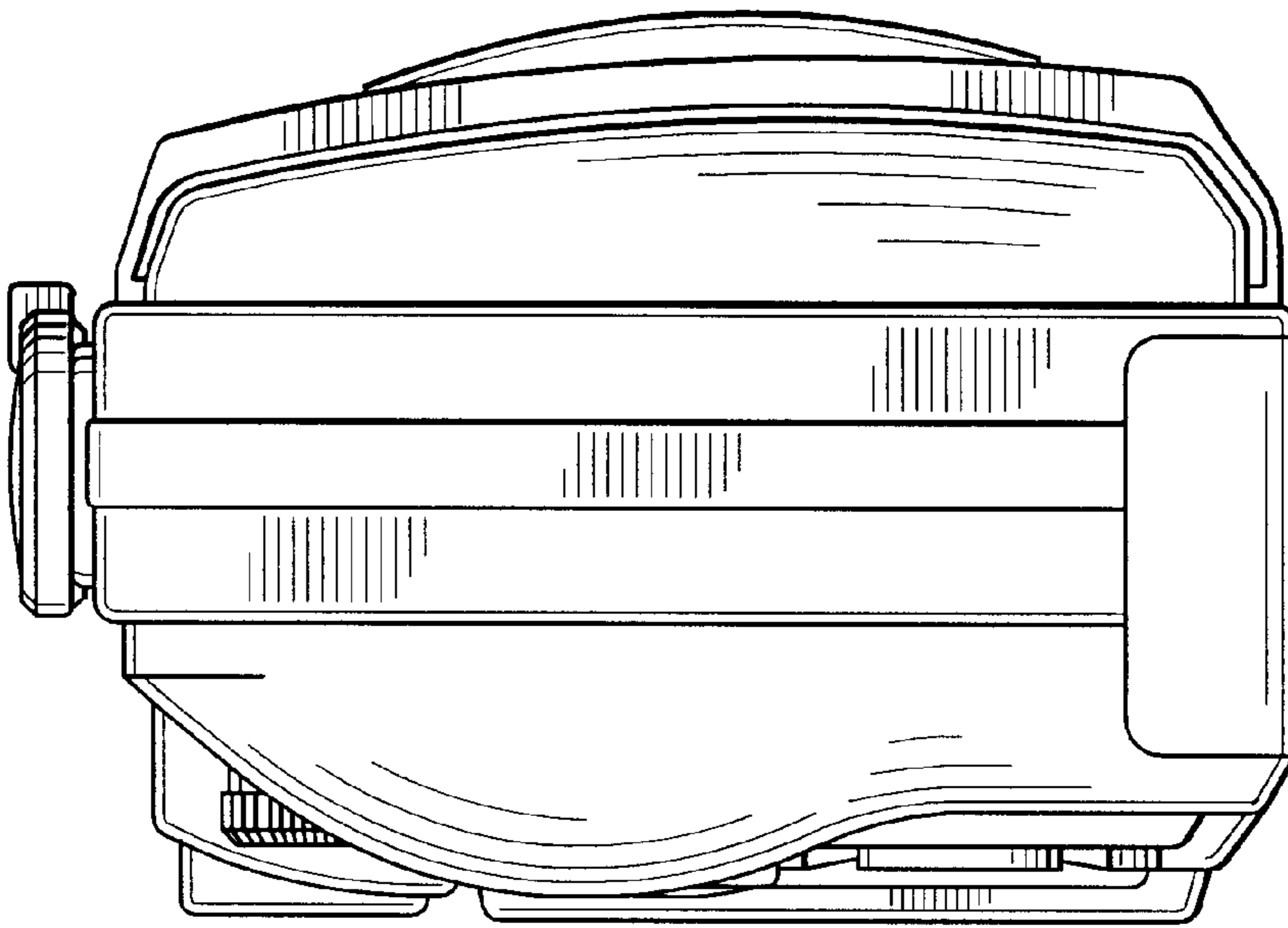


FIG. 4

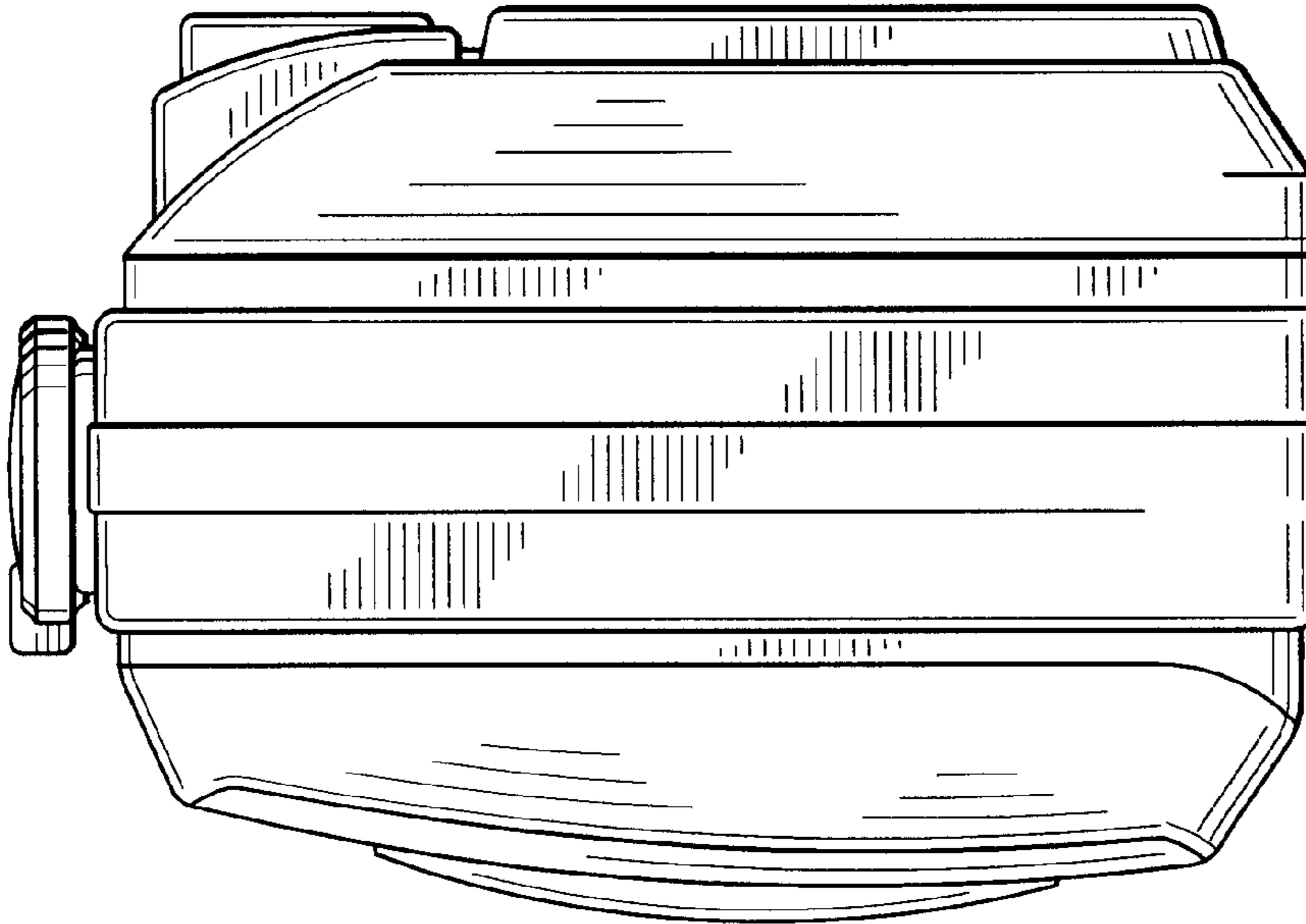


FIG. 5

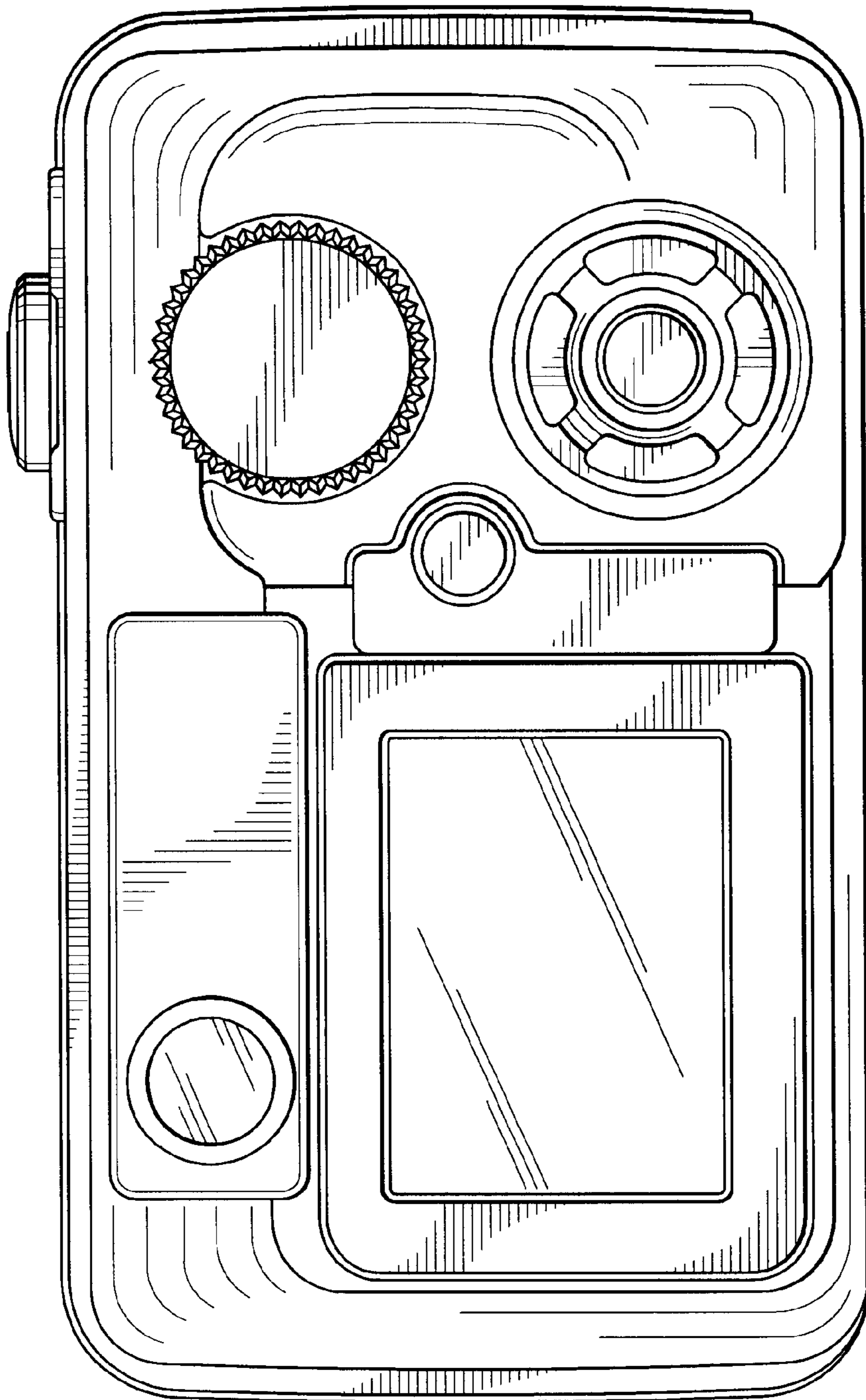


FIG. 6

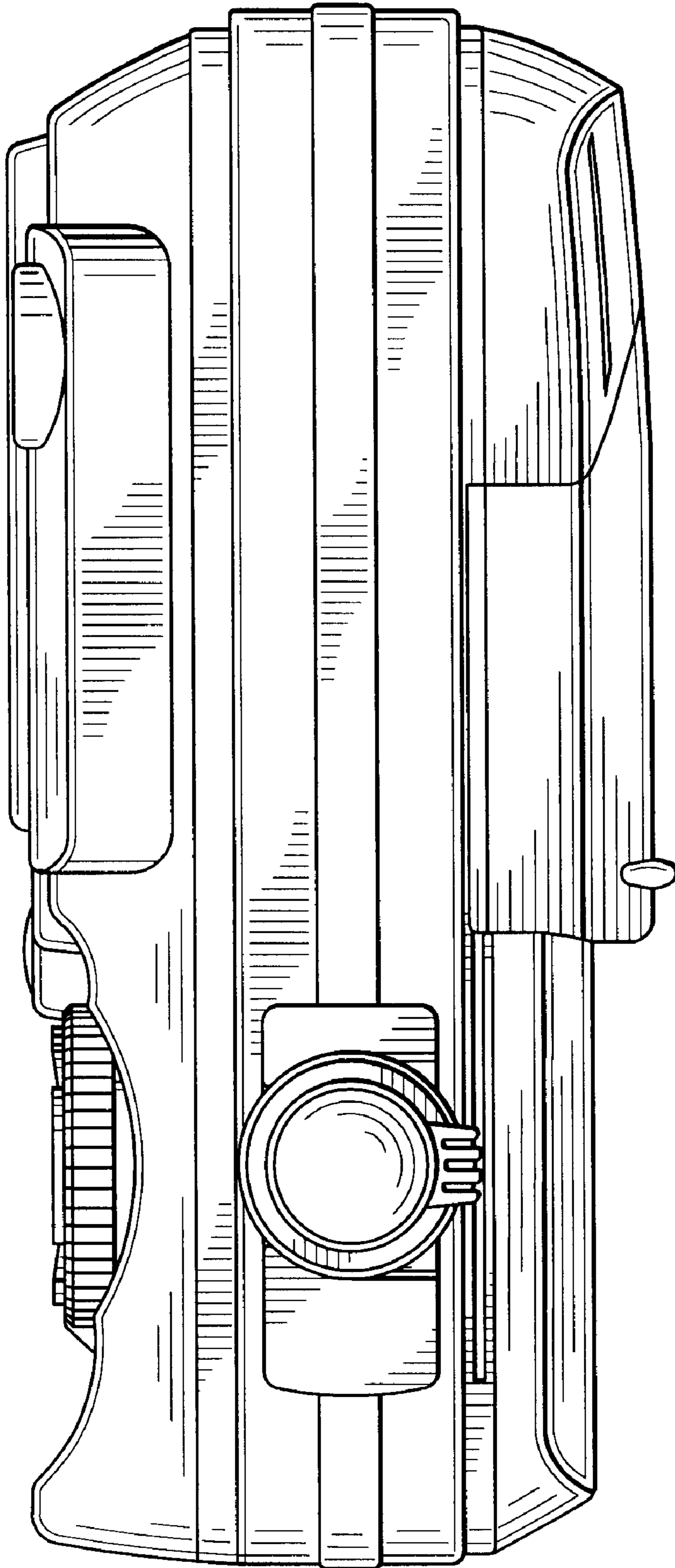


FIG. 7

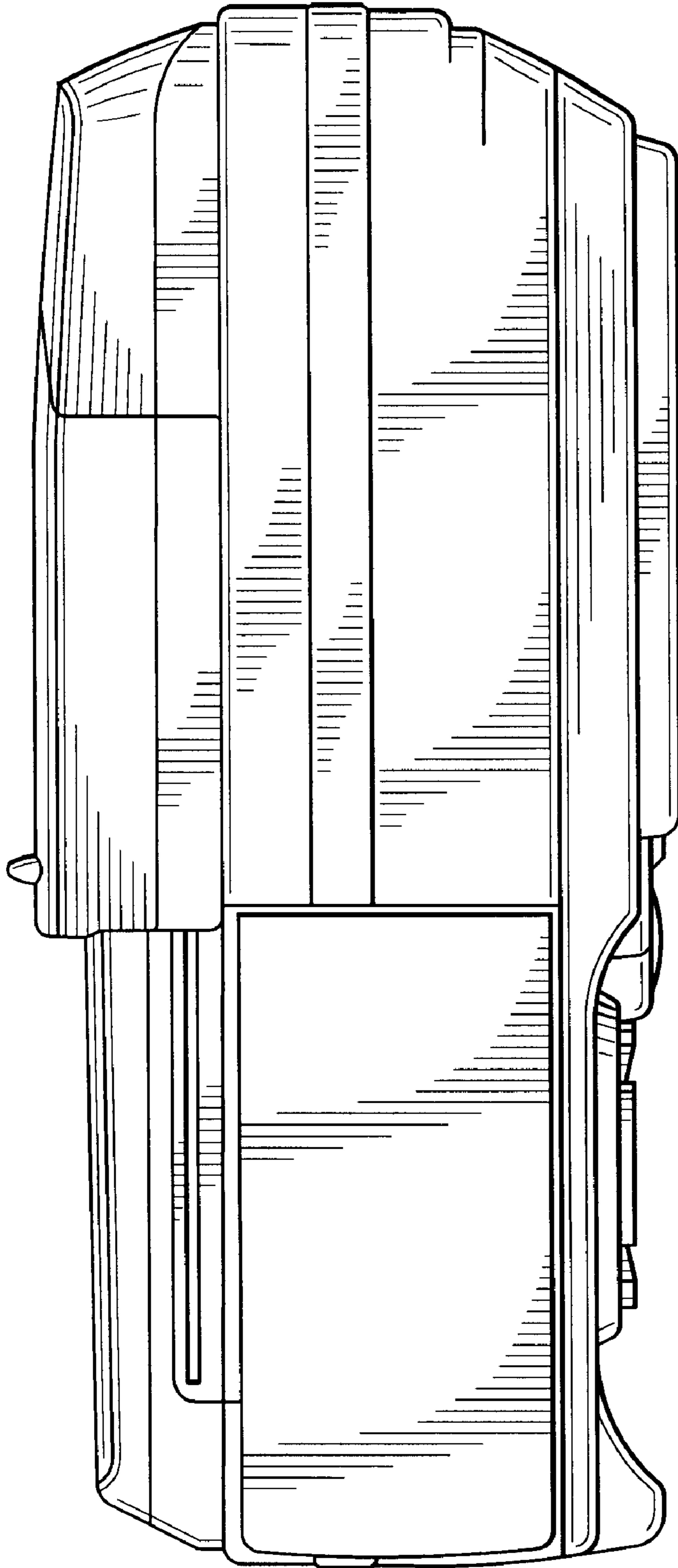


FIG. 8

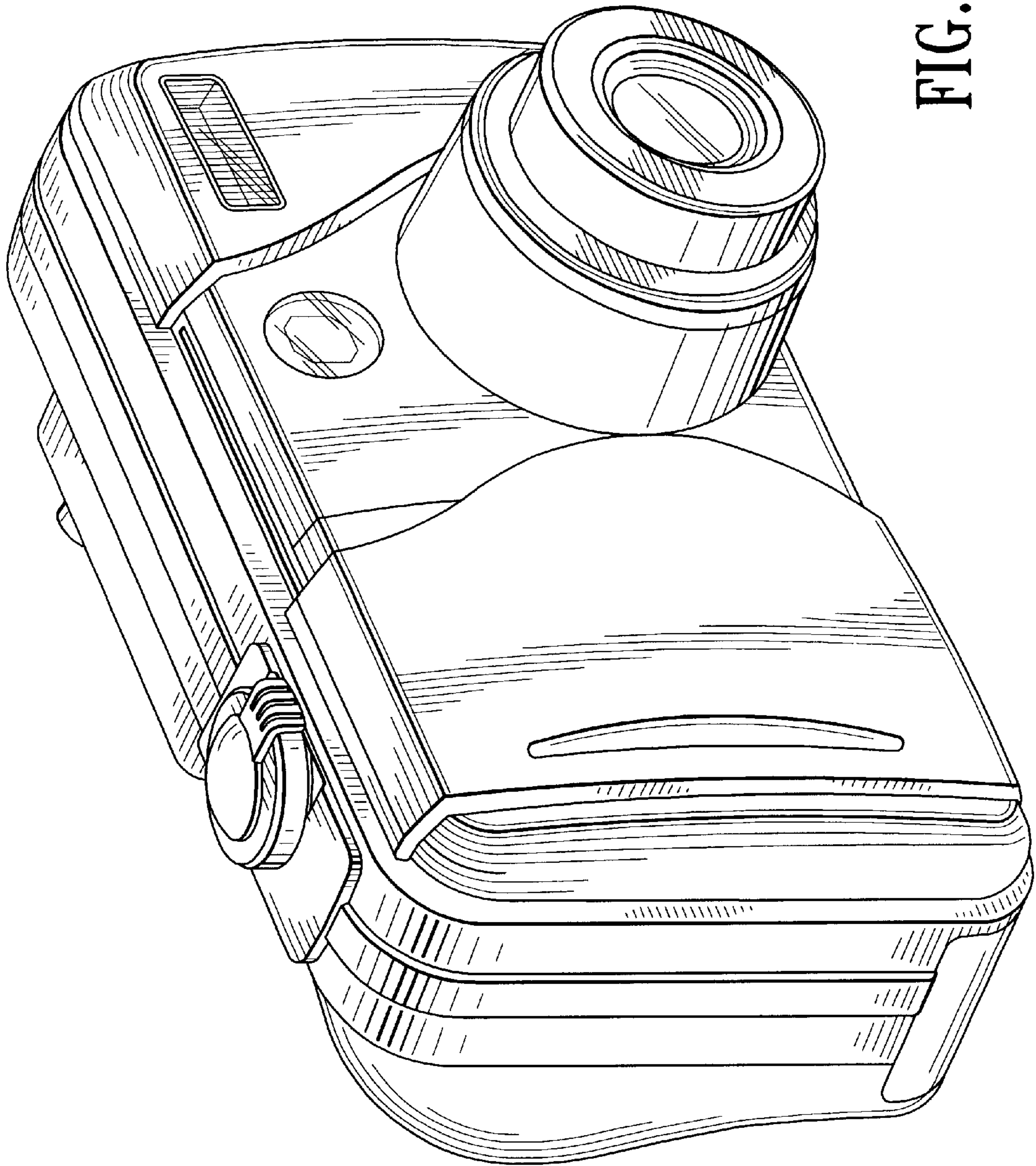


FIG. 9

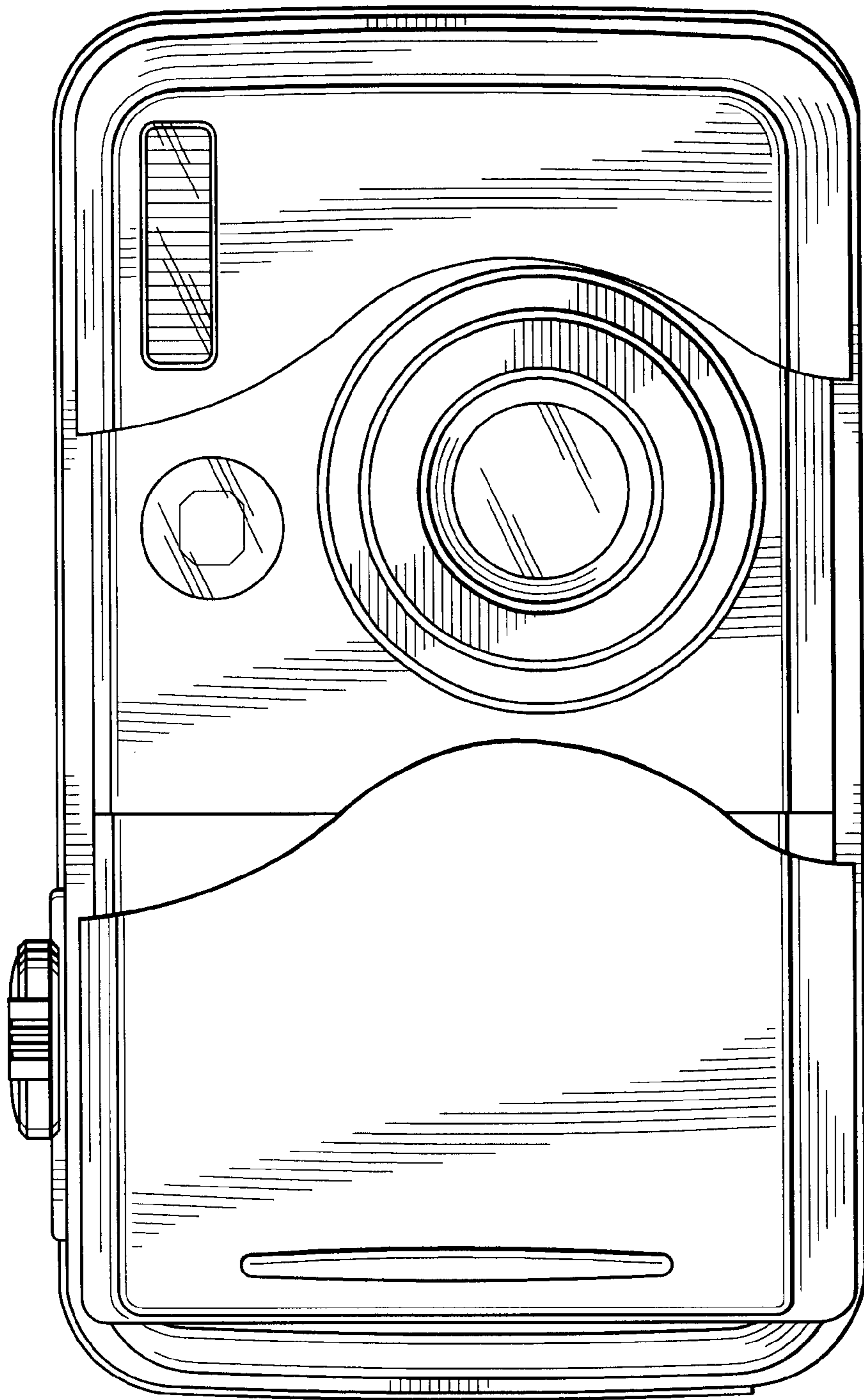


FIG. 10

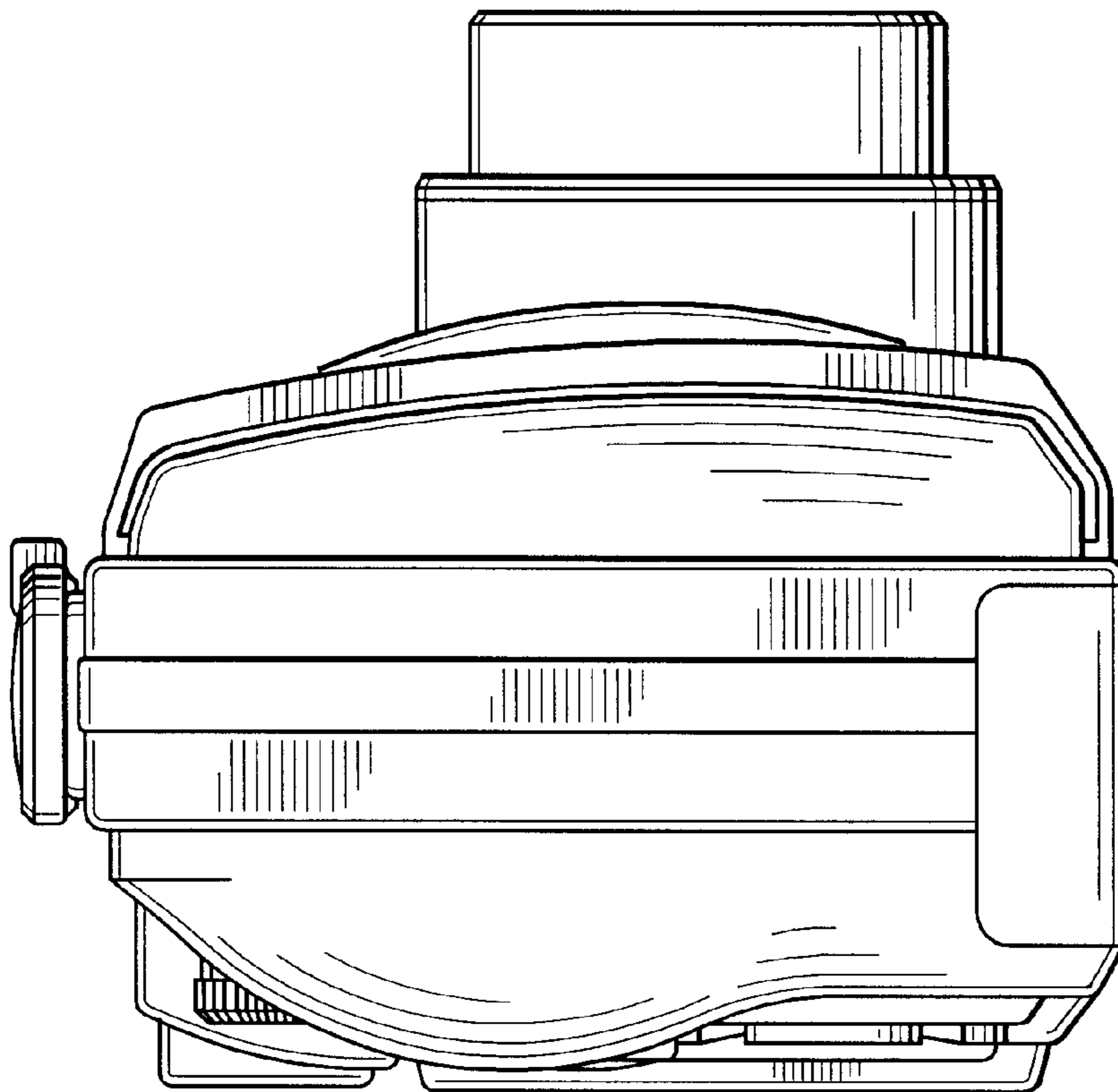


FIG. 11

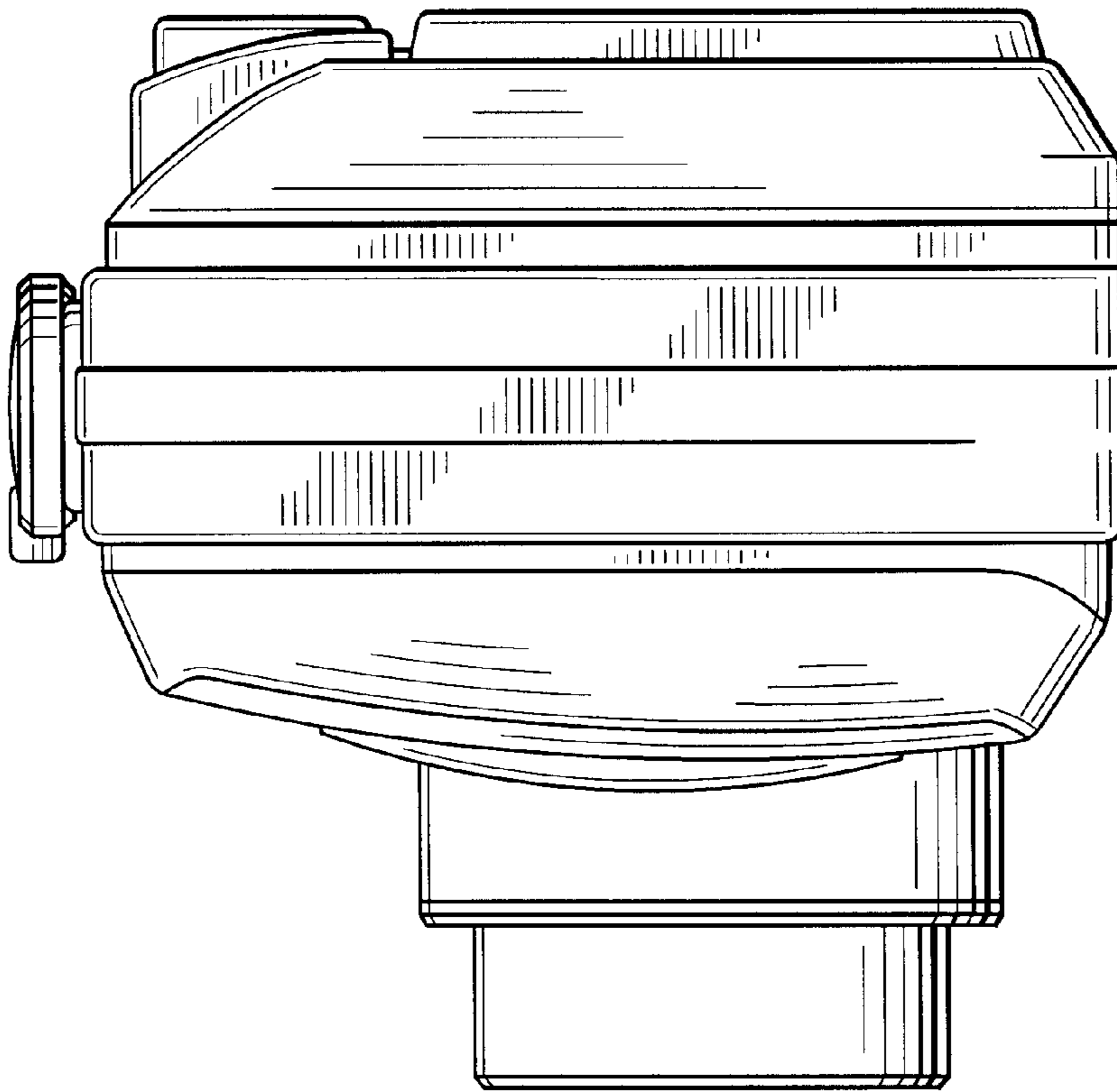


FIG. 12

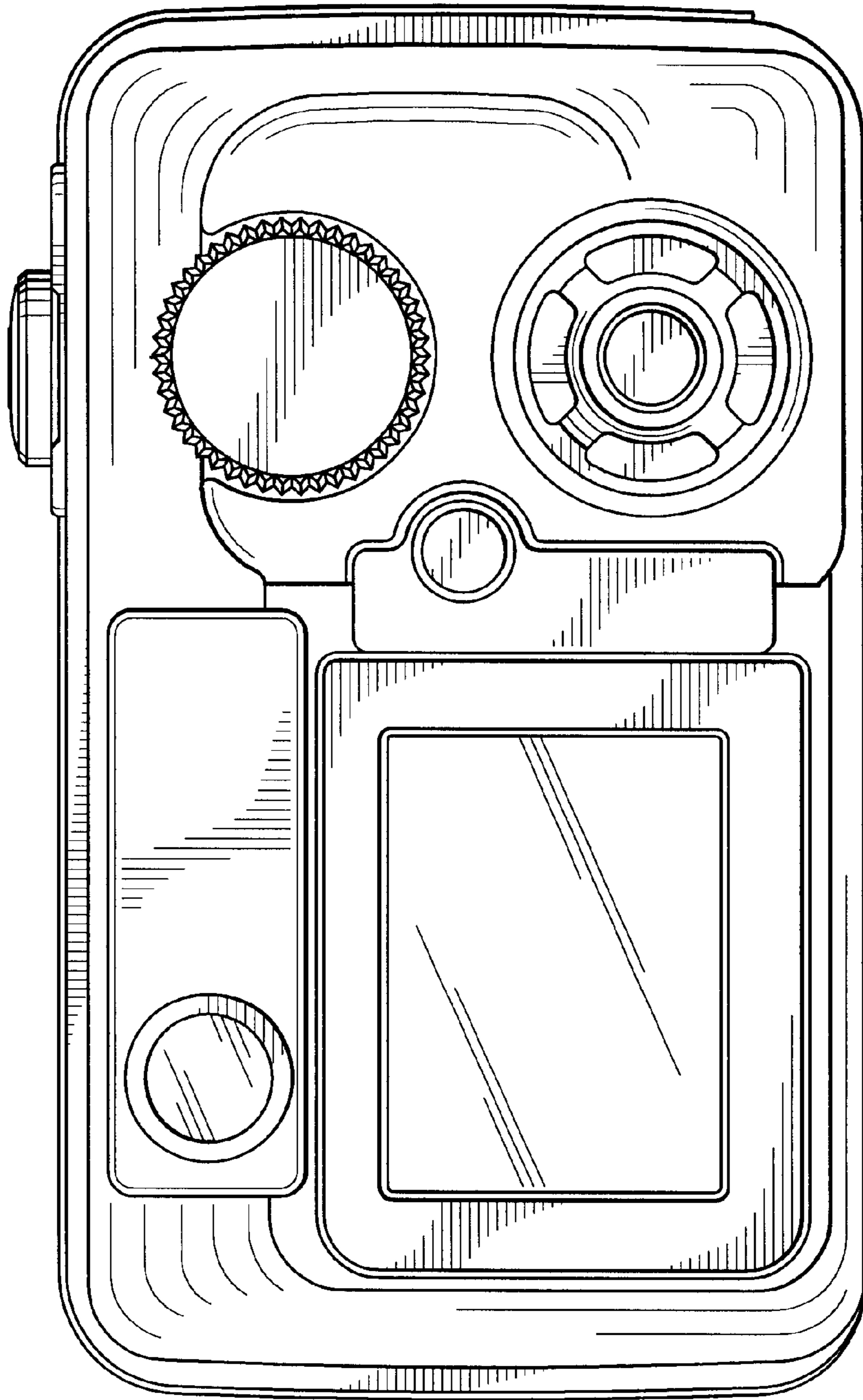


FIG. 13

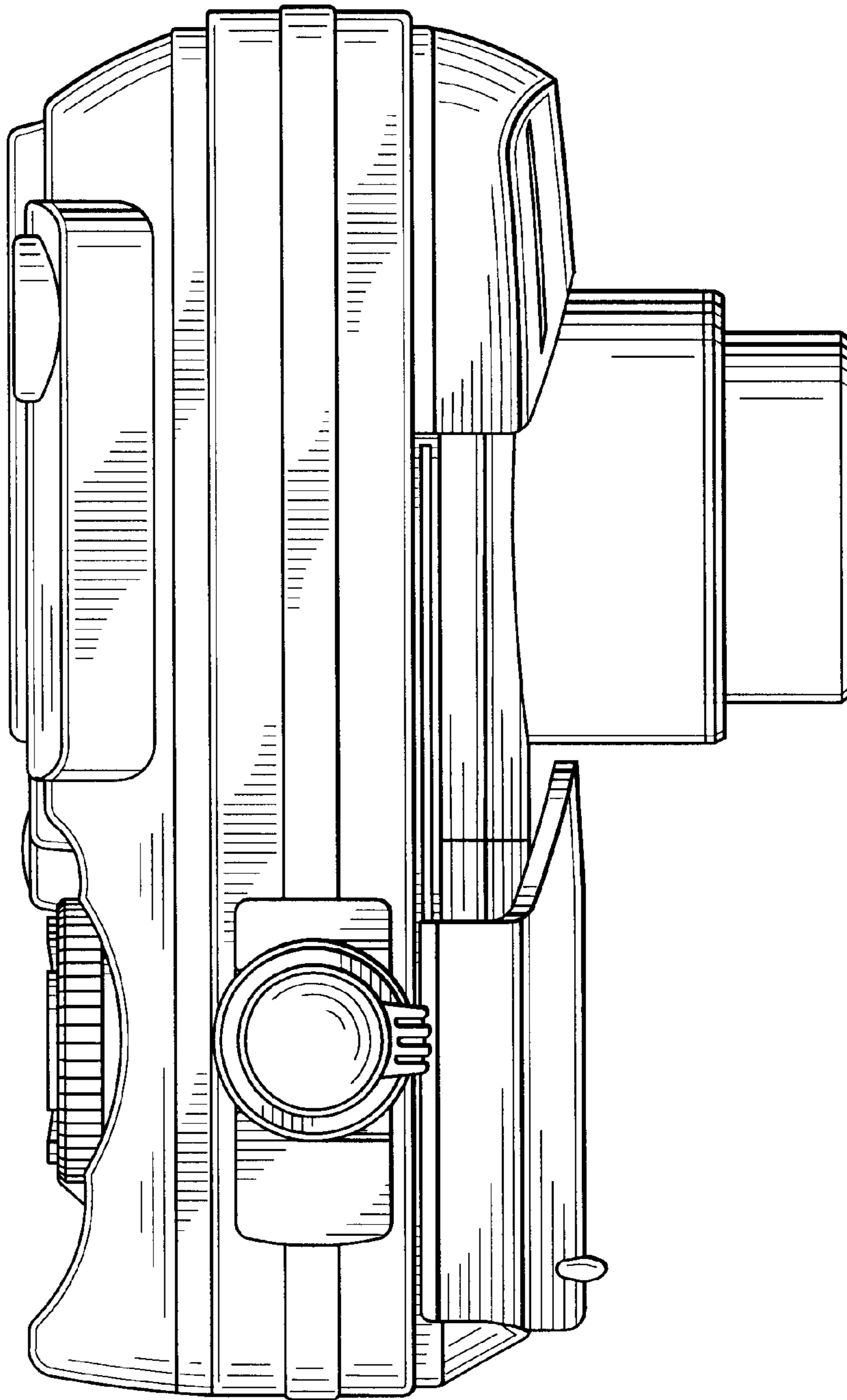


FIG. 14

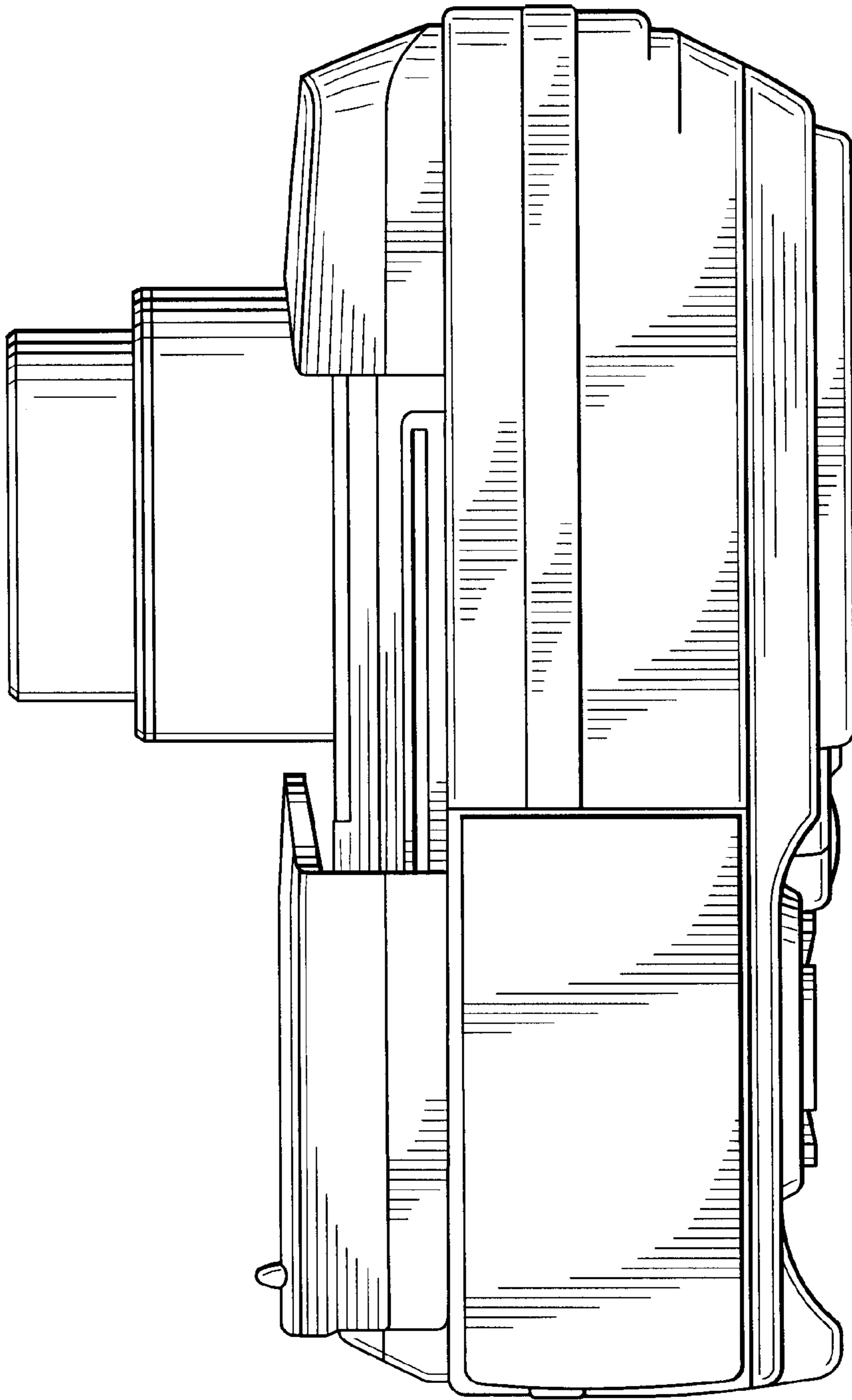


FIG. 15