



US00D485285S

(12) **United States Design Patent**
Kramer

(10) **Patent No.:** **US D485,285 S**

(45) **Date of Patent:** **** Jan. 13, 2004**

(54) **OUTSIDE BRIM FOR A END TUBE CAP**

4,988,231 A * 1/1991 Pettit 403/370
D357,030 S * 4/1995 McKenna D15/143

(76) Inventor: **Hy Kramer**, 50 Carter Dr., Stamford,
CT (US) 06902

* cited by examiner

(**) Term: **14 Years**

Primary Examiner—Antoine Duval Davis
(74) *Attorney, Agent, or Firm*—Hy Kramer

(21) Appl. No.: **29/166,789**

(57) **CLAIM**

(22) Filed: **Sep. 5, 2002**

The ornamental design for an outside brim for a end tube cap, as shown and described.

(51) **LOC (7) Cl.** **15-09**

(52) **U.S. Cl.** **D15/143**

(58) **Field of Search** D15/143; D8/354;
29/234; 403/370, 336, 371; 138/89, 109,
110, 178, 44, 96 R; 285/276; 206/413,
416; 242/613.5

DESCRIPTION

This is a cap for the end of tubes which tubes are to roll up material as used in various industries such as the paper industry, the cloth industry, etc.

FIG. 1 is an outside view of the cap.

FIG. 2 is the cross section of FIG. 1.

FIG. 3 is an embodiment of FIG. 1.

FIG. 4 is an embodiment of FIGS. 1 and 3; and,

FIG. 5 is a cross section of FIGS. 3 and 4.

(56) **References Cited**

U.S. PATENT DOCUMENTS

3,690,567 A * 9/1972 Lawrence 239/591

4,977,930 A * 12/1990 Munk et al. 138/89

1 Claim, 1 Drawing Sheet

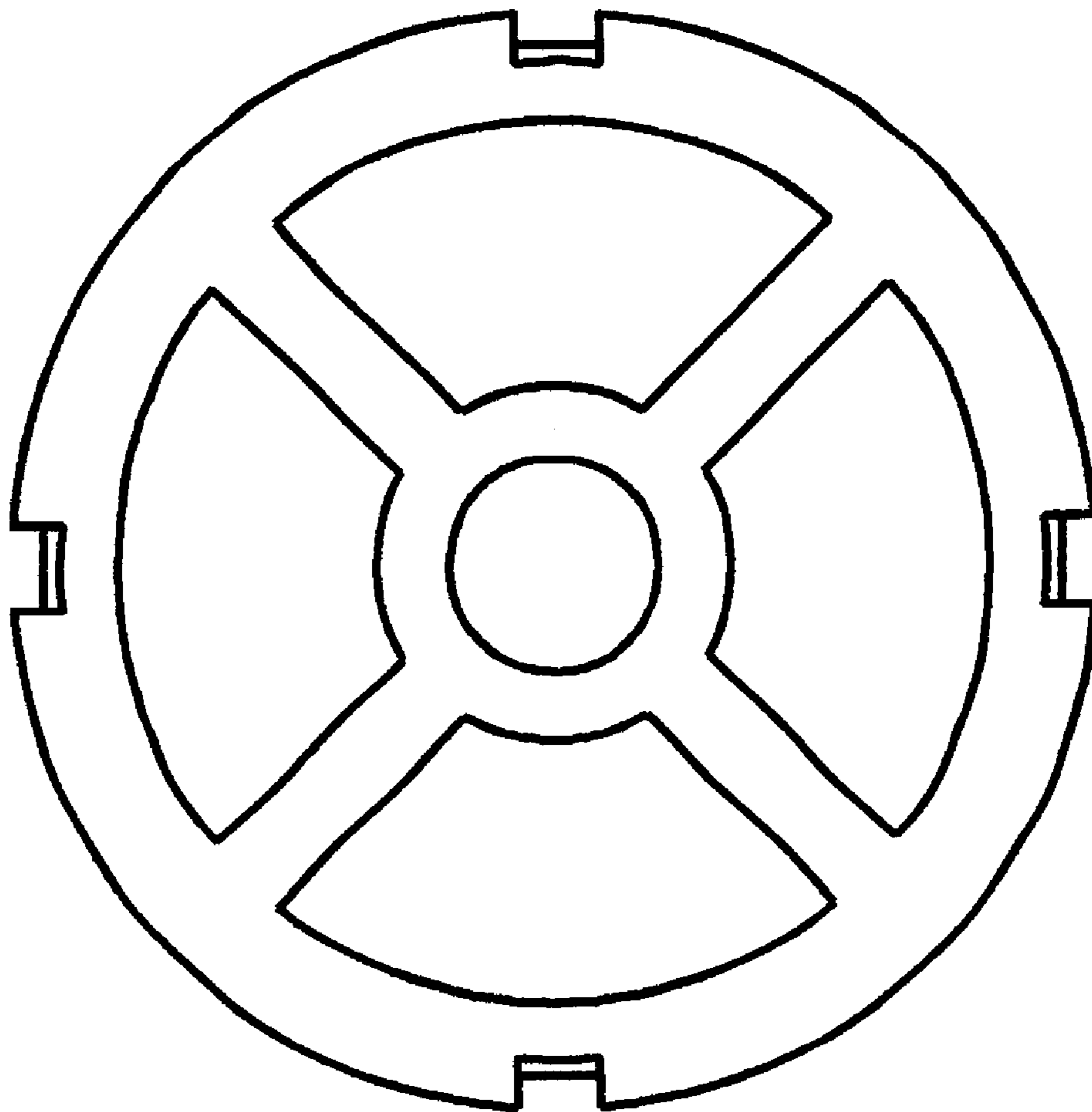


FIG. 1

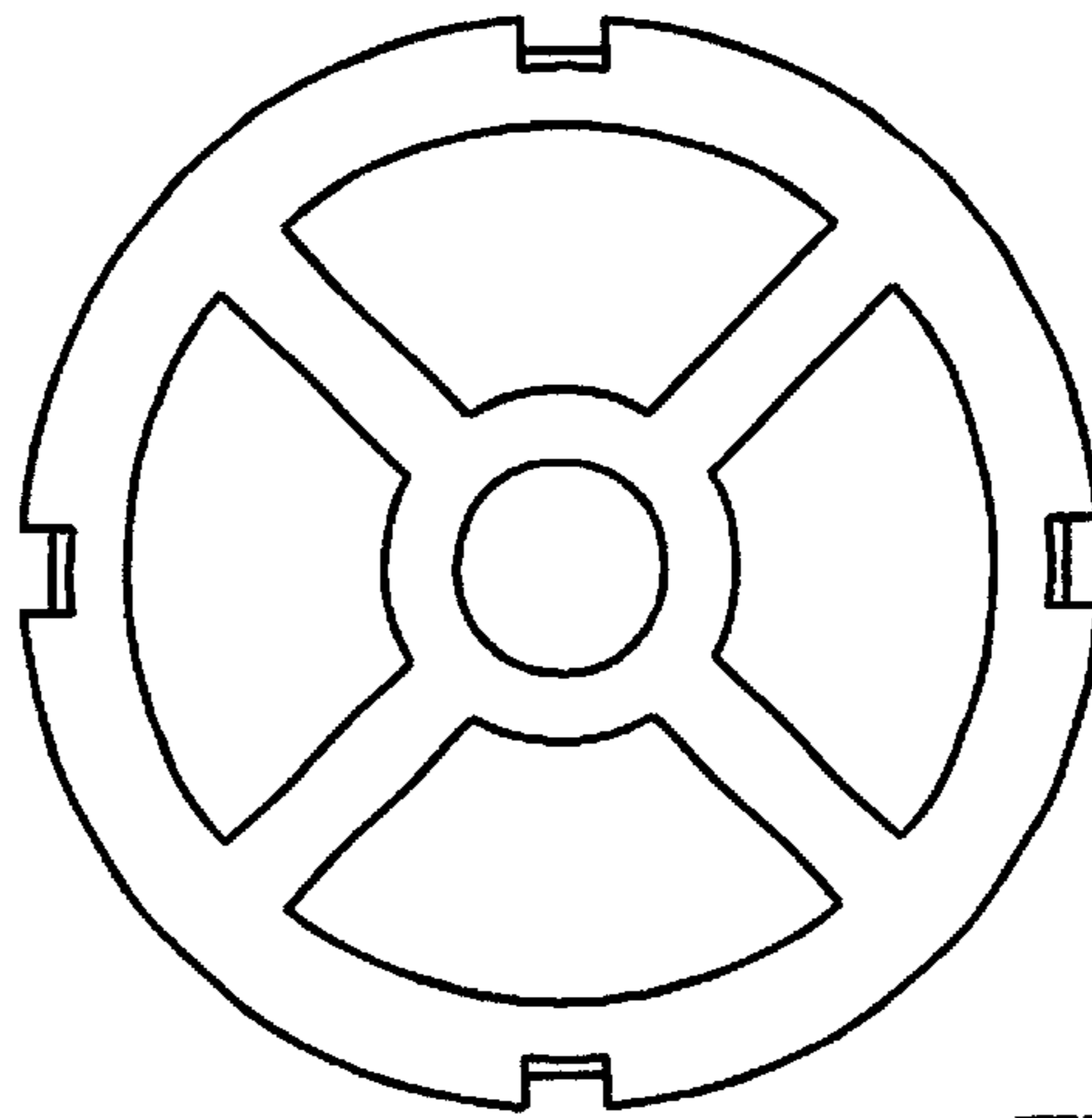


FIG. 2

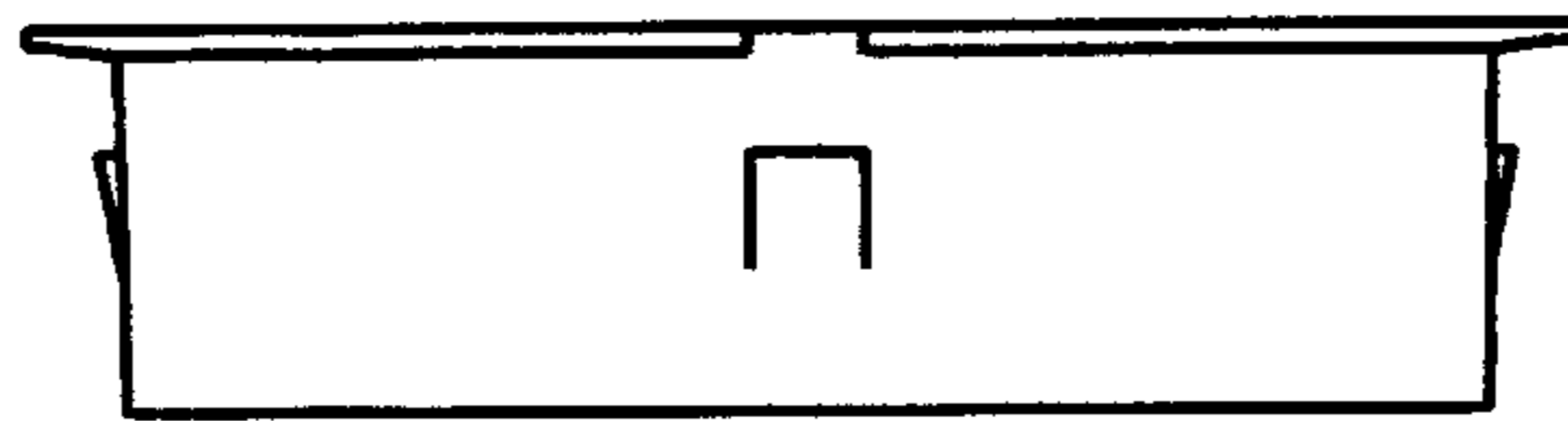


FIG. 3

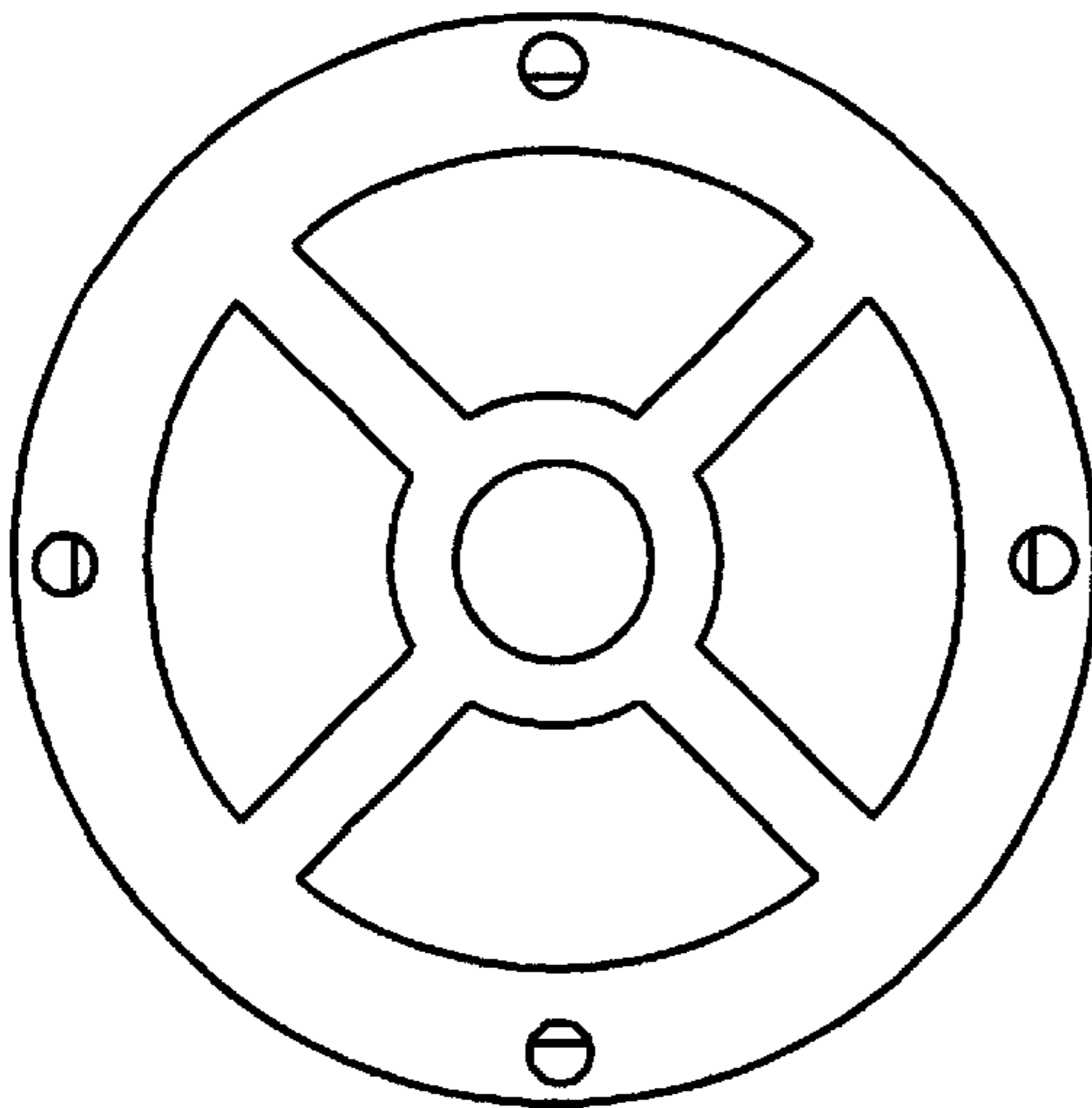


FIG. 4

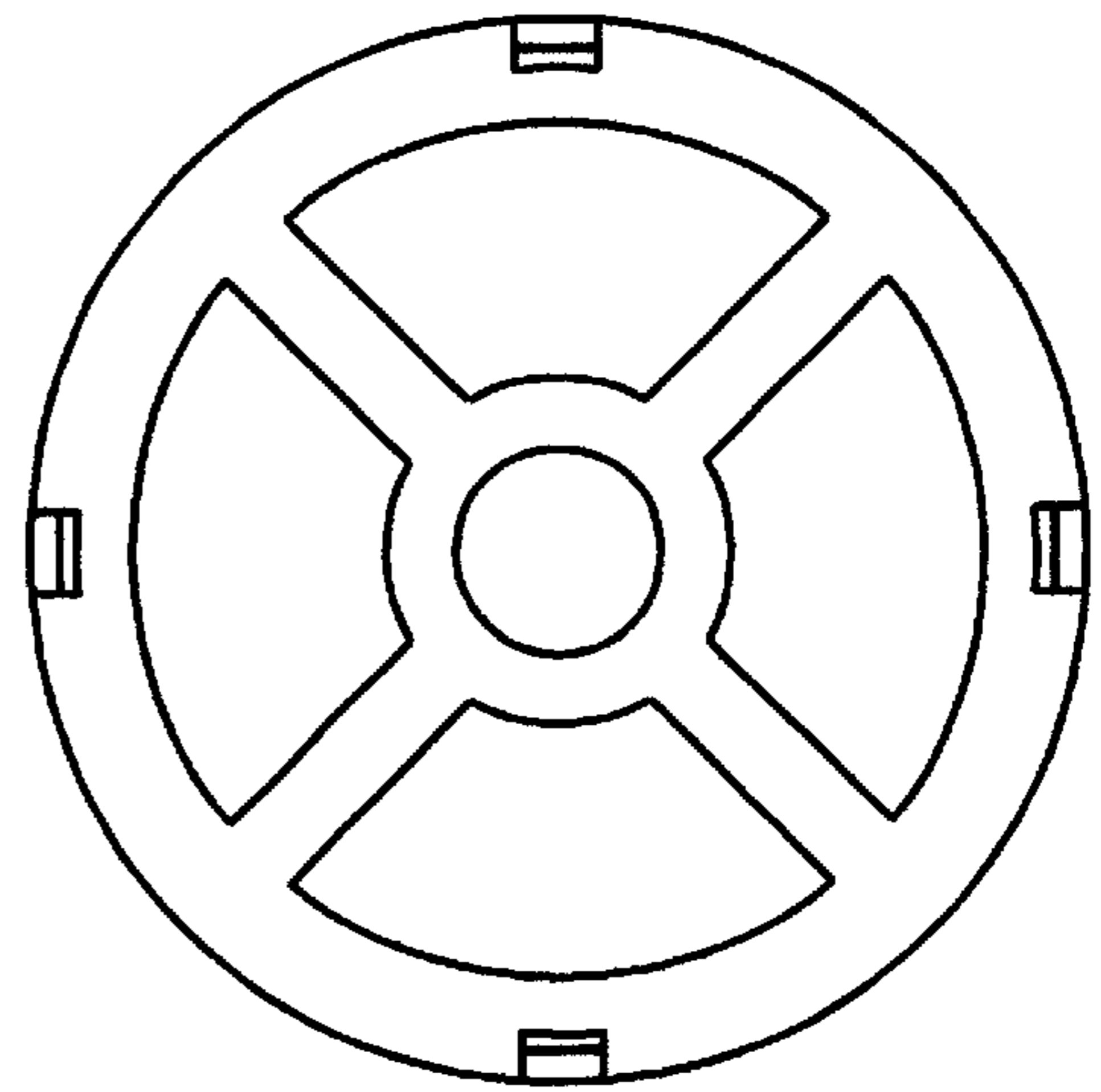


FIG. 5

