



US00D485284S

(12) **United States Design Patent**  
**Coli**

(10) **Patent No.:** **US D485,284 S**

(45) **Date of Patent:** **\*\* Jan. 13, 2004**

(54) **MASONRY STONE CUTTING MACHINE**

6,073,621 A \* 6/2000 Cetrangolo ..... 125/12  
6,080,041 A \* 6/2000 Greenland ..... 451/11  
D451,109 S \* 11/2001 Governo et al. .... D15/133

(75) Inventor: **Roberto Coli**, Certaldo (IT)

\* cited by examiner

(73) Assignee: **Imer U.S.A., Inc.**, San Francisco, CA  
(US)

*Primary Examiner*—Antoine Duval Davis  
(74) *Attorney, Agent, or Firm*—McGlew and Tuttle, P.C.

(\*\*) Term: **14 Years**

(57) **CLAIM**

(21) Appl. No.: **29/165,923**

The ornamental design for a masonry stone cutting machine,  
as shown and described.

(22) Filed: **Aug. 19, 2002**

**DESCRIPTION**

(51) **LOC (7) Cl.** ..... **15-09**

(52) **U.S. Cl.** ..... **D15/133; D15/127**

(58) **Field of Search** ..... D15/127, 133;  
125/11.22, 12, 13.01, 13.03, 14, 23.01,  
35; 451/11, 360, 411; 83/171, 372

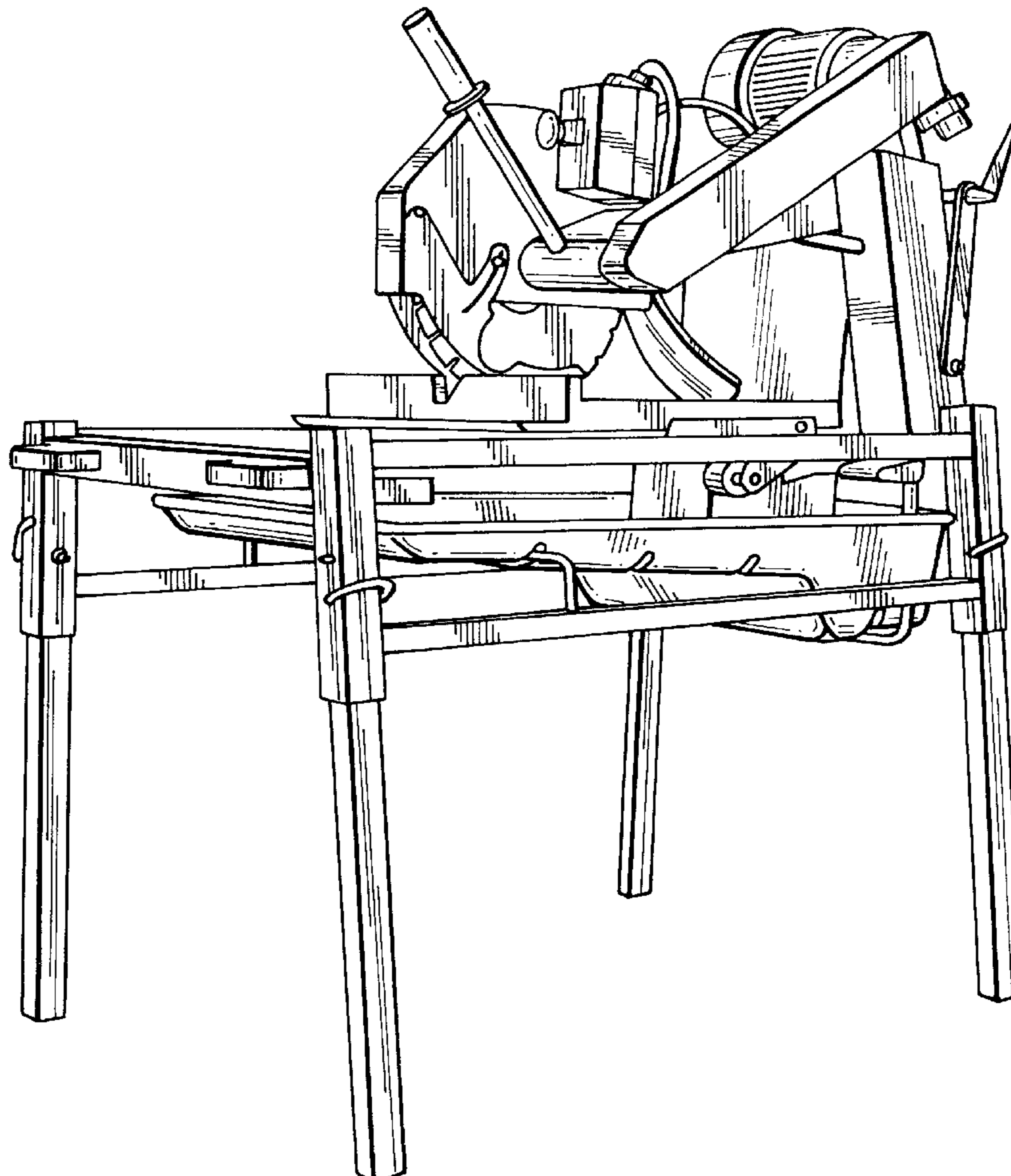
FIG. 1 is a front perspective view of my new masonry stone cutting machine;  
FIG. 2 is a rear perspective view thereof;  
FIG. 3 is a left end view thereof;  
FIG. 4 is a rear view thereof;  
FIG. 5 is a right end view thereof;  
FIG. 6 is a front view thereof;  
FIG. 7 is a top perspective view thereof; and,  
FIG. 8 is a bottom perspective view thereof.

(56) **References Cited**

**U.S. PATENT DOCUMENTS**

3,559,631 A \* 2/1971 Mangis ..... 125/23.01  
5,127,391 A \* 7/1992 O'Keefe ..... 125/13.01  
6,000,387 A \* 12/1999 Lee ..... 125/13.01  
D418,846 S \* 1/2000 Chen ..... D15/127

**1 Claim, 8 Drawing Sheets**



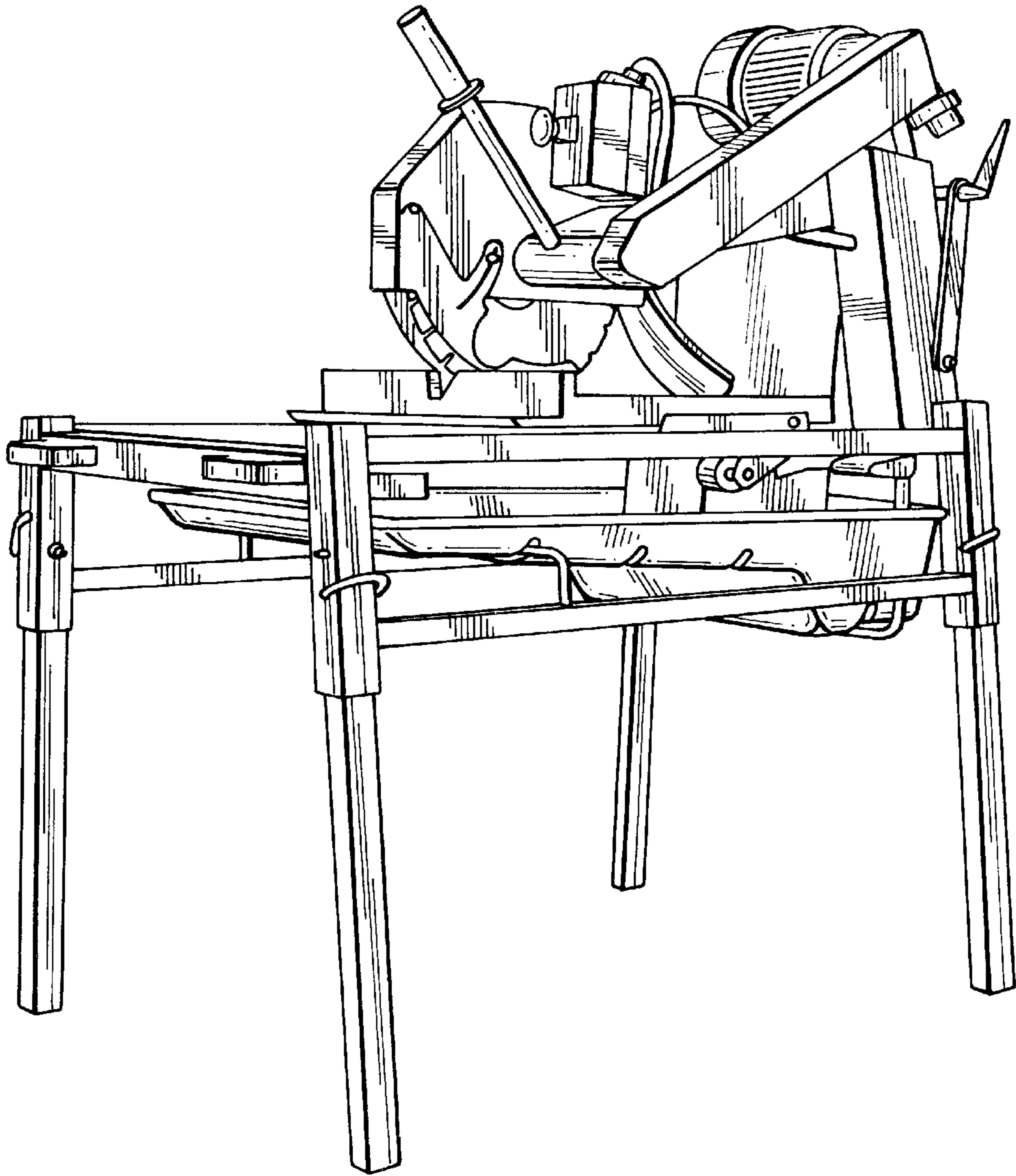


FIG. 1

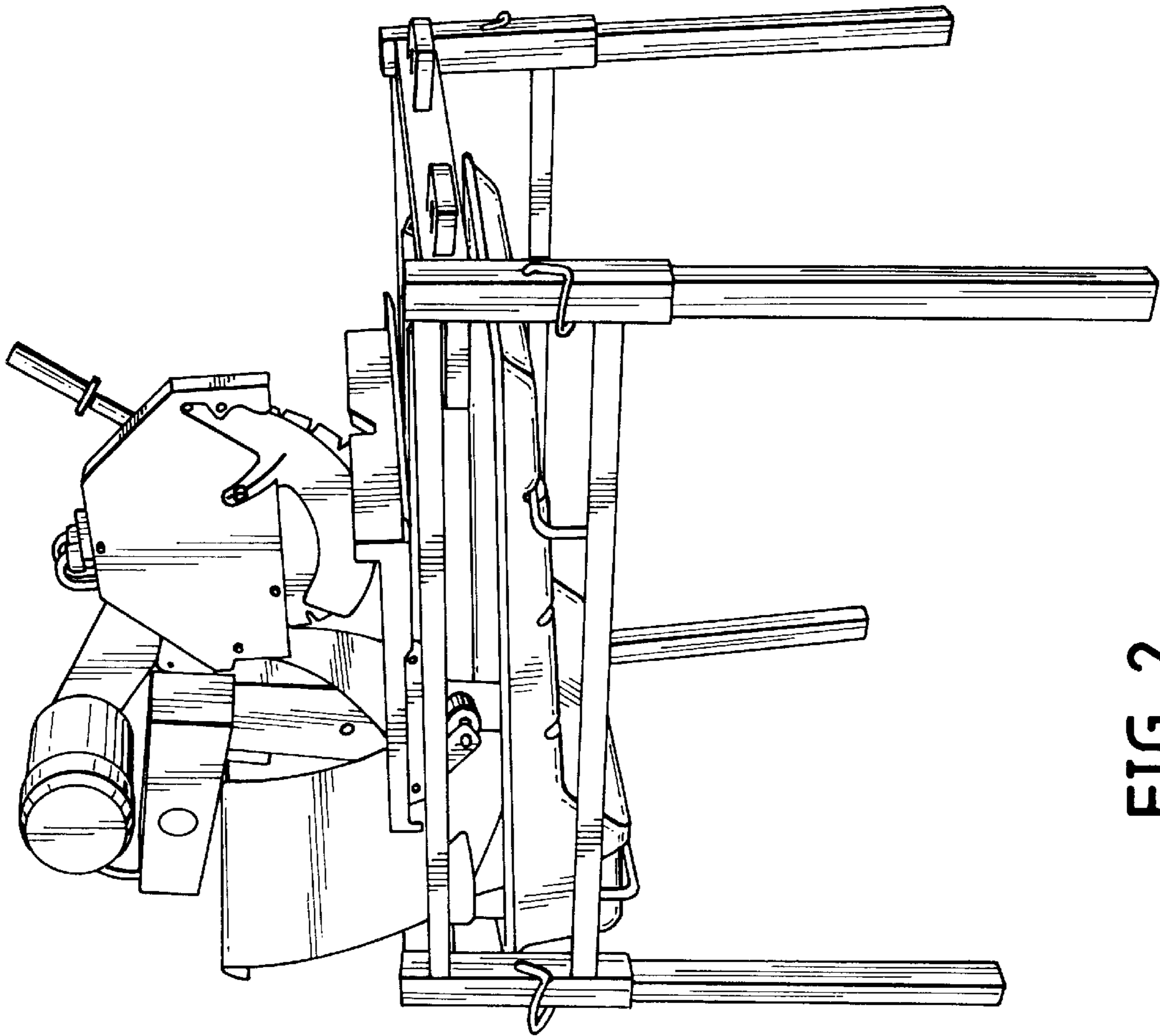


FIG. 2

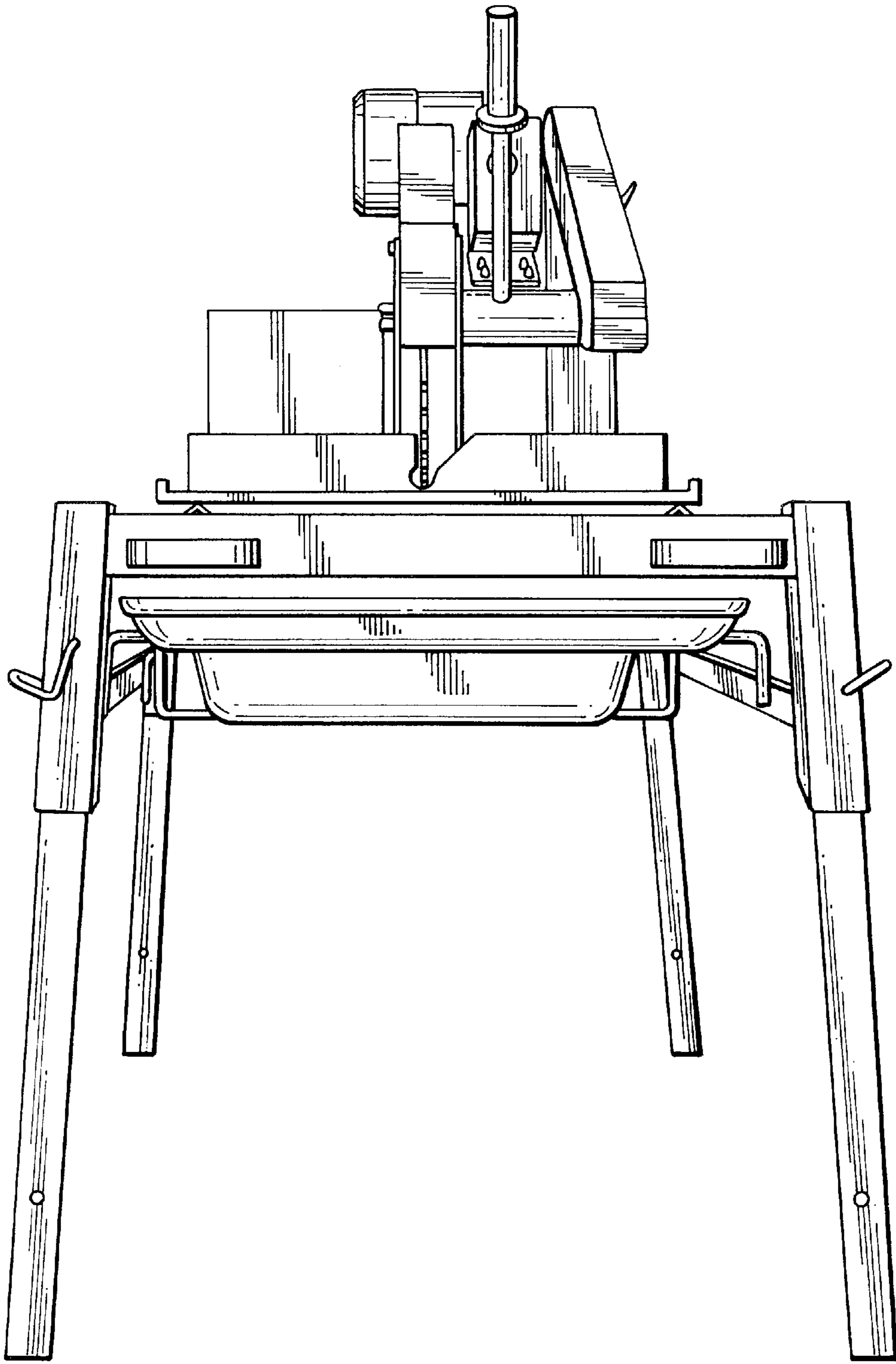


FIG. 3

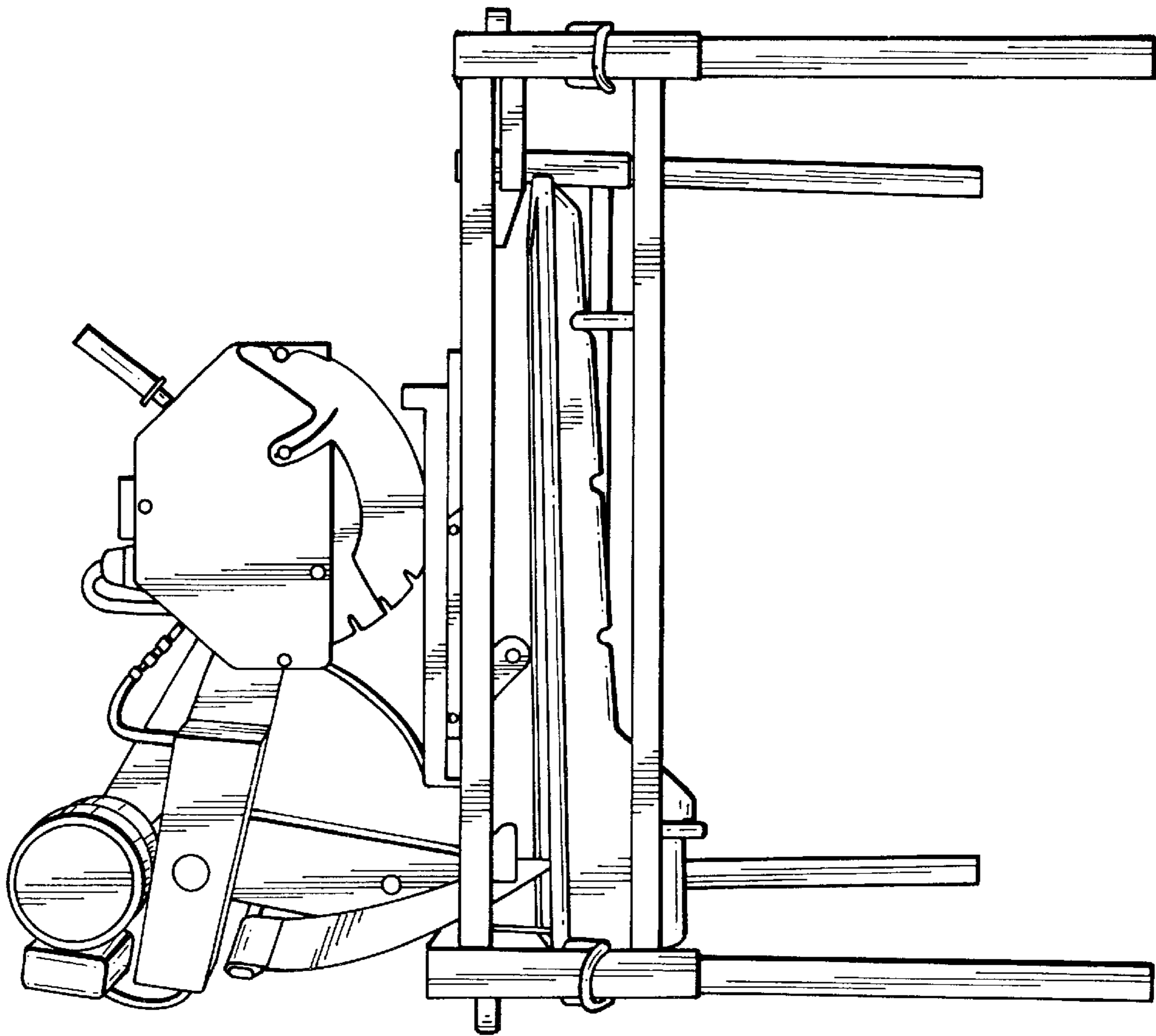


FIG. 4

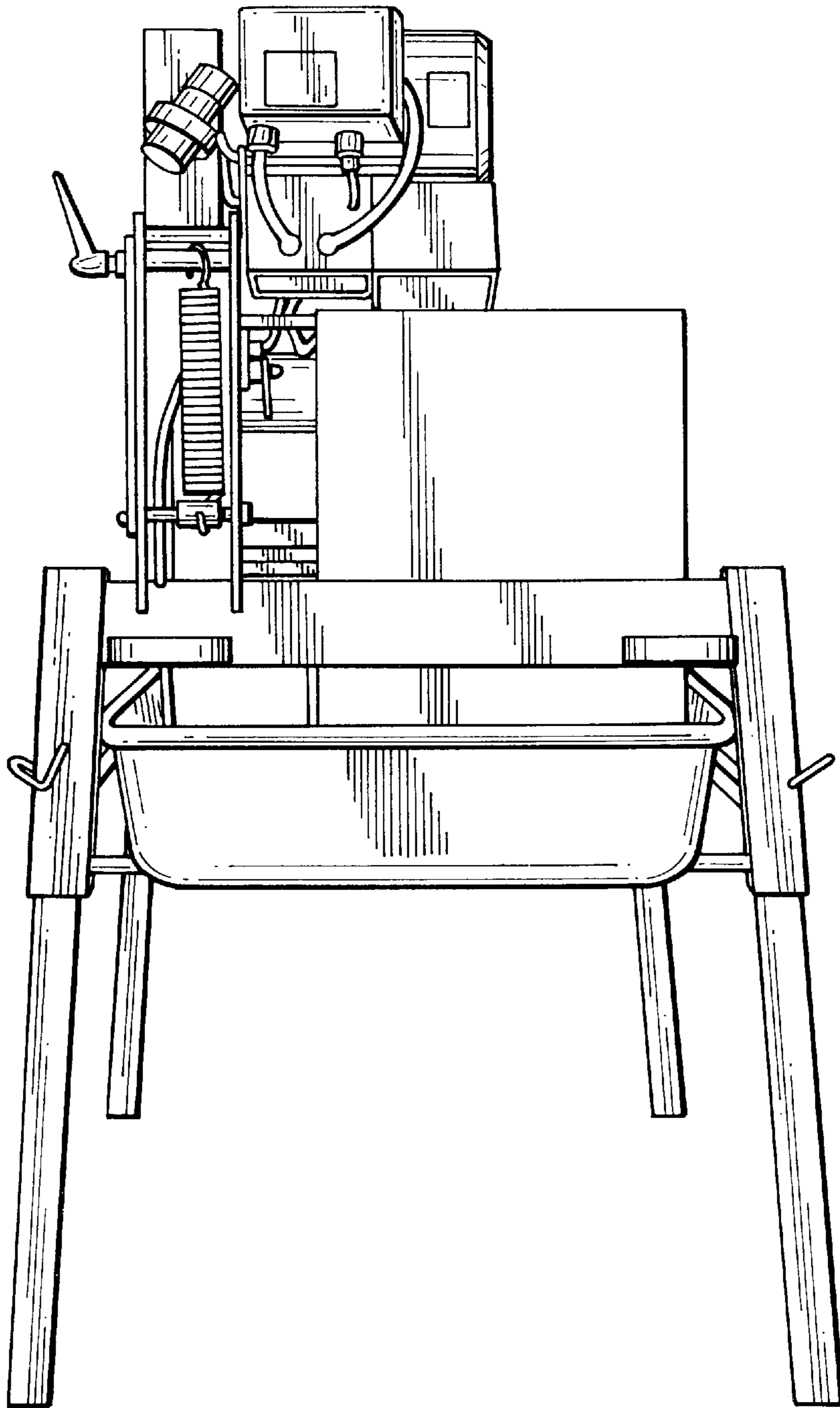


FIG. 5

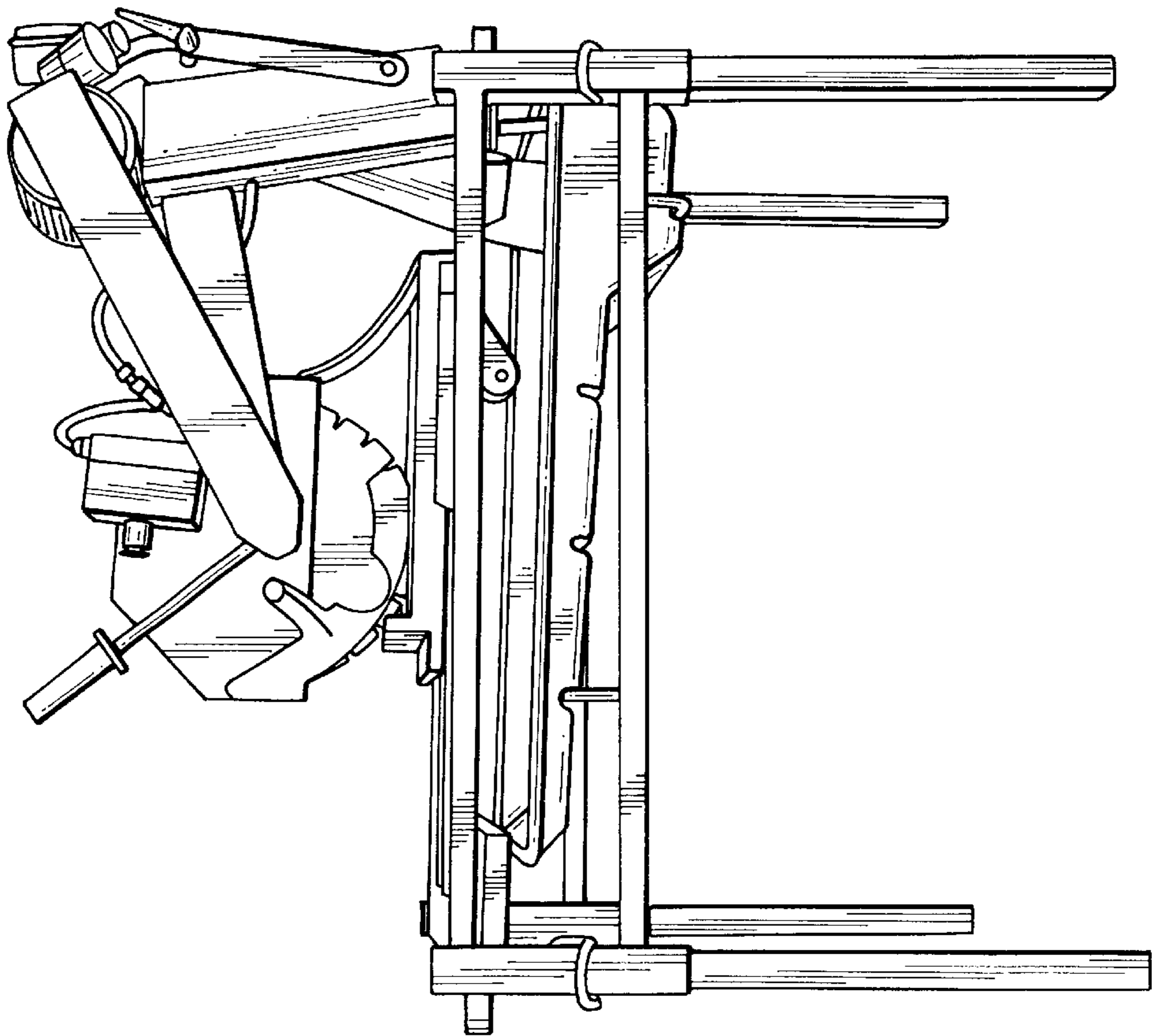


FIG. 6

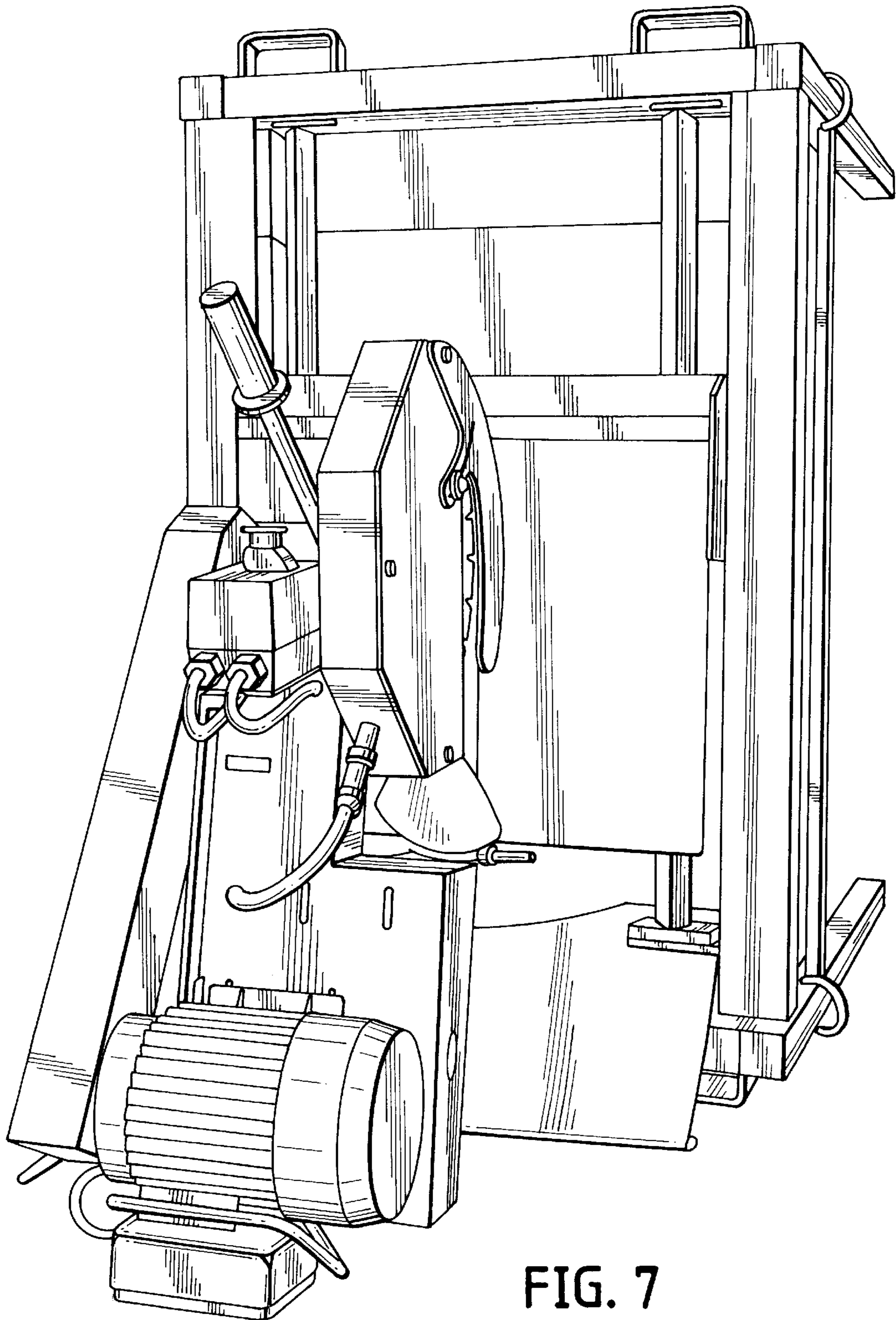


FIG. 7



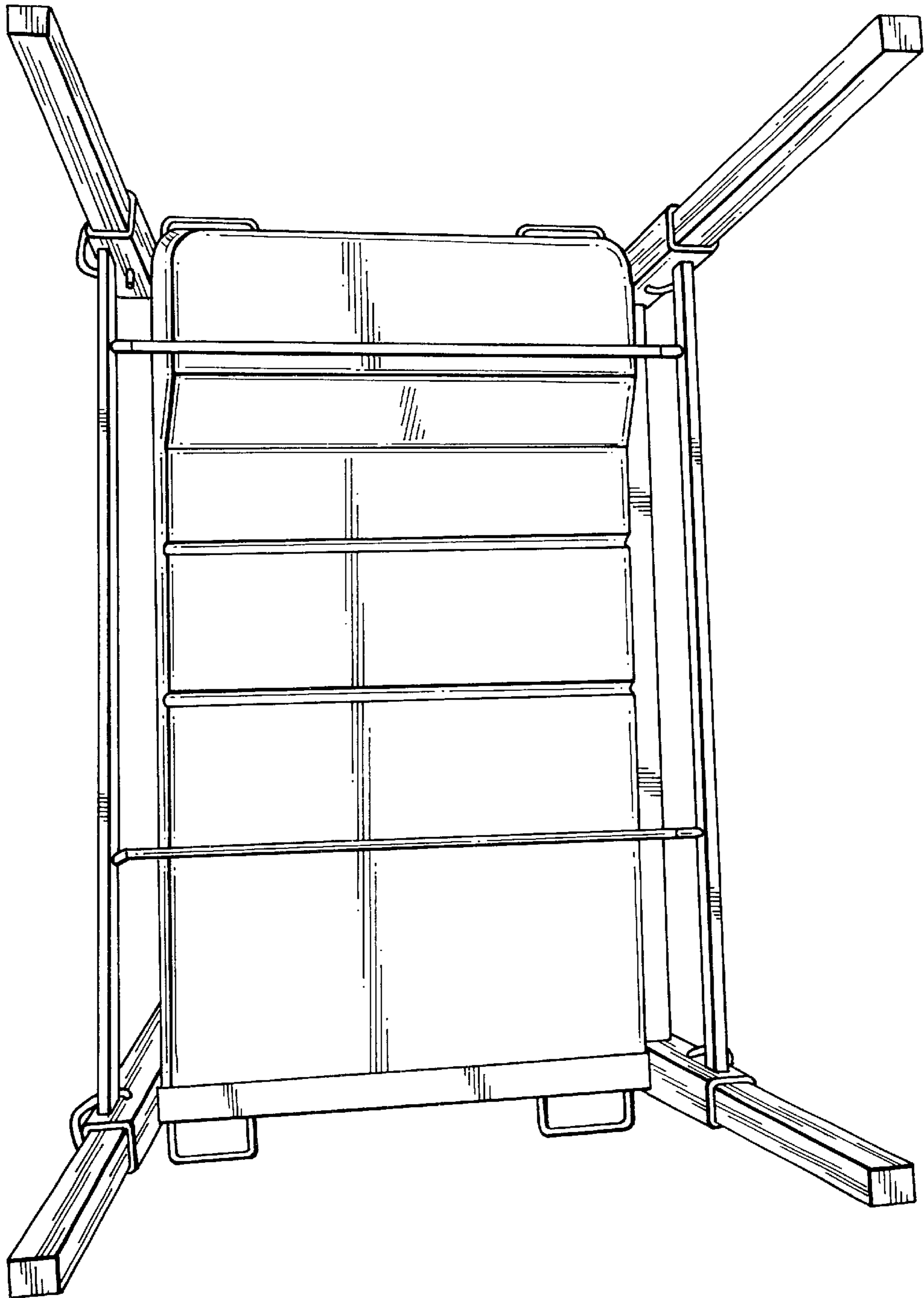


FIG. 8