



US00D485280S

(12) **United States Design Patent**
Hussaini et al.

(10) **Patent No.:** **US D485,280 S**
(45) **Date of Patent:** **** Jan. 13, 2004**

(54) **AUDIO AND VIDEO ACCESSORY FOR AN ELECTRONIC DEVICE**

D477,850 S * 7/2003 Hussaini et al. D14/496

* cited by examiner

(75) Inventors: **Saied Hussaini**, Miami, FL (US); **Marc Iacovelli**, Miami, FL (US)

Primary Examiner—Prabhakar Deshmukh
(74) *Attorney, Agent, or Firm*—Liniak, Berenato & White

(73) Assignee: **Intec Inc.**, Miami, FL (US)

(57) **CLAIM**

(**) Term: **14 Years**

The ornamental design for an audio and video accessory for an electronic device, as shown and described.

(21) Appl. No.: **29/181,295**

DESCRIPTION

(22) Filed: **May 9, 2003**

(51) **LOC (7) Cl.** **14-03**

(52) **U.S. Cl.** **D14/496; D21/329**

(58) **Field of Search** D14/496, 400, D14/401, 483, 315, 168, 125; 273/148 B; 463/1, 30-35, 43-47; 345/156, 157, 158, 903, 905, 728; D21/324, 329, 333

FIG. 1 is a front view of the audio and video accessory for an electronic device according to the present invention.

FIG. 2 is a rear view of the audio and video accessory for an electronic device of FIG. 1.

FIG. 3 is a left side view of the audio and video accessory for an electronic device of FIG. 1.

FIG. 4 is a right side view of the audio and video accessory for an electronic device of FIG. 1.

FIG. 5 is a bottom view of the audio and video accessory for an electronic device of FIG. 1;

FIG. 6 is a top view of the audio and video accessory for an electronic device of FIG. 1.

FIG. 7 is a top view of the audio and video accessory for an electronic device, shown in a closed position; and,

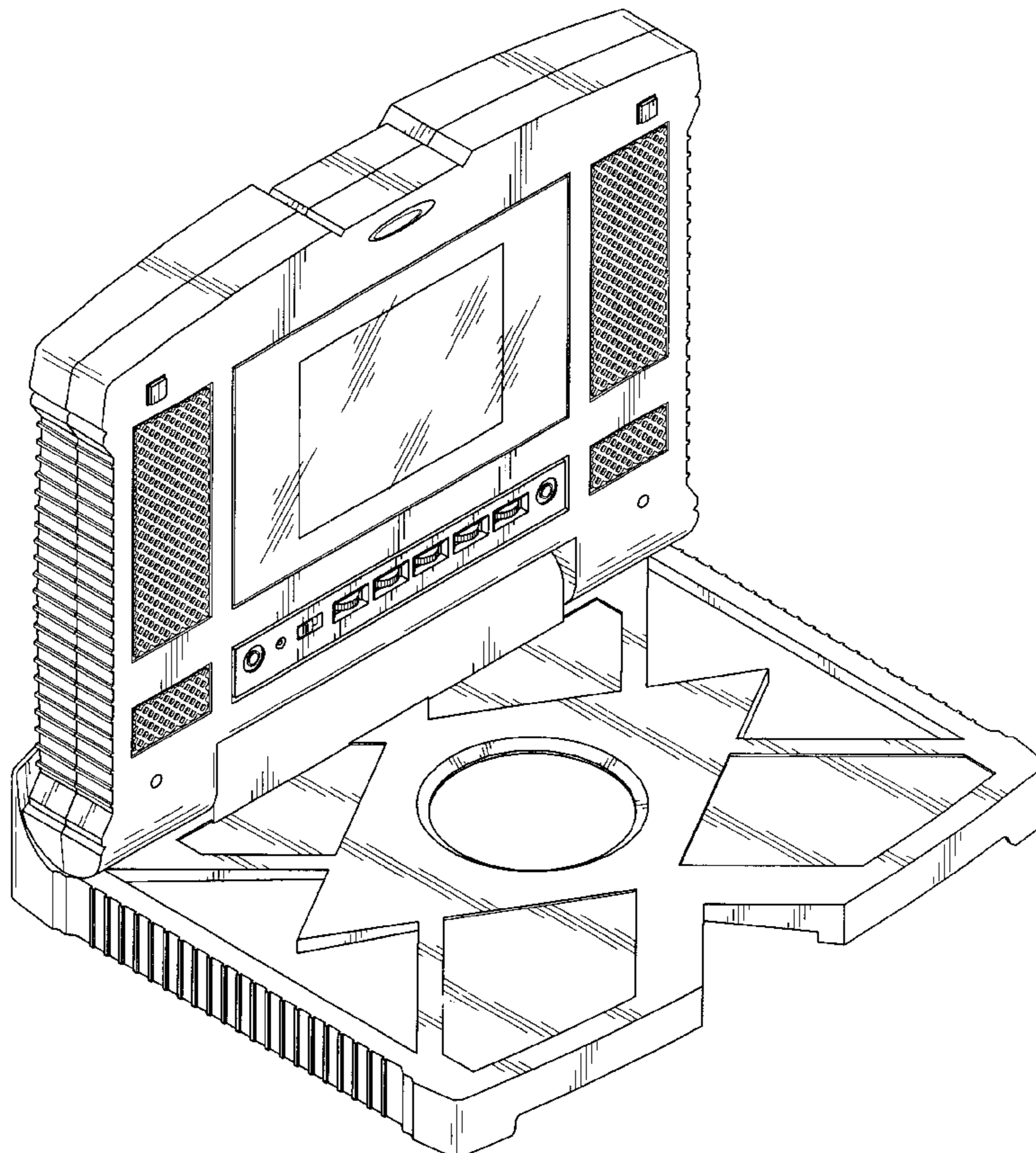
FIG. 8 is a front and left perspective view of the audio and video accessory for an electronic device.

(56) **References Cited**

U.S. PATENT DOCUMENTS

D378,677 S	*	4/1997	Matsumoto et al.	D14/496
D435,527 S	*	12/2000	Lino et al.	D14/496
D467,887 S	*	12/2000	Azuma et al.	D14/168
6,262,785 B1	*	7/2001	Kim	345/905
6,307,535 B1	*	10/2001	Kim et al.	345/156
6,400,351 B1	*	6/2002	Ishizawa et al.	345/156
6,507,338 B1	*	1/2003	Liao et al.	345/156
D473,227 S	*	4/2003	Hussaini et al.	D14/217

1 Claim, 8 Drawing Sheets



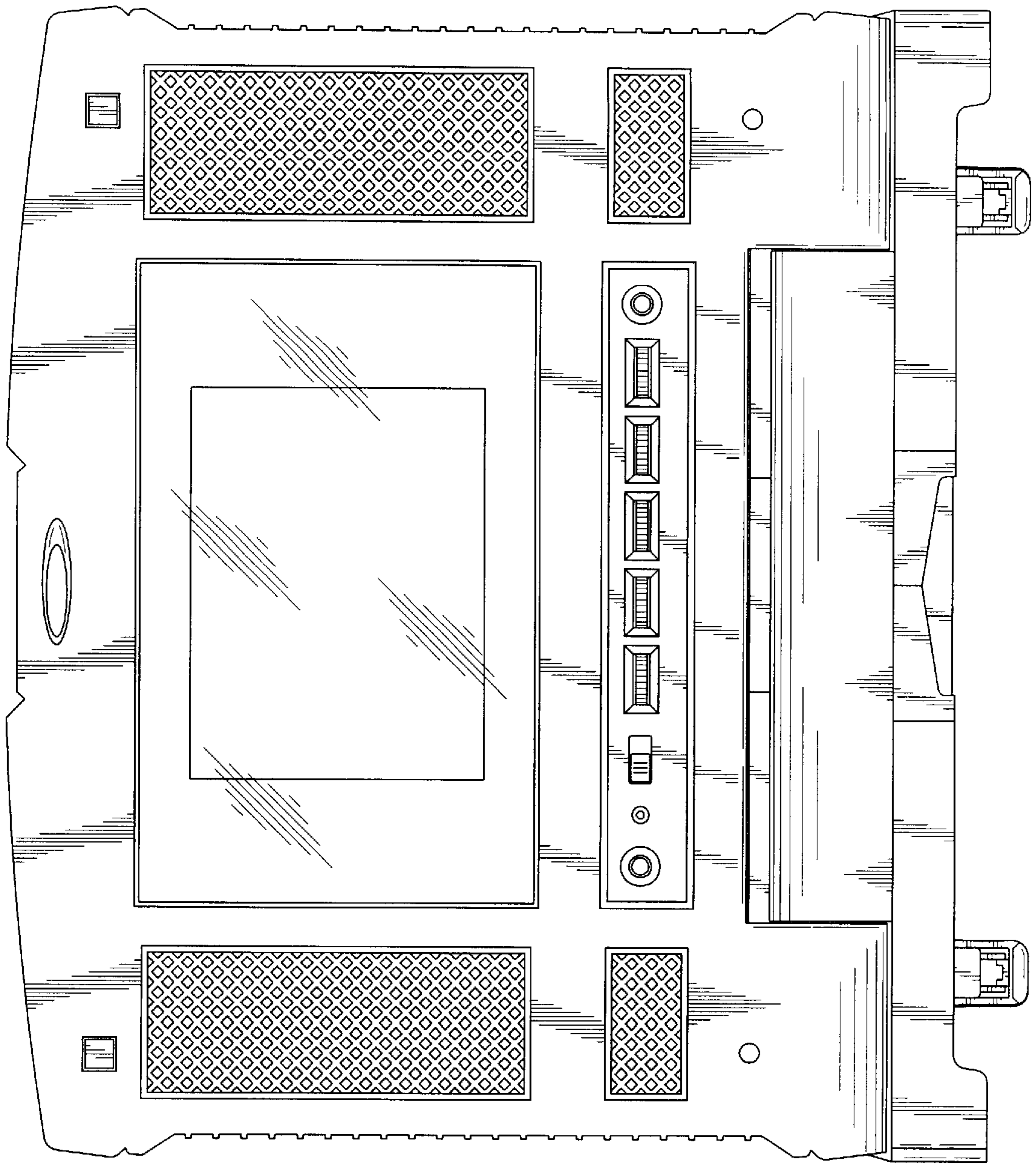


Fig. 1

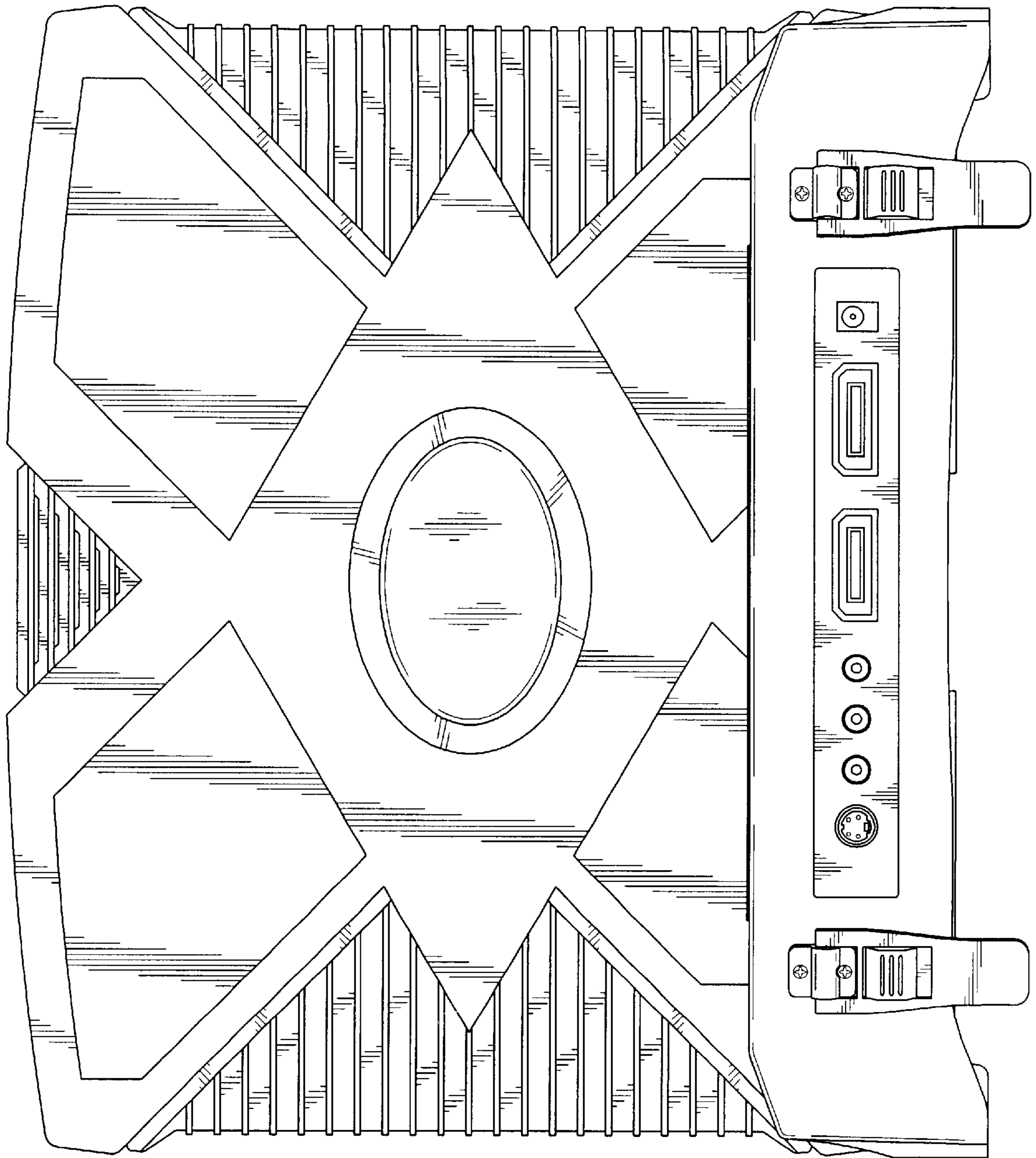


Fig. 2

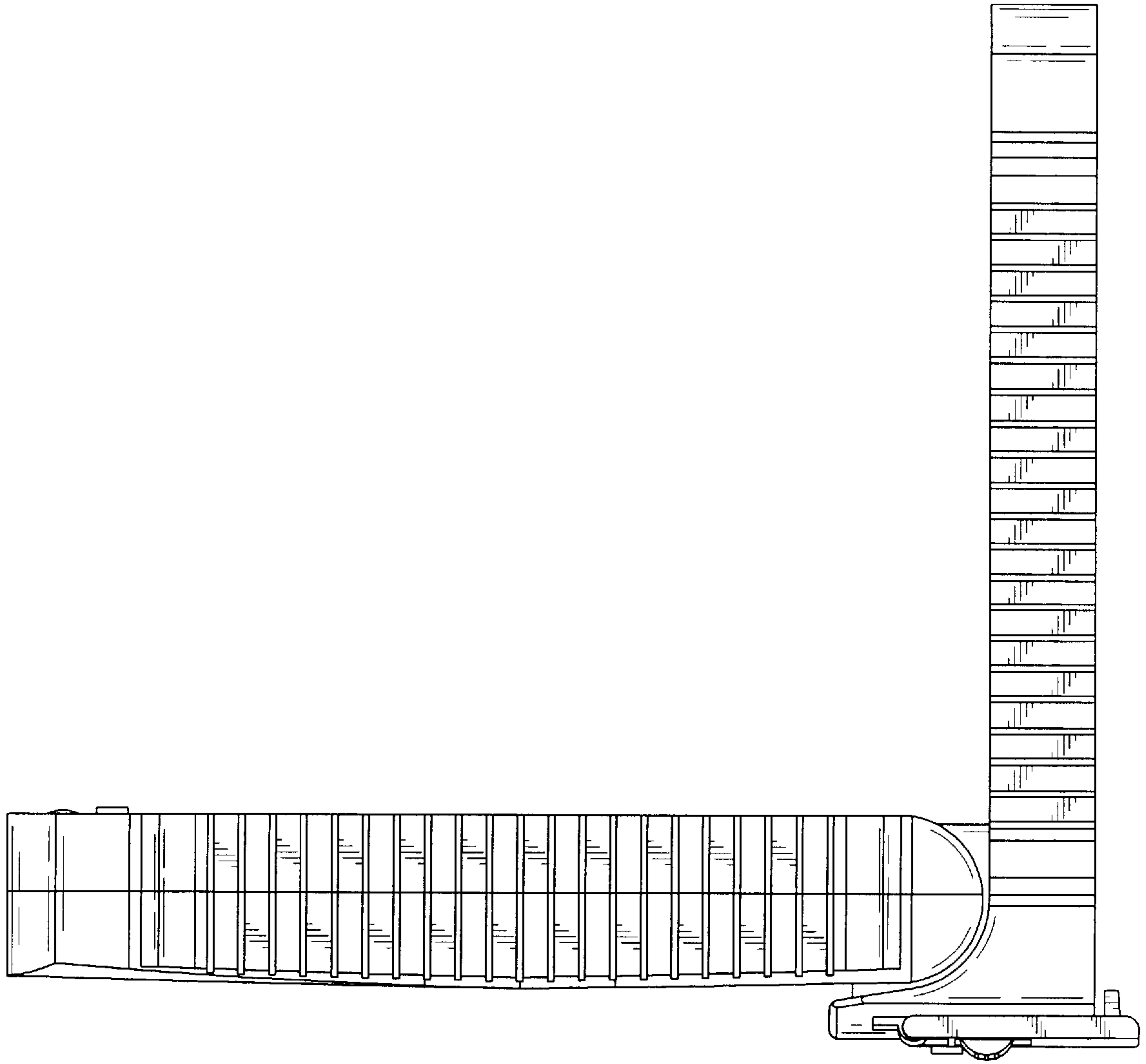


Fig. 3

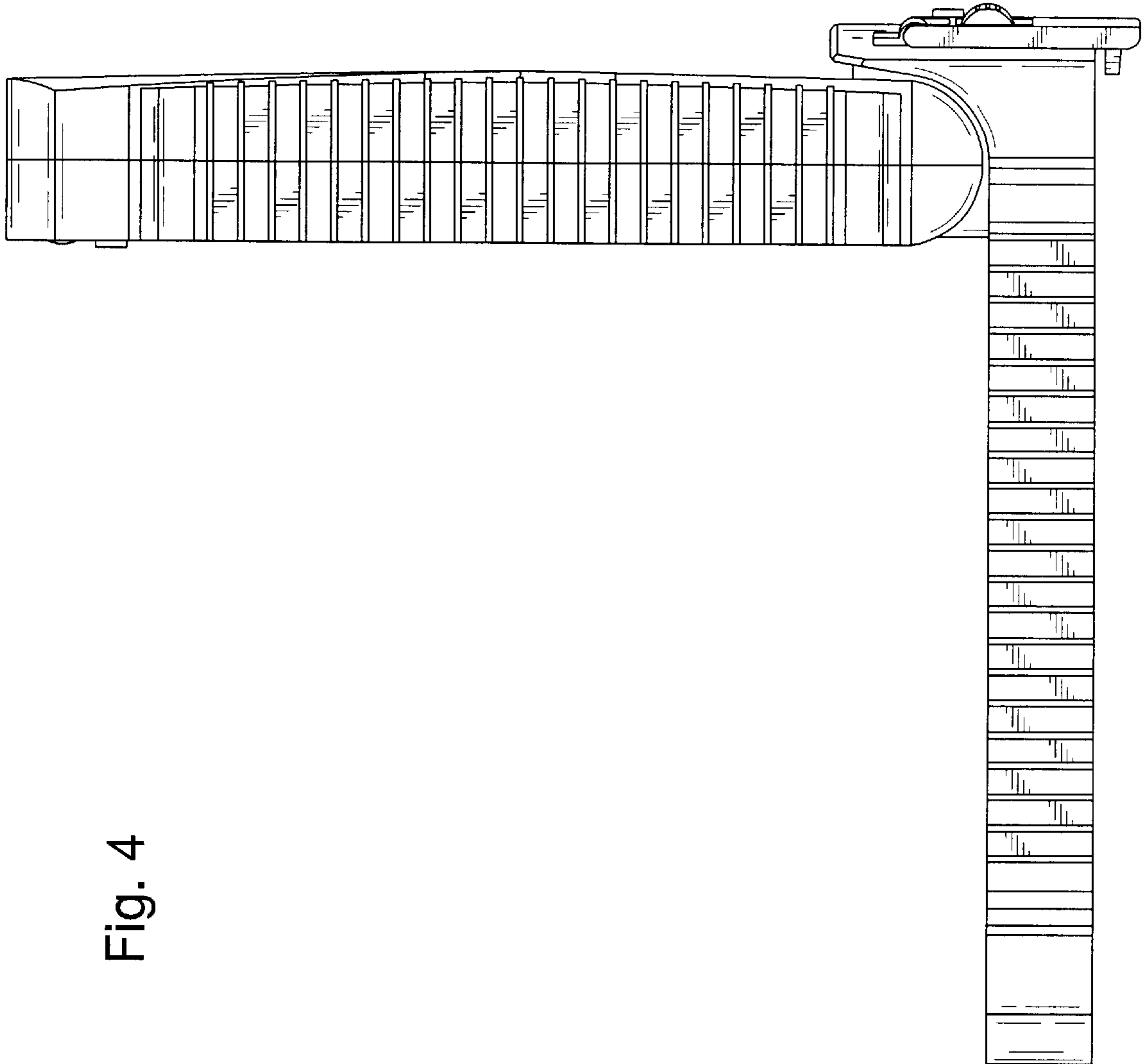


Fig. 4

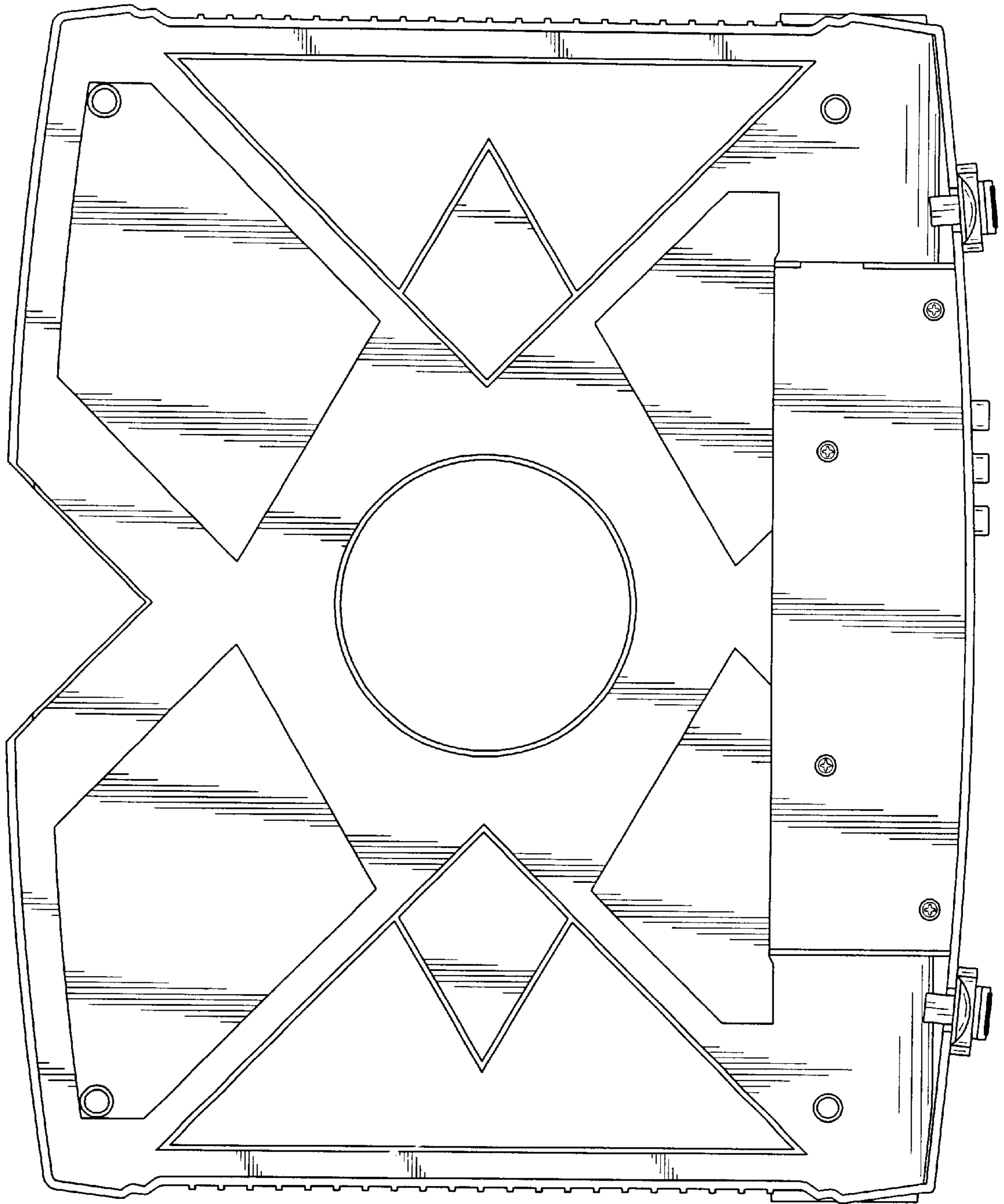


Fig. 5

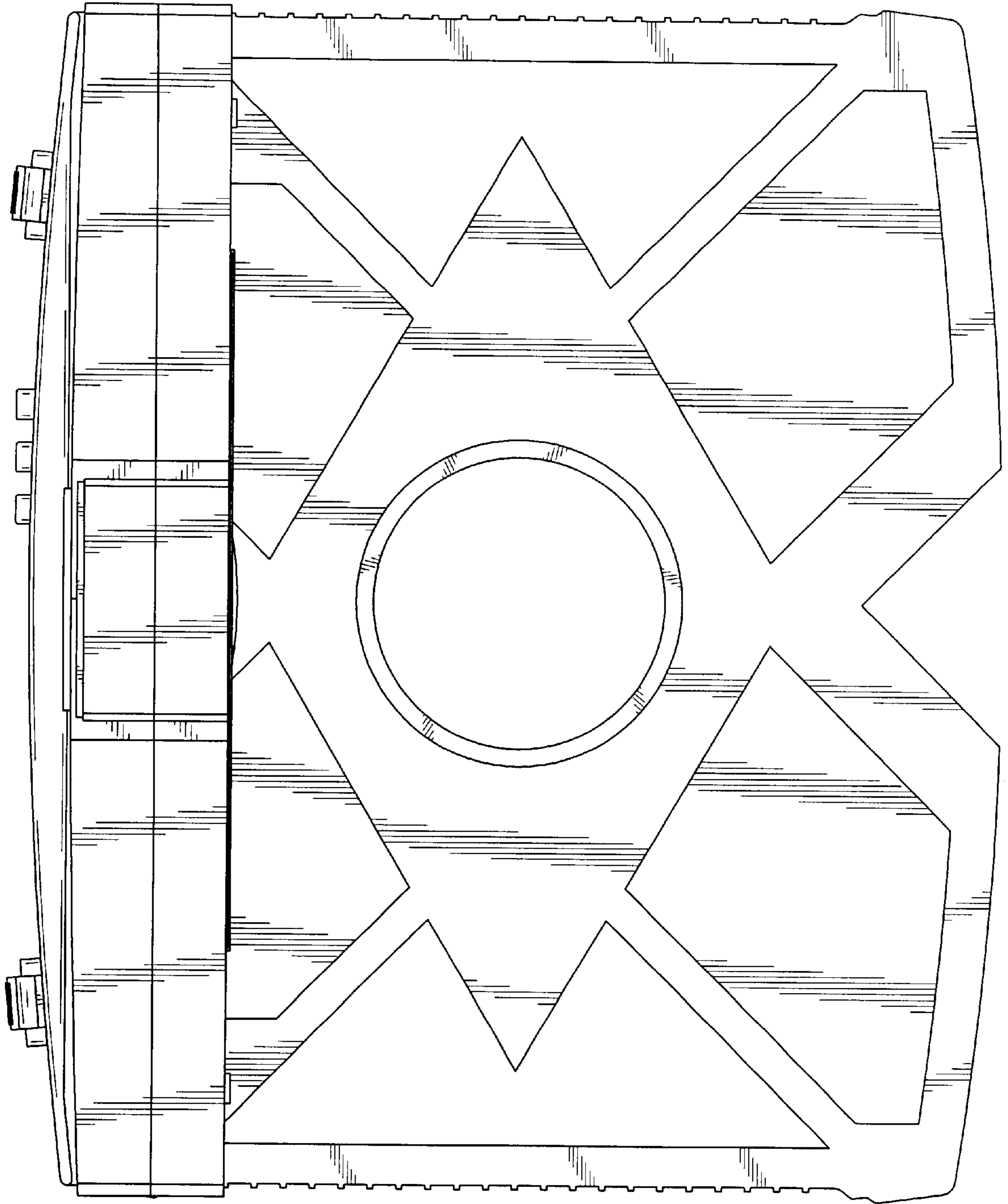


Fig. 6

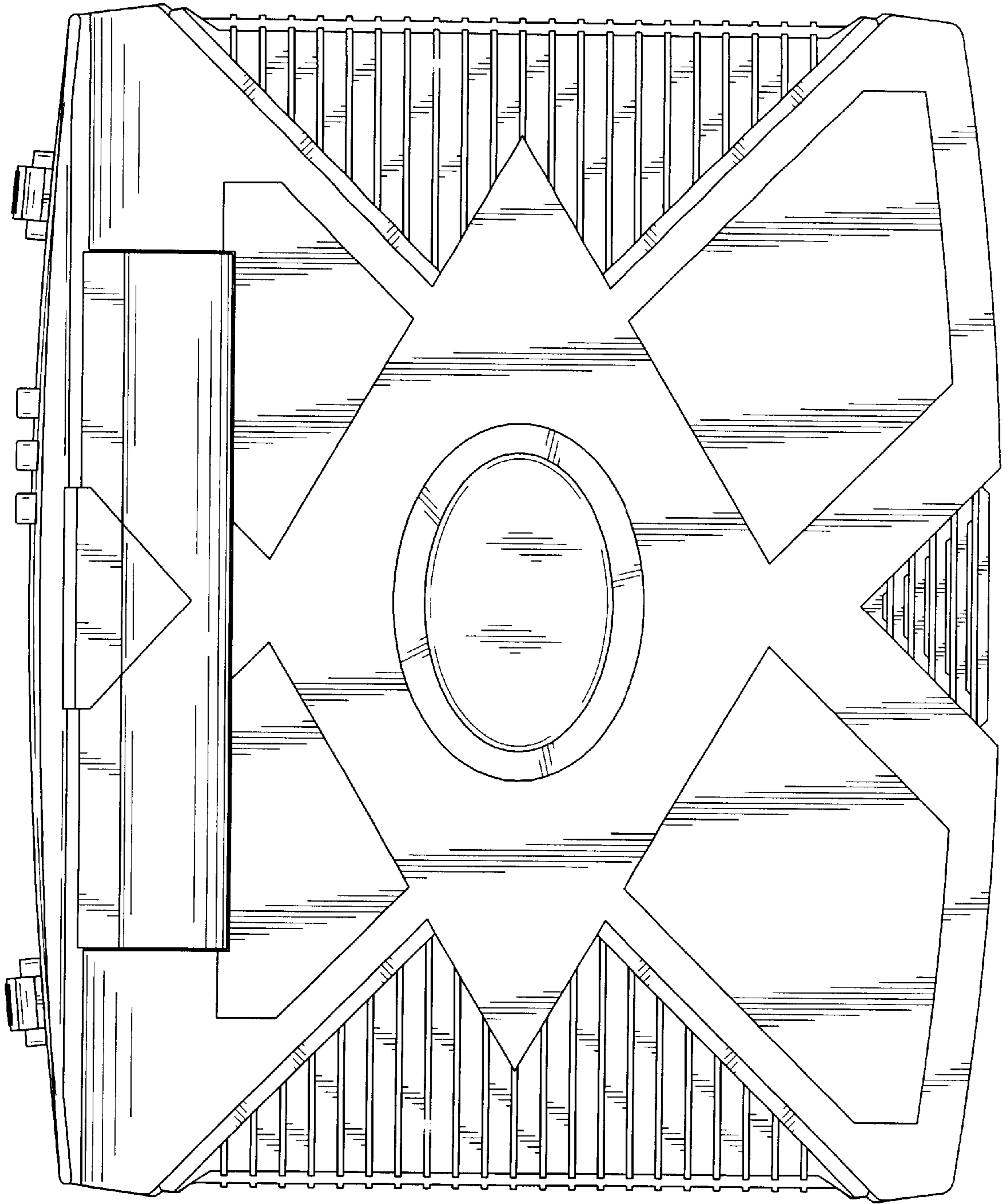


Fig. 7

Fig. 8

