



US00D485276S

(12) **United States Design Patent**
Chien

(10) **Patent No.:** **US D485,276 S**

(45) **Date of Patent:** **** Jan. 13, 2004**

(54) **DESKTOP COMPUTER CASE SIDE PANEL**

(75) Inventor: **Robert Chien**, West Covina, CA (US)

(73) Assignee: **AATop Technology, Inc.**, Pomona, CA (US)

(**) Term: **14 Years**

(21) Appl. No.: **29/176,873**

(22) Filed: **Feb. 28, 2003**

(51) **LOC (7) Cl.** **14-02**

(52) **U.S. Cl.** **D14/441**

(58) **Field of Search** D14/441-446,
D14/349-356; D13/162, 184, 199; 312/223.1-223.3;
360/99.01-99.12; 361/690-696; 369/34.01,
36.01

(56) **References Cited**

U.S. PATENT DOCUMENTS

| | | | |
|------------|-----------|--------------------|---------------|
| D283,817 S | 5/1986 | Sakamoto | |
| D308,670 S | 6/1990 | Hanson et al. | |
| D313,226 S | 12/1990 | Kimura et al. | |
| D328,058 S | 7/1992 | Suzuki et al. | |
| D372,700 S | 8/1996 | Schauwecker et al. | |
| D382,546 S | 8/1997 | Richardson et al. | |
| D398,585 S | 9/1998 | Richman et al. | |
| D431,823 S | * 10/2000 | Leman | D14/441 |
| D453,755 S | 2/2002 | Eleby | |

OTHER PUBLICATIONS

MNTSNOW, Twilight Mid-Tower Case, www.stremepccer-nal.com, 4 pp, Pub. Dec. 21, 2002, Printout Apr. 17, 2003.
KOOL CASES LLC, Koolcases, www.koolcases.com, 2 pp, Pub. date unknown, Printout Apr. 17, 2003.

PC CASE, www.pccase.com, 2pp, Pub. date unknown, Printout Mar. 8, 2003.

XPCGEAR.COM, aluminum ATX Case, www.xpcgear.com, 3 pp, Pub. date unknown, Printout Mar. 8, 2003.

ADAMANT, Adamant-2020, www.adamant.com, 1 p, Pub. date unknown, Printout Feb. 13, 2003.

RAIDTRONICS TECHNOLOGY, www.raidtronics.com, 2 pp, Pub. date unknow, Printout May 29, 2002.

* cited by examiner

Primary Examiner—Freda Nunn

(74) *Attorney, Agent, or Firm*—Gary F. Wang, Esq.

(57) **CLAIM**

The ornamental design for a desktop computer case side panel, as shown and described.

DESCRIPTION

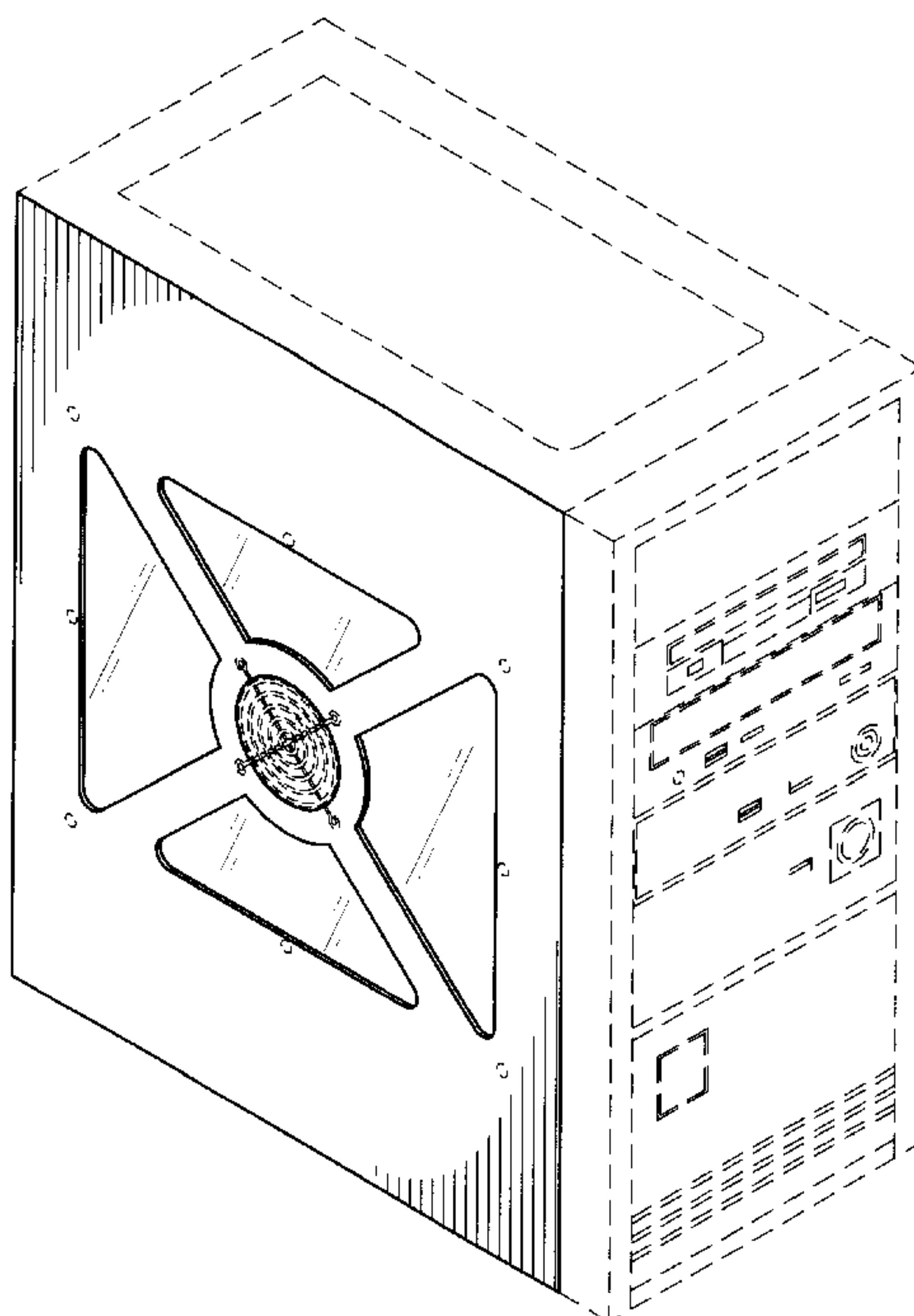
FIG. 1 is a perspective view of the desktop computer case side panel of the present design showing the side panel installed on a desktop computer;

FIG. 2 is a front view of the desktop computer case side panel of the present design with a fan guard; and,

FIG. 3 is a front view of the desktop computer case side panel of the present design without the fan guard.

The broken lines showing of a part of the desktop computer in FIGS. 1, 2 and 3 are for illustrative purposes only and form no part of the claimed design.

1 Claim, 3 Drawing Sheets



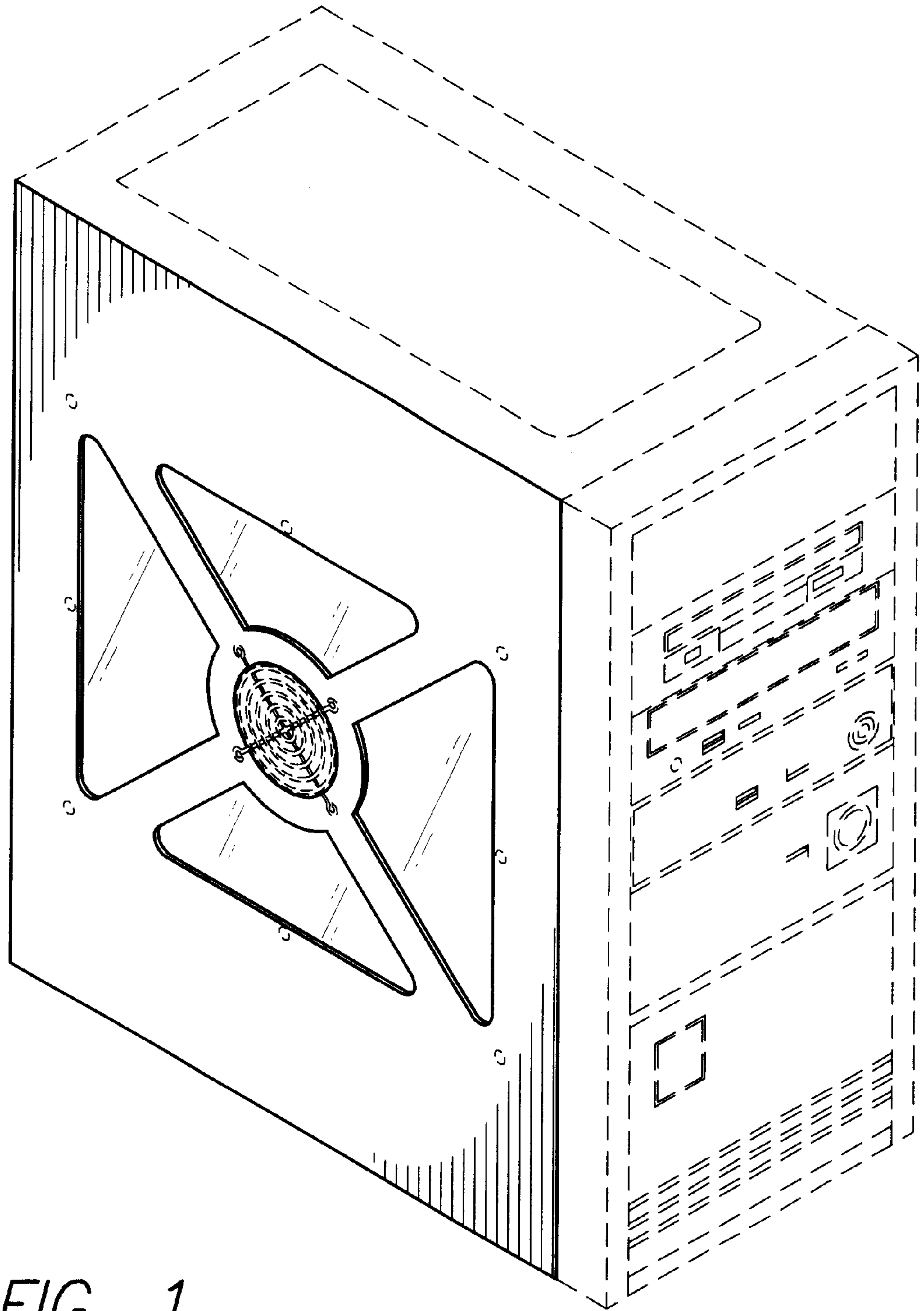


FIG. 1

FIG. 2

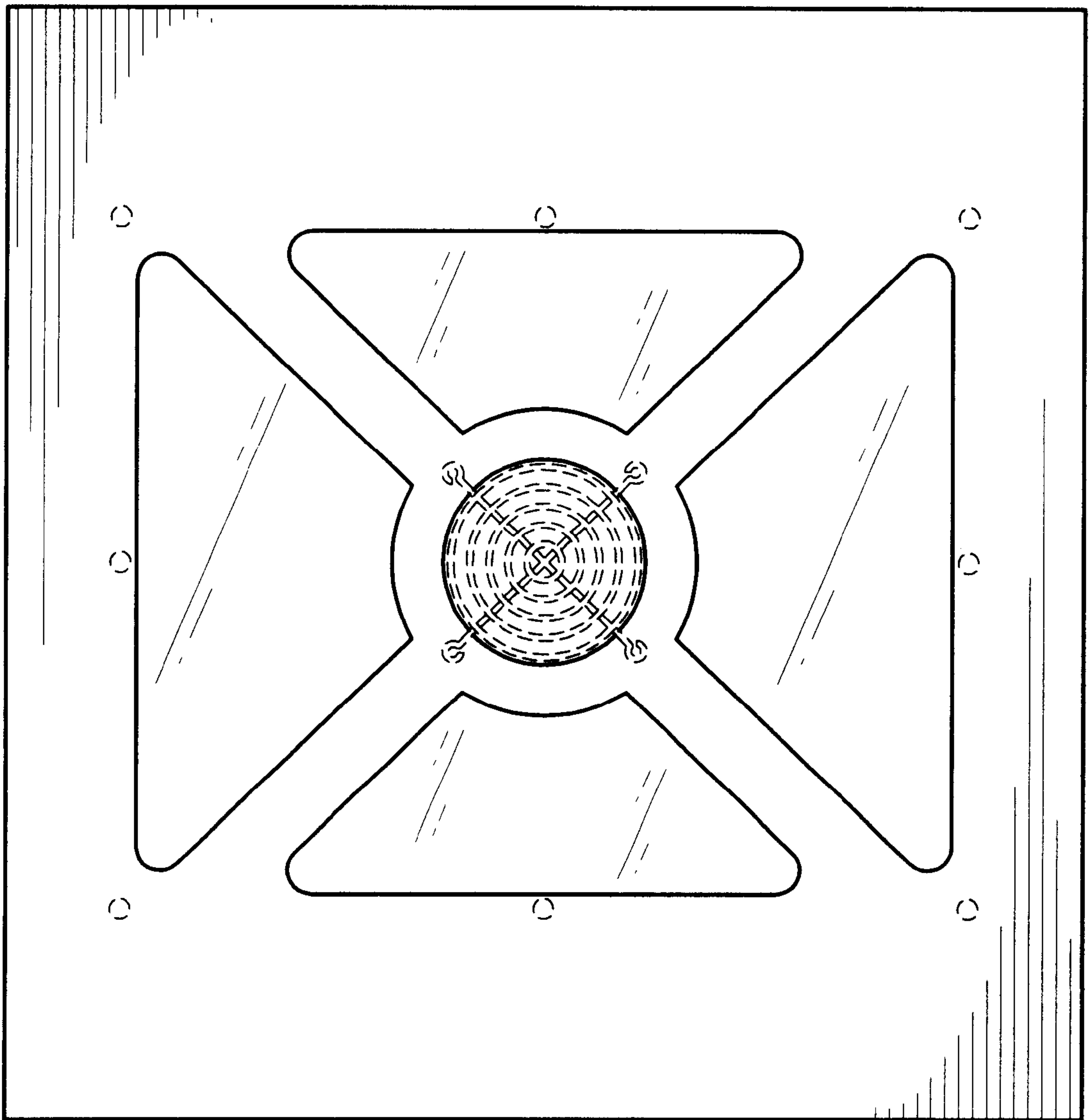


FIG. 3

