



US00D485274S

(12) **United States Design Patent**
Tanaka

(10) **Patent No.:** **US D485,274 S**

(45) **Date of Patent:** **** Jan. 13, 2004**

(54) **PORTION OF AN ELECTRONIC COMPUTER**

JP 1128299 12/2001
JP 1128642 12/2001
JP 1129529 12/2001

(75) Inventor: **Keita Tanaka**, Meguro-ku (JP)

(73) Assignee: **Kabushiki Kaisha Toshiba** (JP)

* cited by examiner

(**) Term: **14 Years**

Primary Examiner—Kay H. Chin

(74) *Attorney, Agent, or Firm*—Banner & Witcoff, Ltd.

(21) Appl. No.: **29/171,326**

(57) **CLAIM**

(22) Filed: **Nov. 21, 2002**

The ornamental design for a portion of an electronic computer, as shown and described.

(30) **Foreign Application Priority Data**

Jul. 24, 2002 (JP) 2002-019843

DESCRIPTION

(51) **LOC (7) Cl.** **14-02**

(52) **U.S. Cl.** **D14/432; D14/316**

(58) **Field of Search** D14/315, 316,
D14/432; 361/683, 687, 670, 680, 681,
682

FIG. 1 is a top, front and right side perspective view of a portion of an electronic computer showing my new design, FIG. 2 is a front elevational view thereof, FIG. 3 is a rear elevational view thereof, FIG. 4 is a left side elevational view thereof, FIG. 5 is a right side elevational view thereof, FIG. 6 is a top plan view thereof, FIG. 7 is a bottom plan view thereof, FIG. 8 is a plan view with a display being turned to a position from a home position thereof; and, FIG. 9 is an enlarged perspective view showing the portion of an electronic computer with the display being omitted.

The broken line showing of the remainder of the electronic computer is for illustrative purposes only and does not form any part of the design.

(56) **References Cited**

U.S. PATENT DOCUMENTS

- 5,034,858 A 7/1991 Kawamoto et al.
- D324,038 S * 2/1992 Izaki D14/316
- D324,676 S * 3/1992 Iino D14/316
- D328,455 S 8/1992 Izaki
- D338,879 S * 8/1993 Iino D14/316
- D421,972 S * 3/2000 Makidera et al. D14/316
- 2002/0039278 A1 * 4/2002 Cronk 361/683

FOREIGN PATENT DOCUMENTS

JP 1069271 5/2000

1 Claim, 5 Drawing Sheets

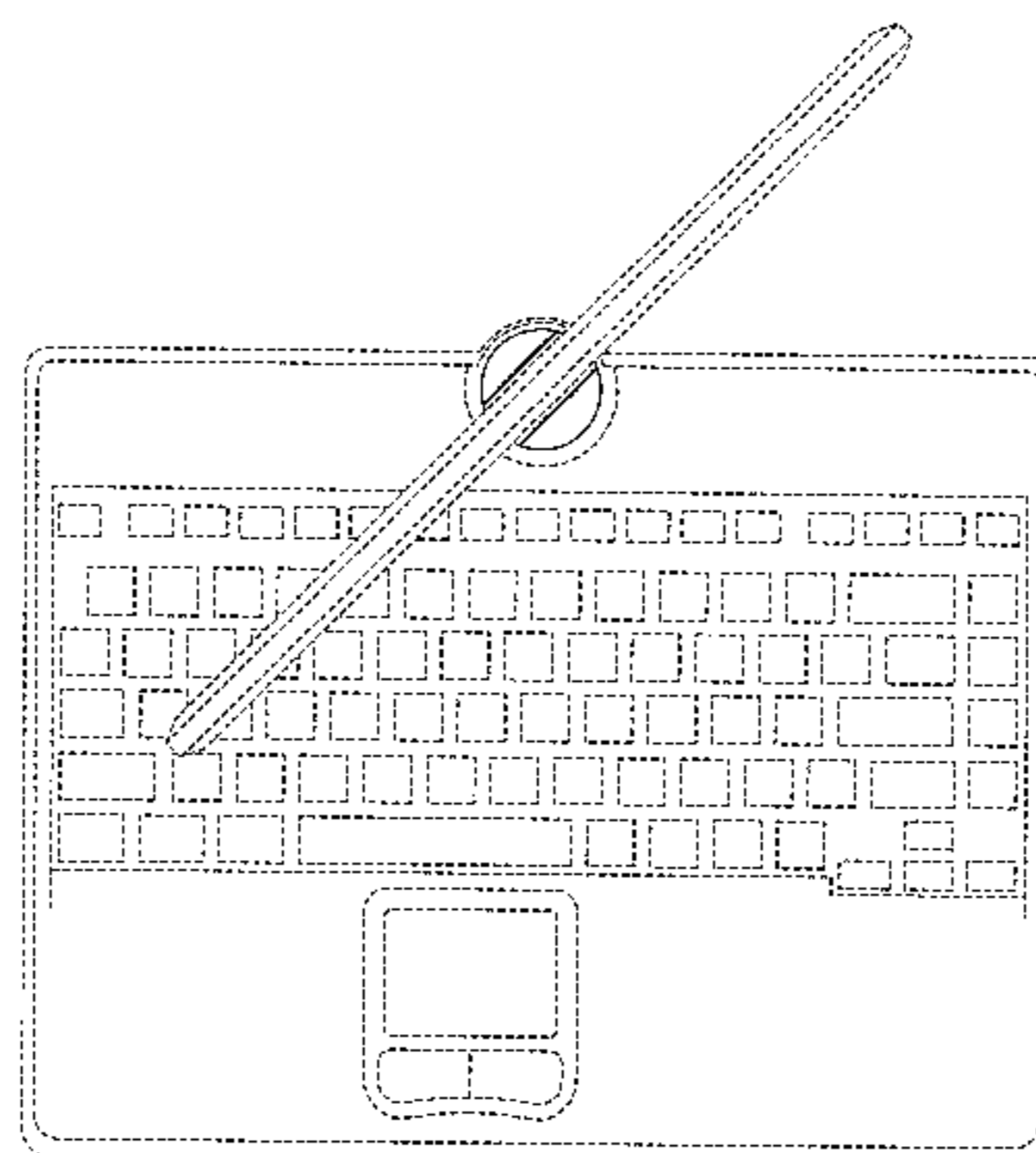
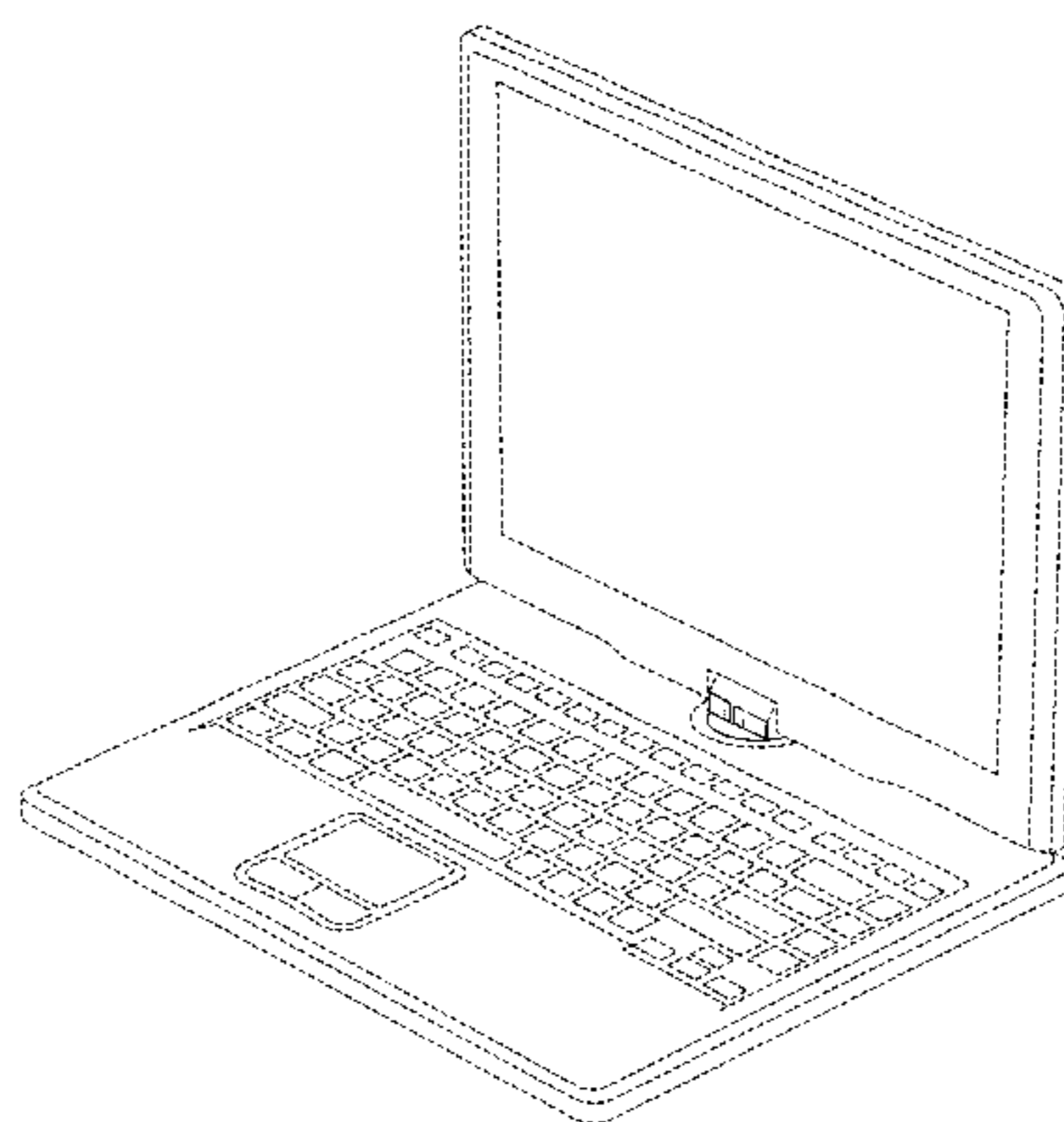


FIG. 1

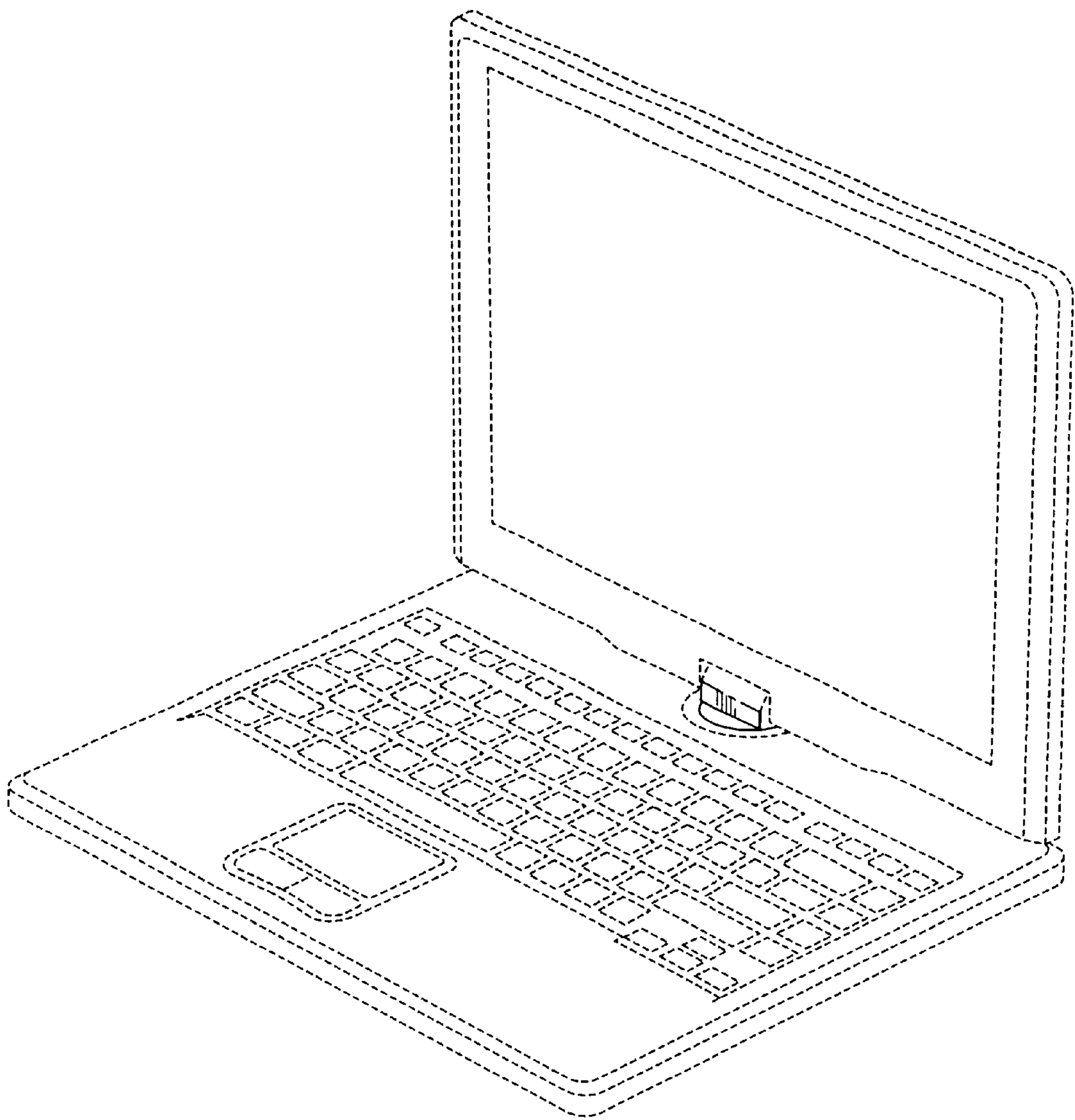


FIG. 2

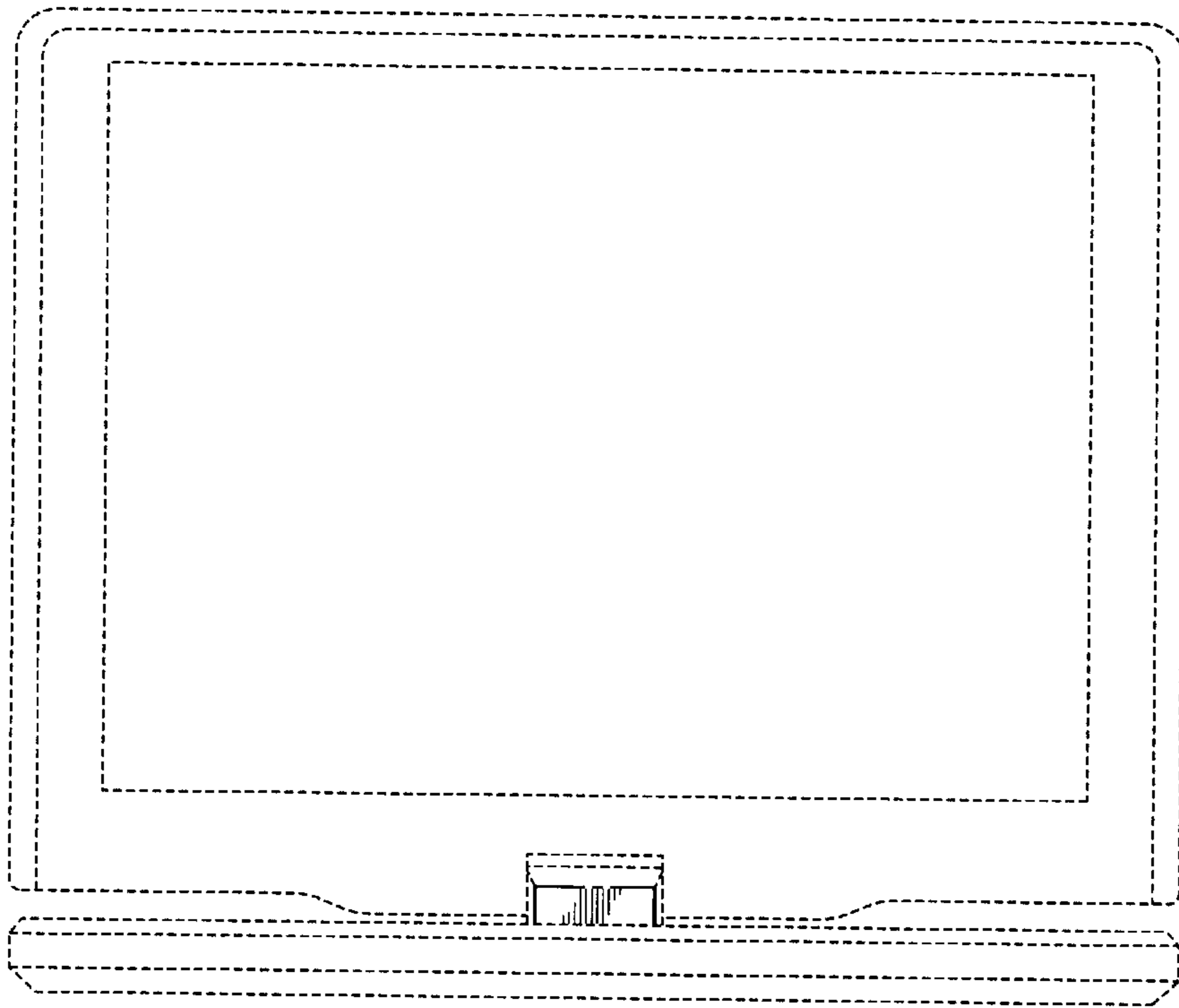


FIG. 3

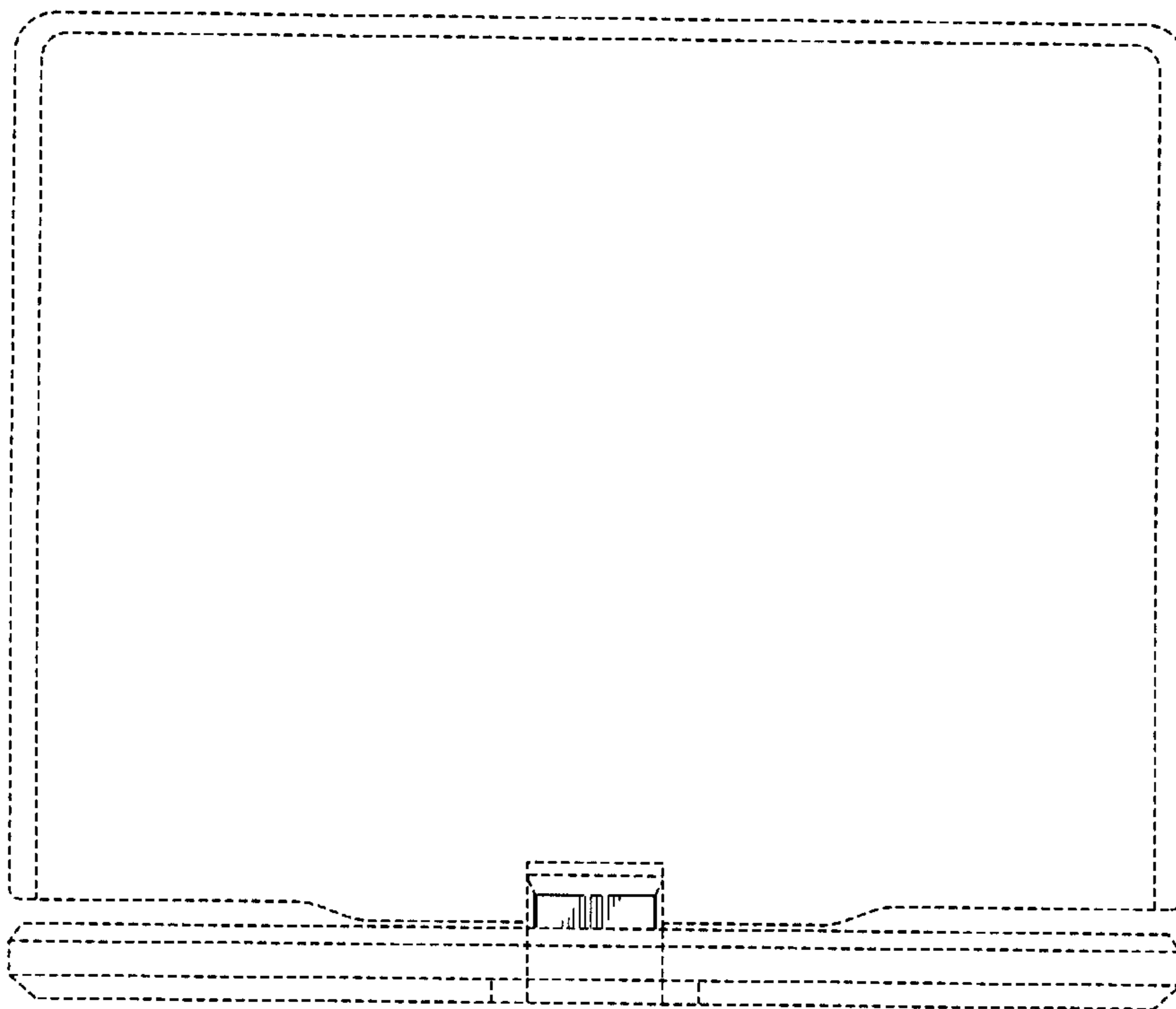


FIG. 4

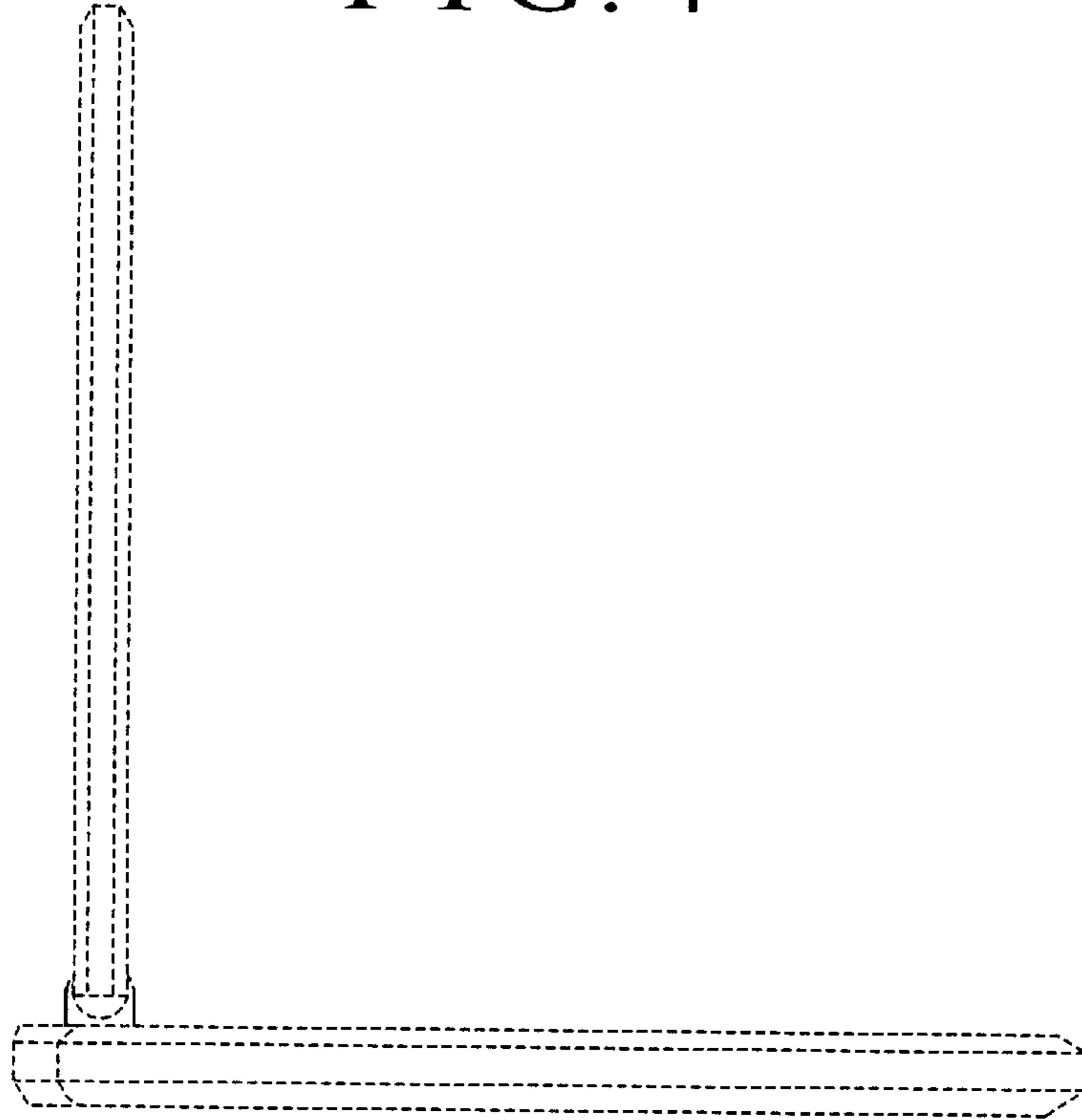


FIG. 5

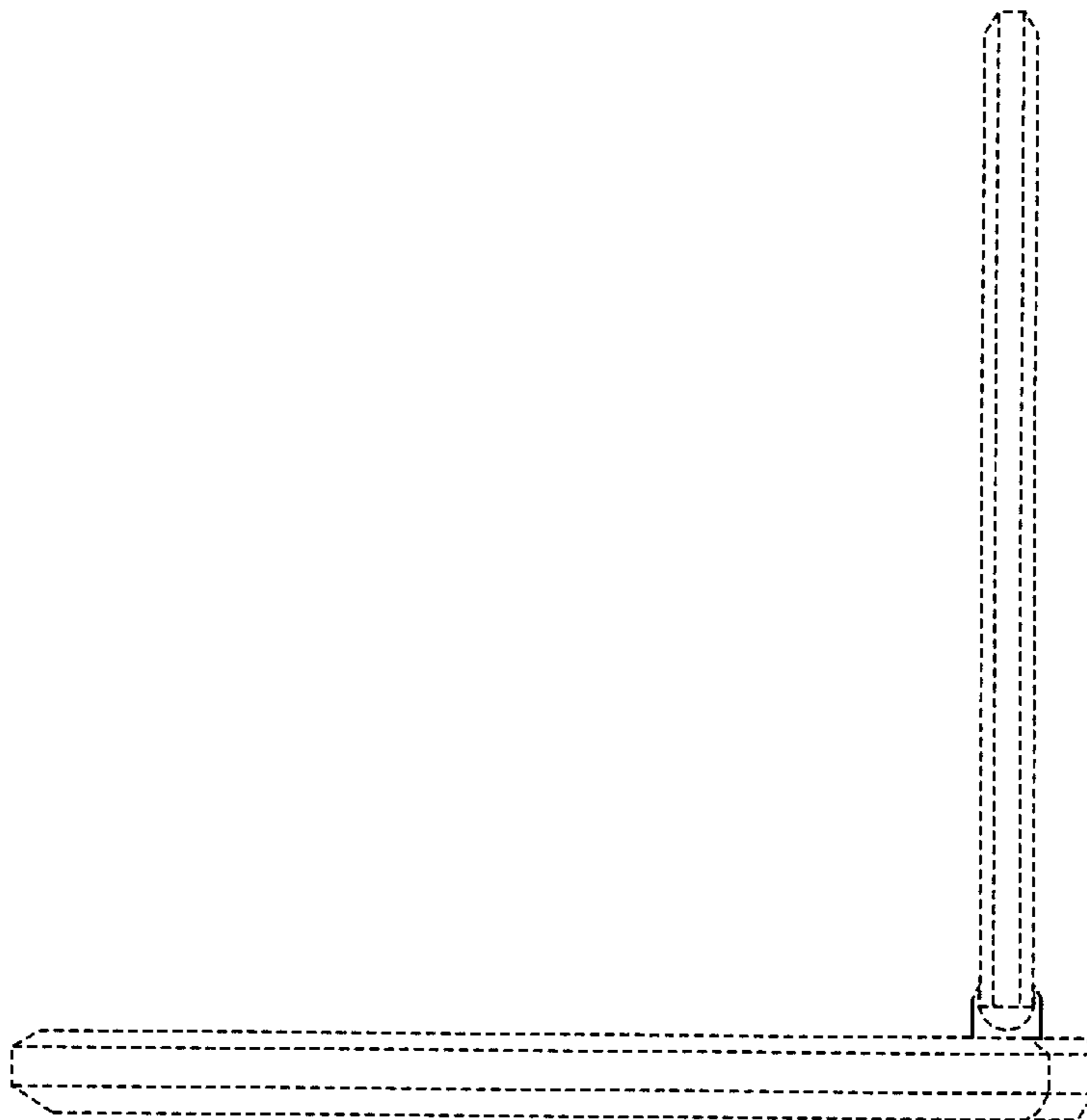


FIG. 6

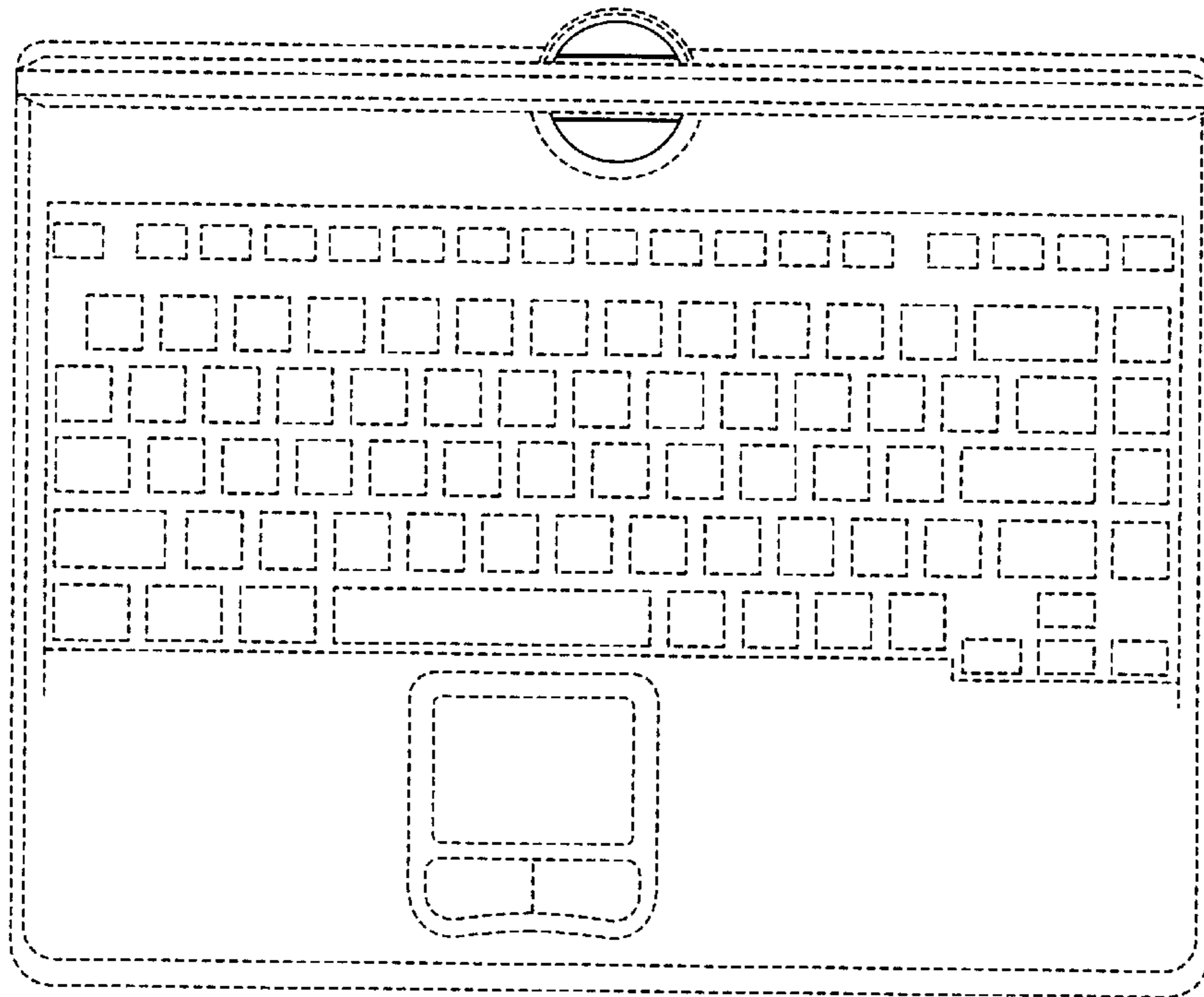


FIG. 7

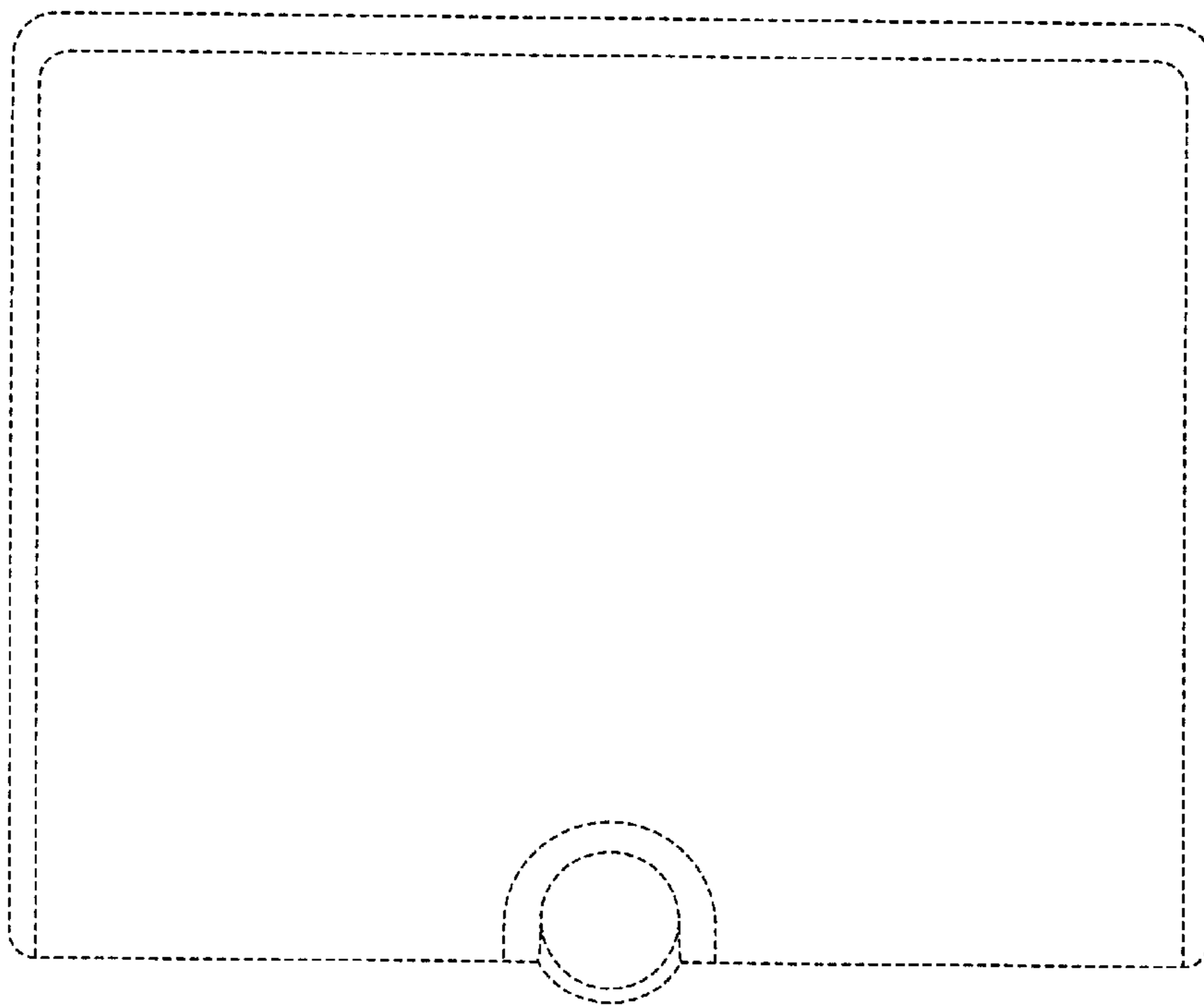


FIG. 8

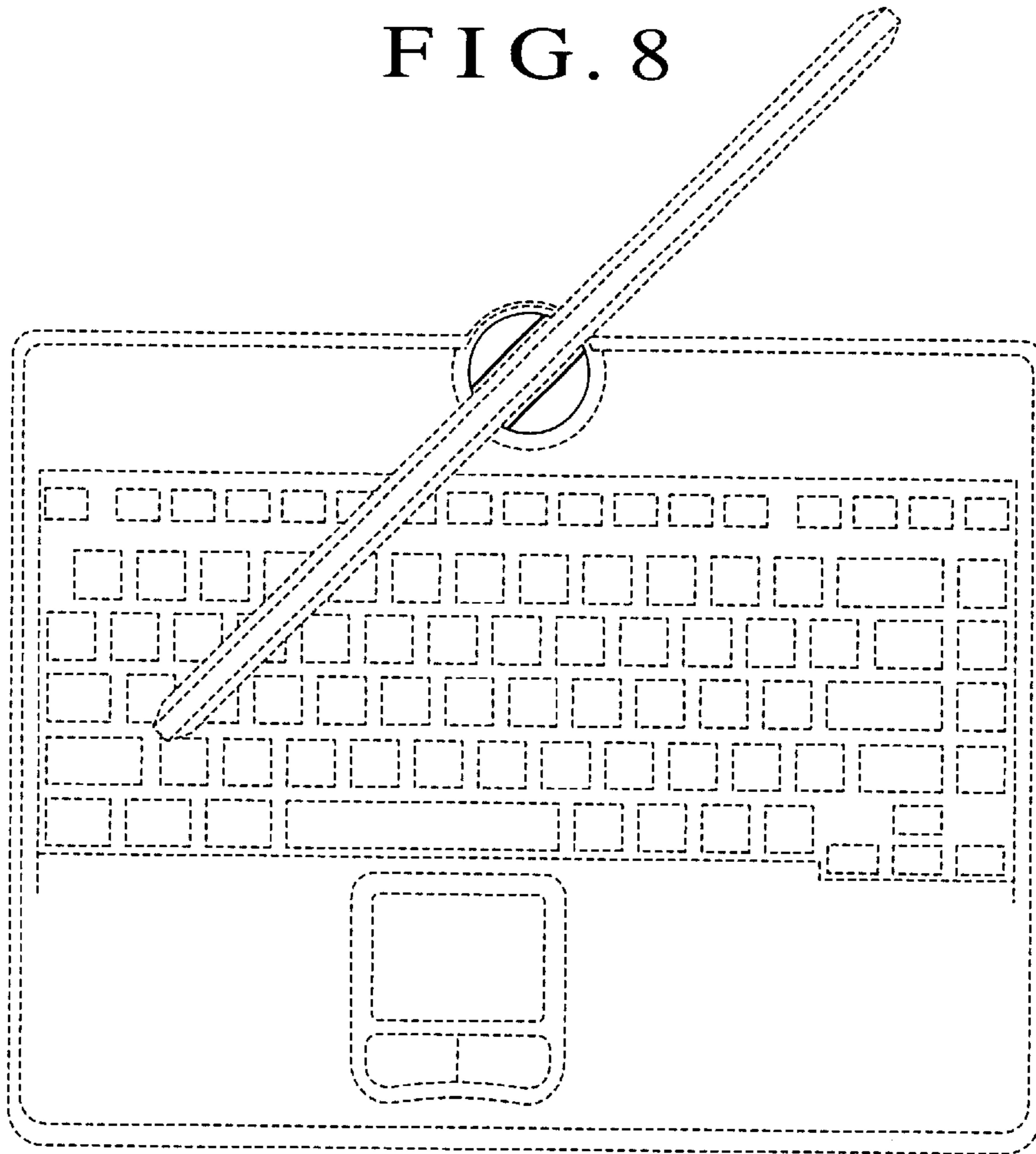


FIG. 9

