



US00D485270S

(12) **United States Design Patent**  
**Peng**

(10) **Patent No.:** **US D485,270 S**

(45) **Date of Patent:** **\*\* Jan. 13, 2004**

(54) **LIQUID CRYSTAL DISPLAY SCREEN**

(75) Inventor: **Juen Tien Peng**, Chung Li (TW)

(73) Assignee: **Action Electronics Co., Ltd.**, Chung Li (TW)

(\*\*) Term: **14 Years**

(21) Appl. No.: **29/162,250**

(22) Filed: **Jun. 13, 2002**

(51) **LOC (7) Cl.** ..... **14-02**

(52) **U.S. Cl.** ..... **D14/371**

(58) **Field of Search** ..... D14/328, 331,  
D14/336, 337, 125-129, 371-375; 345/104,  
156, 168, 173, 901-905; 361/680-686;  
364/708.1, 709.04, 709.12; 358/249, 254

(56) **References Cited**

**U.S. PATENT DOCUMENTS**

D294,578 S	*	3/1988	Yubisui	.....	D14/328
D298,537 S	*	11/1988	WaltersI et al.	.....	D14/328
D319,222 S	*	8/1991	Mizusugi et al.	.....	D14/331
5,260,884 A	*	11/1993	Stern	.....	361/680
D378,083 S	*	2/1997	Ando	.....	D14/336

\* cited by examiner

*Primary Examiner*—Freda Nunn

(74) *Attorney, Agent, or Firm*—Birch, Stewart, Kolasch & Birch, LLP

(57) **CLAIM**

The ornamental design for a liquid crystal display screen, as shown and described.

**DESCRIPTION**

FIG. 1 is a front elevational view of the liquid crystal display screen showing my new design;  
 FIG. 2 is a rear elevational view thereof;  
 FIG. 3 is a leftside elevational view thereof;  
 FIG. 4 is a rightside elevational view thereof;  
 FIG. 5 is a top view thereof;  
 FIG. 6 is a bottom view thereof;  
 FIG. 7 is a perspective view thereof;  
 FIG. 8 is a front view in use thereof;  
 FIG. 9 is a rear view in use thereof;  
 FIG. 10 is a leftside view in use thereof in the closed position;  
 FIG. 11 is a rightside view in use thereof in the closed position;  
 FIG. 12 is a top view in use thereof;  
 FIG. 13 is a bottom view in use thereof;  
 FIG. 14 is a perspective view in use thereof, in which the liquid crystal display screen is assembled to a mainframe; and,  
 FIG. 15 is another perspective view in use thereof in the closed position.

The mainframe is shown in broken lines in the view for illustrative purposes only and forms no part of the claimed design.

**1 Claim, 9 Drawing Sheets**

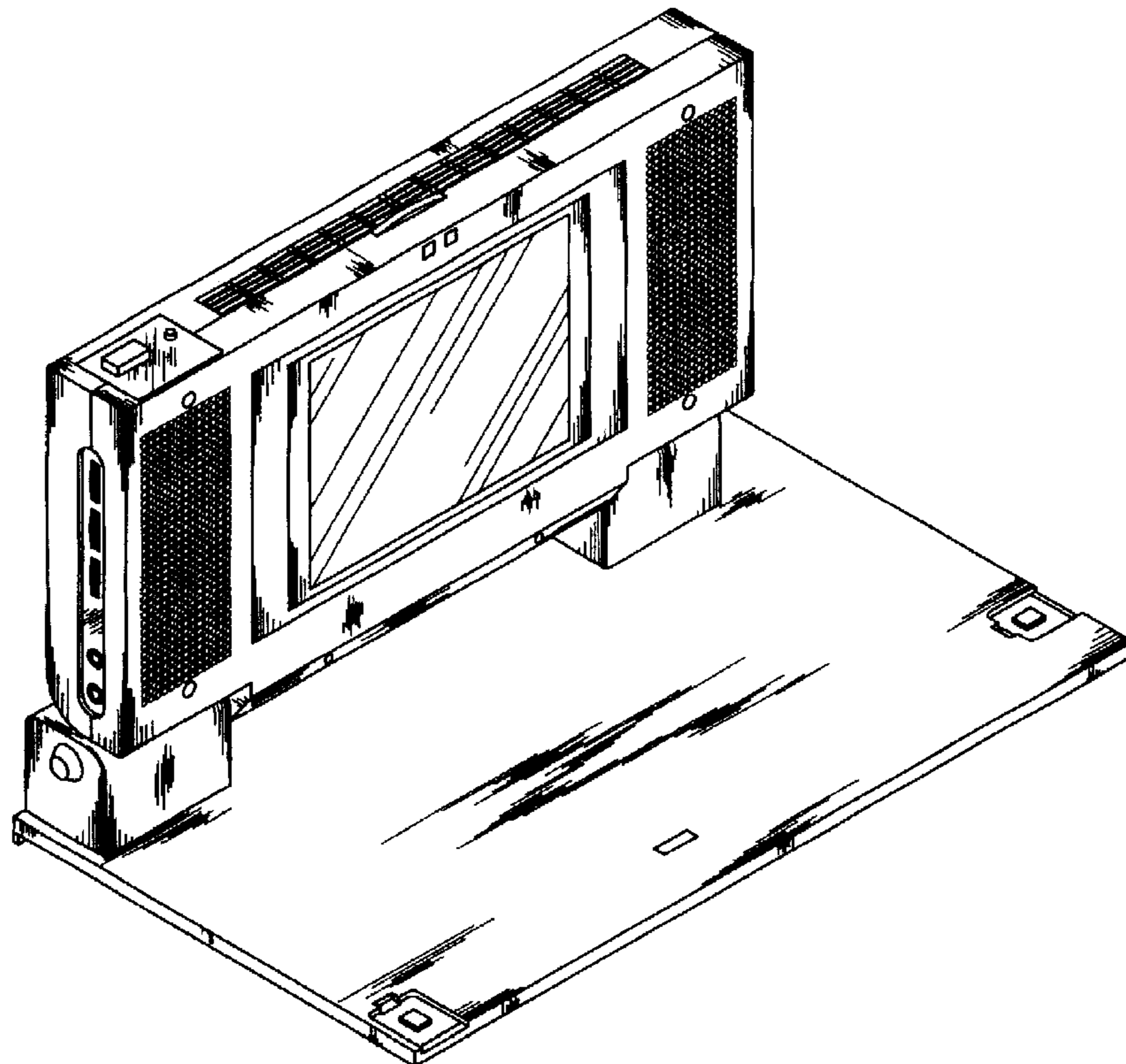


FIG. 1

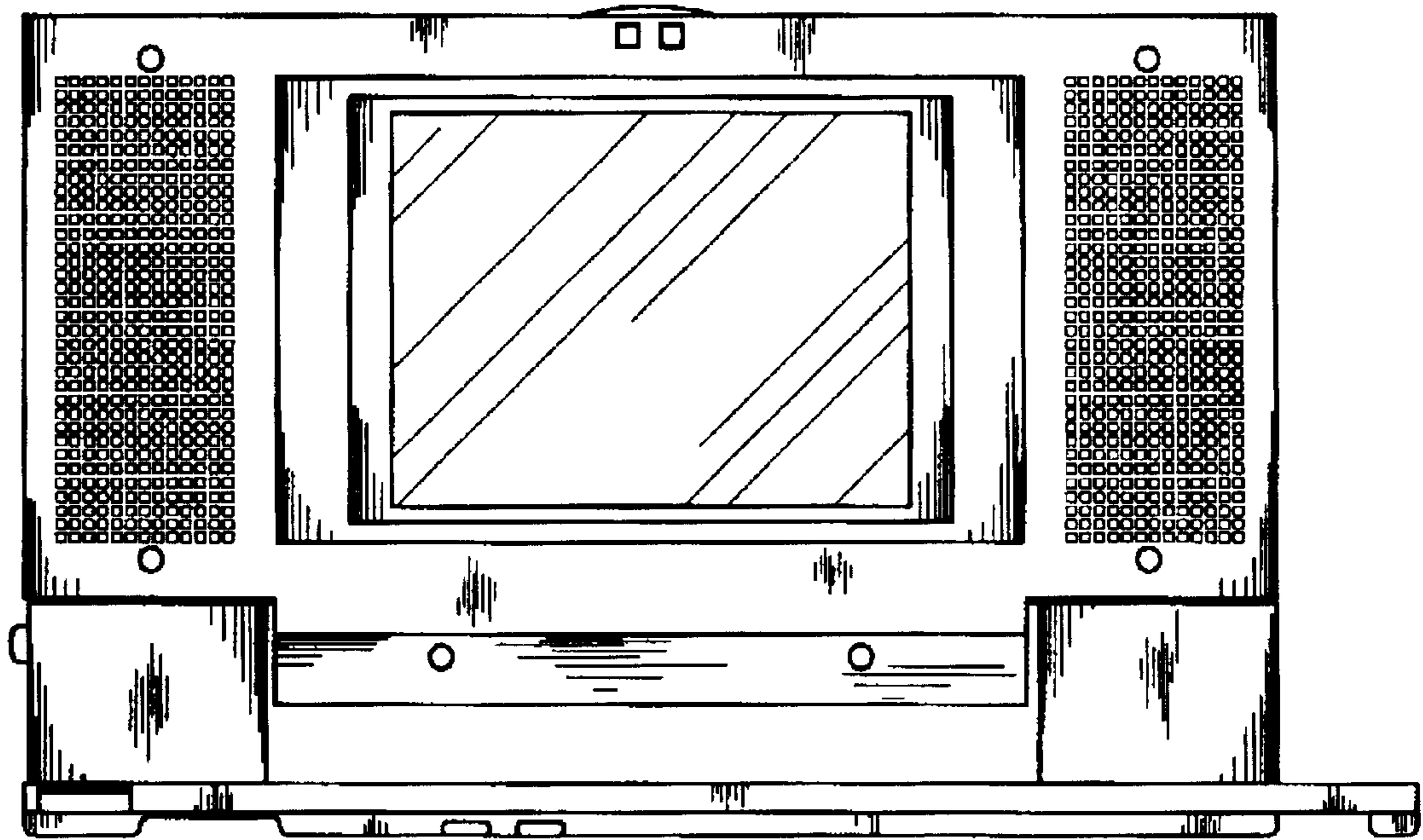


FIG. 2

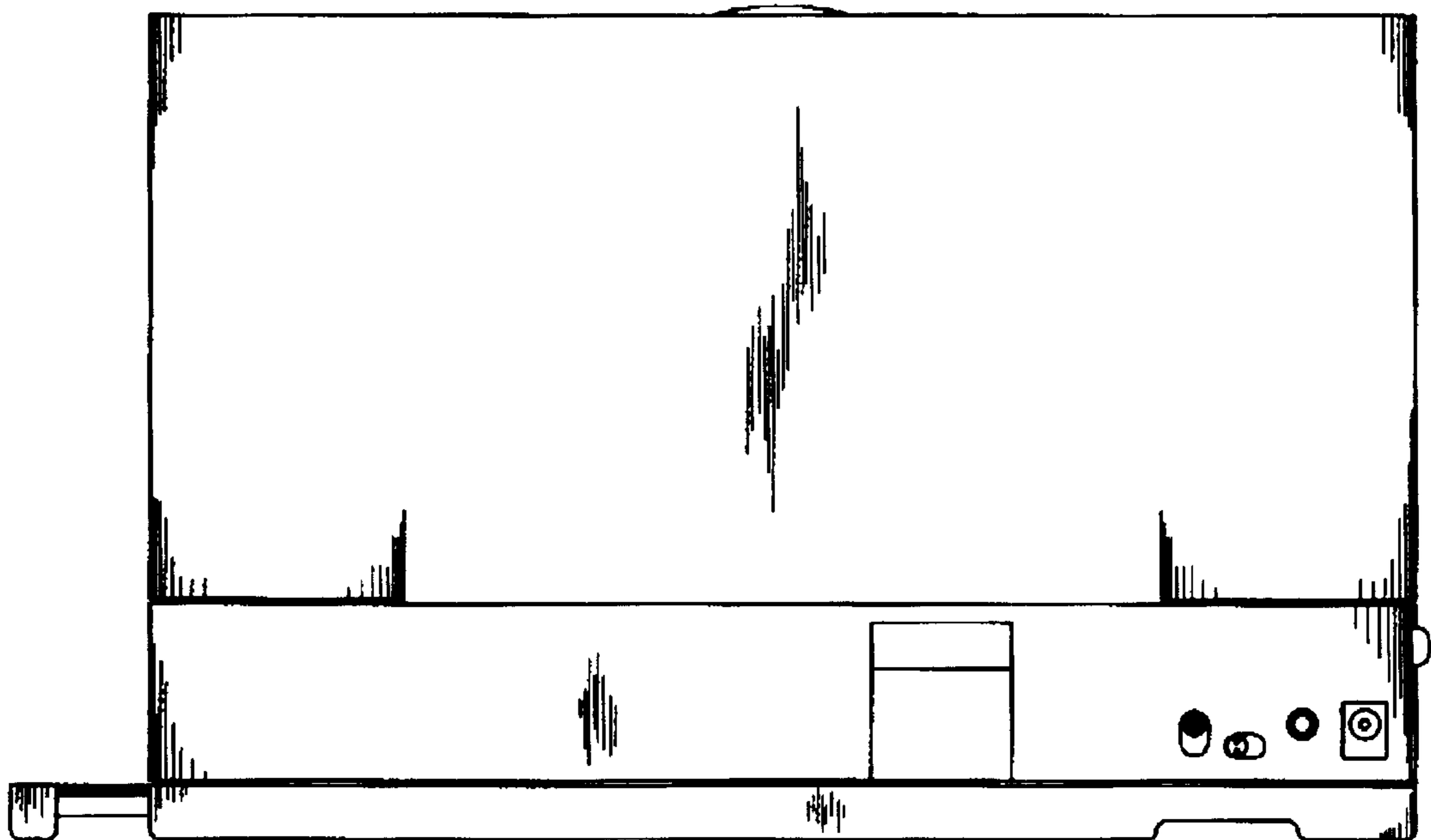


FIG. 3

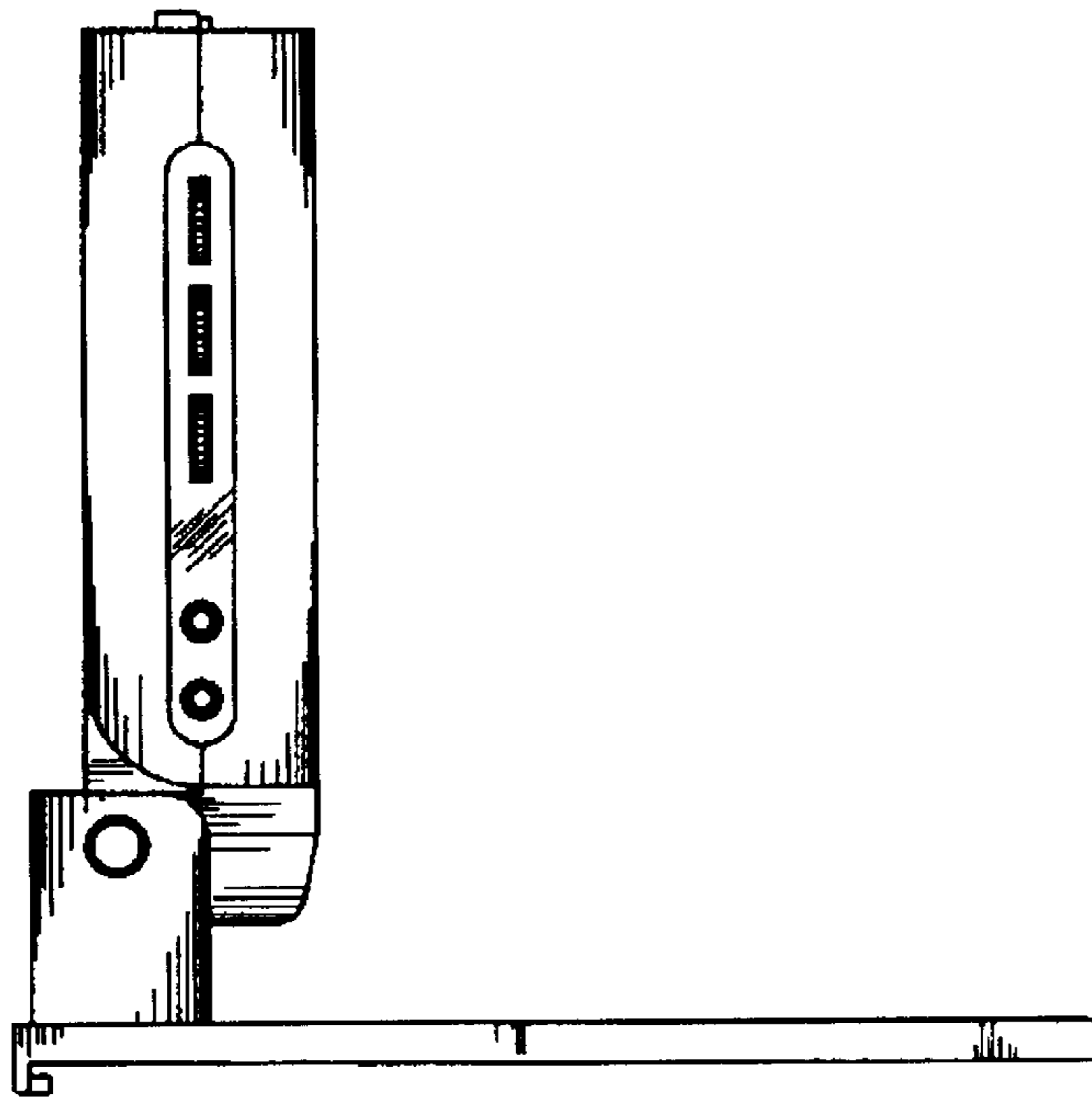


FIG. 4

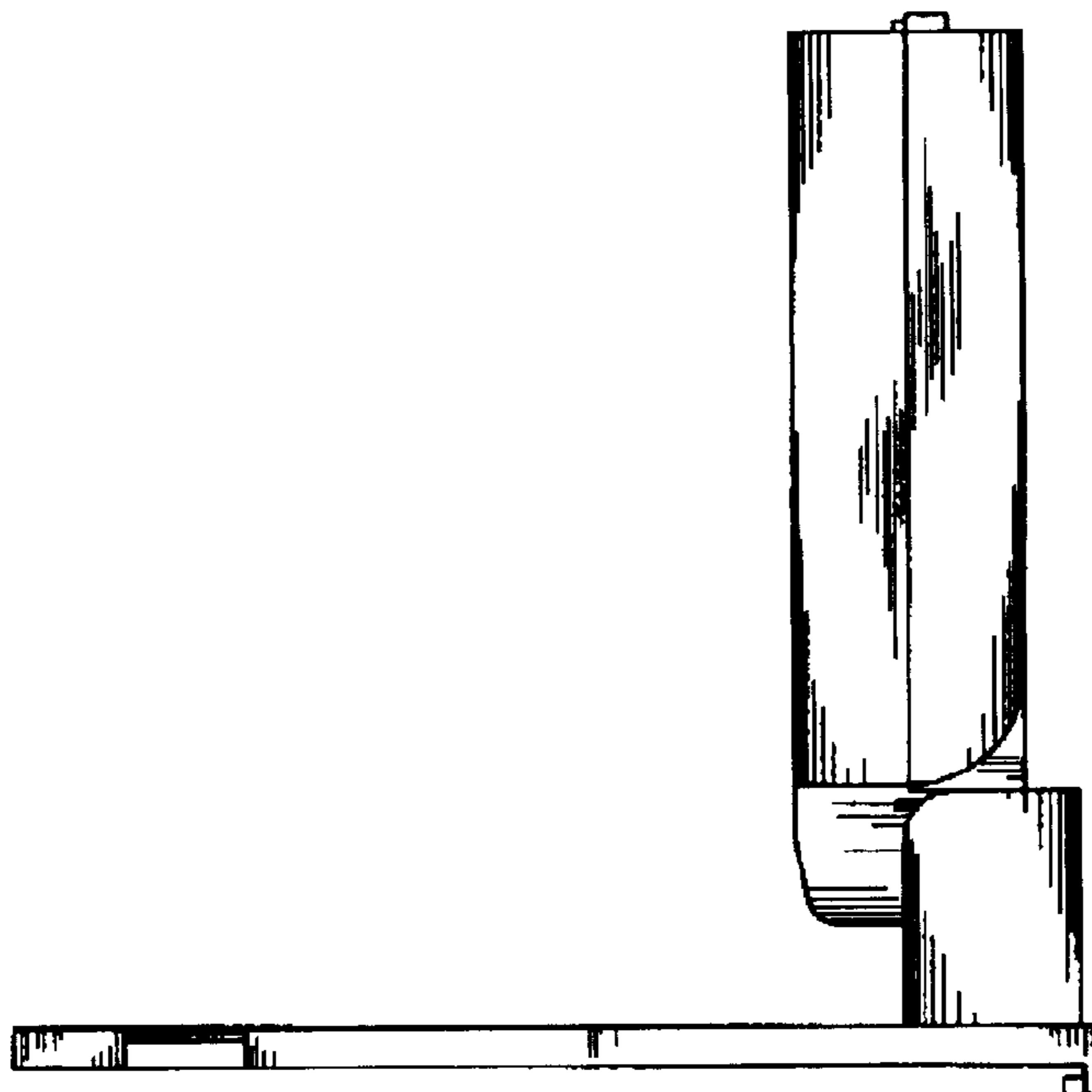


FIG. 5

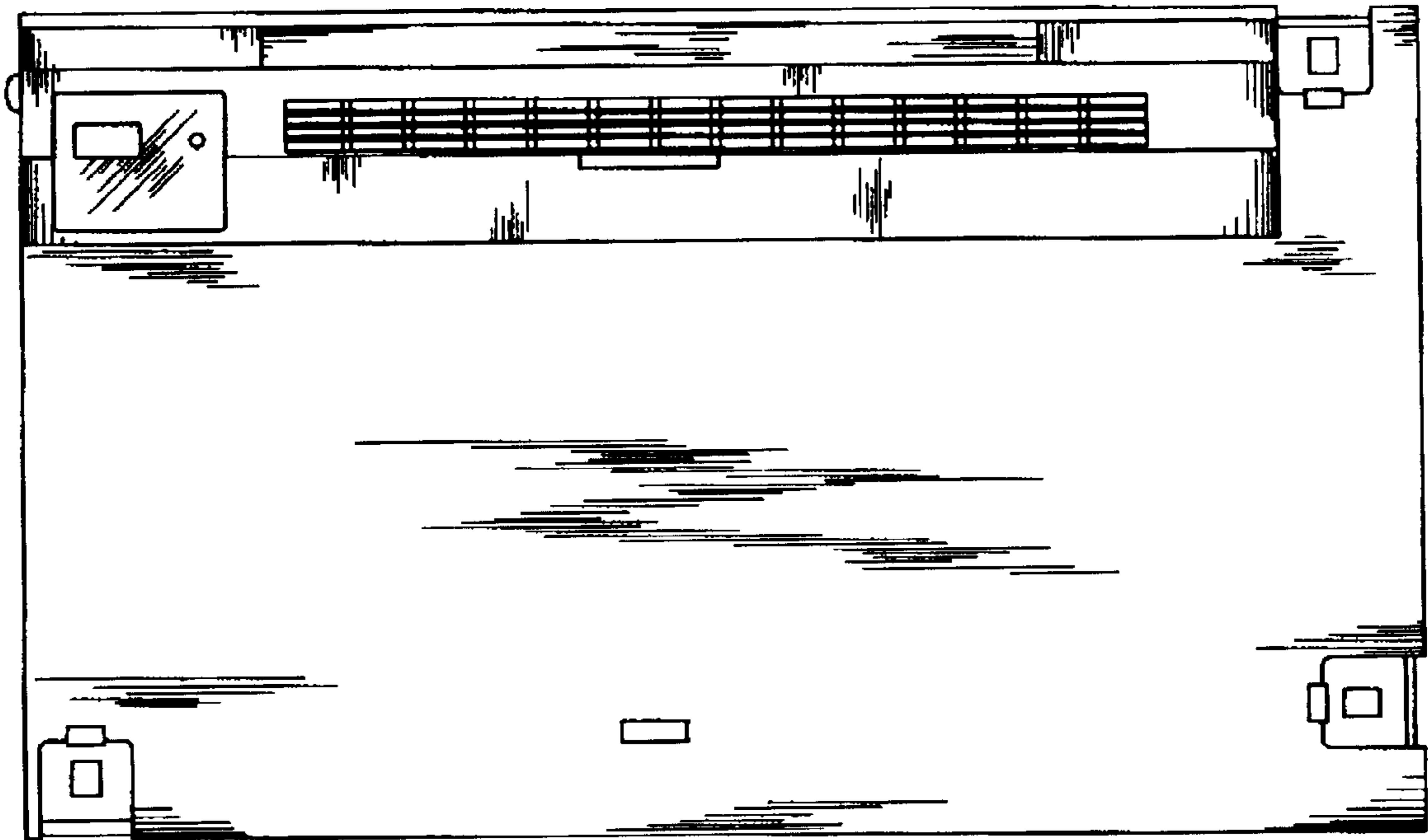


FIG. 6

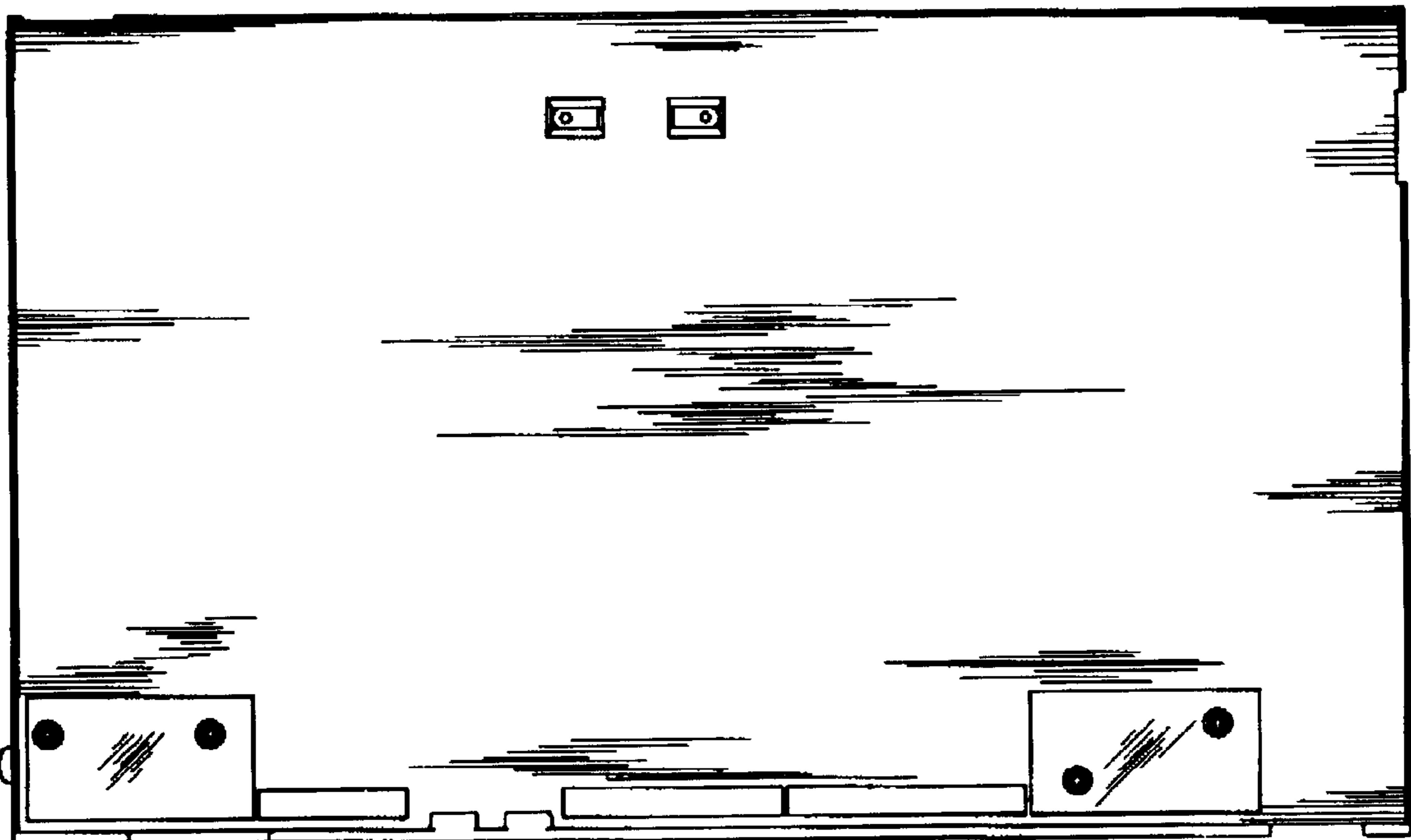


FIG. 7

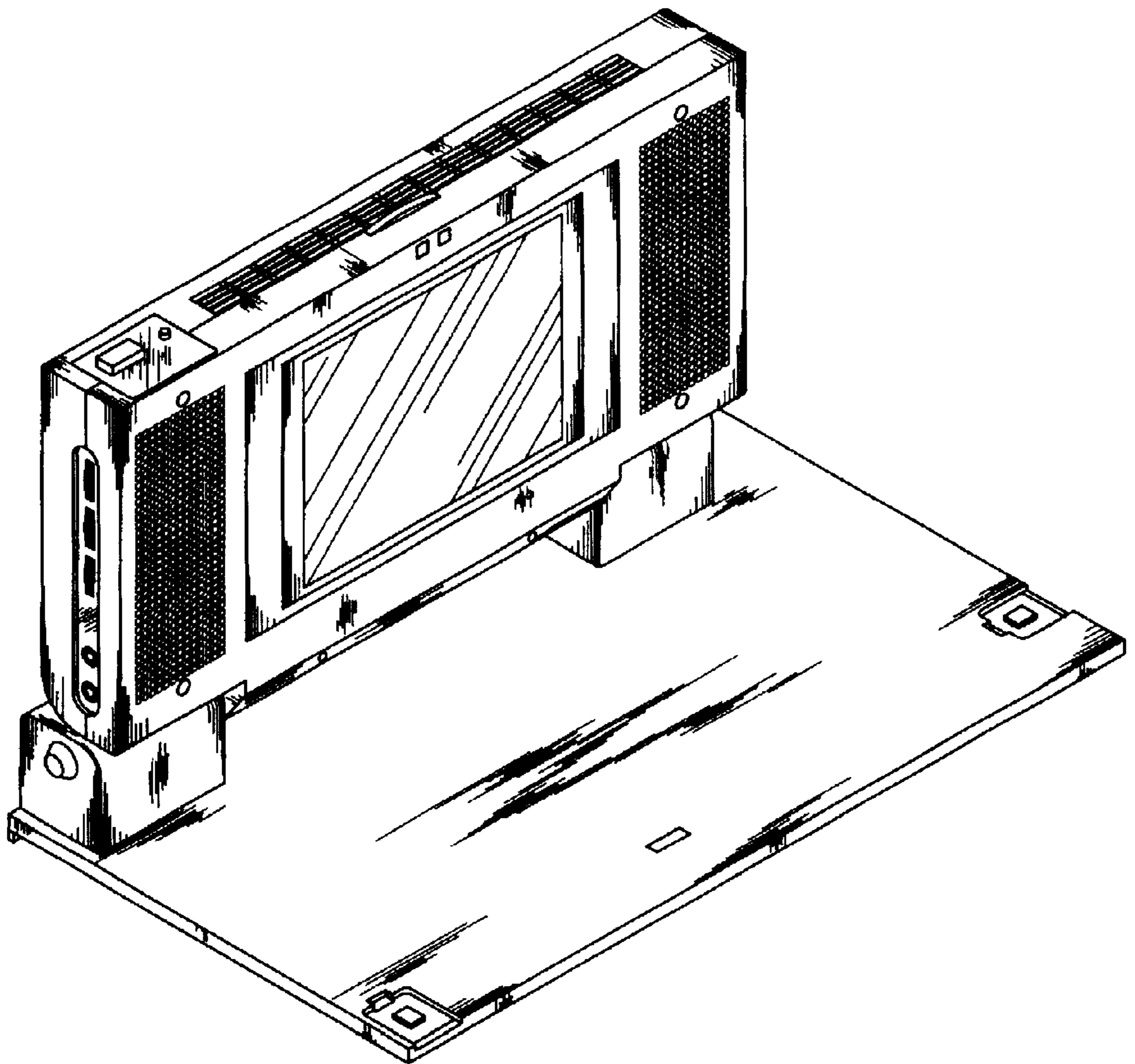




FIG. 8

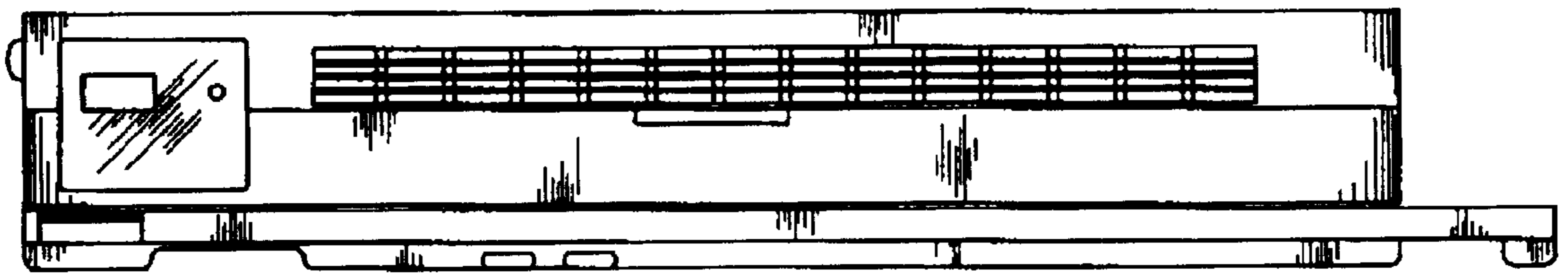


FIG. 9

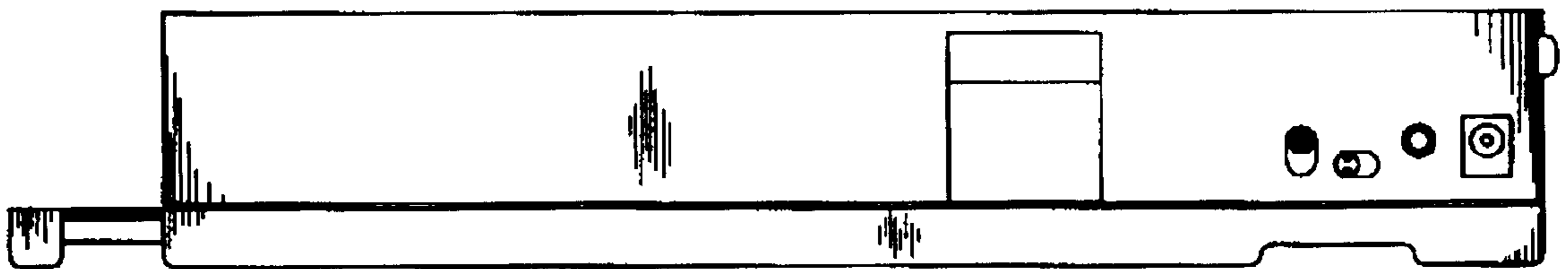


FIG. 10

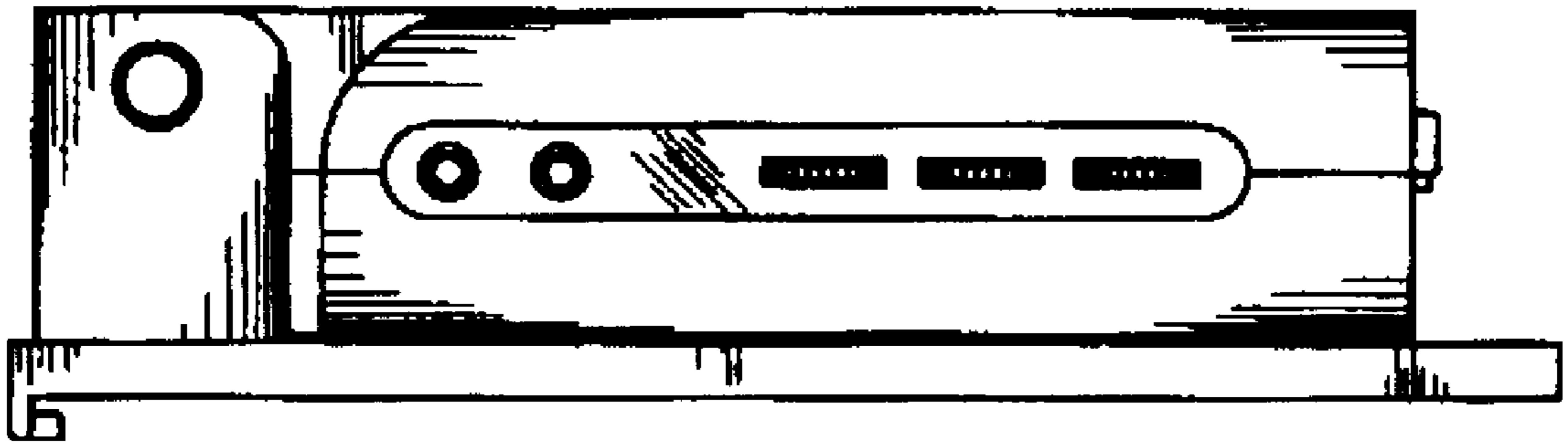


FIG. 11

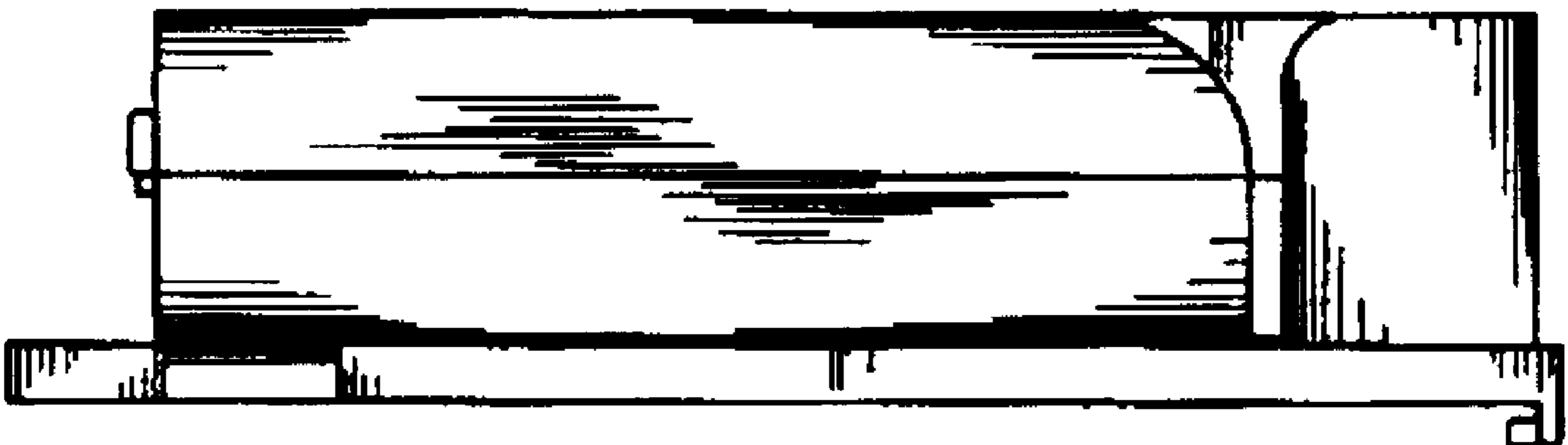


FIG. 12

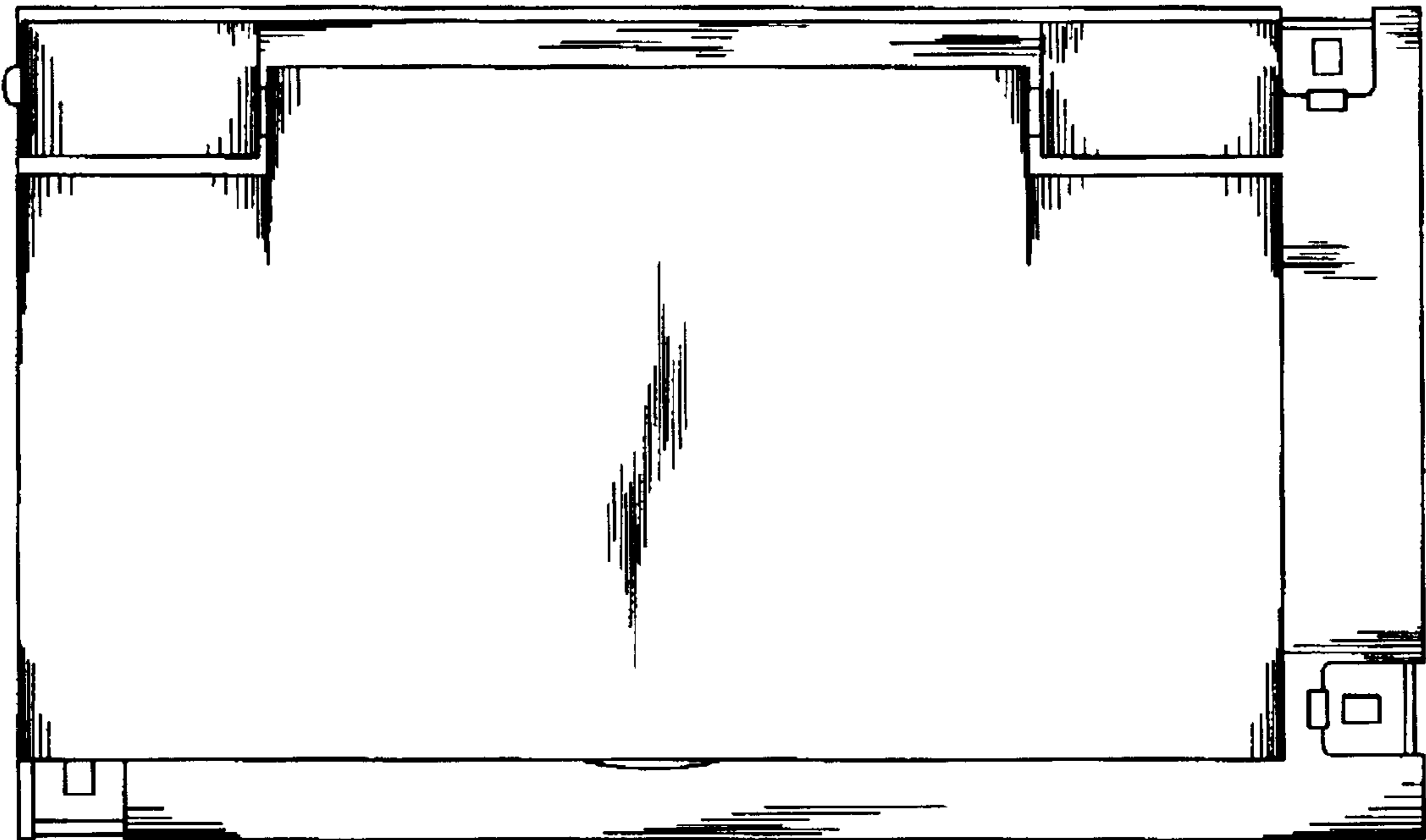


FIG. 13

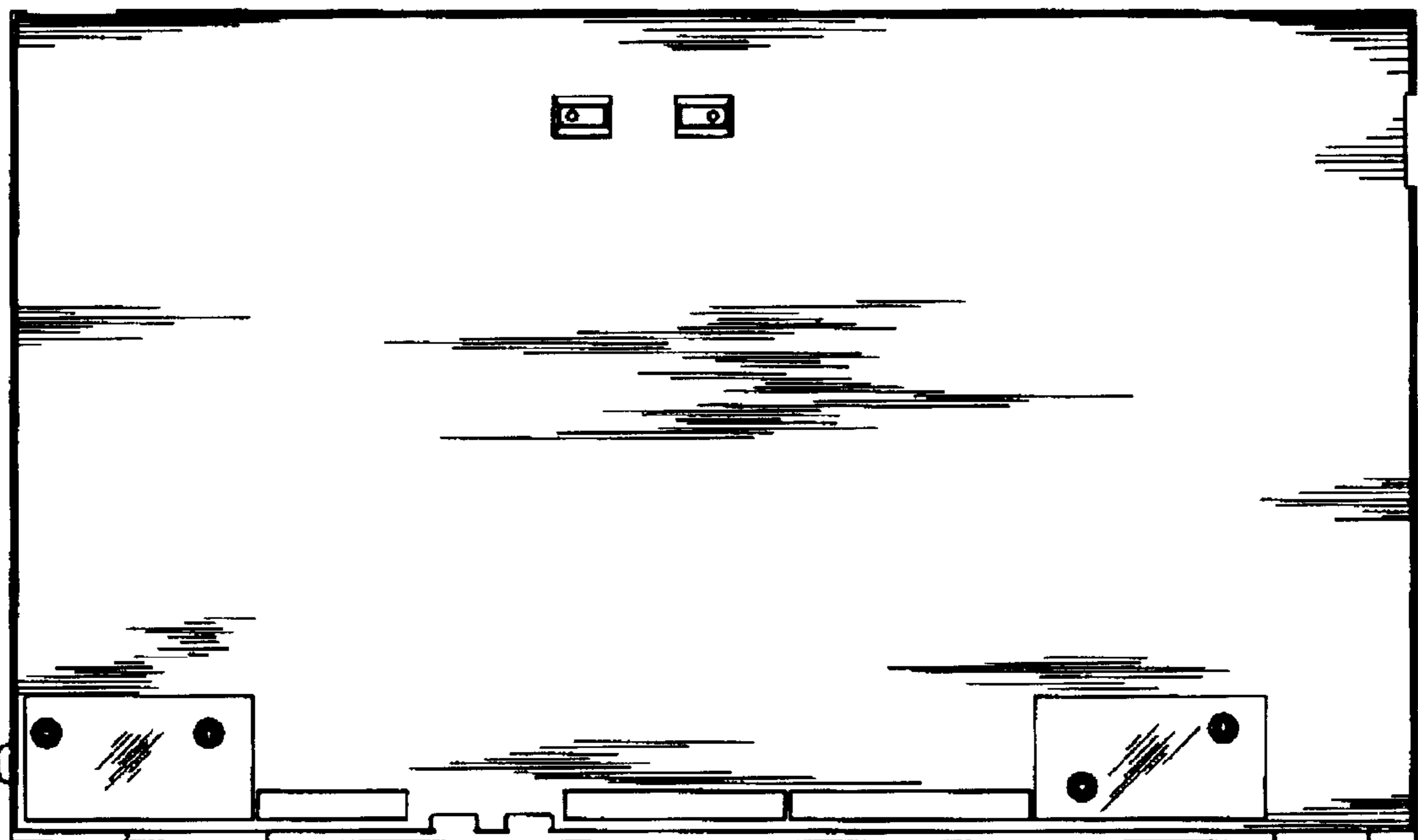




FIG. 14

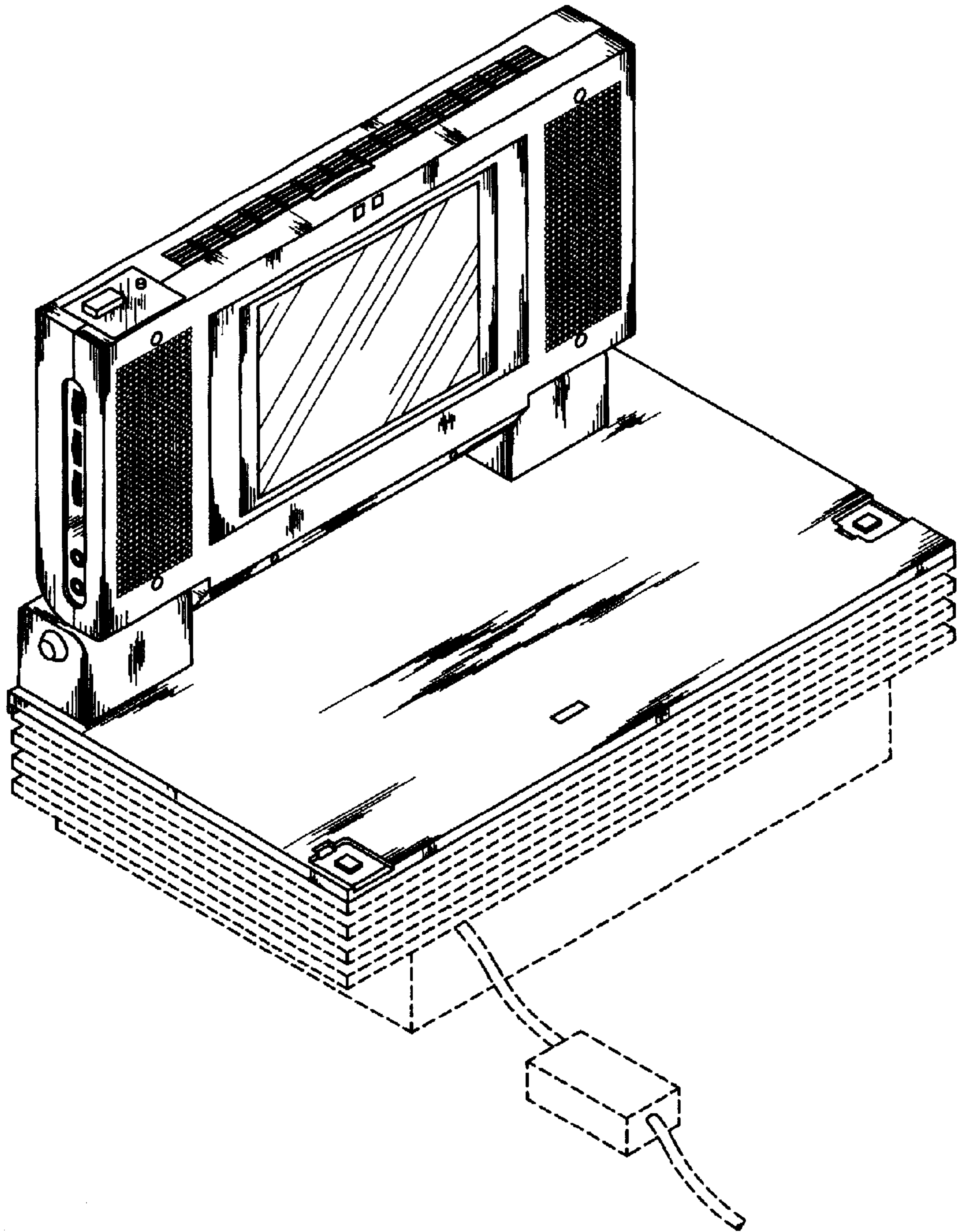


FIG. 15

