



US00D485264S

(12) **United States Design Patent**  
**Chen et al.**

(10) **Patent No.:** **US D485,264 S**

(45) **Date of Patent:** **\*\* Jan. 13, 2004**

(54) **MOBILE COMPUTER**

(75) Inventors: **Yun Lung Chen**, Tu-chen (TW);  
**Qing-Hua Huang**, Shenzhen (CN);  
**Gang Su**, Shenzhen (CN); **Yi-Ze Fang**,  
Shenzhen (CN)

(73) Assignee: **Hon Hai Precision Ind. Co., Ltd.**,  
Taipei Hsien (TW)

(\*\*) Term: **14 Years**

(21) Appl. No.: **29/171,121**

(22) Filed: **Nov. 15, 2002**

(51) **LOC (7) Cl.** ..... **14-02**

(52) **U.S. Cl.** ..... **D14/322**

(58) **Field of Search** ..... D14/315-322;  
D18/1, 2, 7; 235/145 A, 145 R; 341/22,  
23; 345/104, 156, 168, 169, 173; 361/680-686;  
400/484-489; 708/105

(56) **References Cited**

**U.S. PATENT DOCUMENTS**

D371,766 S \* 7/1996 Lucente et al. .... D14/326

D401,572 S \* 11/1998 Tanaka ..... D14/322  
5,898,600 A \* 4/1999 Isashi ..... 708/105  
D413,581 S \* 9/1999 Park ..... D14/341

\* cited by examiner

*Primary Examiner*—Freda Nunn

(74) *Attorney, Agent, or Firm*—Wei Te Chung

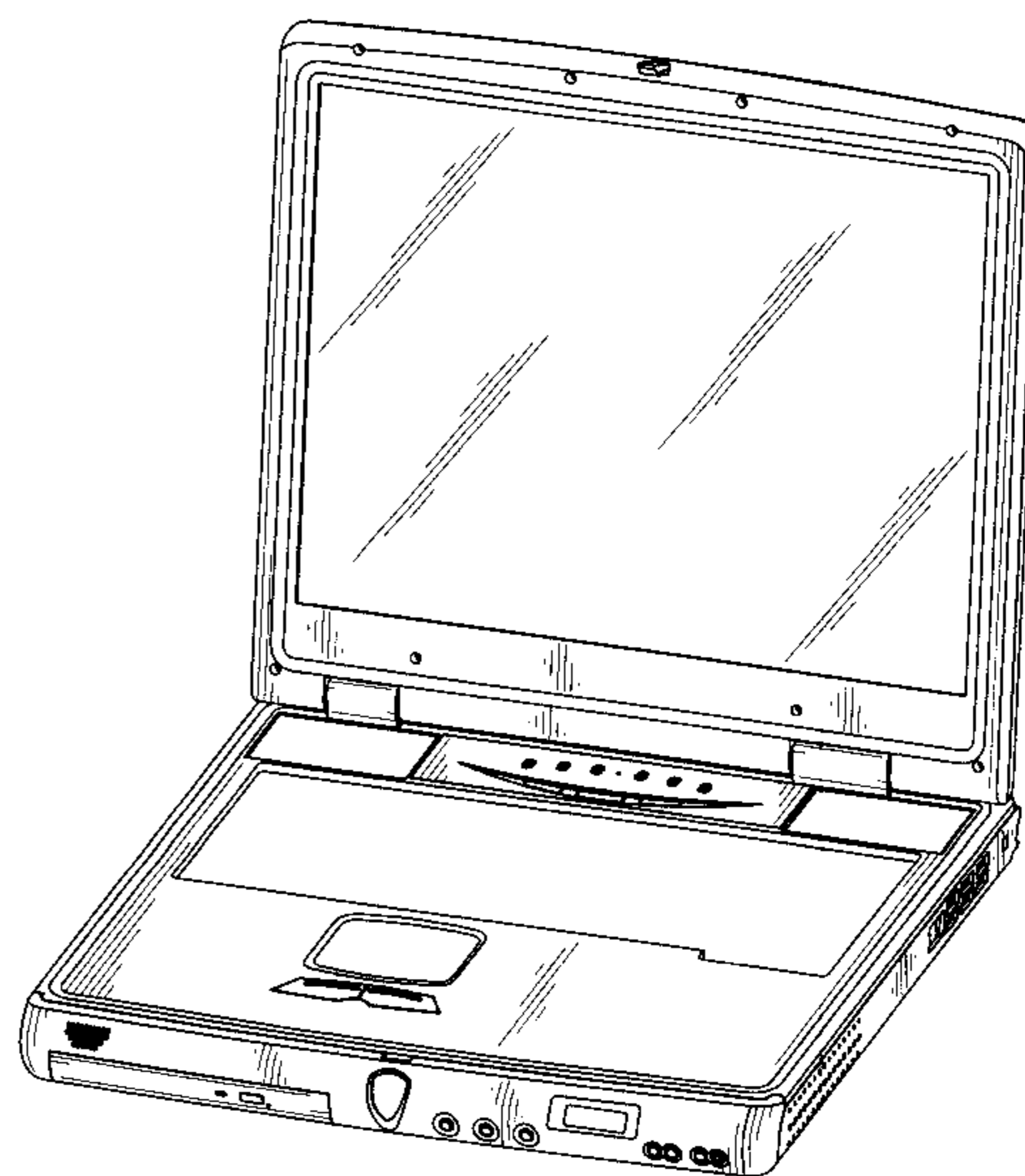
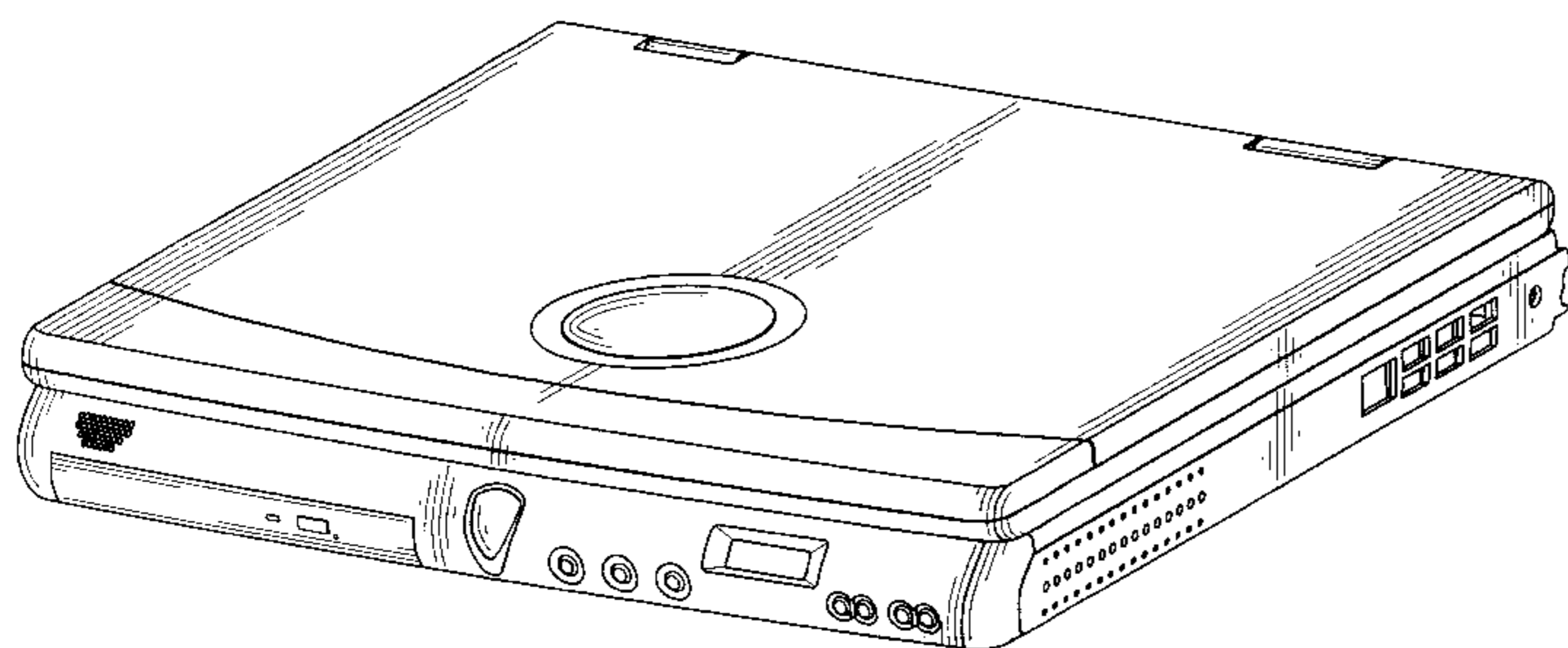
(57) **CLAIM**

The ornamental design for a mobile computer, as shown and described.

**DESCRIPTION**

FIG. 1 is a perspective view of a mobile computer of our new design;  
FIG. 2 is a front elevational view thereof;  
FIG. 3 is a rear elevational view thereof;  
FIG. 4 is a left side elevational view thereof;  
FIG. 5 is a right side elevational view thereof;  
FIG. 6 is a top plan view thereof;  
FIG. 7 is a bottom plan view thereof; and,  
FIG. 8 is similar to FIG. 1, but showing the mobile computer in an open state.

**1 Claim, 6 Drawing Sheets**



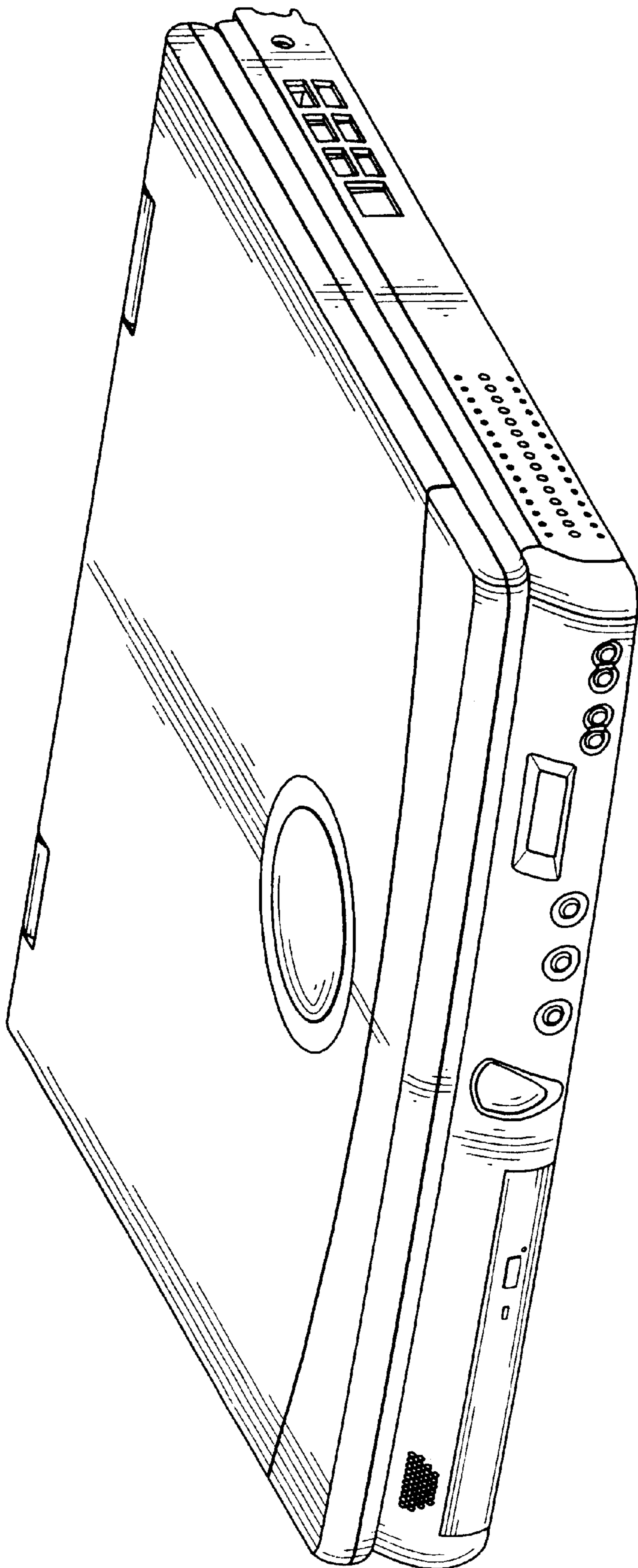


FIG. 1

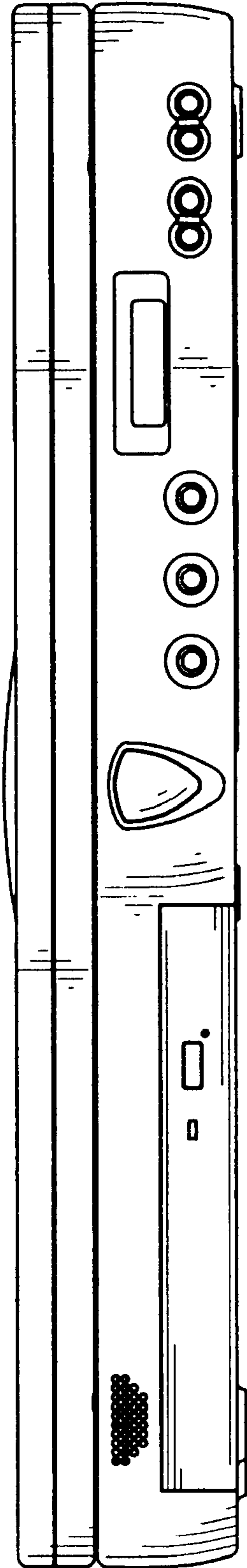


FIG. 2

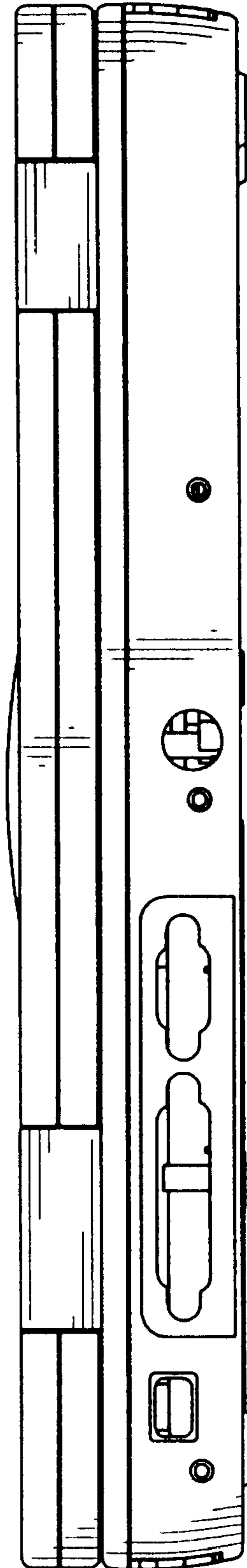


FIG. 3

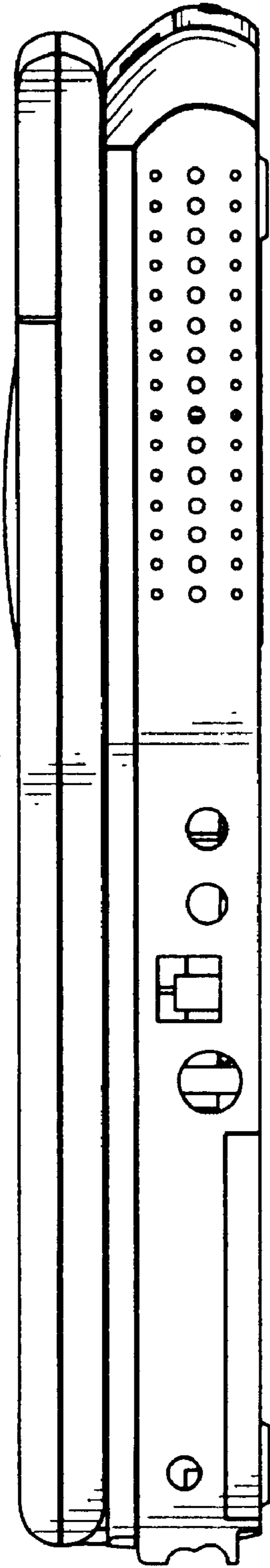


FIG. 4

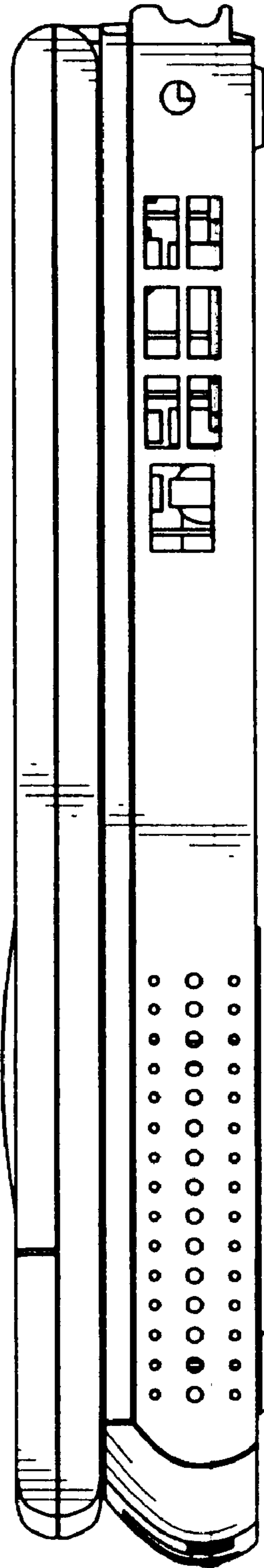


FIG. 5

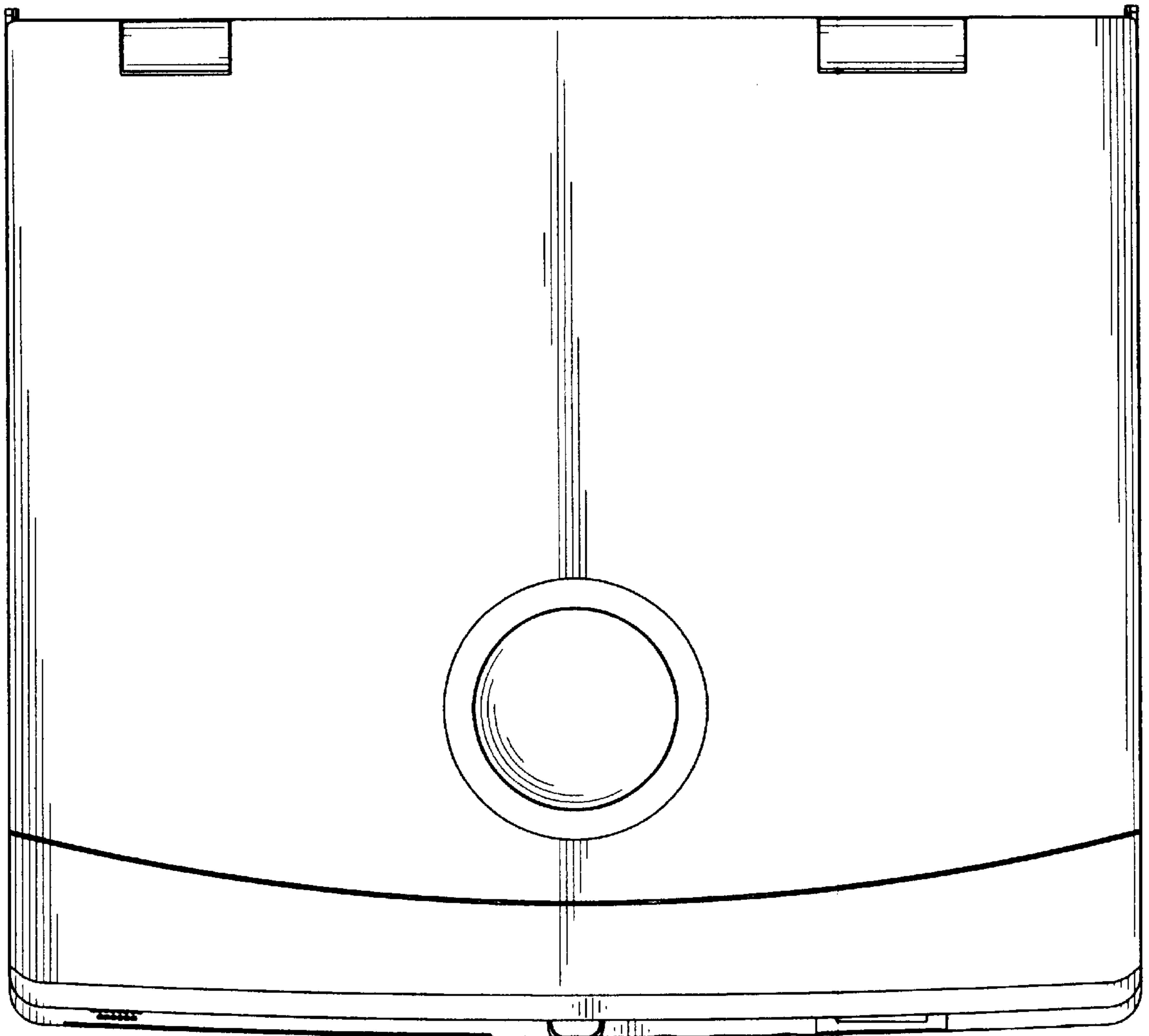


FIG. 6

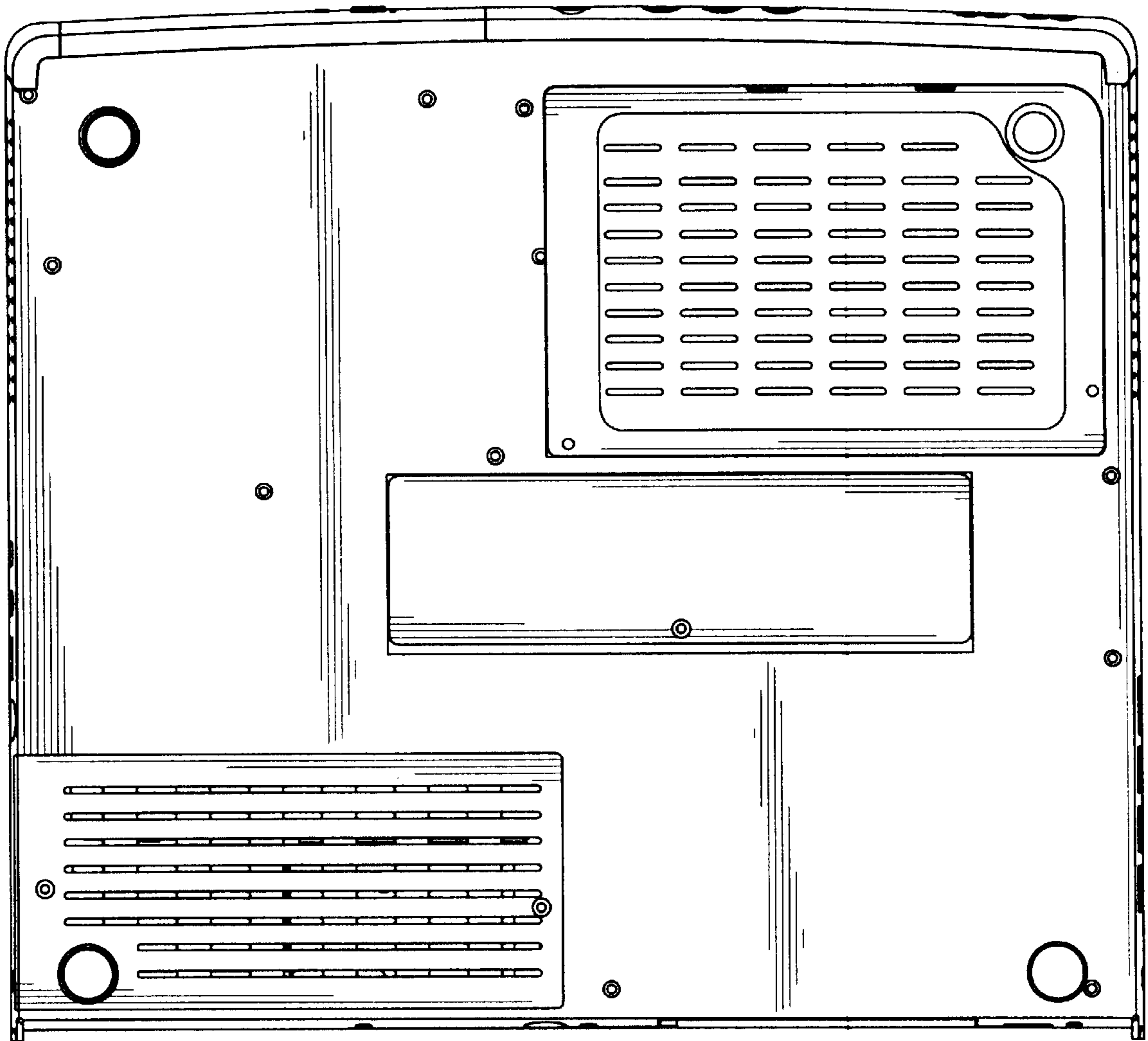


FIG. 7



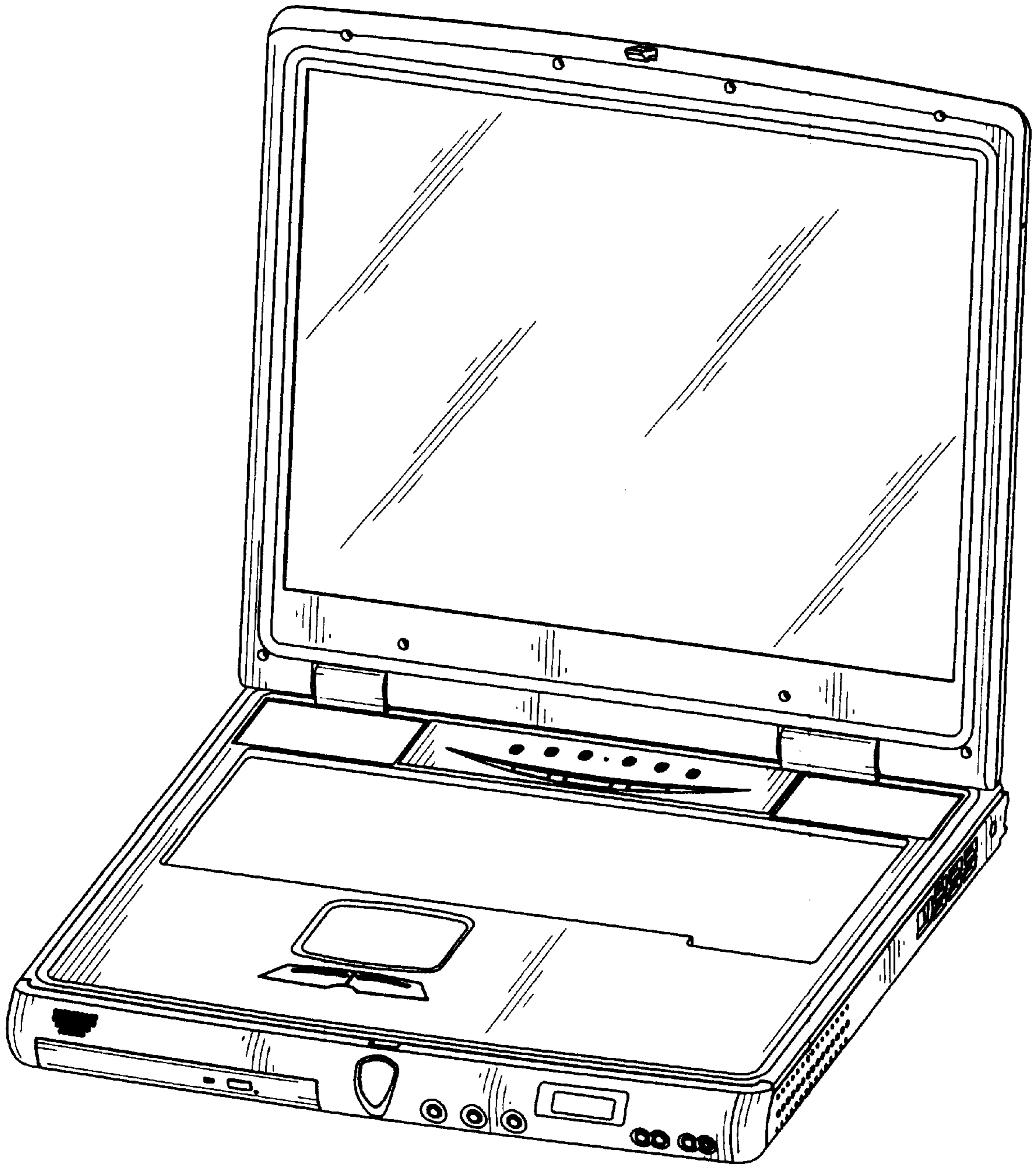


FIG. 8