



US00D485260S

(12) **United States Design Patent**  
**Quilling, II et al.**

(10) **Patent No.:** **US D485,260 S**

(45) **Date of Patent:** **\*\* Jan. 13, 2004**

(54) **FLARED-SIDE DUAL COMPARTMENT  
AUTO STEREO MOUNTING DEVICE**

(75) Inventors: **R. Spencer Quilling, II**, Glenwood, FL  
(US); **Jacqueline S. Upson**, Daytona  
Beach, FL (US)

(73) Assignee: **Metra Electronics Corporation**, Holly  
Hill, FL (US)

(\*\*) Term: **14 Years**

(21) Appl. No.: **29/167,880**

(22) Filed: **Sep. 24, 2002**

(51) **LOC (7) Cl.** ..... **14-01**

(52) **U.S. Cl.** ..... **D14/224**

(58) **Field of Search** ..... D14/204, 217,  
D14/224, 229, 258; D12/223; 248/27.1,  
27.3, 558, 221.3, 220.2, 221.4; 403/4; 455/345;  
361/685

(56) **References Cited**

**U.S. PATENT DOCUMENTS**

D294,258 S	*	2/1988	Sprague	.....	D14/258
5,106,039 A		4/1992	Gross	.....	248/27.1
D356,566 S	*	3/1995	Ohta	.....	D14/157
5,467,947 A		11/1995	Quilling, II	.....	248/27.1
5,485,348 A	*	1/1996	Oros	.....	361/685
D401,591 S		11/1998	Jones, Jr.	.....	D14/224
D418,838 S		1/2000	Jones, Jr.	.....	D14/224

**OTHER PUBLICATIONS**

Metra 2001 Autosound Installation Products Catalog, pp.  
Cover, 1-62, Published May 2001.

\* cited by examiner

*Primary Examiner*—Paula A. Mortimer  
(74) *Attorney, Agent, or Firm*—Fitzpatrick, Cella, Harper &  
Scinto

(57) **CLAIM**

We claim the ornamental design for a flared-side dual  
compartment auto stereo mounting device, as shown and  
described.

**DESCRIPTION**

FIG. 1 is a right front perspective view of a flared-side dual  
compartment auto stereo mounting device showing a preferred  
embodiment of our design, with environmental structure  
for an interface with a vehicle dashboard mounting  
structure shown in dotted line, and not forming part of the  
claimed design;

FIG. 2 is a front elevation view of FIG. 1;

FIG. 3 is a top plan view of FIG. 1;

FIG. 4A is a right side elevation view of FIG. 1, the left side  
being a mirror image thereof;

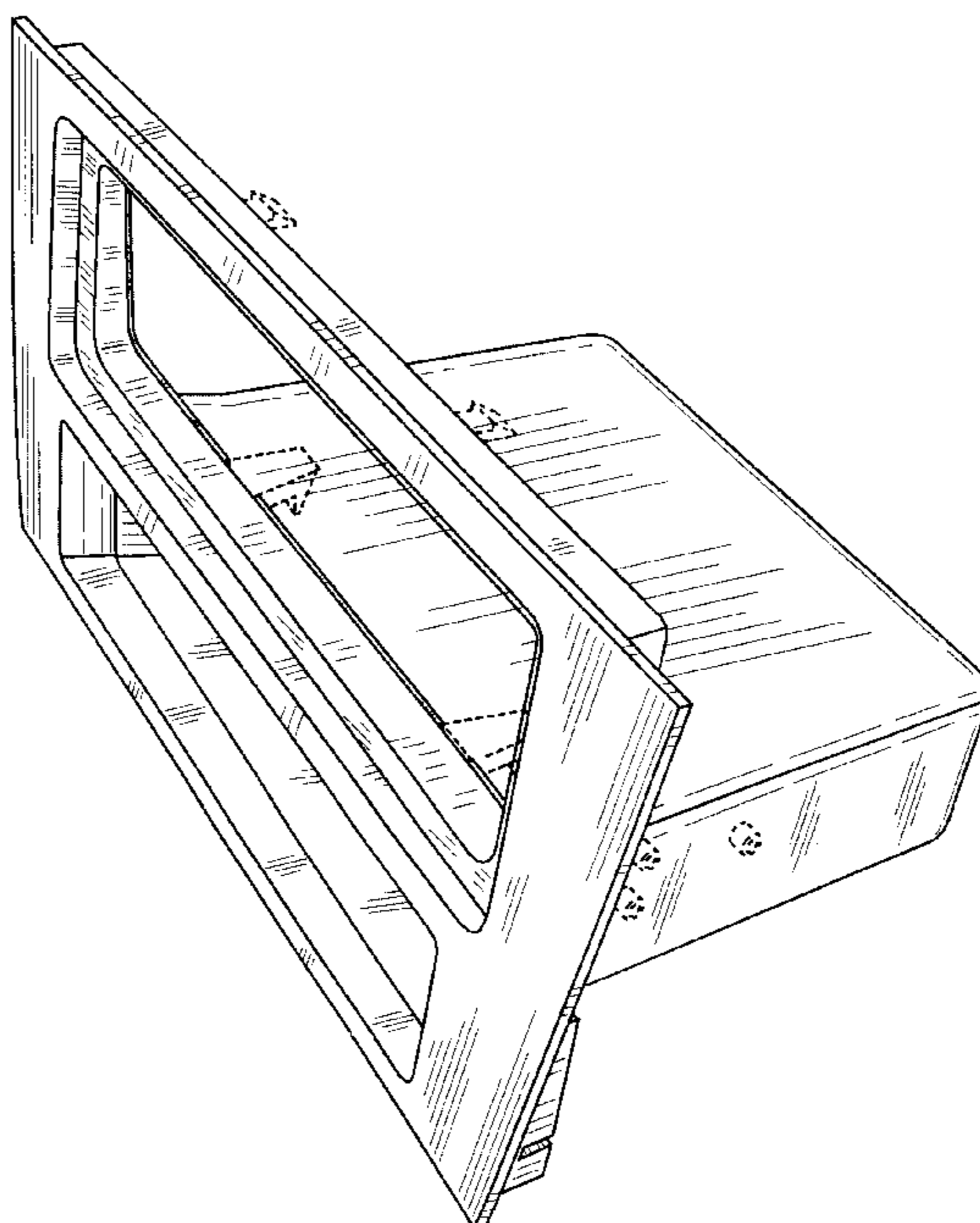
FIG. 4B is a right side elevation in cross-section, along line  
4B—4B of FIG. 3, to better illustrate certain features of the  
disclosed design;

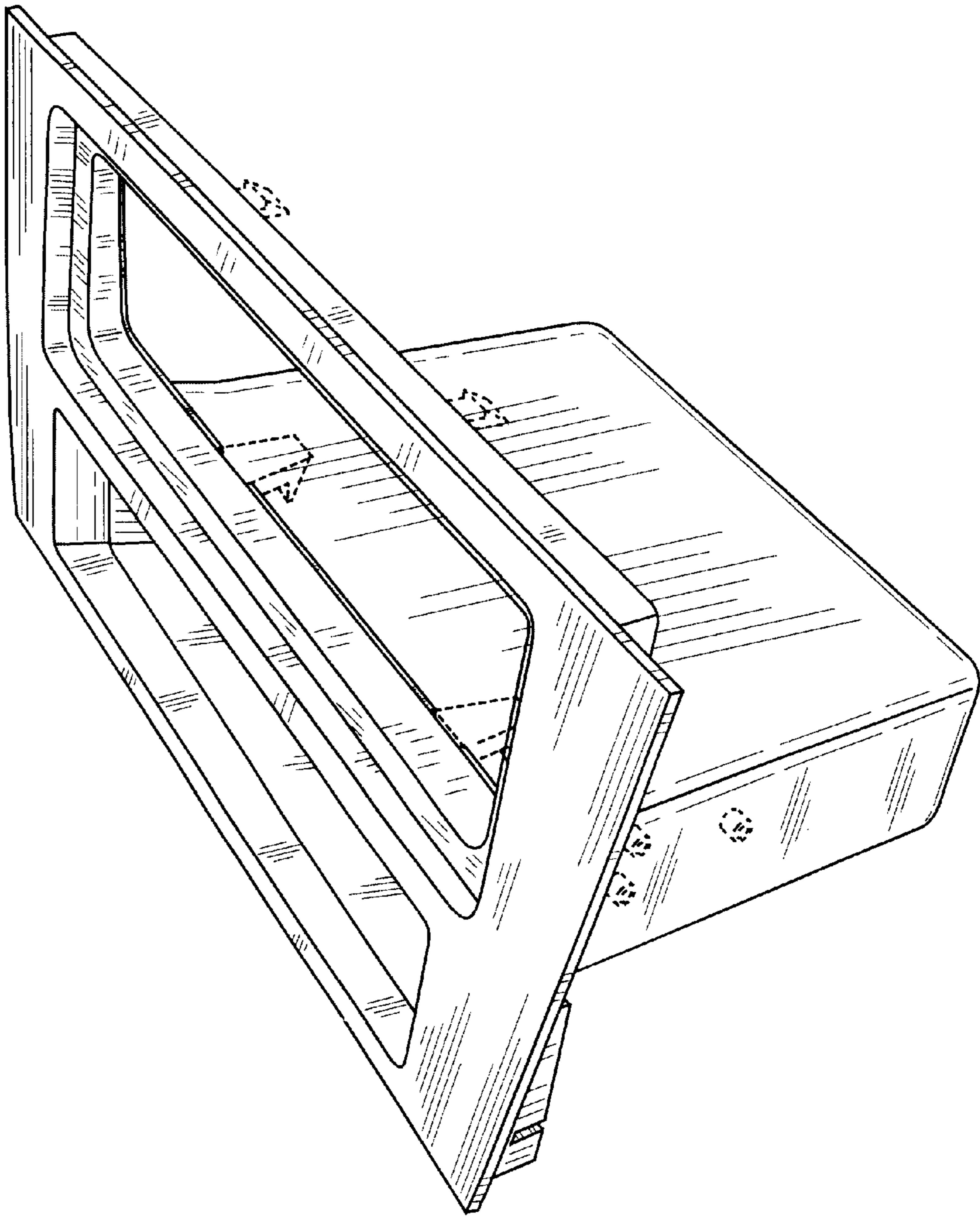
FIG. 5 is a bottom plan view of FIG. 1; and,

FIG. 6 is a rear elevation view of FIG. 1.

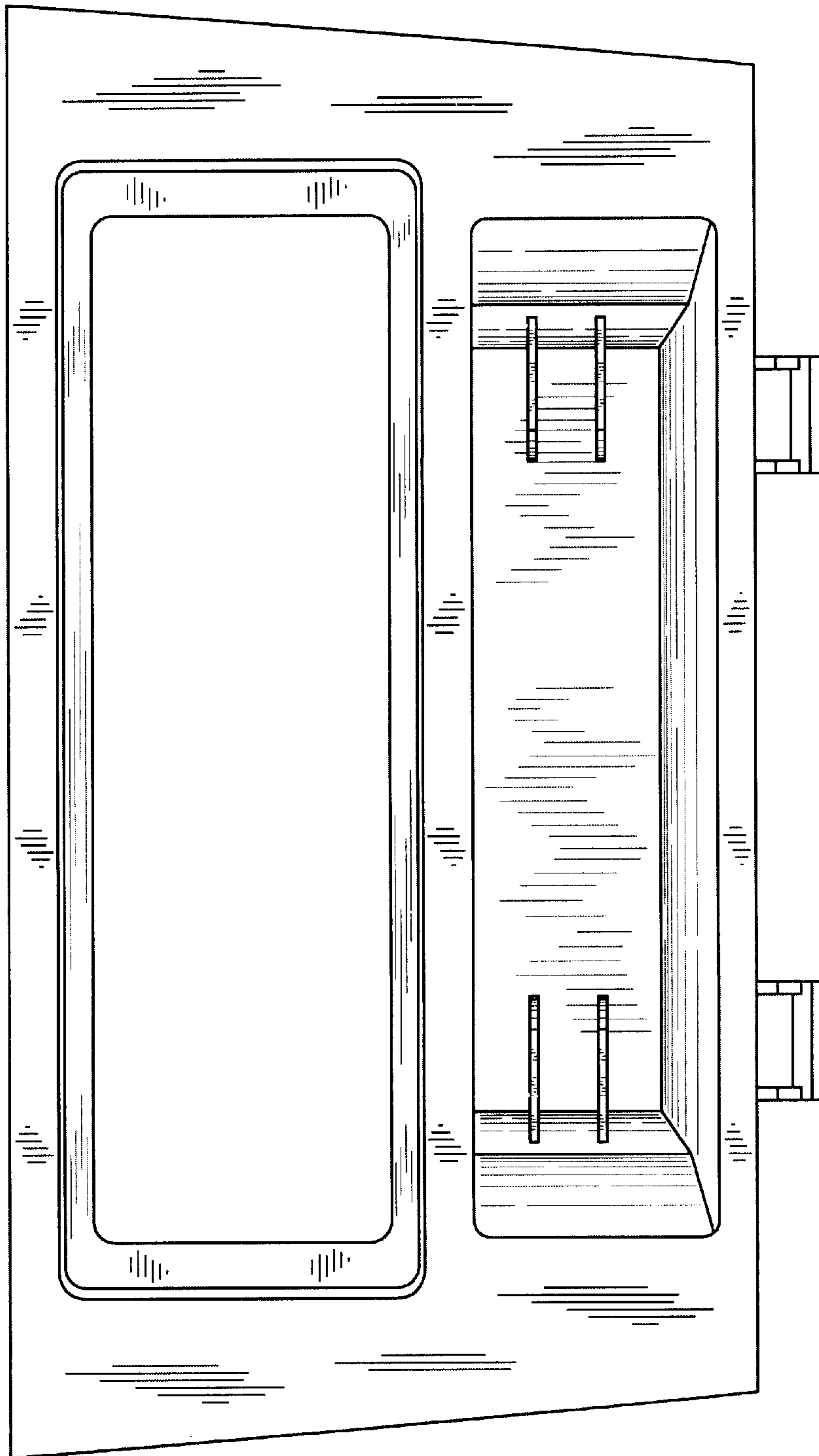
The appearance of our design for a **FLARED-SIDE DUAL  
COMPARTMENT AUTO STEREO MOUNTING  
DEVICE**, characterized by a compound curved front surface  
that is intersected by a planar opening and flange for  
accepting a standard autosound head unit, such as a DIN  
radio with a CD-Rom changer or the like, and a narrow  
horizontal pocket adapted to accept the insertion of a CD-  
Rom jewel case from the front.

**1 Claim, 7 Drawing Sheets**

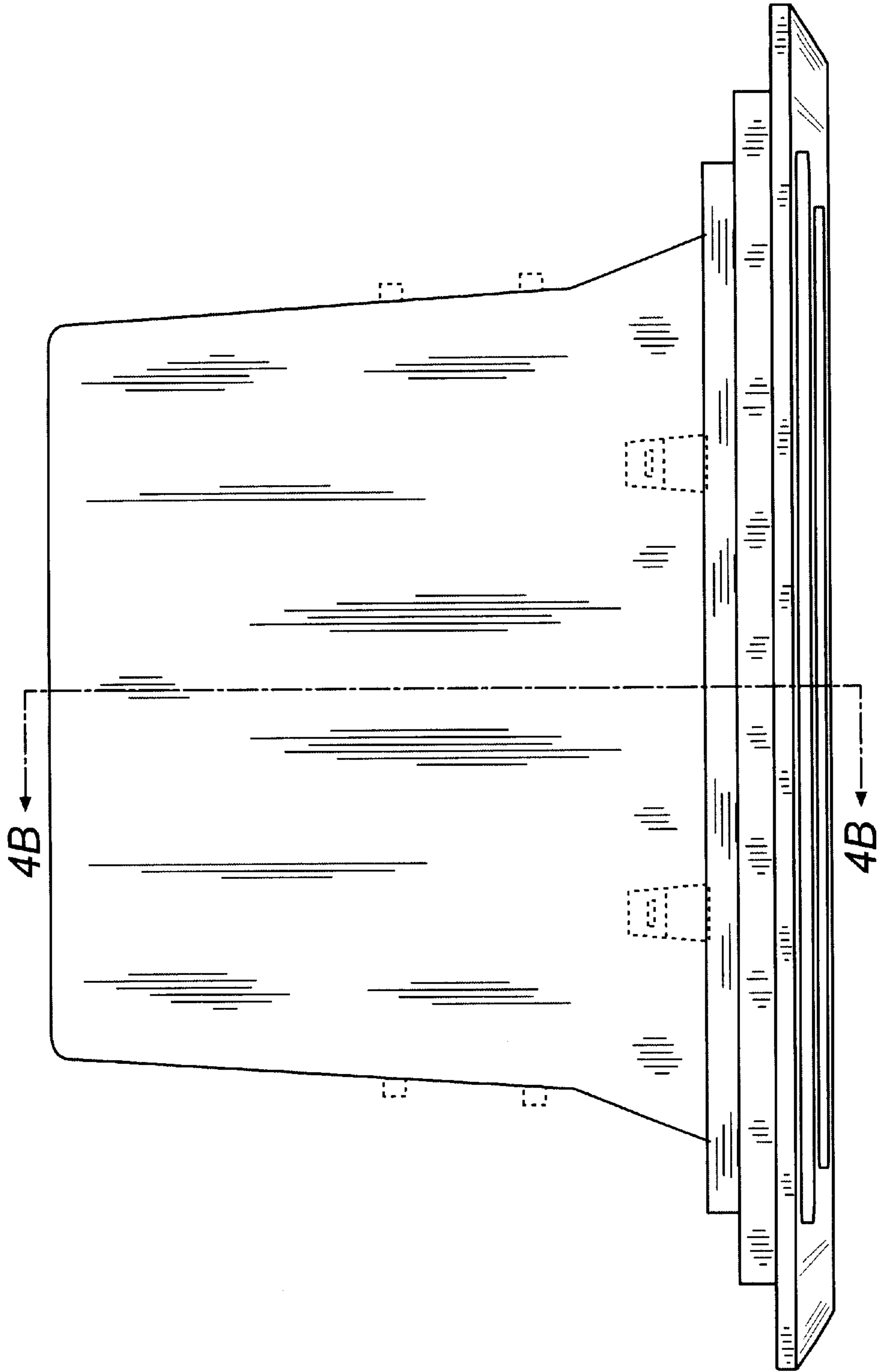




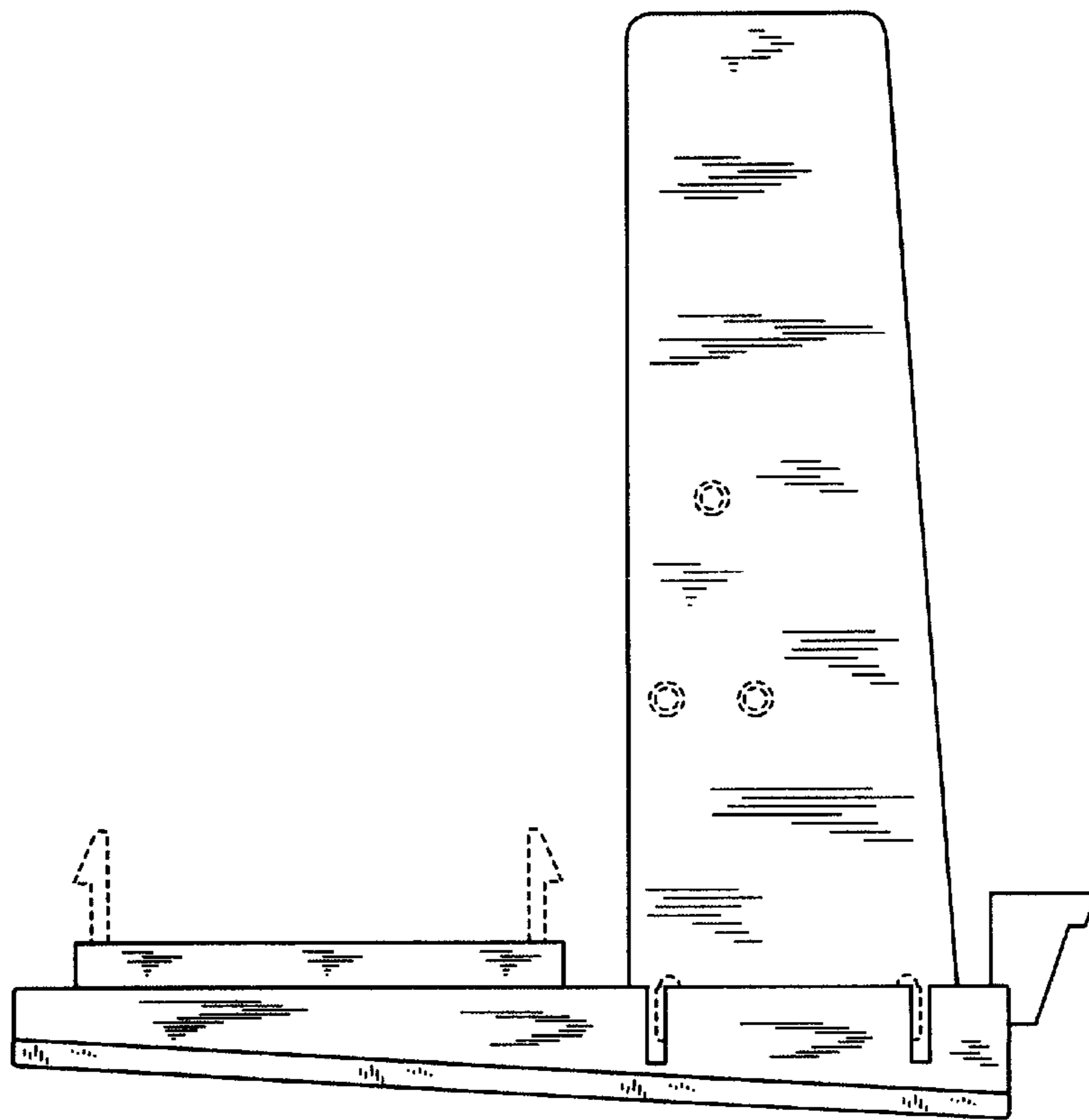
**FIG. 1**



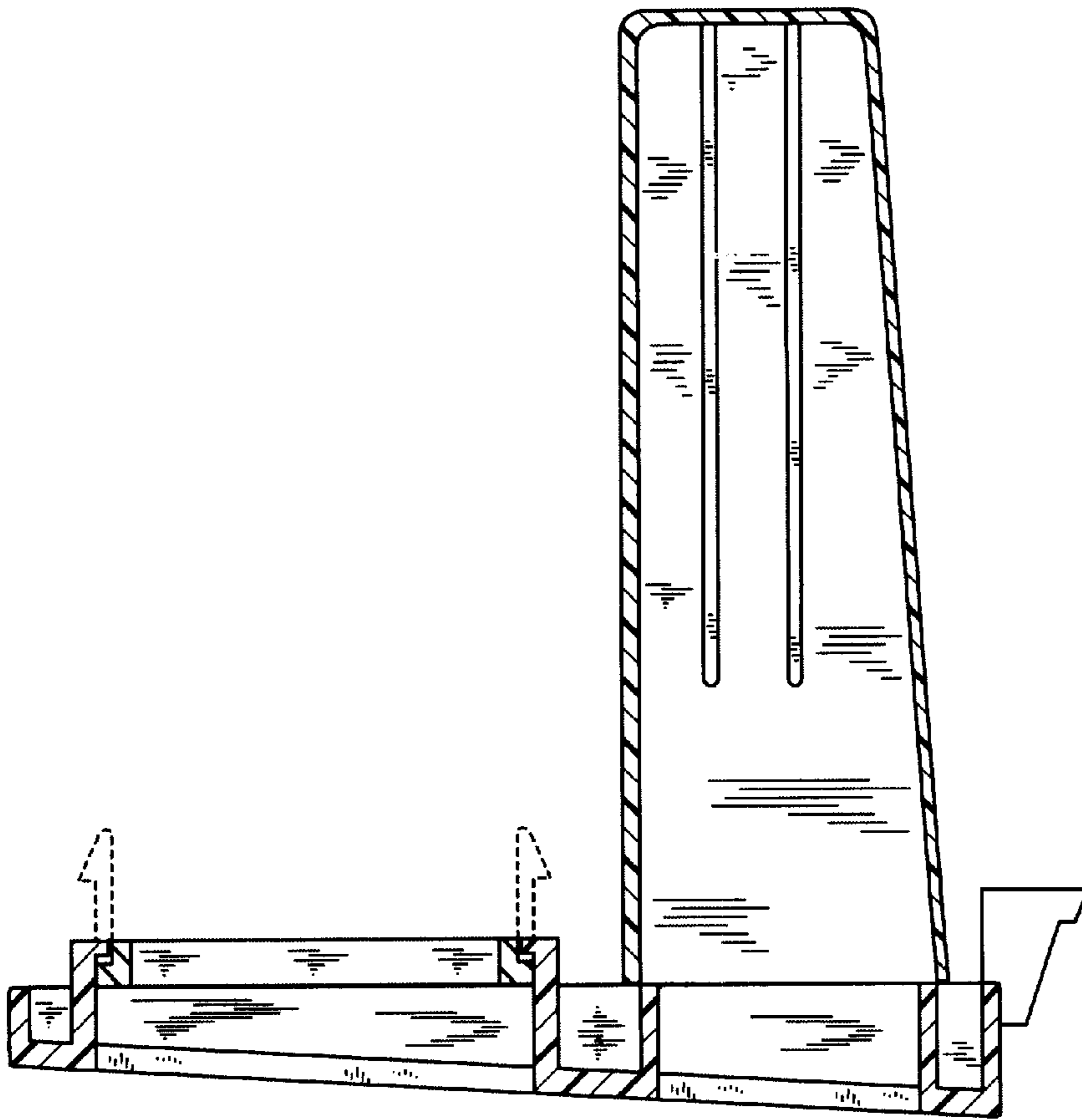
**FIG. 2**



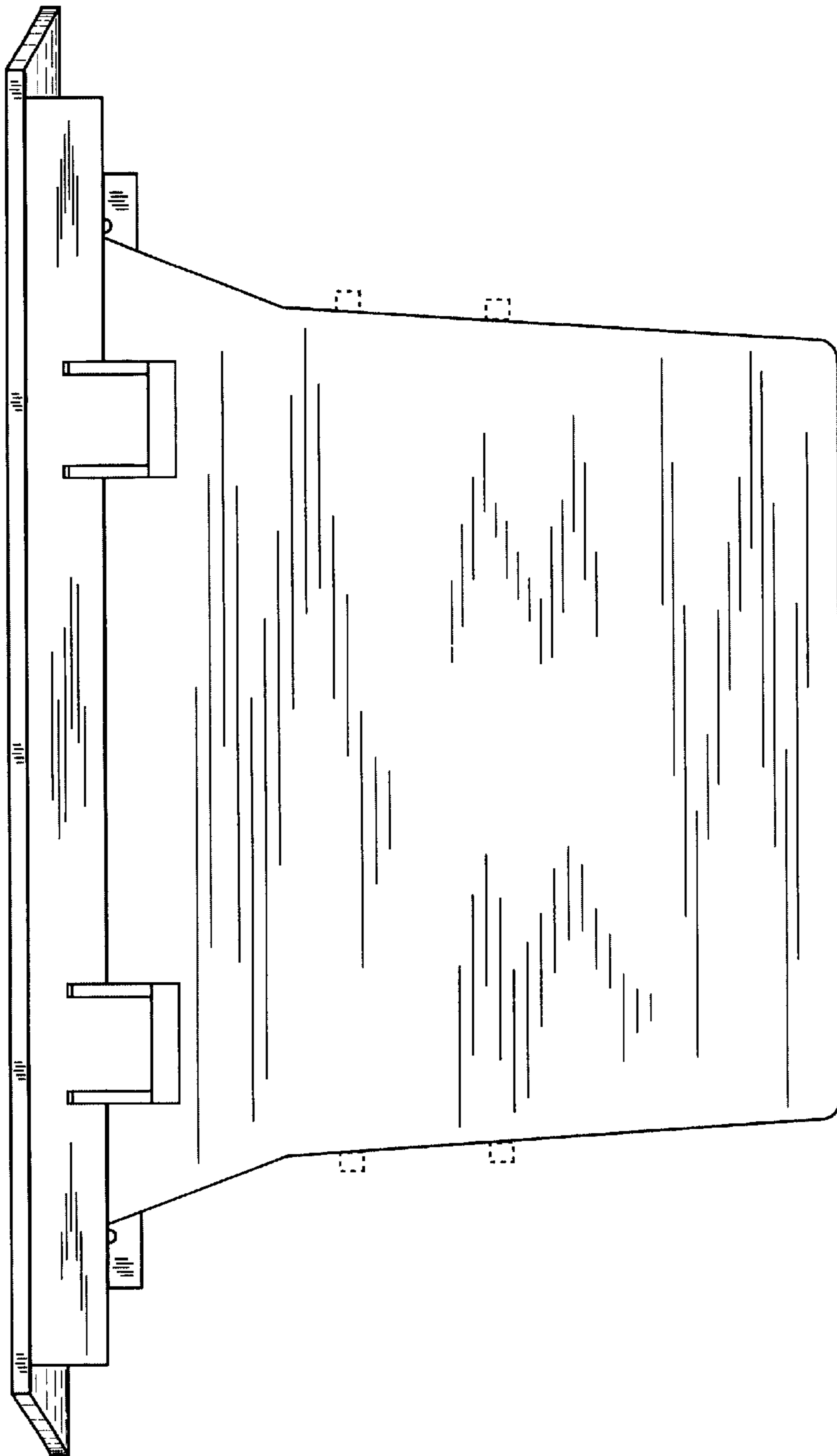
**FIG. 3**



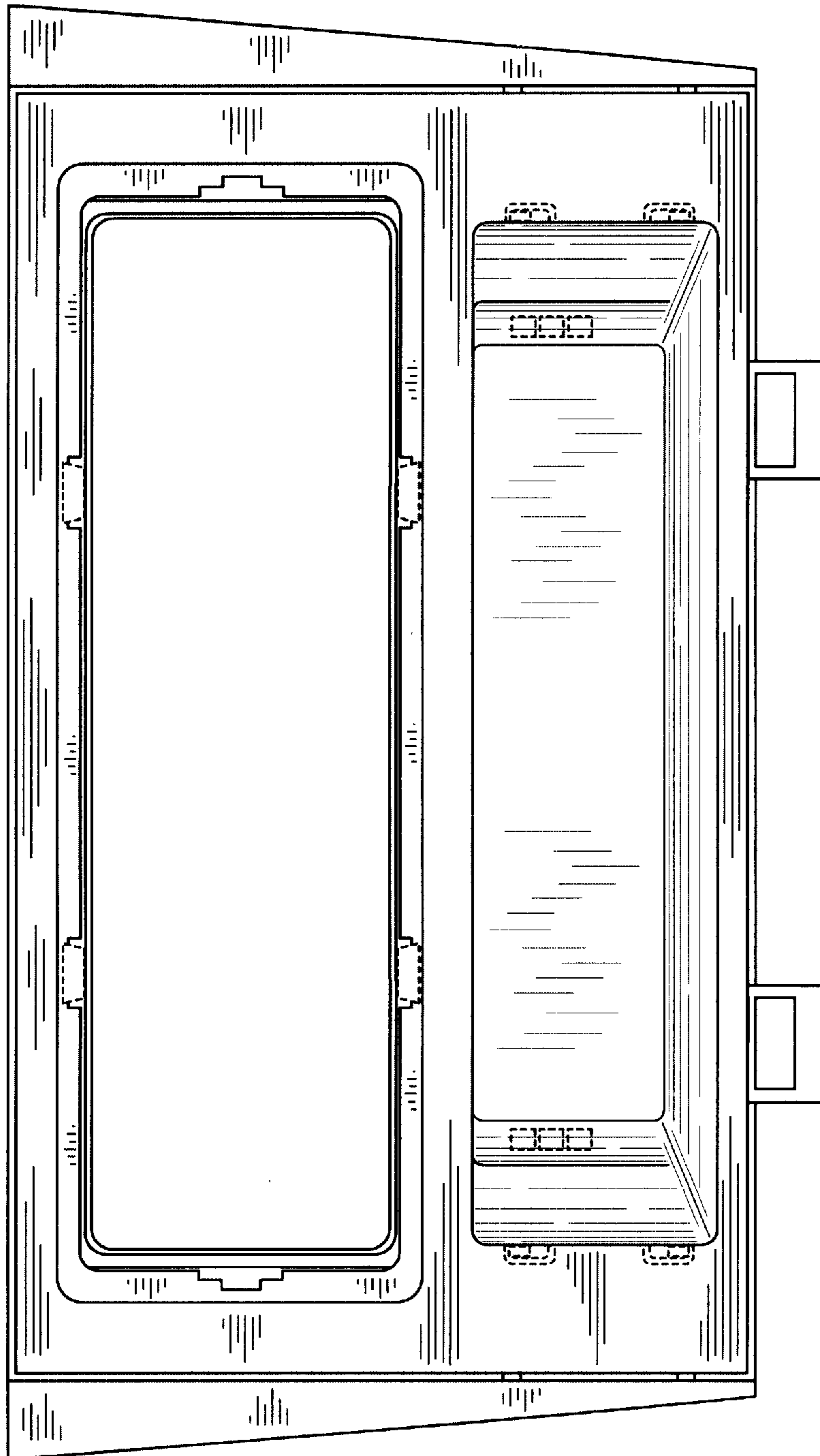
**FIG. 4A**



**FIG. 4B**



**FIG. 5**



**FIG. 6**