



US00D485252S

(12) **United States Design Patent**
Takita et al.

(10) **Patent No.:** **US D485,252 S**

(45) **Date of Patent:** **** Jan. 13, 2004**

(54) **DIGITAL AUDIO DISC PLAYER**

D429,230 S * 8/2000 Shiono D14/156
D467,563 S * 12/2002 Matsuoka D14/136

(75) Inventors: **Haruki Takita**, Tokyo (JP); **Yasunobu Shimizu**, Tokyo (JP)

* cited by examiner

(73) Assignee: **TEAC Corporation**, Tokyo (JP)

Primary Examiner—Nanda Bondade
(74) *Attorney, Agent, or Firm*—Kanesaka & Takeuchi

(**) Term: **14 Years**

(57) **CLAIM**

(21) Appl. No.: **29/174,196**

The ornamental design for a digital audio disc player, as shown and described.

(22) Filed: **Jan. 14, 2003**

(30) **Foreign Application Priority Data**

DESCRIPTION

Jul. 23, 2002 (JP) 2002-019697

(51) **LOC (7) Cl.** **14-01**

(52) **U.S. Cl.** **D14/156**

(58) **Field of Search** D14/135-136,
D14/156-157, 167-168, 188, 193-198,
257-258; 369/75.1, 75.2, 77.1, 77.2; 455/344,
347, 350-351

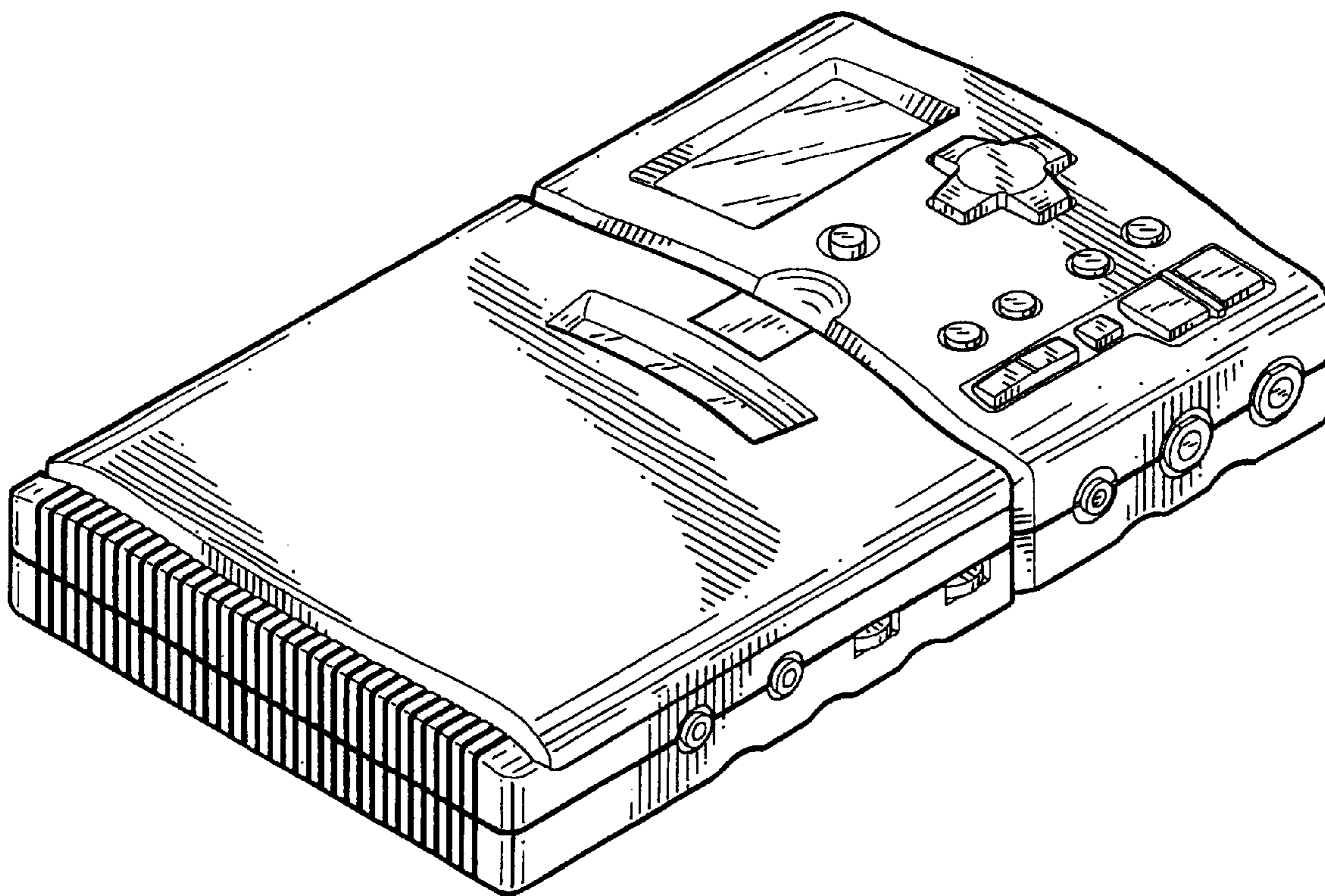
FIG. 1 is a front view of a digital audio disc player showing our new design;
FIG. 2 is a top view thereof;
FIG. 3 is a bottom view thereof;
FIG. 4 is a left side view thereof;
FIG. 5 is a right side view thereof;
FIG. 6 is a rear view thereof; and,
FIG. 7 is a perspective view thereof.

(56) **References Cited**

U.S. PATENT DOCUMENTS

D425,890 S * 5/2000 Kataoka D14/163

1 Claim, 3 Drawing Sheets



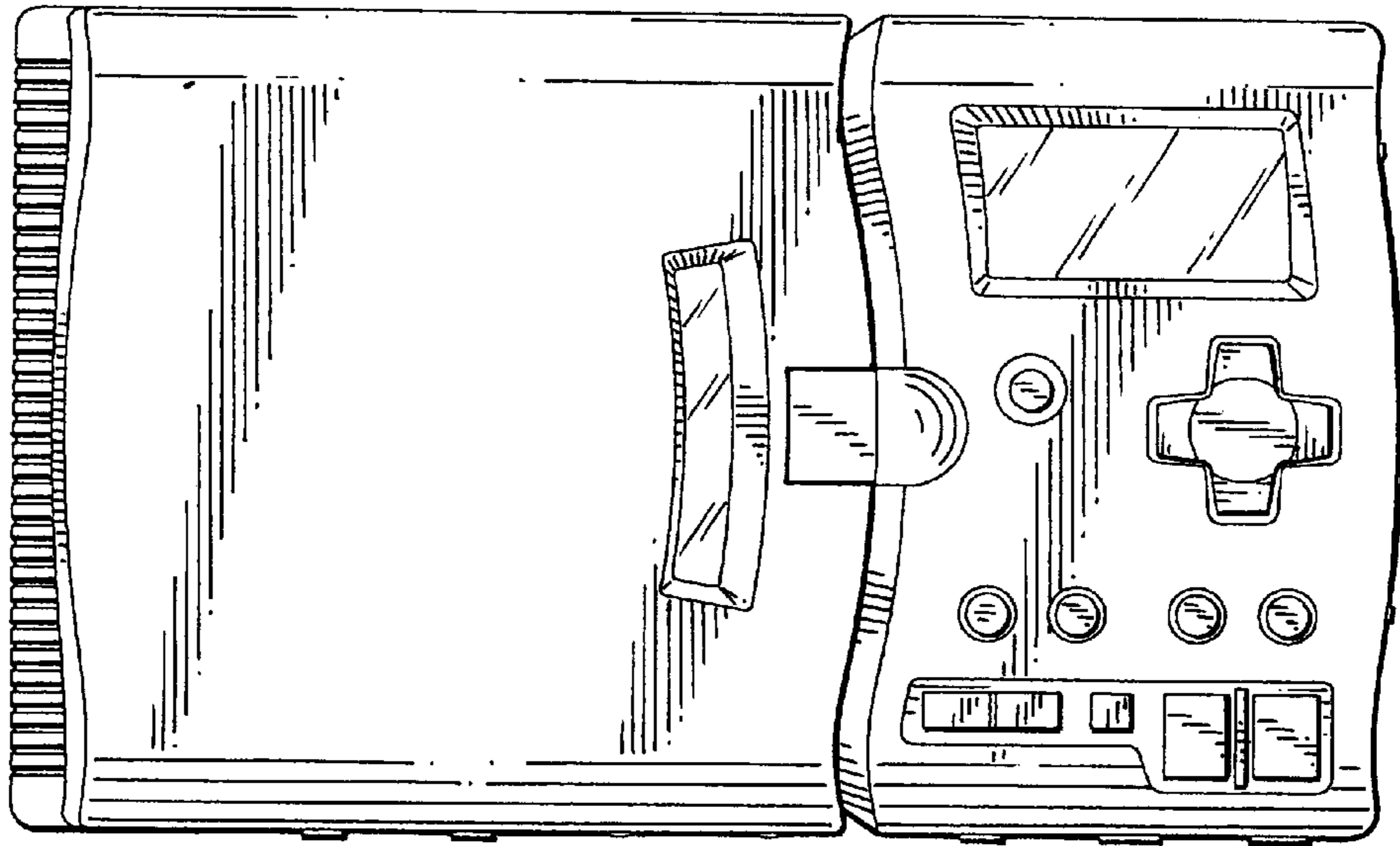


FIG. 1

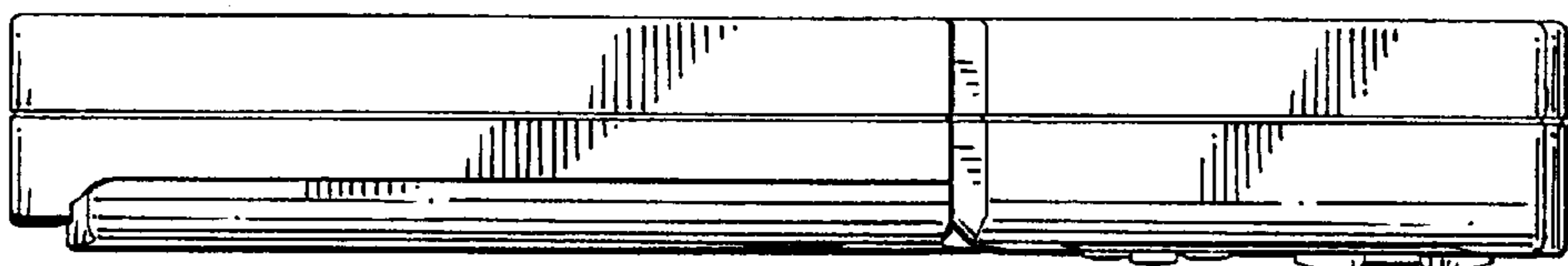


FIG. 2

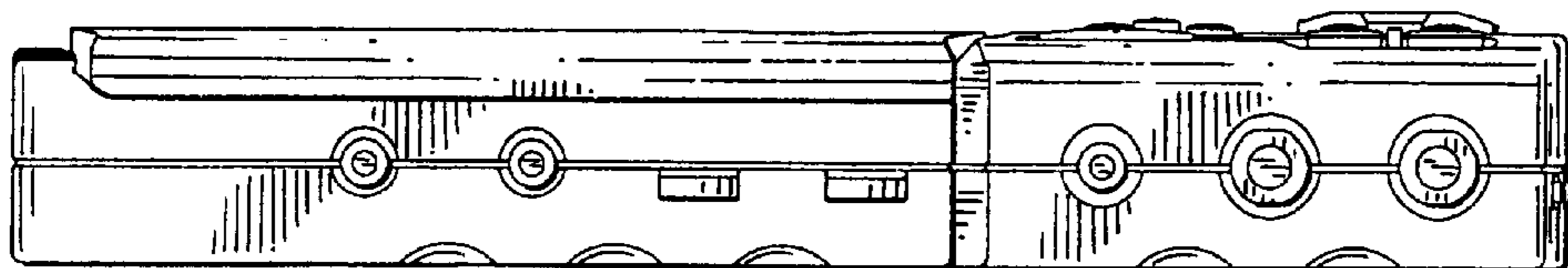


FIG. 3

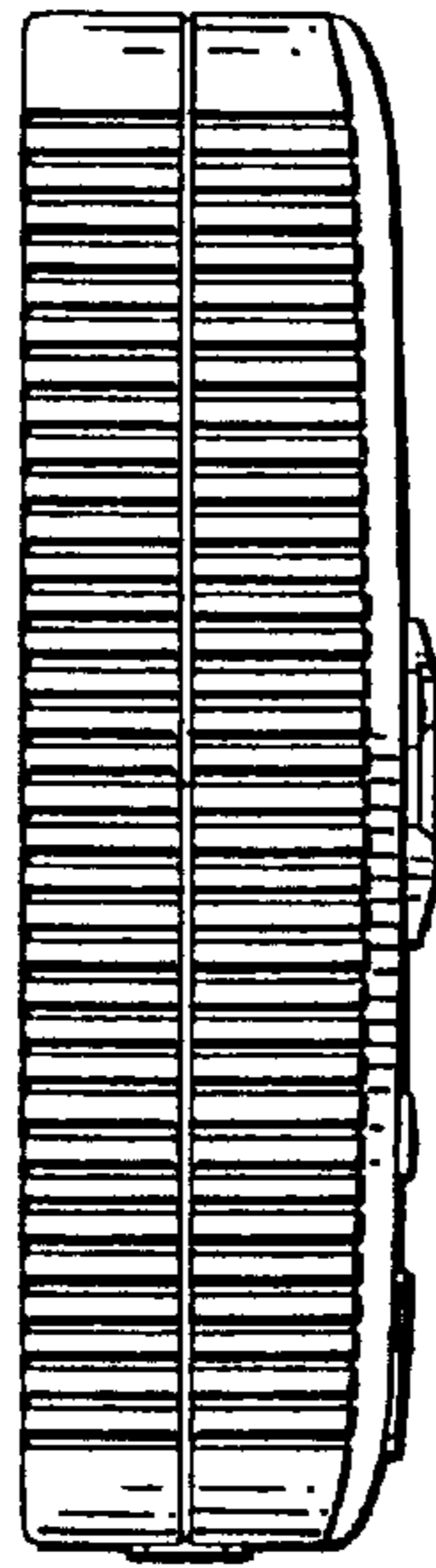


FIG. 4

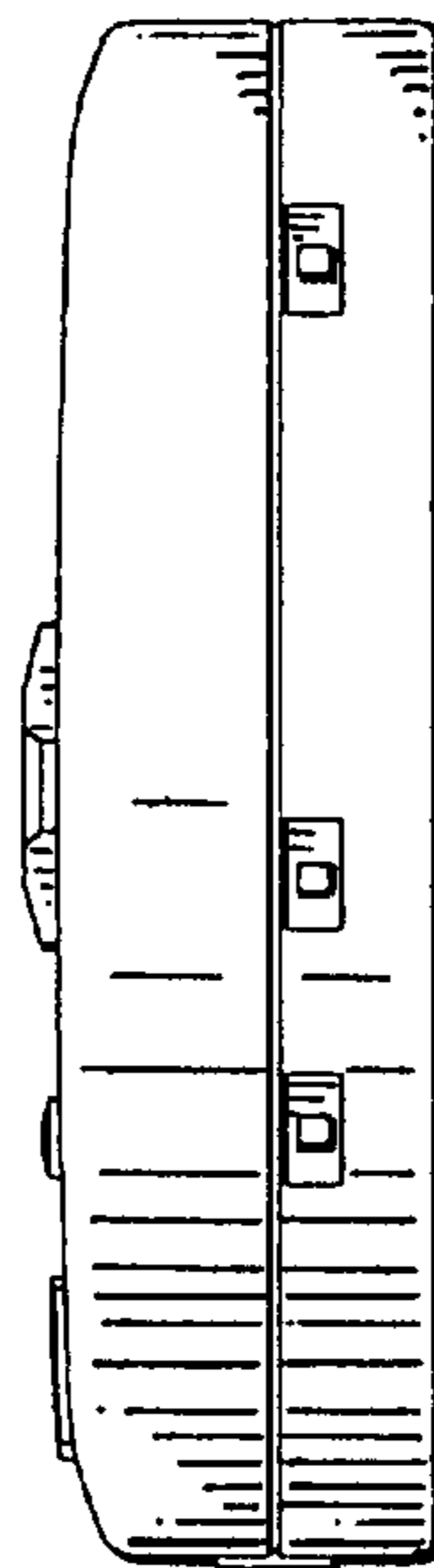


FIG. 5

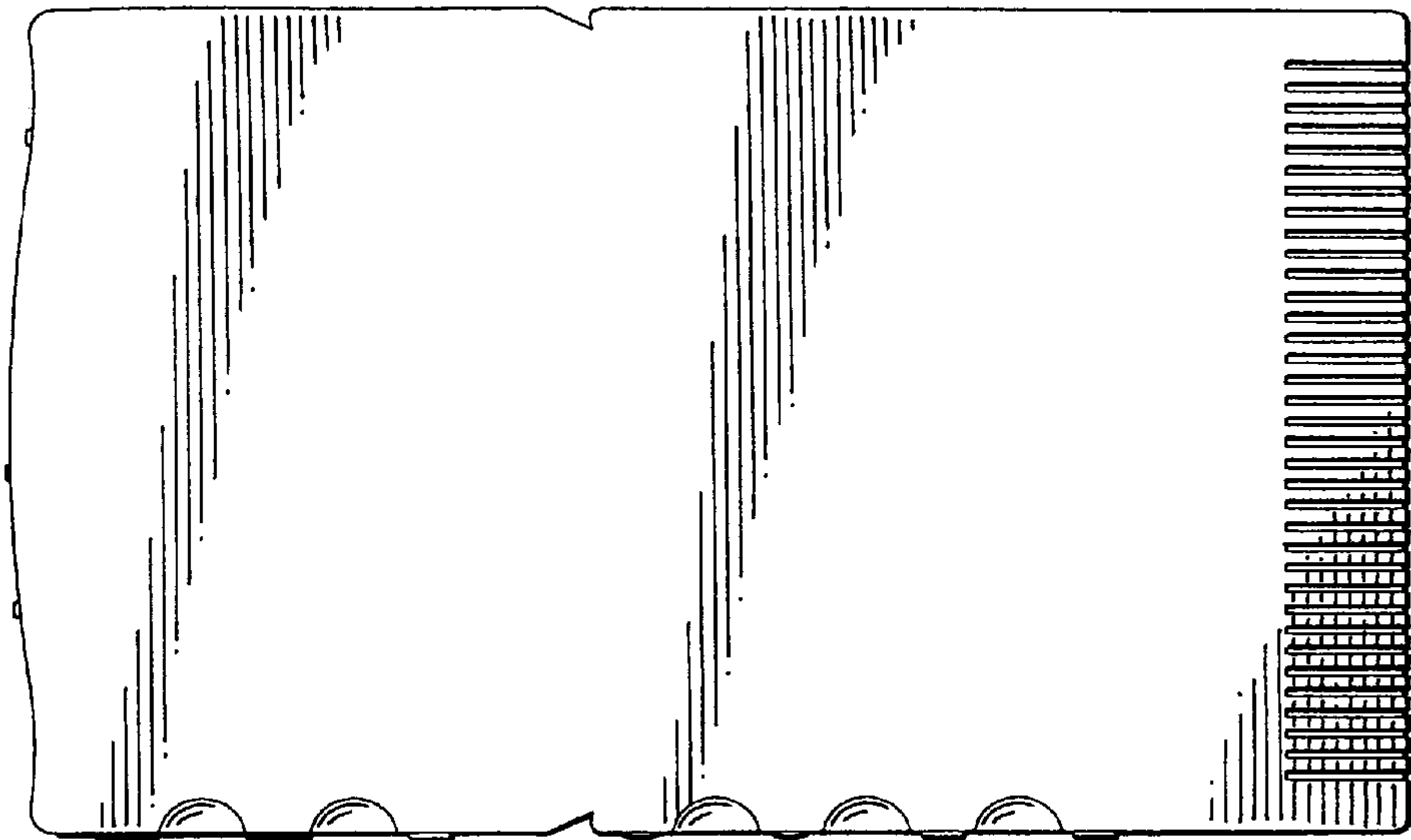


FIG. 6

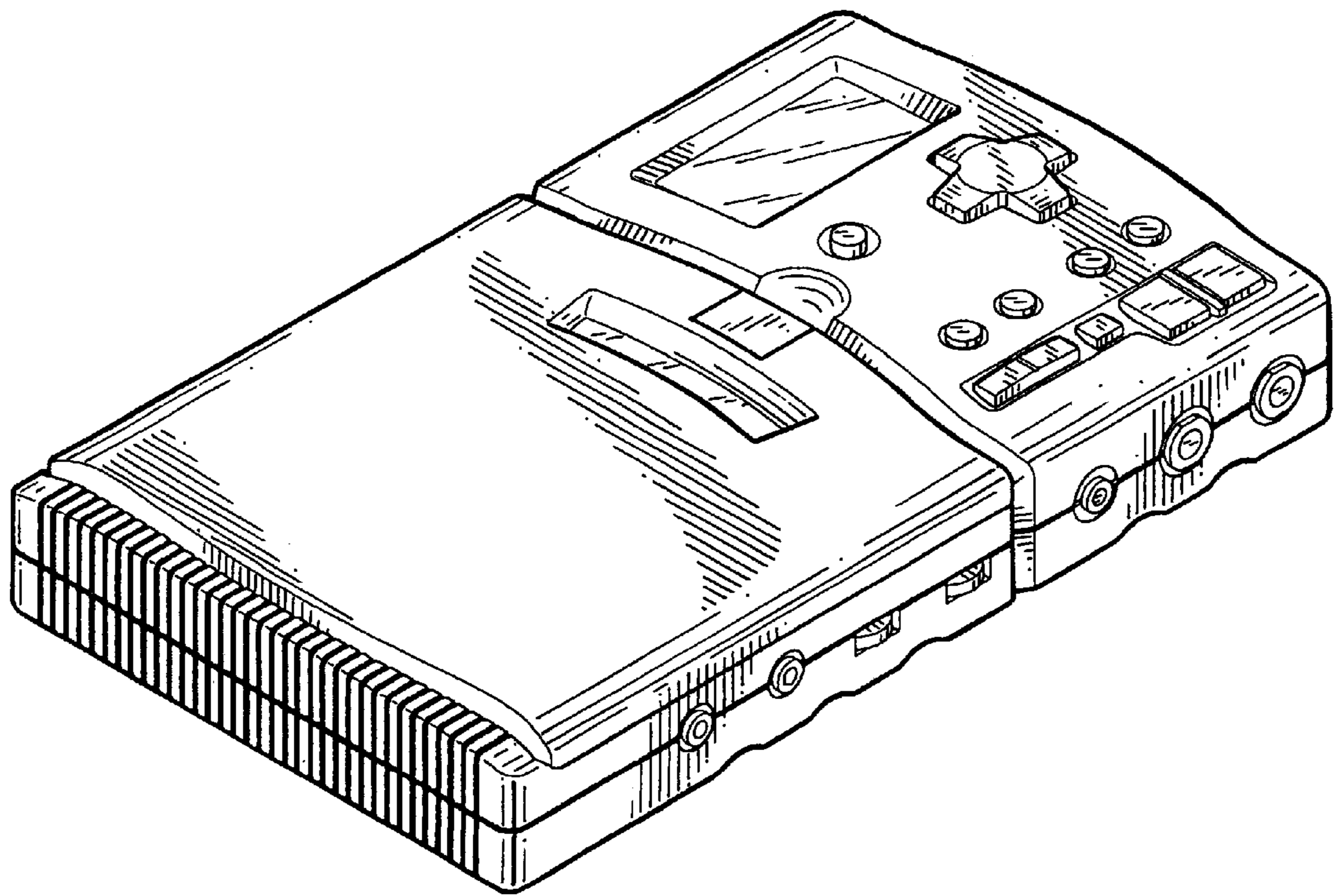


FIG. 7