



US00D485251S

(12) **United States Design Patent**
Lee

(10) **Patent No.:** **US D485,251 S**

(45) **Date of Patent:** **** Jan. 13, 2004**

(54) **COMPACT DISK PLAYER**

(75) Inventor: **Johan Lee**, Sunnyside, NY (US)

(73) Assignee: **Coby Electronics Corporation**,
Maspeth, NY (US)

(**) Term: **14 Years**

(21) Appl. No.: **29/171,307**

(22) Filed: **Nov. 20, 2002**

(51) **LOC (7) Cl.** **14-01**

(52) **U.S. Cl.** **D14/156**

(58) **Field of Search** D14/135-136,
D14/156-157, 167-168, 188, 193-198,
257-258; 369/75.1, 75.2, 77.1, 77.2; 455/344,
347, 350-351

(56) **References Cited**

U.S. PATENT DOCUMENTS

D421,989 S	*	3/2000	Cheung	D14/156
D435,840 S	*	1/2001	Ishibashi et al.	D14/168
D452,963 S	*	1/2002	Suzuki	D14/168
D465,470 S	*	11/2002	Ng	D14/171

* cited by examiner

Primary Examiner—N. Bondade

(74) *Attorney, Agent, or Firm*—Brown Raysman Millstein
Felder & Steiner LLP

(57) **CLAIM**

The ornamental design for a compact disk player, as shown
and described.

DESCRIPTION

FIG. 1 is a perspective view of a compact disc player
showing my new design;

FIG. 2 is a front view thereof;

FIG. 3 is a rear view thereof;

FIG. 4 is a side view thereof;

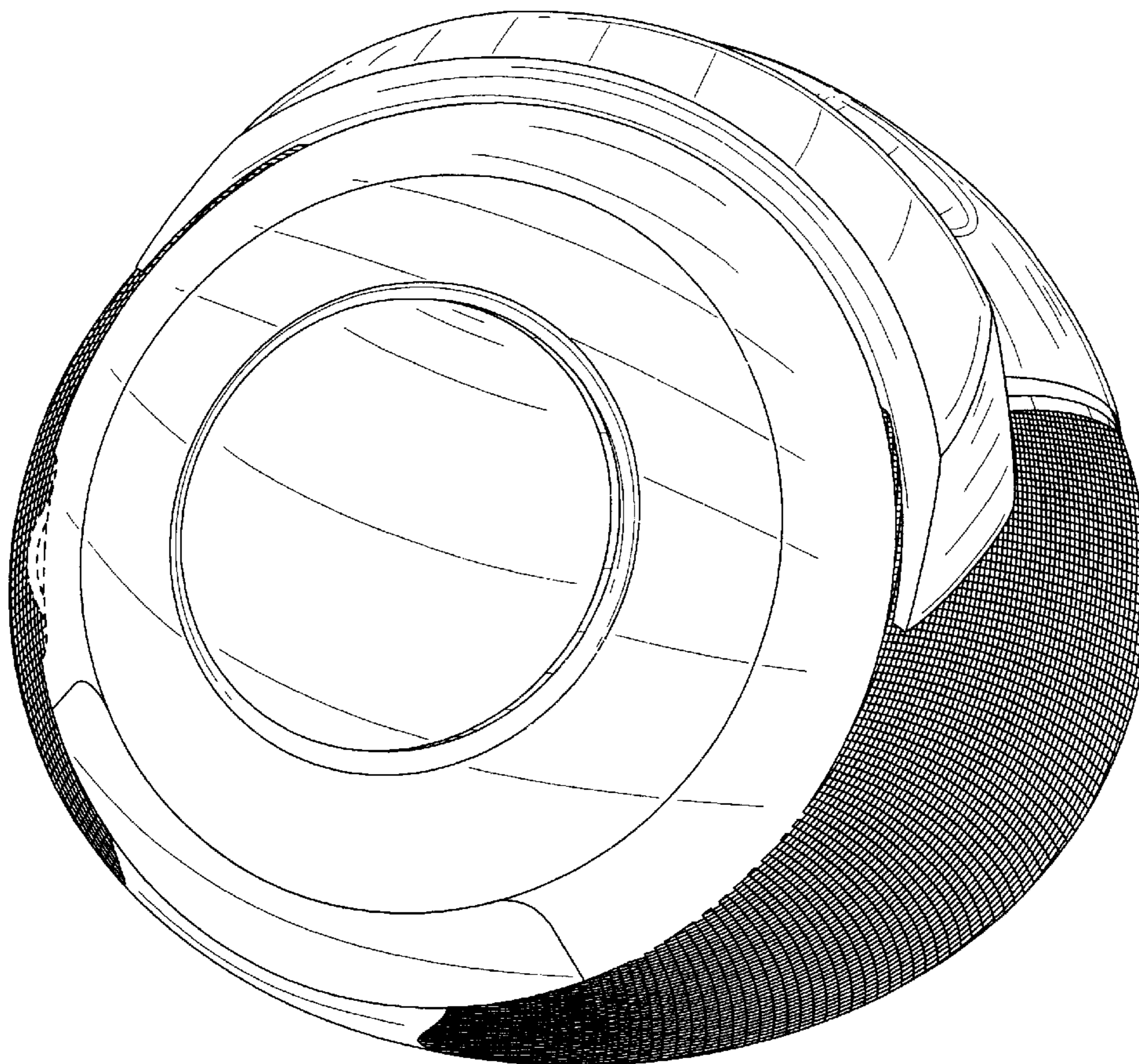
FIG. 5 is a side view of the other side thereof;

FIG. 6 is a top view thereof; and,

FIG. 7 is a bottom view thereof.

The broken line showing on FIGS. 1-2, 4 and 6 is for
illustrative purposes only and forms no part of the claimed
design.

1 Claim, 7 Drawing Sheets



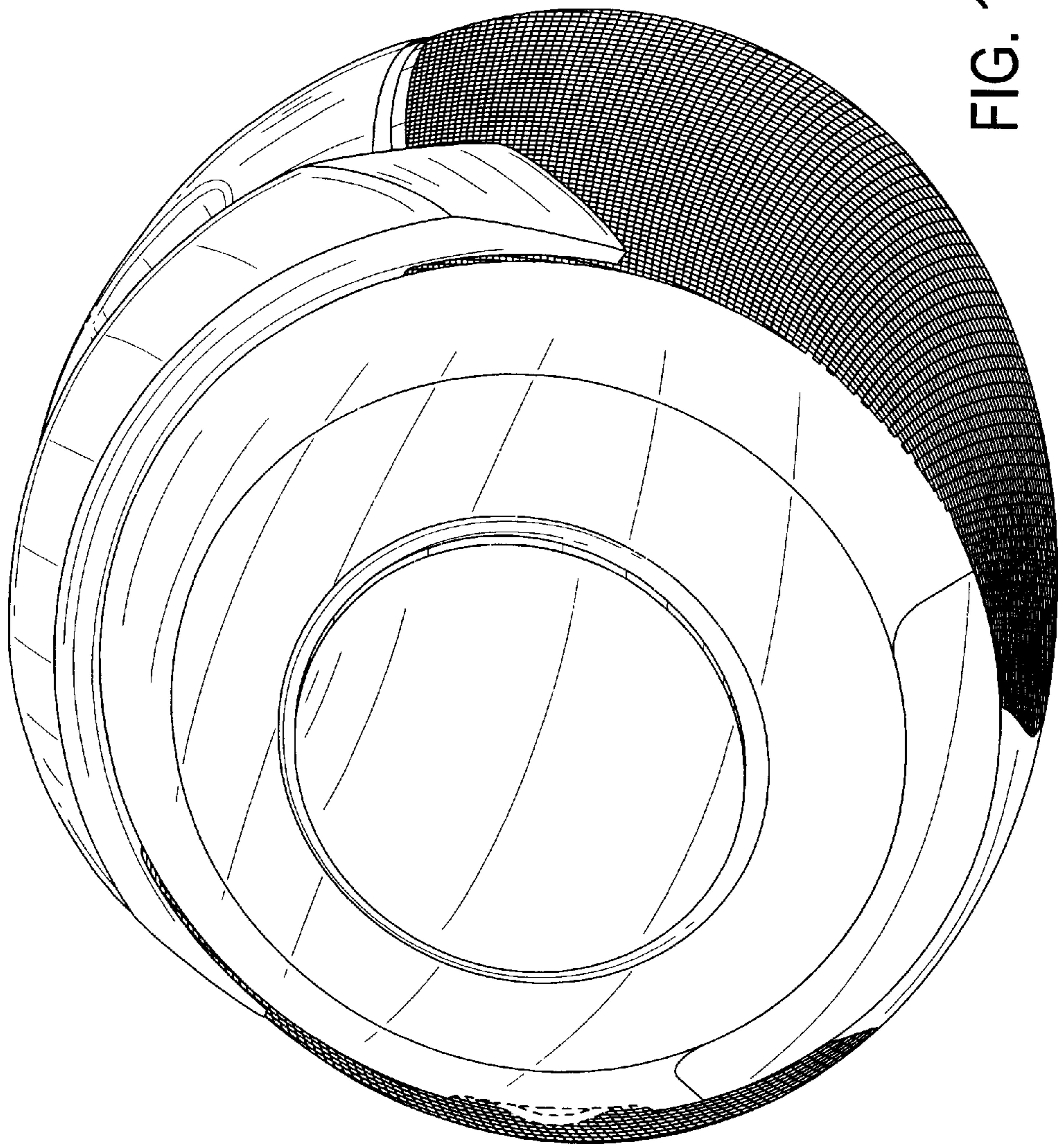


FIG. 1

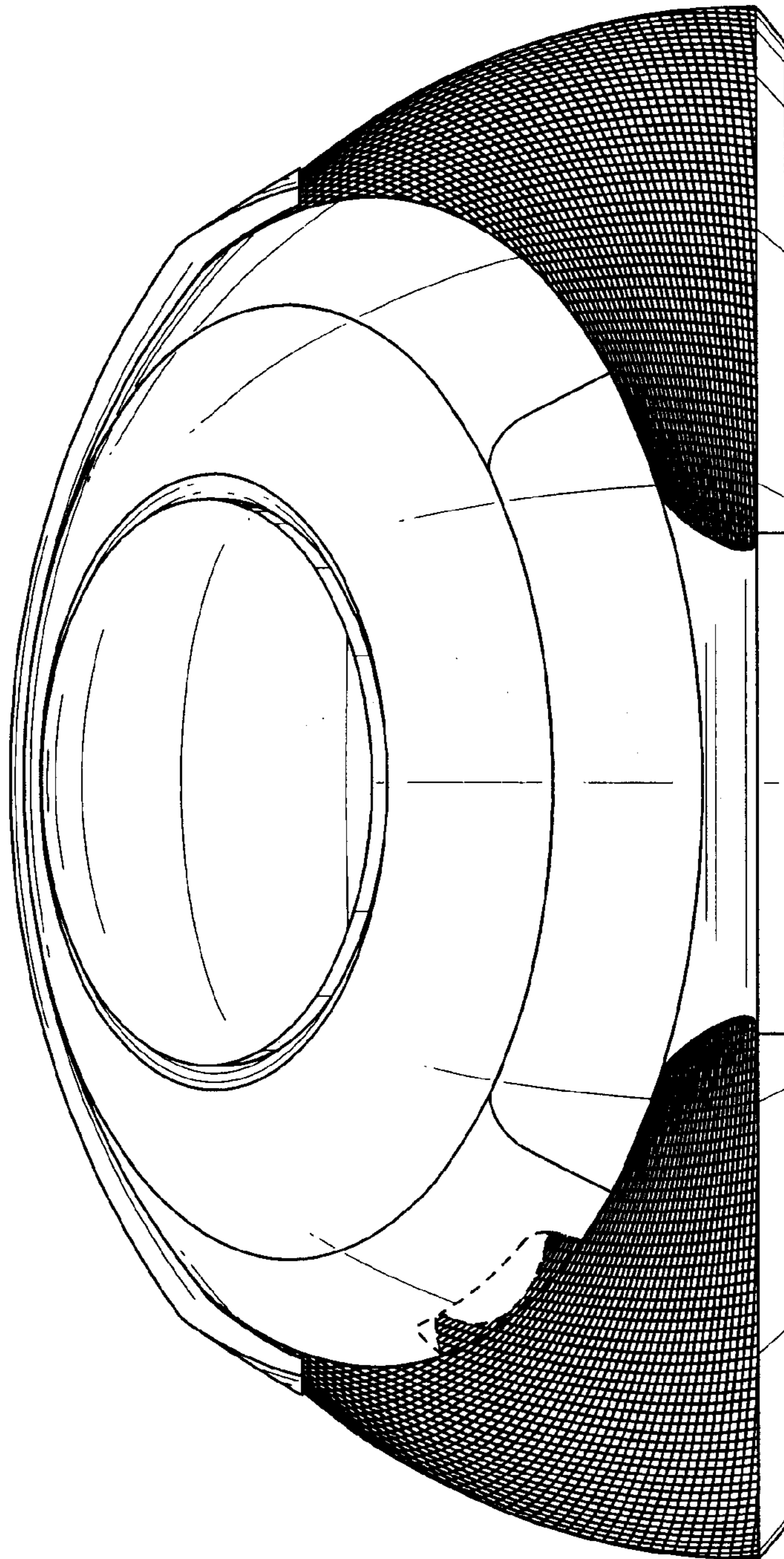


FIG. 2

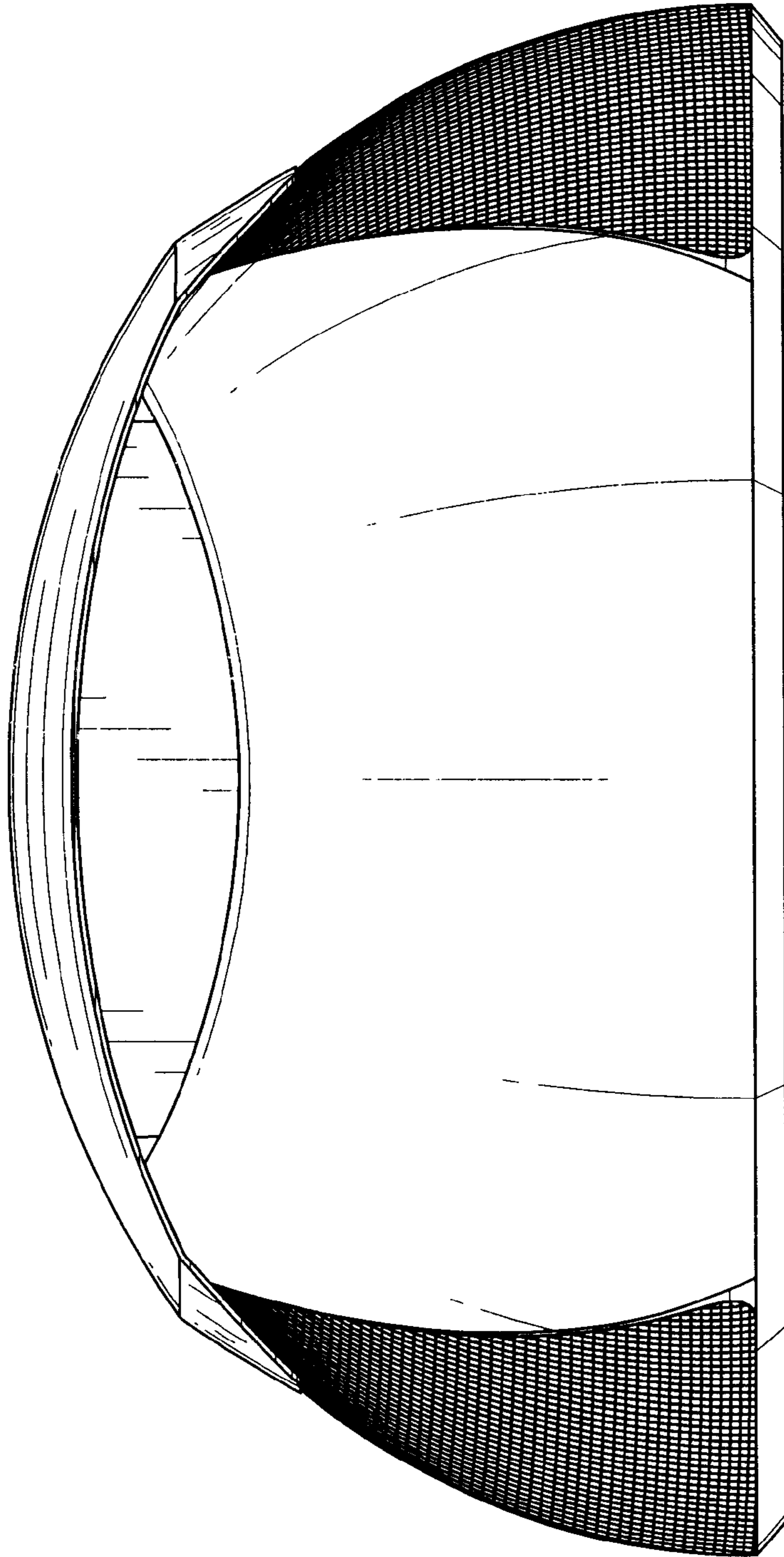


FIG. 3

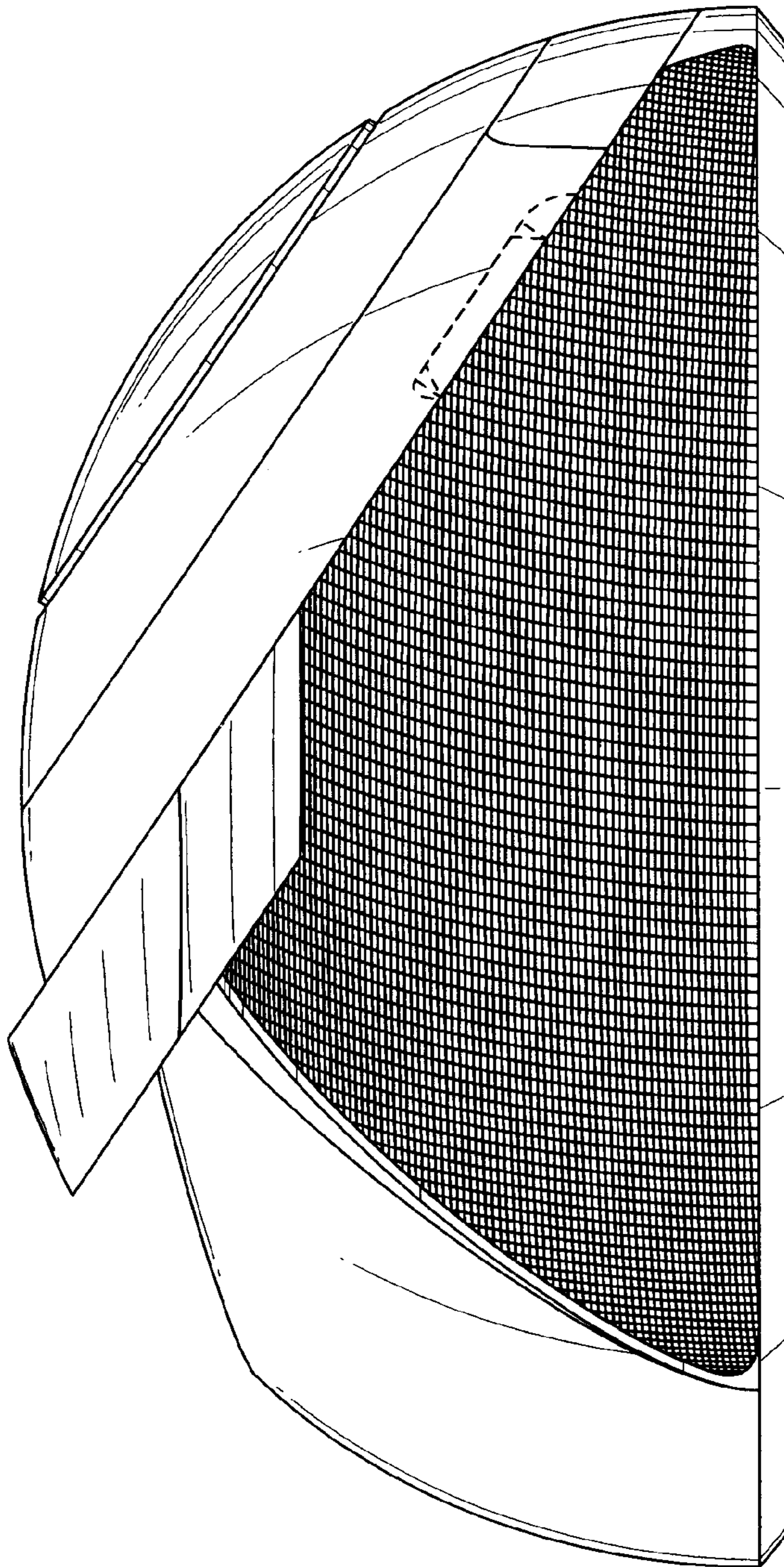


FIG. 4

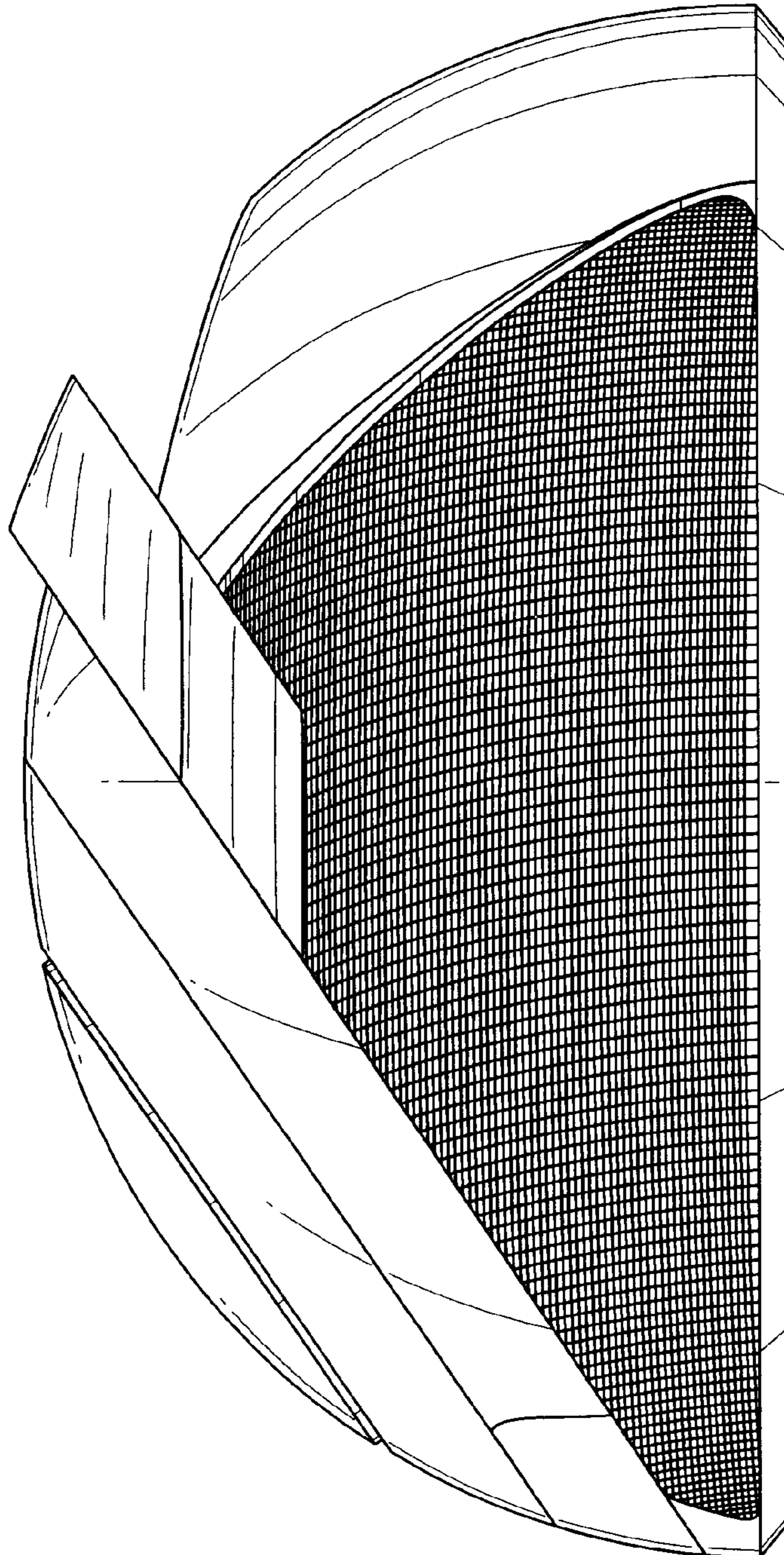


FIG. 5

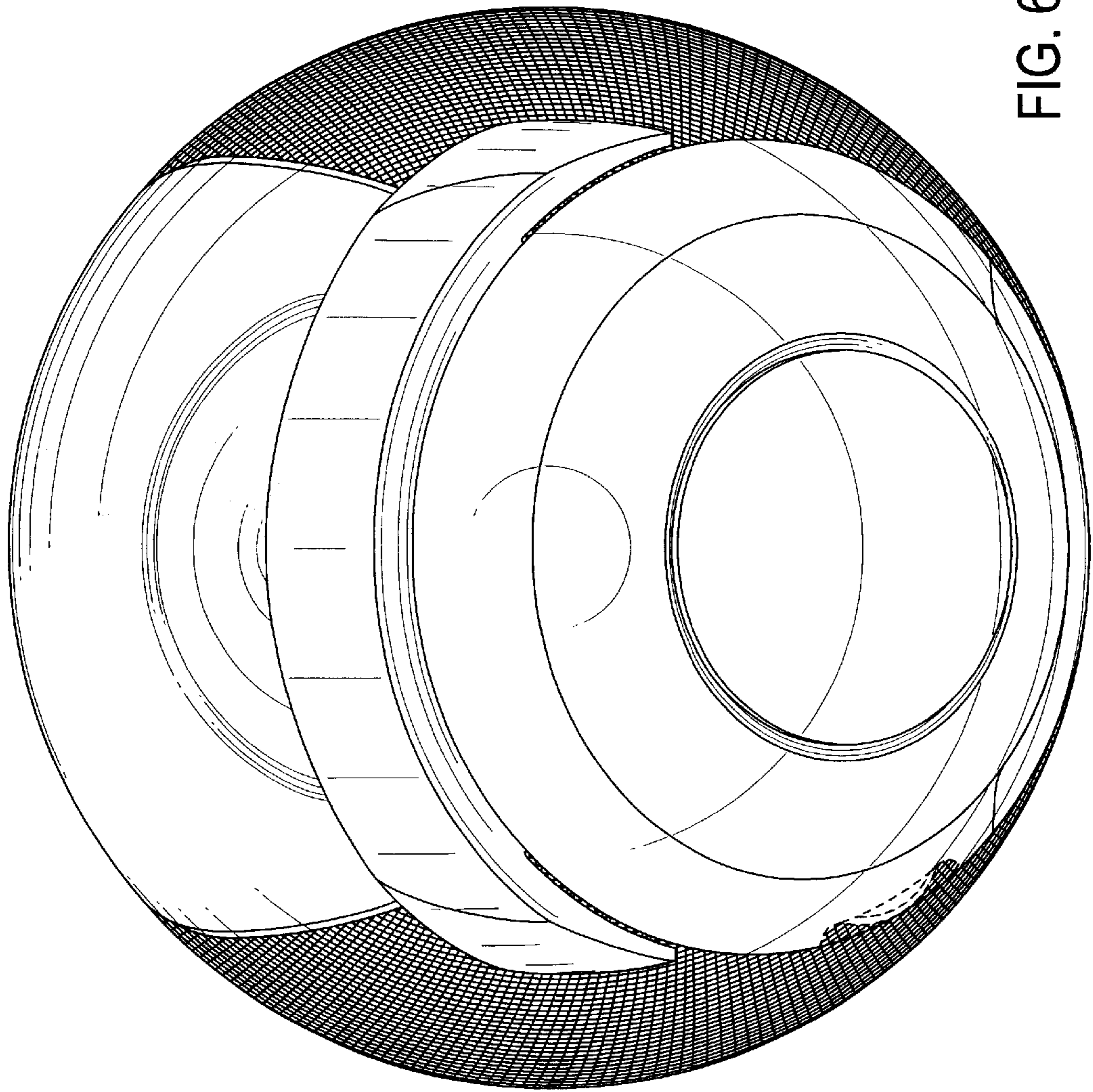


FIG. 6

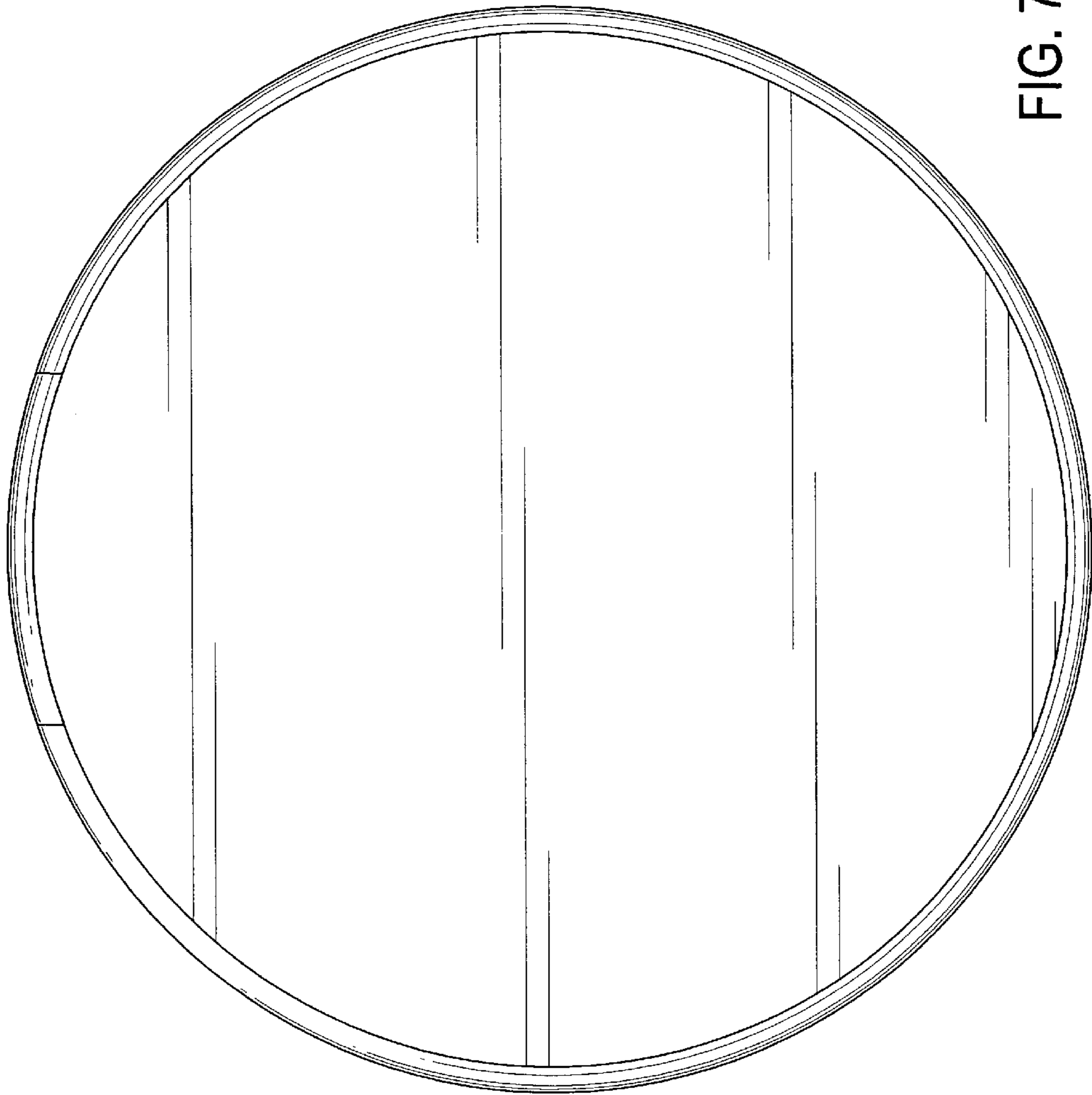


FIG. 7