



US00D485245S

(12) **United States Design Patent**
Shiraki et al.

(10) **Patent No.:** **US D485,245 S**

(45) **Date of Patent:** **** Jan. 13, 2004**

(54) **DIGITAL VIDEO DISK PLAYER**

(75) Inventors: **Masazumi Shiraki**, Yokohama (JP);
Hidemitsu Chikaraishi,
Ashigarashimo-gun (JP)

(73) Assignee: **Kabushiki Kaisha Toshiba** (JP)

(**) Term: **14 Years**

(21) Appl. No.: **29/178,031**

(22) Filed: **Mar. 21, 2003**

(30) **Foreign Application Priority Data**

Dec. 26, 2002 (JP) 2002-036222

(51) **LOC (7) Cl.** **14-01**

(52) **U.S. Cl.** **D14/136**

(58) **Field of Search** D14/135-136,
D14/156-157, 167-168, 188, 193-198,
257-258; 369/75.1, 75.2, 77.1, 77.2; 455/344,
347, 350-351

(56) **References Cited**

U.S. PATENT DOCUMENTS

D275,668 S * 9/1984 Erber et al. D14/136

D432,112 S * 10/2000 Hisatsune D14/156

D459,321 S 6/2002 Kojima et al.

D459,709 S * 7/2002 Kojima et al. D14/136

D462,941 S * 9/2002 Woo D14/136

D467,567 S * 12/2002 Tsuge D14/156

OTHER PUBLICATIONS

Victor JVC Catalog, Xv-PZ330, dated May 2002.

Nihon Samsung, SV-DVD5J, dated Jul. 25, 2001.

* cited by examiner

Primary Examiner—Nanda Bondade

(74) *Attorney, Agent, or Firm*—Banner & Witcoff, Ltd.

(57) **CLAIM**

The ornamental design for a digital video disk player, as shown and described.

DESCRIPTION

FIG. 1 is a top, front and right side perspective view of a digital video disk player showing our new design, FIG. 2 is a front elevational view thereof, FIG. 3 is a rear elevational view thereof, FIG. 4 is a right side elevational view thereof, FIG. 5 is a top plan view thereof, FIG. 6 is a left side elevational view thereof, FIG. 7 is a bottom plan view thereof; and, FIG. 8 is a top, front and right side perspective view showing the article with a tray being pulled out.

1 Claim, 4 Drawing Sheets

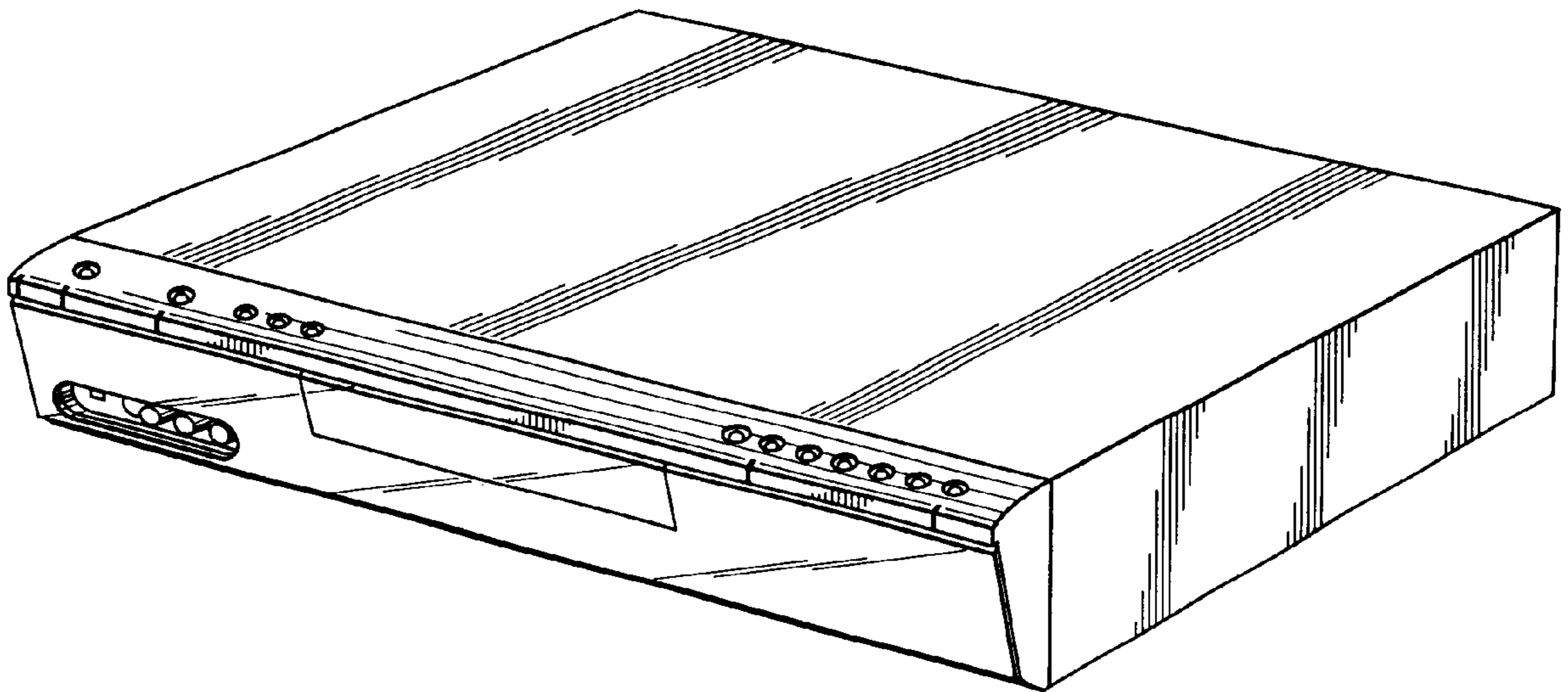


FIG. 1

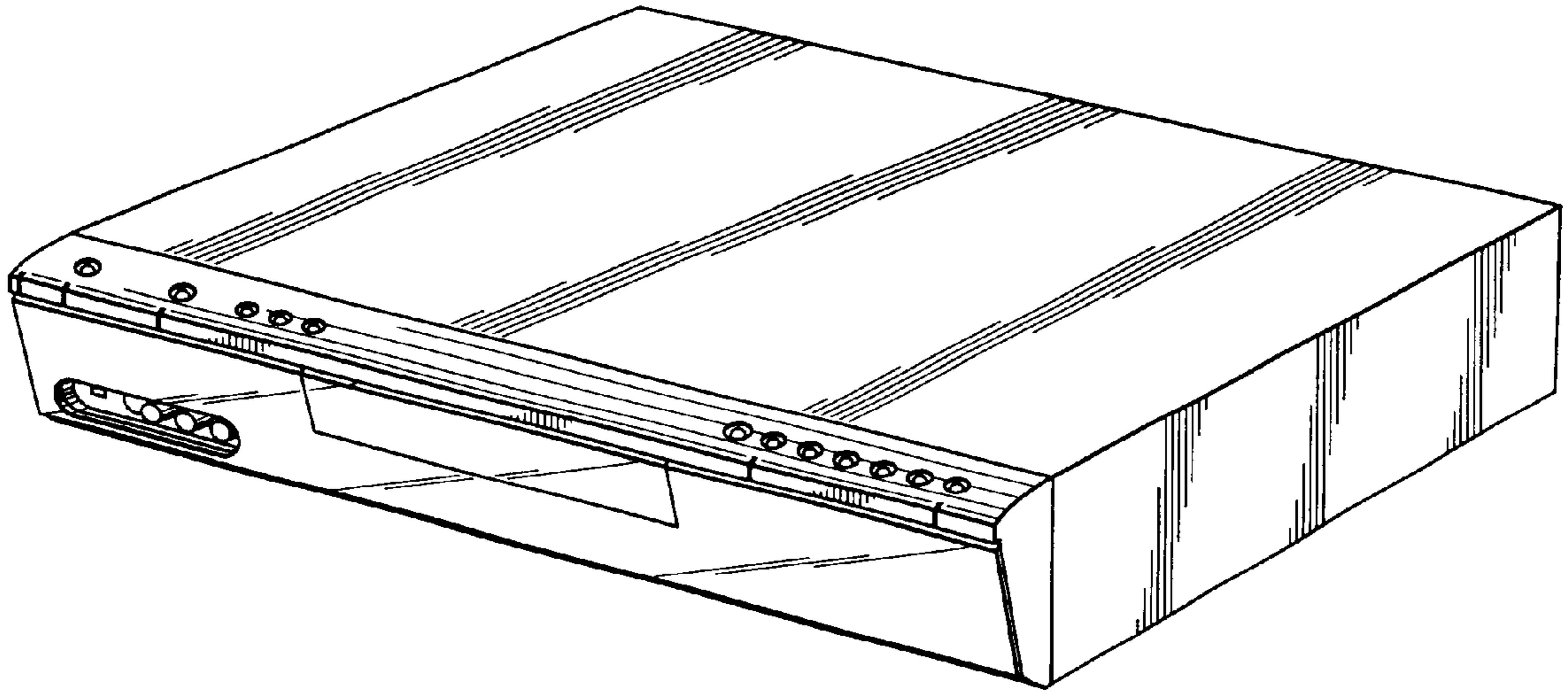


FIG. 2

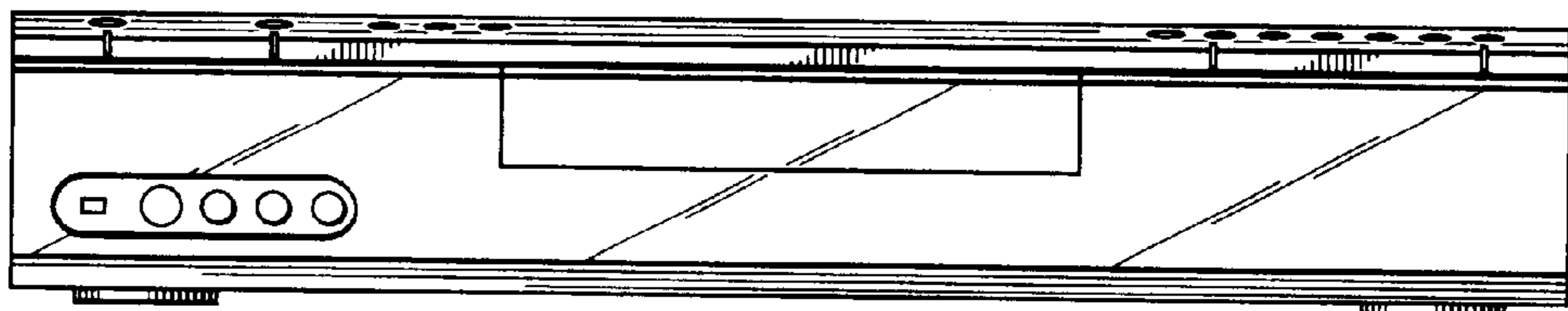


FIG. 3

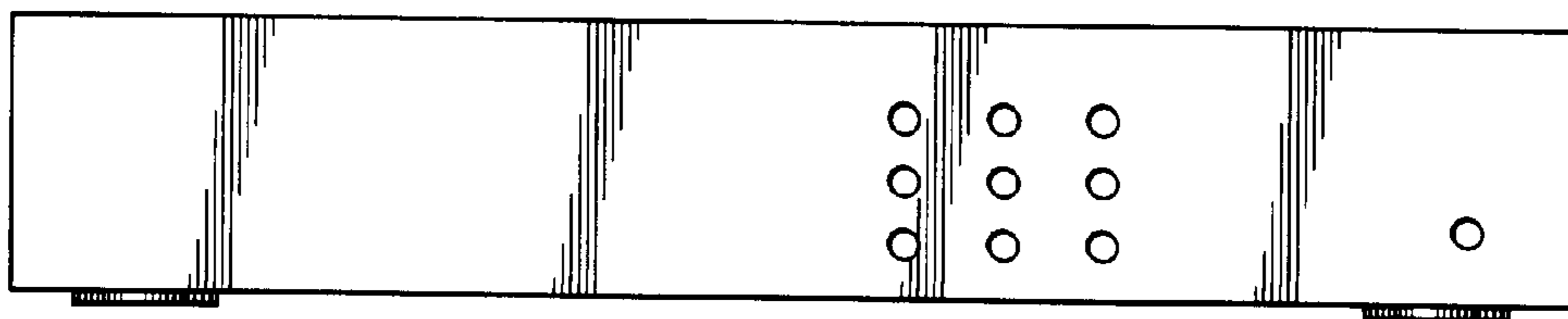


FIG. 4

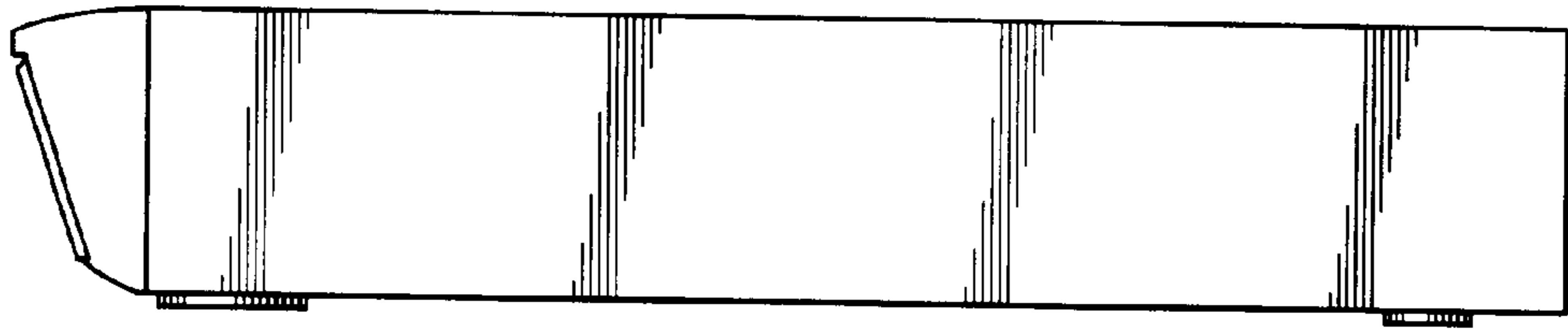


FIG. 5

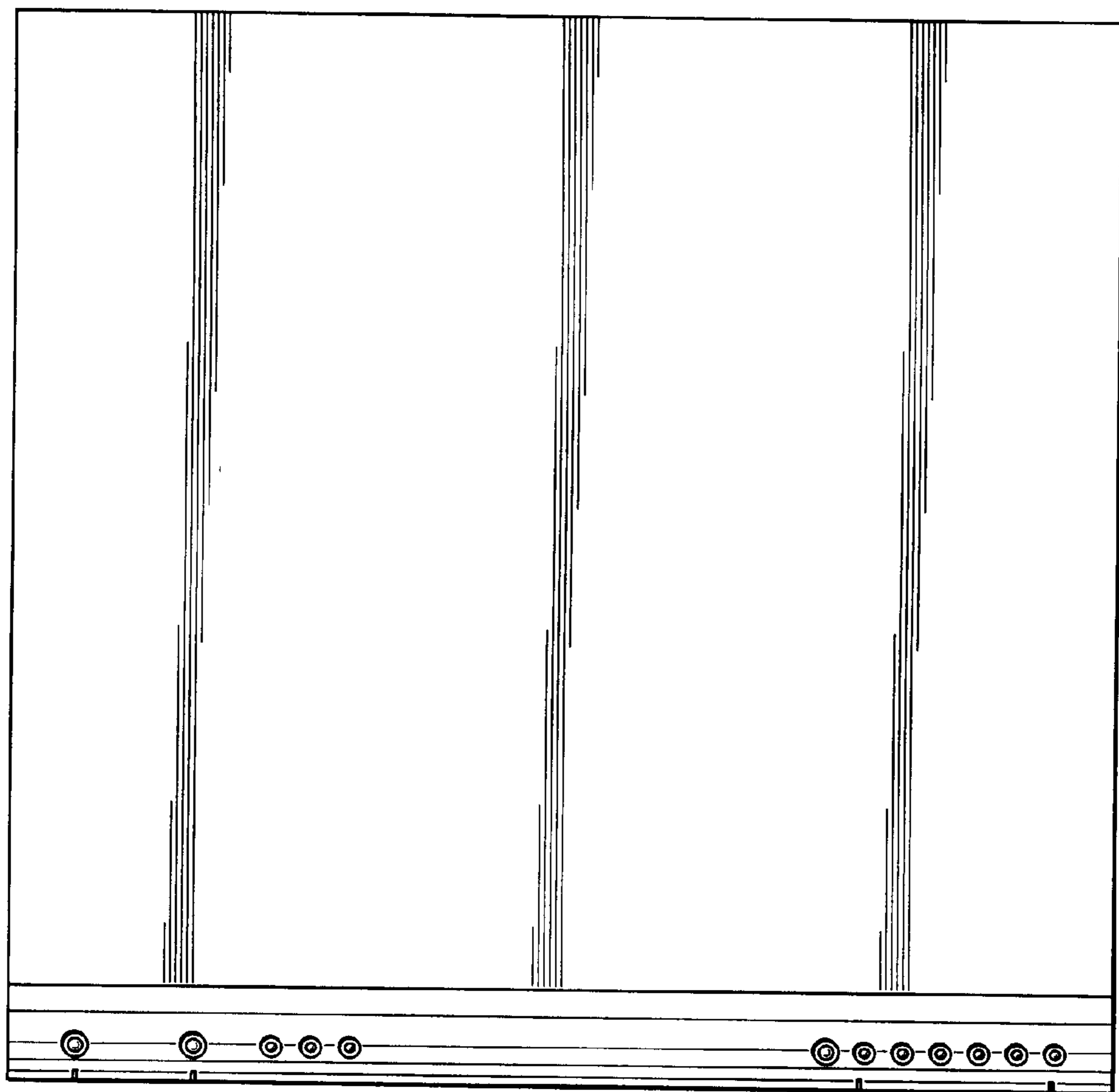


FIG. 6

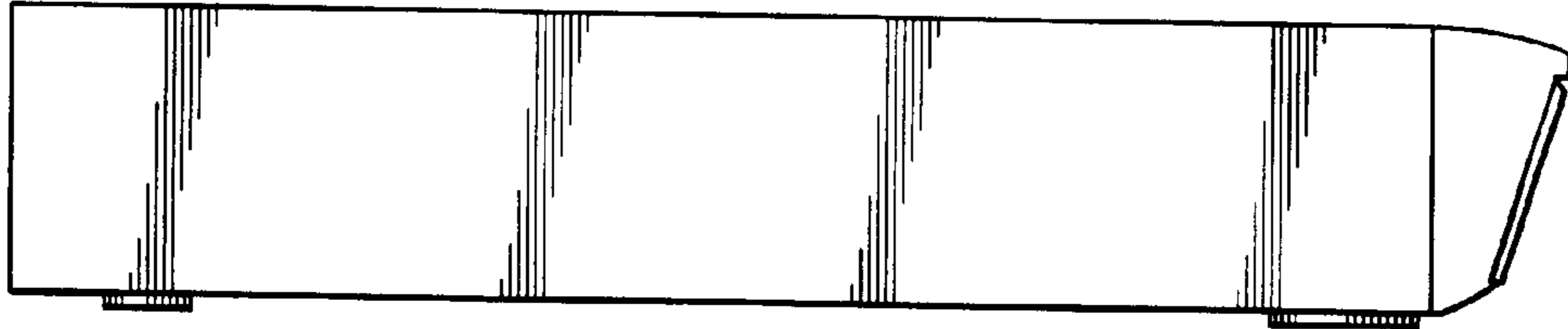


FIG. 7

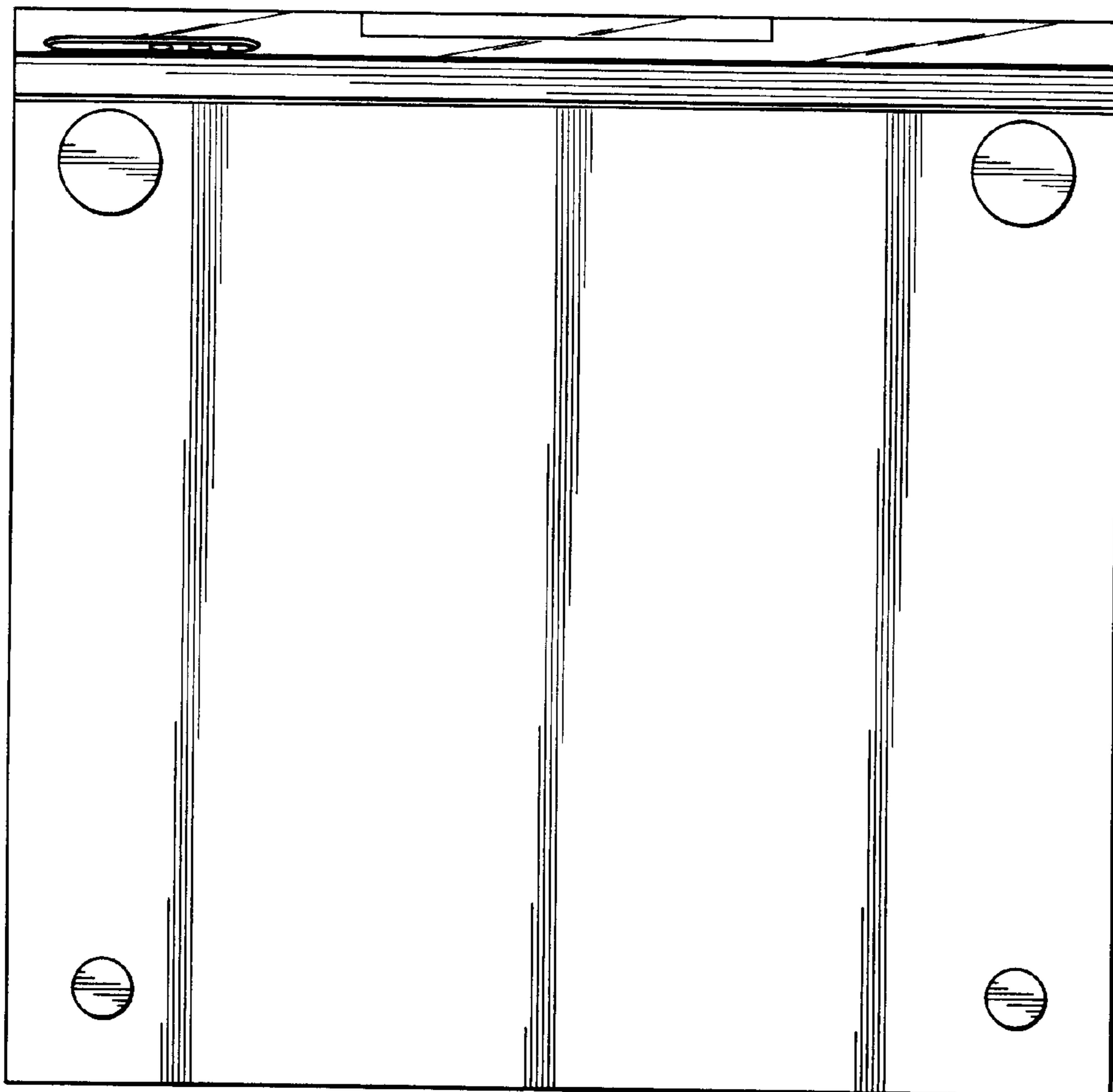


FIG. 8

