



US00D485240S

(12) **United States Design Patent**
Kuroki et al.

(10) **Patent No.:** **US D485,240 S**

(45) **Date of Patent:** **** Jan. 13, 2004**

(54) **ELECTRICAL CONNECTOR**

(75) Inventors: **Yoshihide Kuroki**, Tachikawa (JP);
Yukiko Sato, Akishima (JP)

(73) Assignee: **Japan Aviation Electronics Industry, Limited**, Tokyo (JP)

(**) Term: **14 Years**

(21) Appl. No.: **29/175,454**

(22) Filed: **Feb. 5, 2003**

(30) **Foreign Application Priority Data**

Aug. 9, 2002 (JP) 2002-024902

(51) **LOC (7) Cl.** **13-03**

(52) **U.S. Cl.** **D13/147**

(58) **Field of Search** D13/147; 439/352,
439/353, 357, 358

(56) **References Cited**

U.S. PATENT DOCUMENTS

- 5,569,047 A * 10/1996 Pauza et al. 439/353
- 5,660,558 A * 8/1997 Osanai et al. 439/353
- D415,108 S * 10/1999 Arai D13/147
- D416,230 S * 11/1999 Narumo et al. D13/147
- 6,099,339 A * 8/2000 Yanagida et al. 439/358

- D437,291 S * 2/2001 Ohtani D13/147
- D447,467 S * 9/2001 Hisada et al. D13/147
- D462,325 S * 9/2002 Nakatomi D13/147
- D463,372 S * 9/2002 Sato et al. D13/147
- 6,454,592 B2 * 9/2002 Takagi 439/353 X
- 2001/0055903 A1 * 12/2001 Takagi et al. 439/353

* cited by examiner

Primary Examiner—Joel Sincavage

(74) *Attorney, Agent, or Firm*—Michael, Best & Friedrich LLC

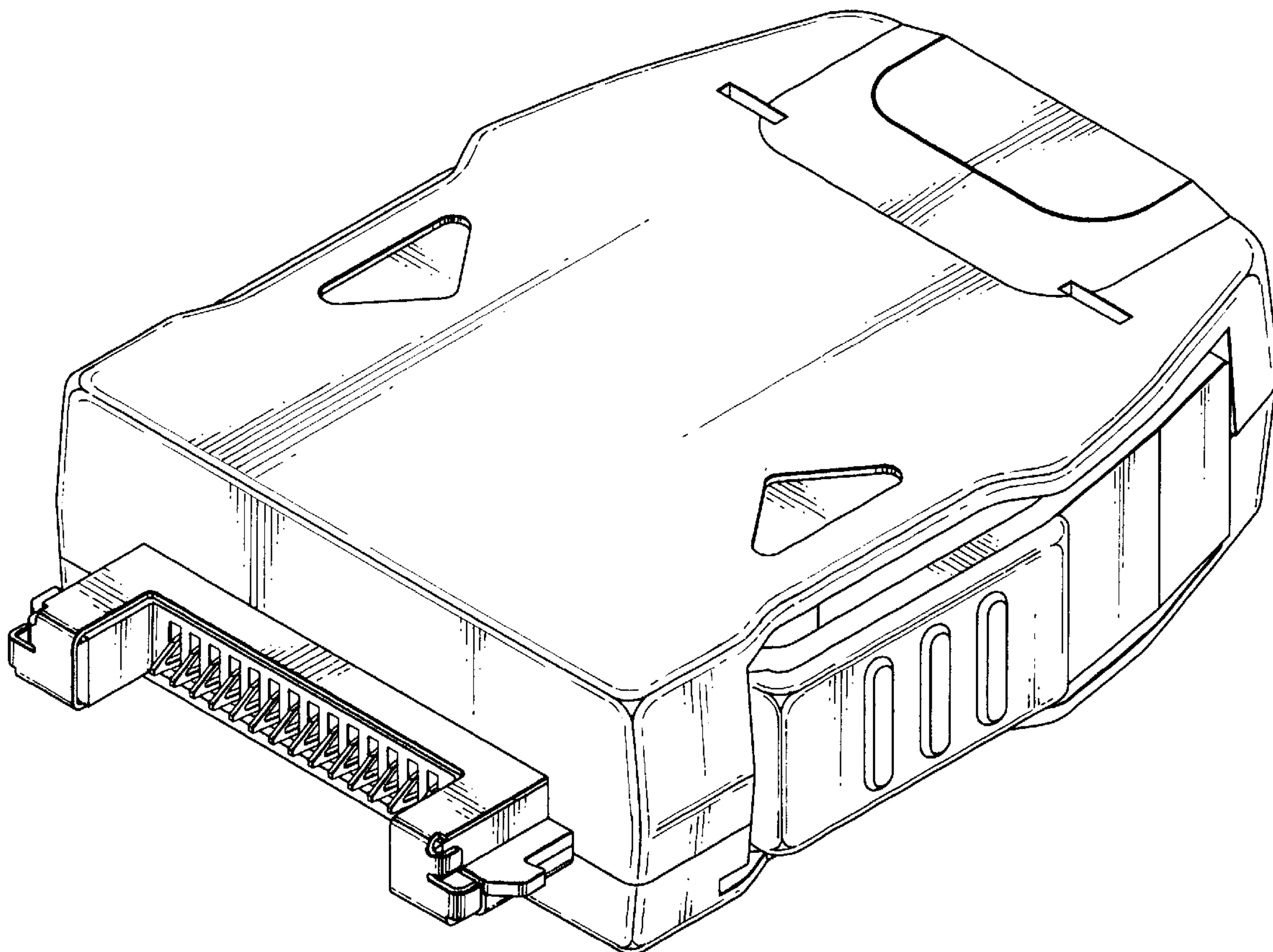
(57) **CLAIM**

The ornamental design for an electrical connector, as shown and described.

DESCRIPTION

FIG. 1 is a front elevational view of an electrical connector; FIG. 2 is a top plan view thereof; FIG. 3 is a bottom plan view thereof; FIG. 4 is a rear elevational view thereof; FIG. 5 is a left side elevational view thereof; FIG. 6 is a right side elevational view thereof; and, FIG. 7 is a perspective view of the front and right side thereof. The broken lines in FIG. 4 are included for the purpose of illustrating a portion of the connector that forms no part of the claimed design.

1 Claim, 6 Drawing Sheets



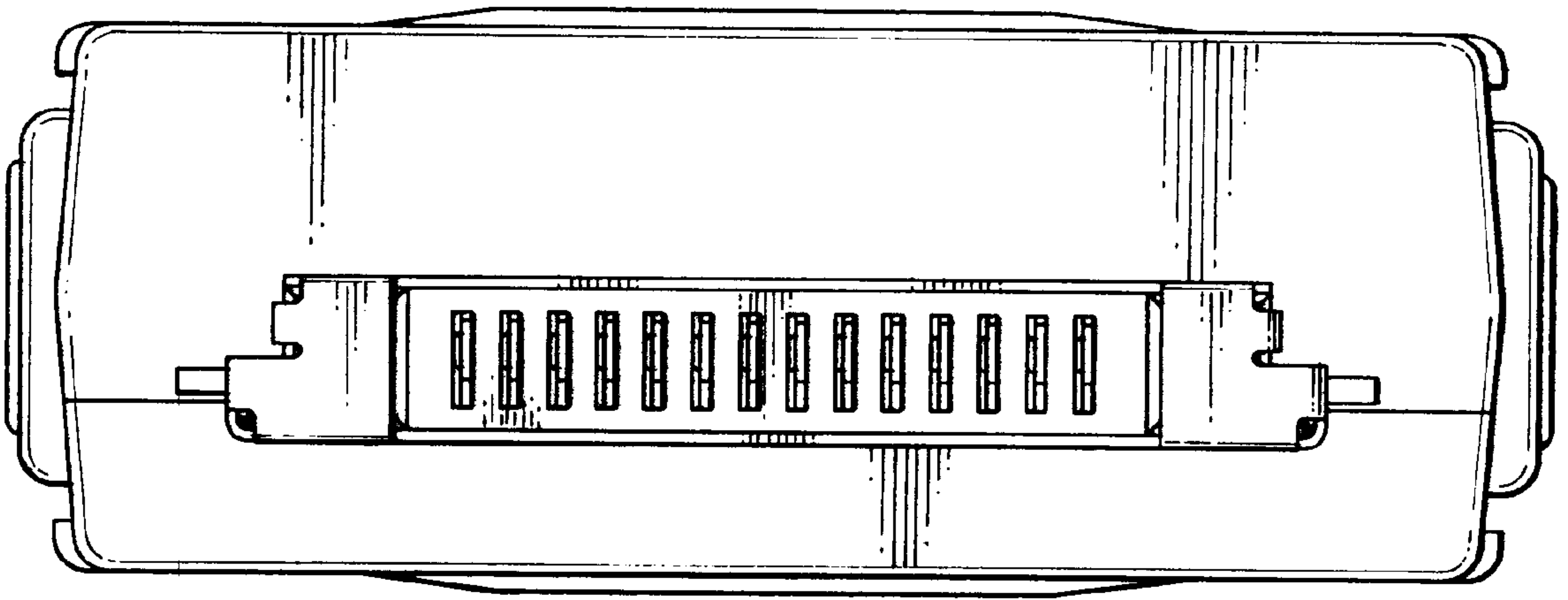


FIG. 1

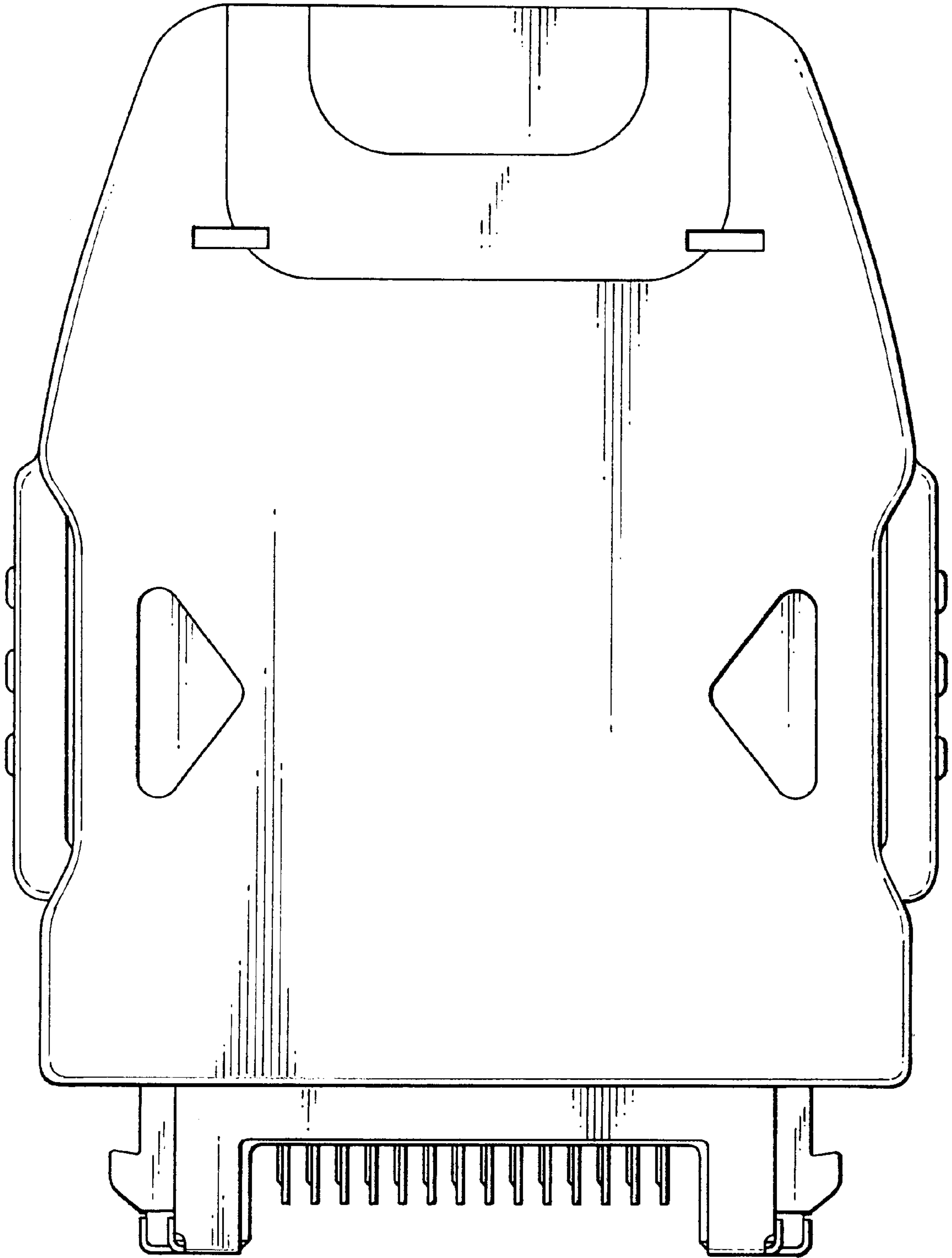


FIG. 2

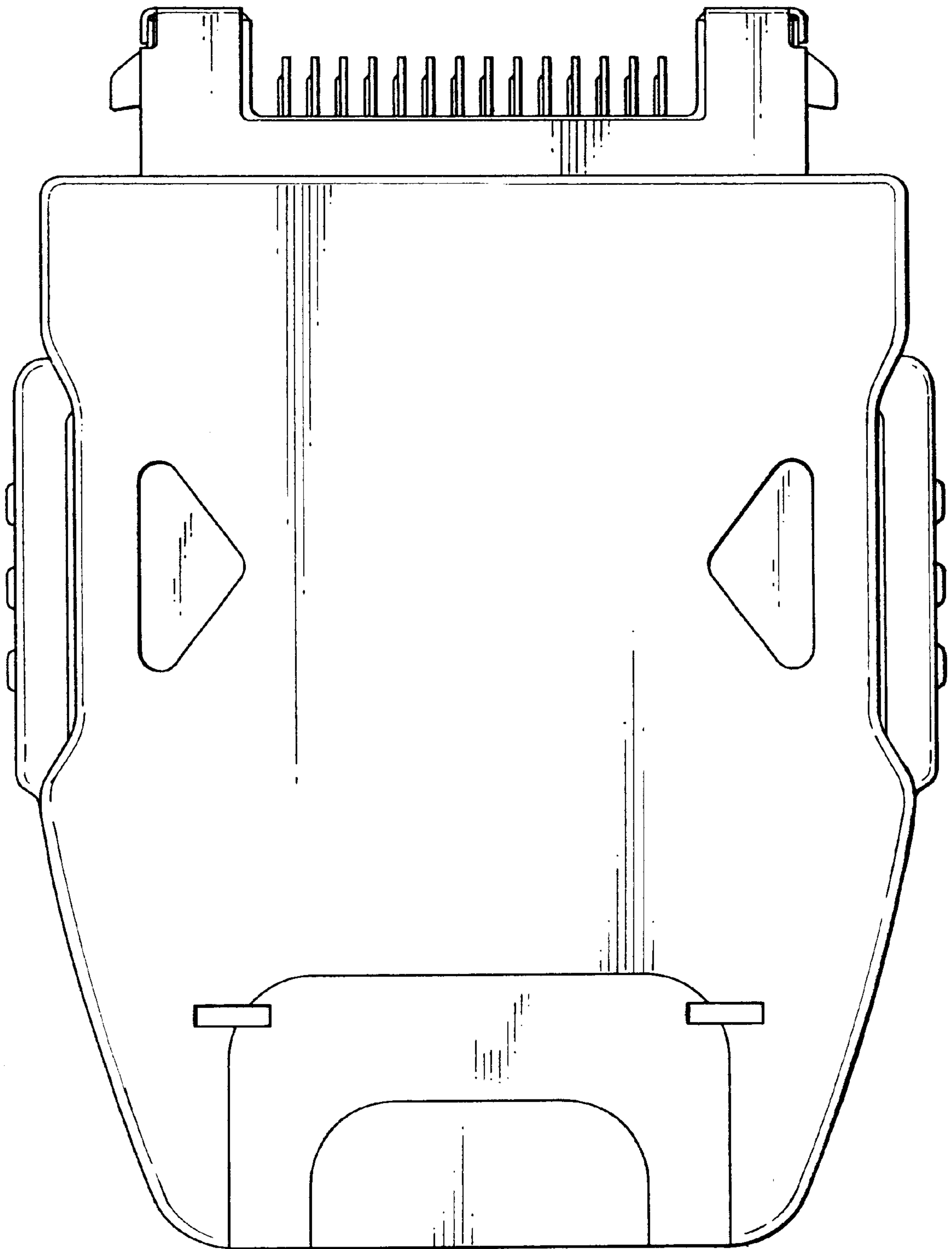


FIG. 3

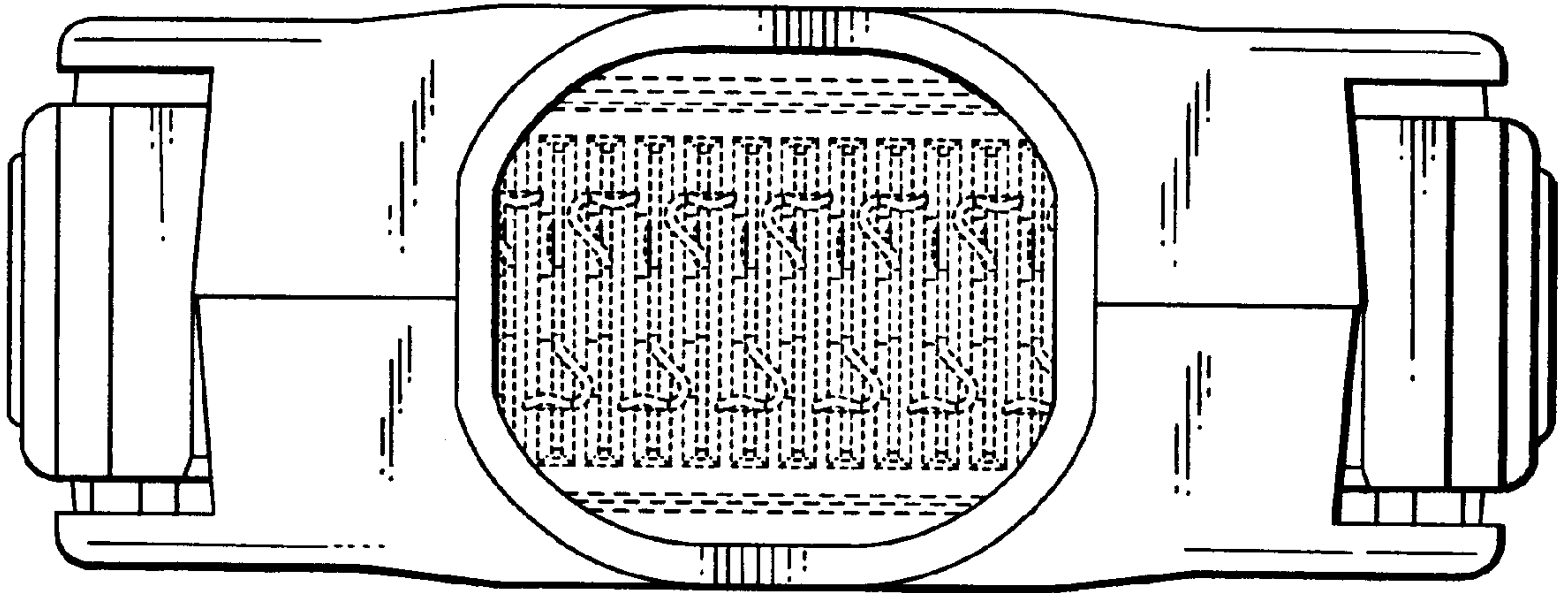


FIG. 4

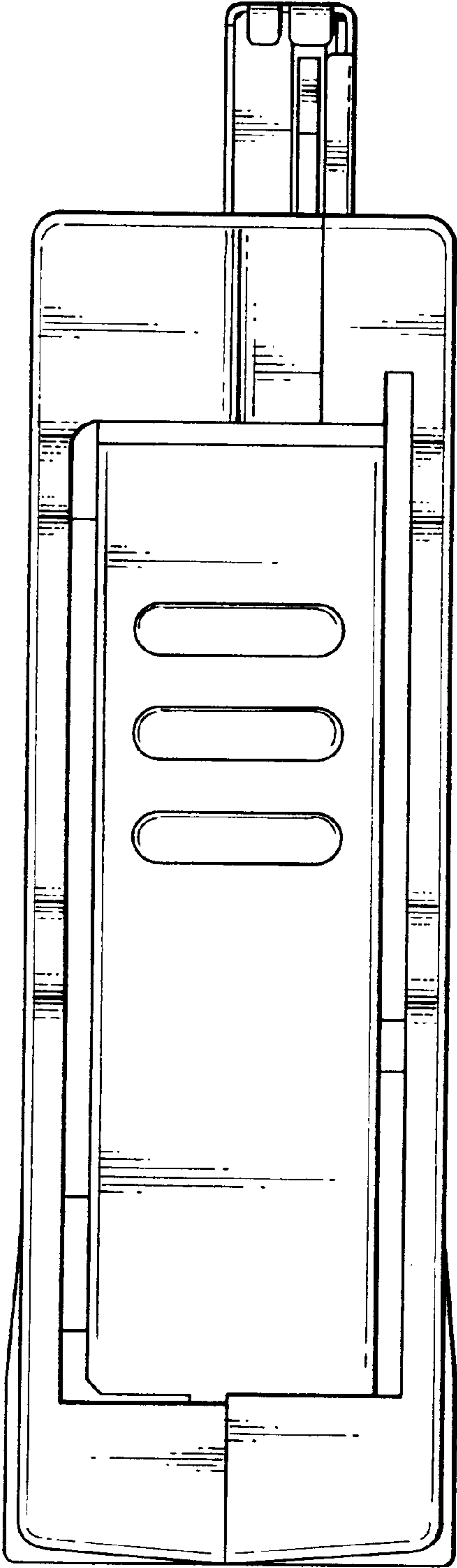


FIG. 5

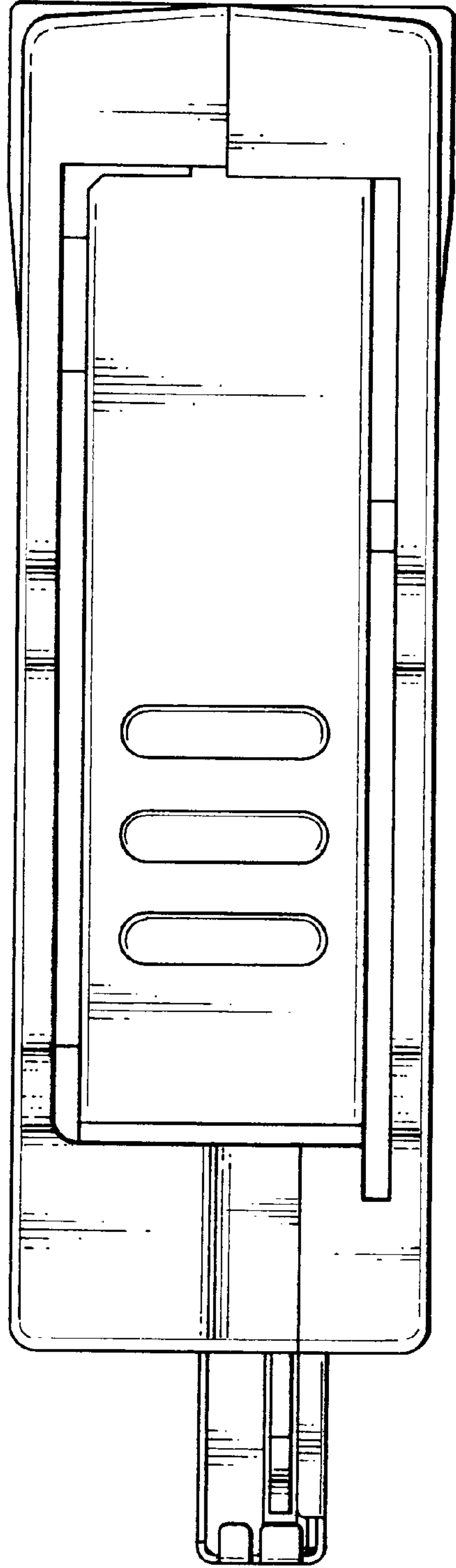


FIG. 6

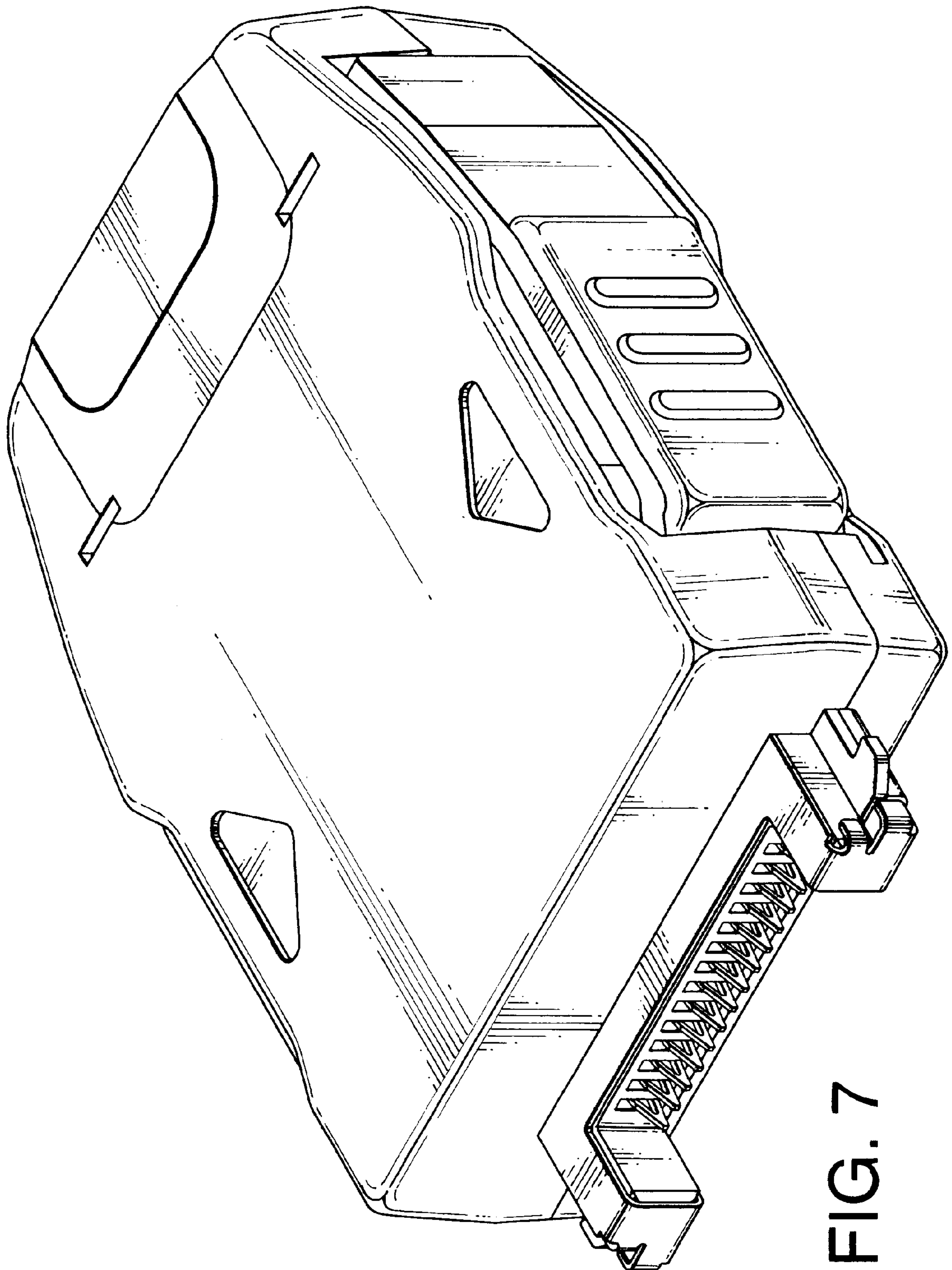


FIG. 7