



US00D485239S

(12) **United States Design Patent**
Whalin et al.

(10) **Patent No.:** **US D485,239 S**

(45) **Date of Patent:** **** Jan. 13, 2004**

(54) **PAIR OF CONNECTORS FOR A CORD SET**

Primary Examiner—Joel Sincavage

(76) Inventors: **Melany Lynn Whalin**, 9218 Backwater Dr., Indianapolis, IN (US) 46250; **Trisha Shannon Irbe**, 1196 E. 105th St., Indianapolis, IN (US) 46280; **John T. Houlihan**, 32 Middlefield St., Groton Long Point, CT (US) 06340

(57) **CLAIM**

The ornamental design for a pair of connectors for a cord set, as shown and described.

(**) Term: **14 Years**

DESCRIPTION

(21) Appl. No.: **29/176,218**

FIG. 1 is a front perspective view of the female member of the pair of connectors for a cord set according to the present invention;

(22) Filed: **Feb. 18, 2003**

FIG. 2 is a front elevational view thereof;

(51) **LOC (7) Cl.** **13-03**

FIG. 3 is a rear elevational view thereof;

(52) **U.S. Cl.** **D13/137.4; D13/138.2; D13/139.1; D13/139.7**

FIG. 4 is a left side elevational view thereof;

(58) **Field of Search** **D13/137.1, 137.4, D13/138.1, 138.2, 139.1, 139.7, 154; 439/106, 369, 651, 652, 694**

FIG. 5 is a right side elevational view thereof;

FIG. 6 is a top plan view thereof; and

FIG. 7 is a bottom plan view thereof.

(56) **References Cited**

FIG. 8 is a front perspective view of the male member of the pair of connectors for a cord set according to the present invention;

U.S. PATENT DOCUMENTS

2,894,242	A	*	7/1959	Bickford et al.	439/694
5,066,097	A	*	11/1991	Brandle et al.	385/76
5,286,213	A	*	2/1994	Altergott et al.	439/13
5,622,509	A	*	4/1997	Smythe et al.	439/106
6,113,413	A	*	9/2000	Cronin et al.	439/352
D448,006	S	*	9/2001	Lee	D13/133
6,338,657	B1	*	1/2002	Harper et al.	439/692
D465,205	S	*	11/2002	Orpilla et al.	D13/154
D468,264	S	*	1/2003	Sugino	D13/133
D473,194	S	*	4/2003	Lee	D13/154

FIG. 9 is a front elevational view thereof;

FIG. 10 is a rear elevational view thereof;

FIG. 11 is a left side elevational view thereof;

FIG. 12 is a right side elevational view thereof;

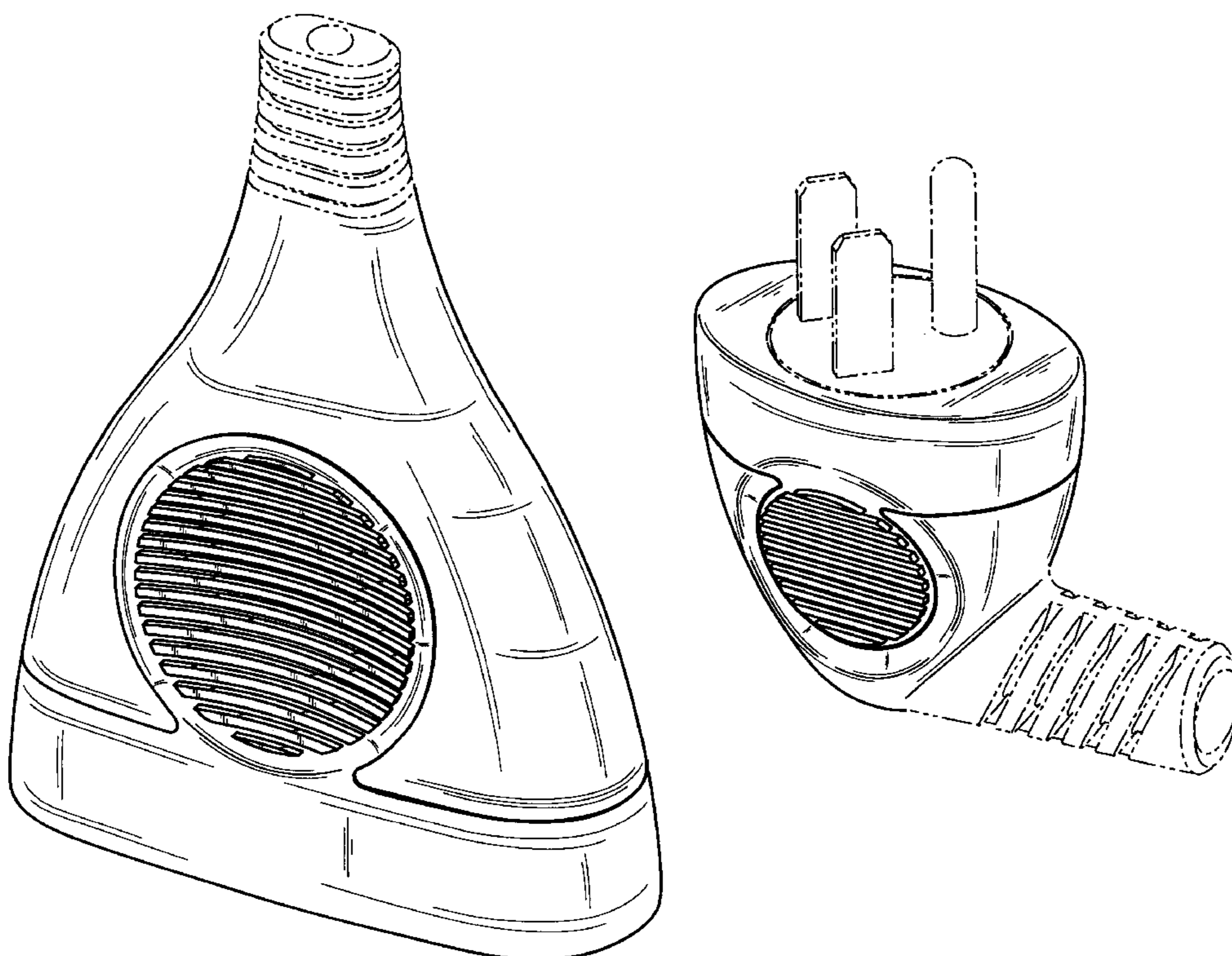
FIG. 13 is a top plan view thereof; and,

FIG. 14 is a bottom plan view thereof.

The broken lines are included for the purpose of illustrating portions of the connectors that form no part of the claimed design.

* cited by examiner

1 Claim, 9 Drawing Sheets



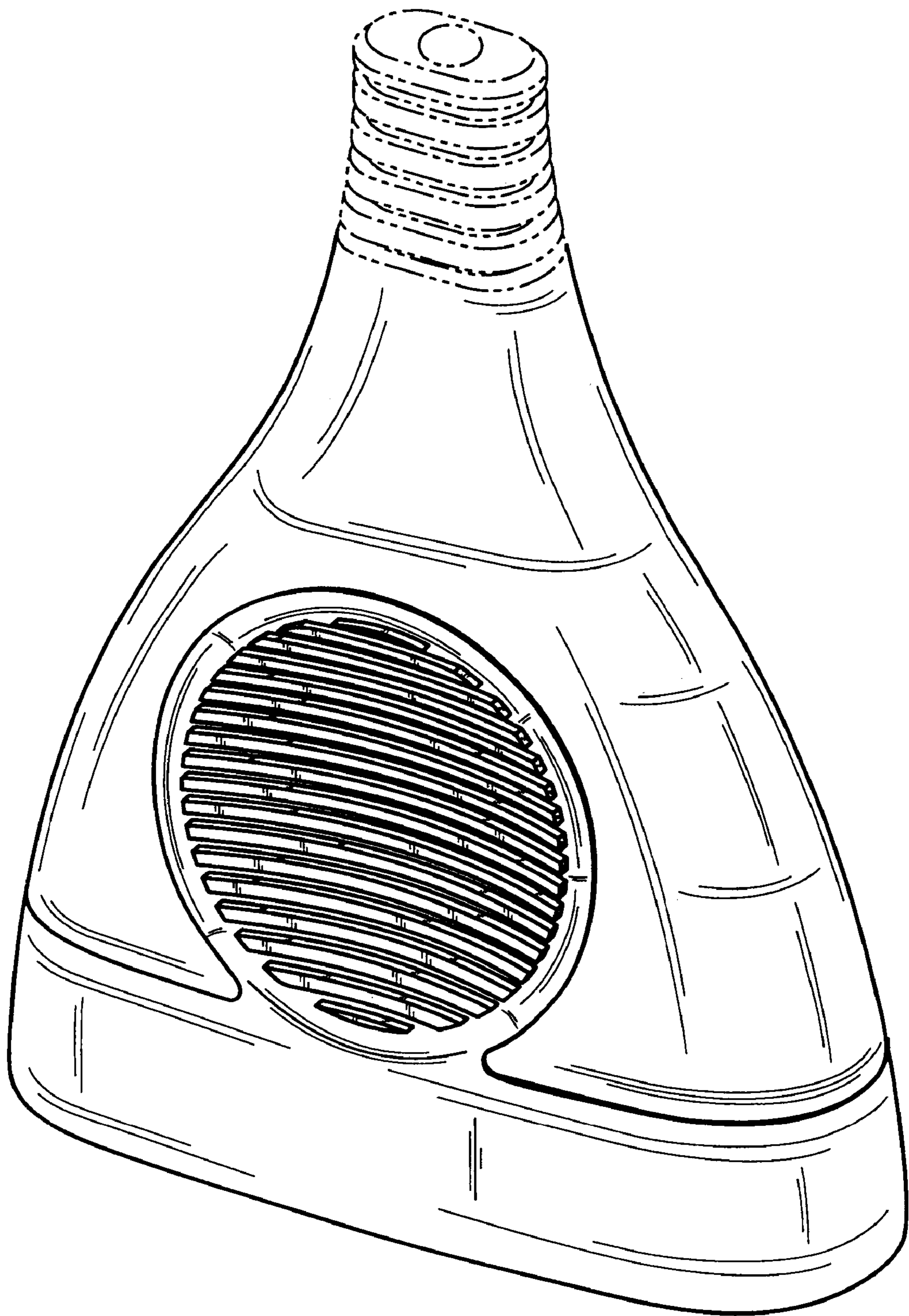


Fig. 1

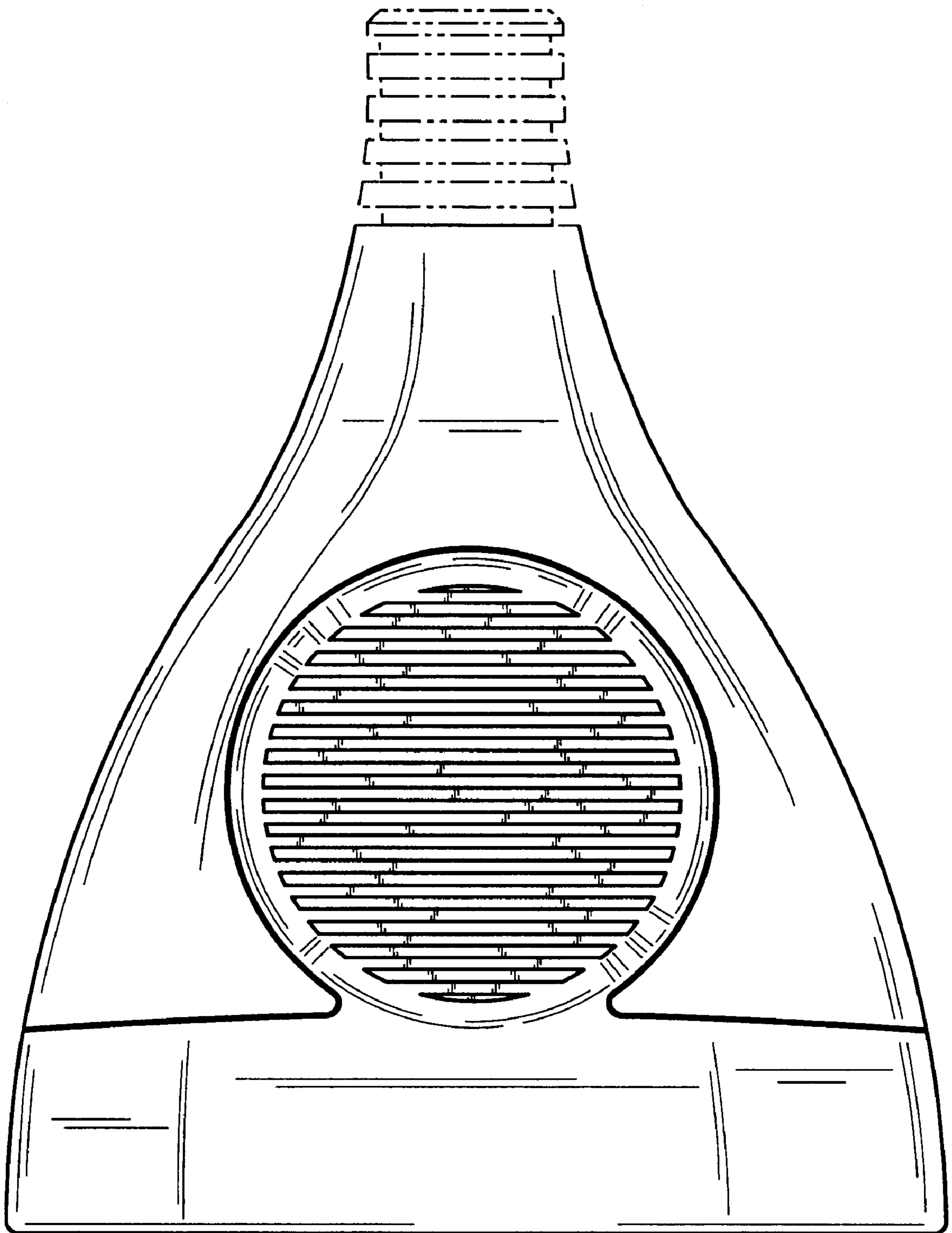


Fig. 2

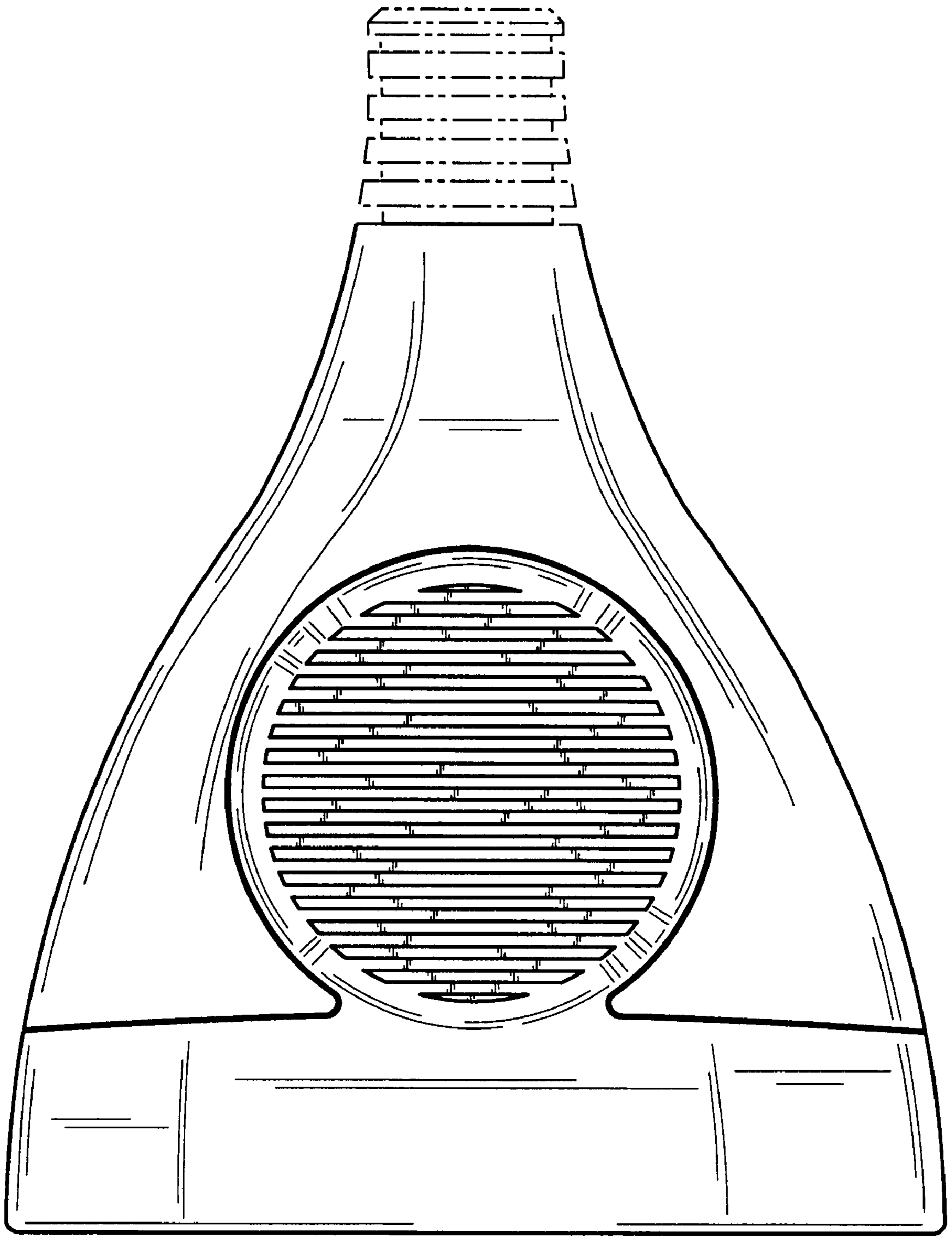


Fig. 3

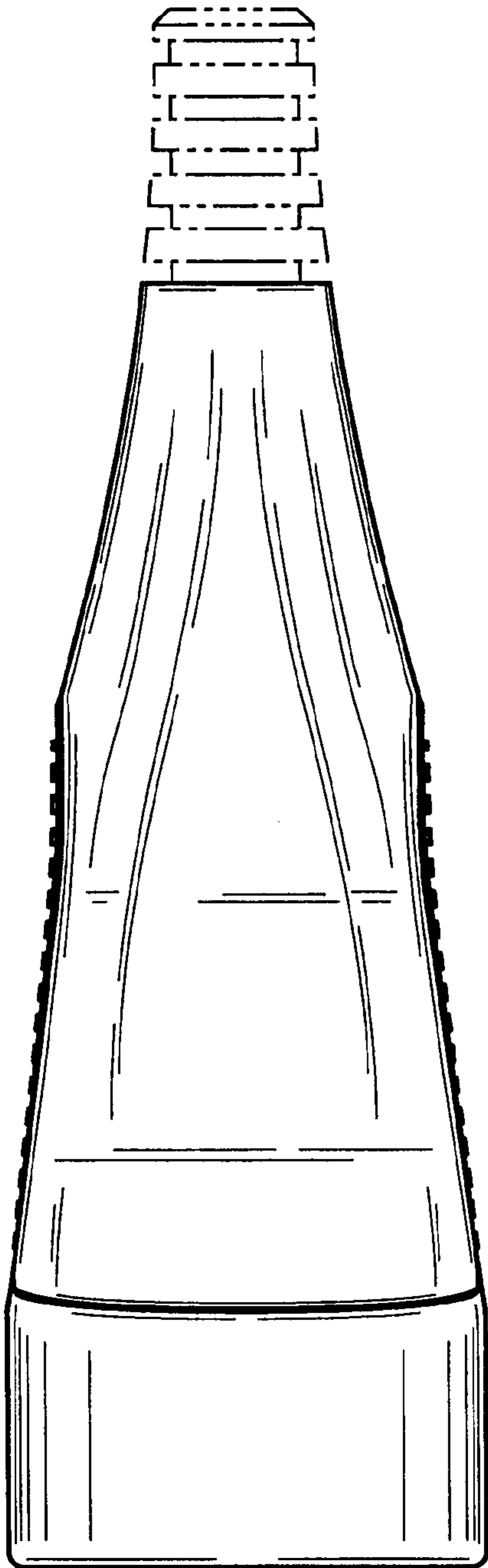


Fig. 4

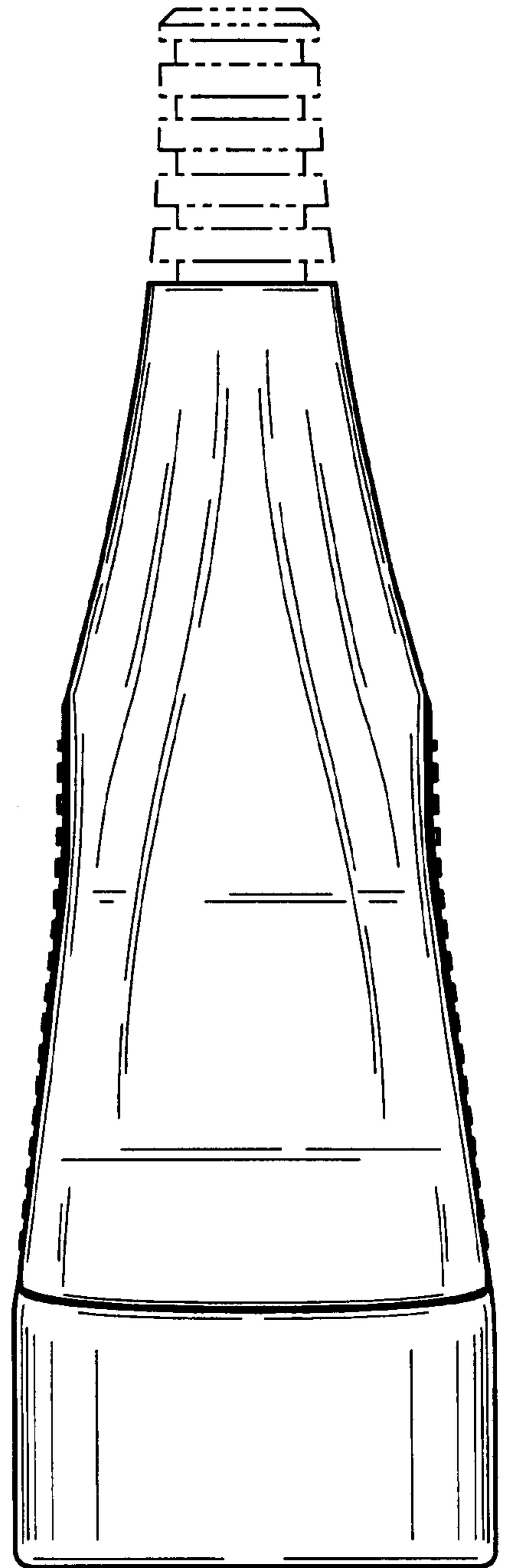


Fig. 5

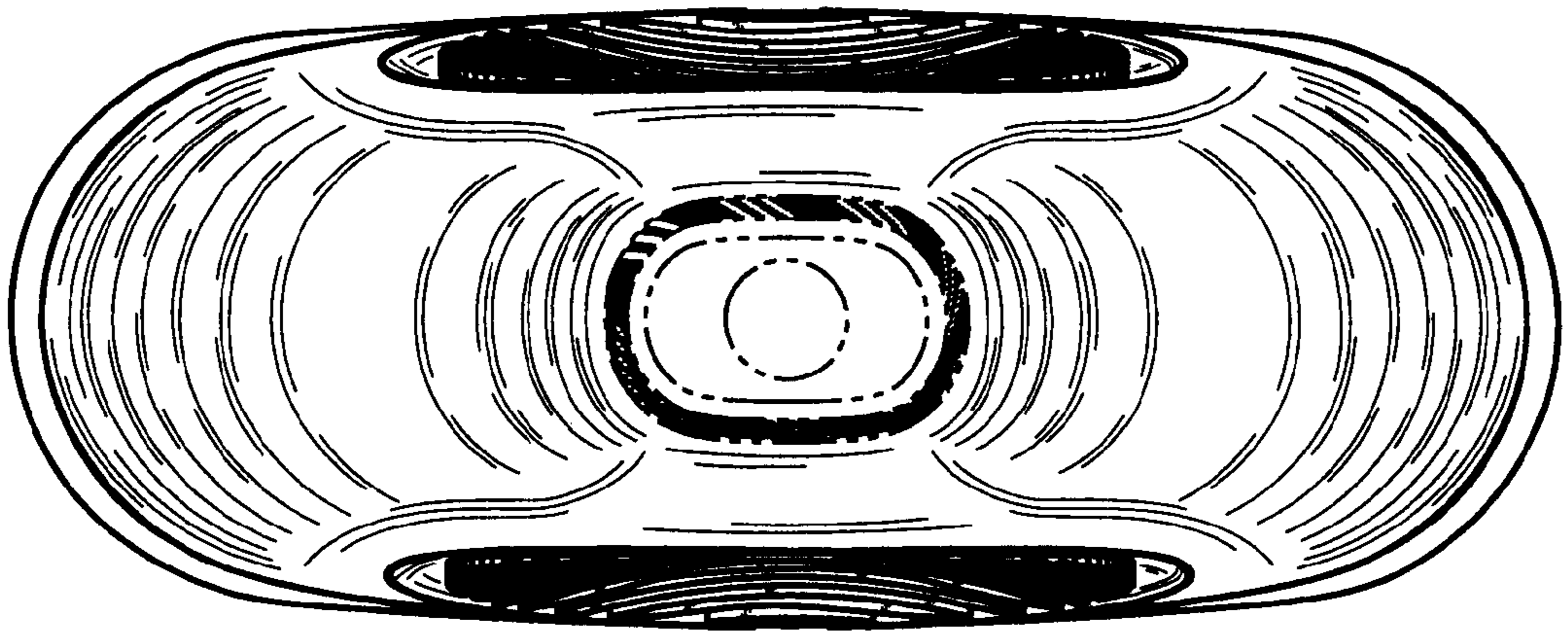


Fig. 6

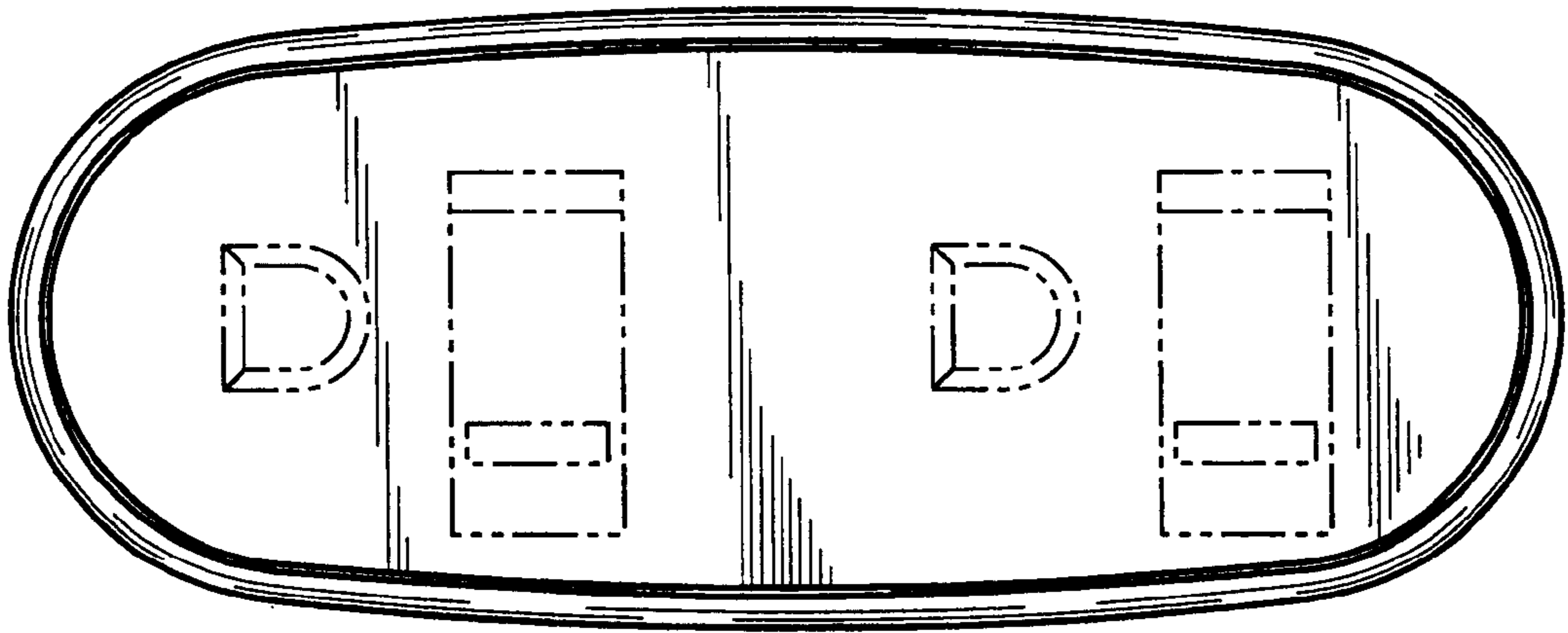


Fig. 7

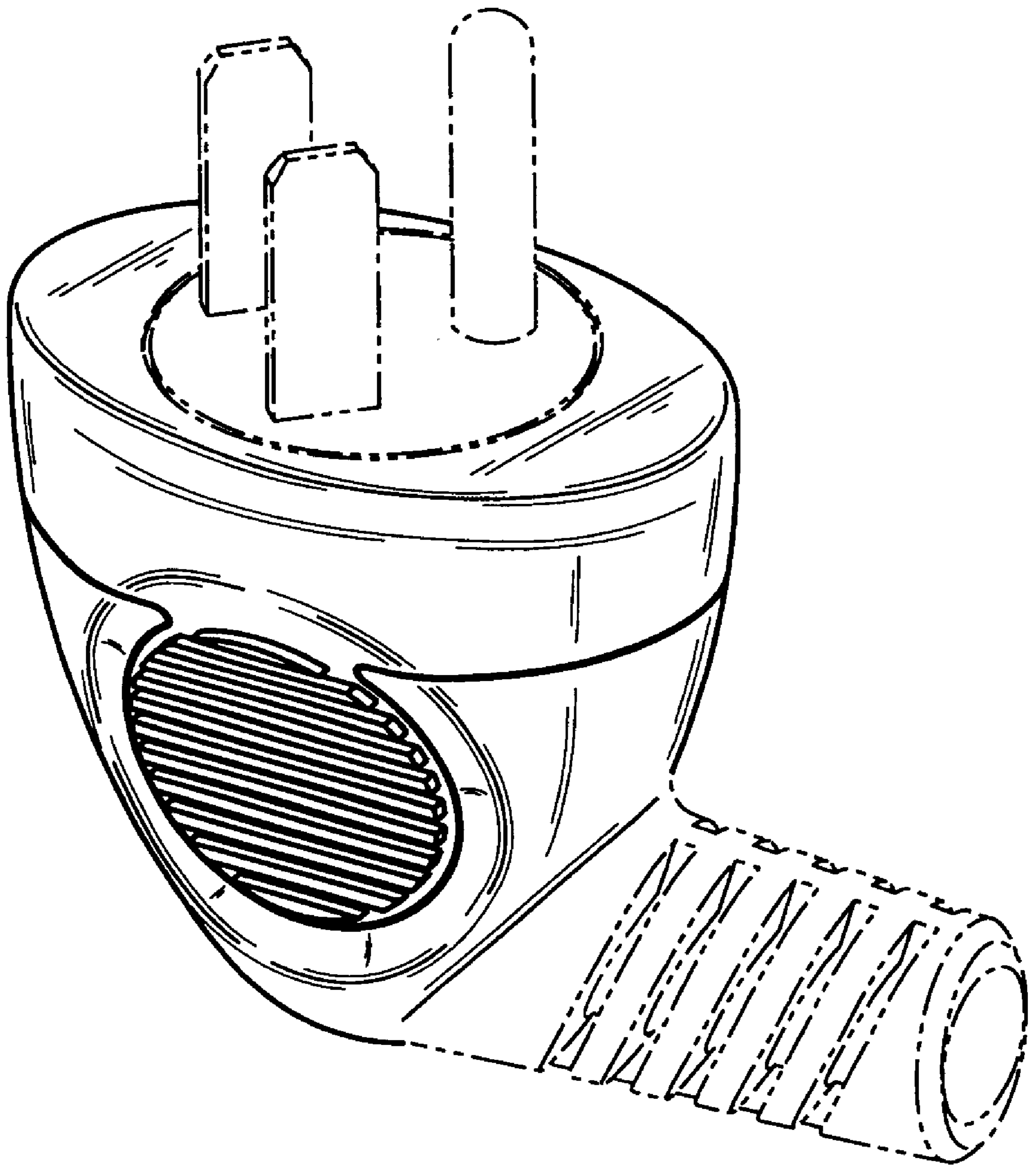


Fig. 8

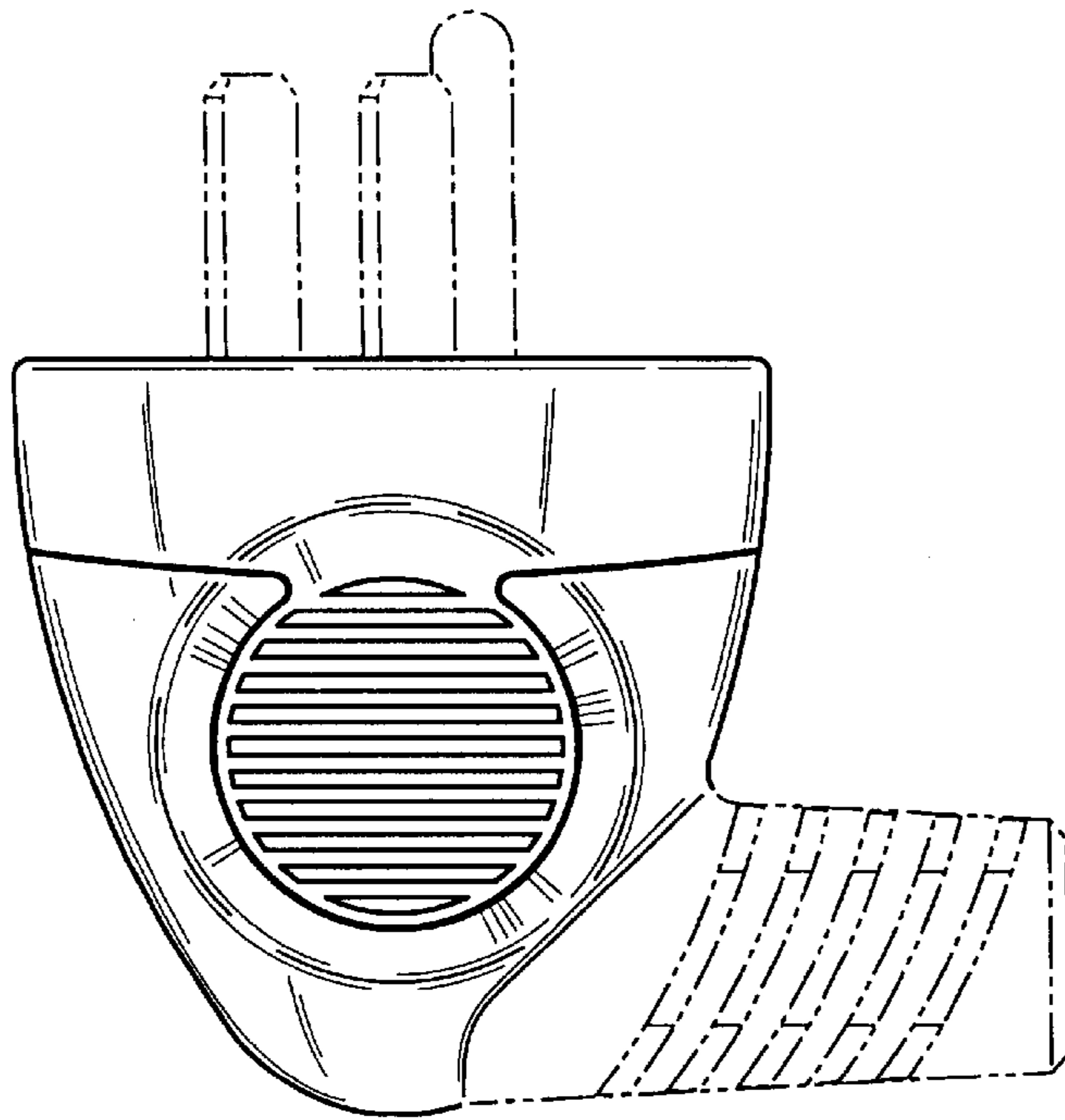


Fig. 9

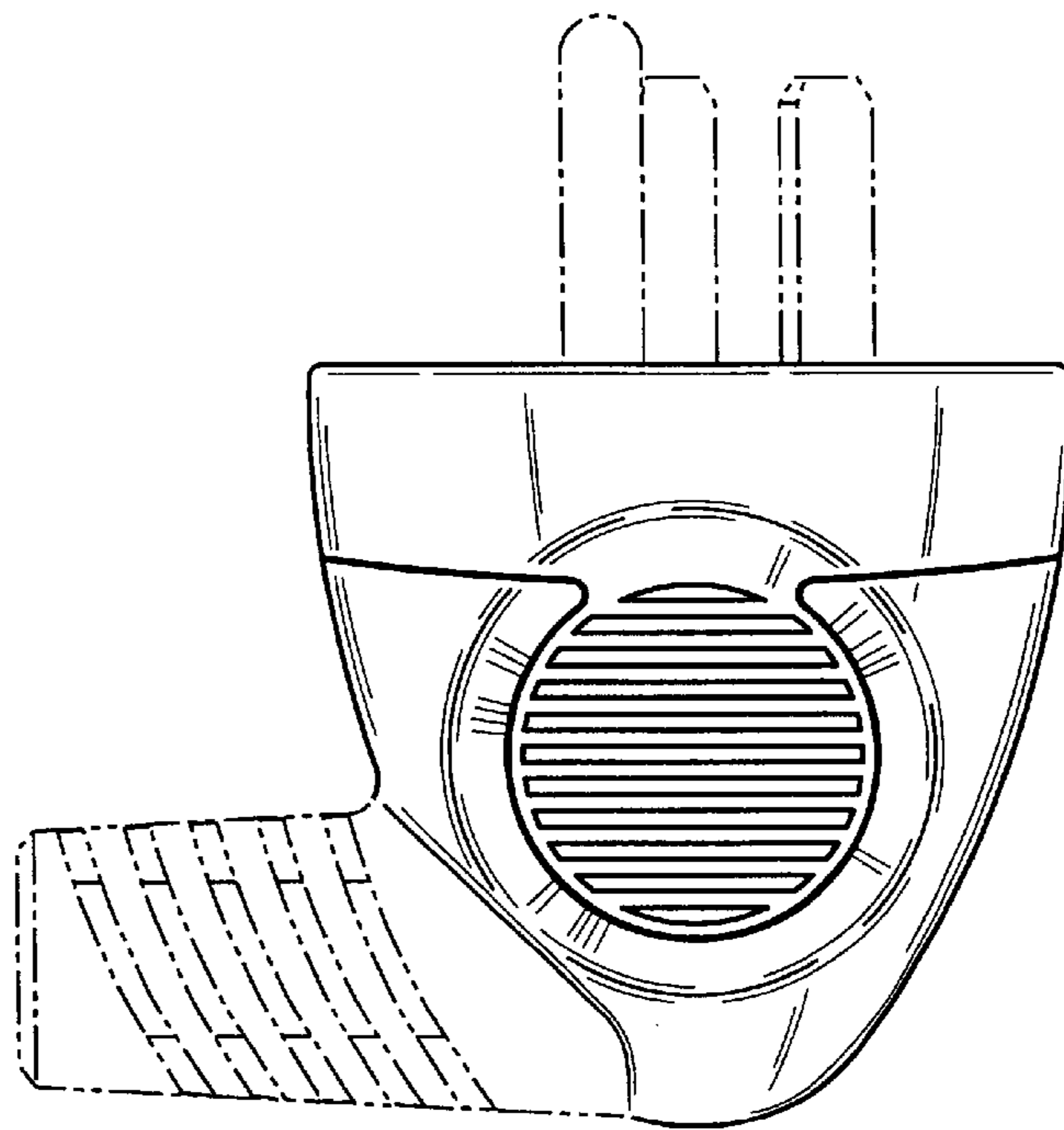


Fig. 10

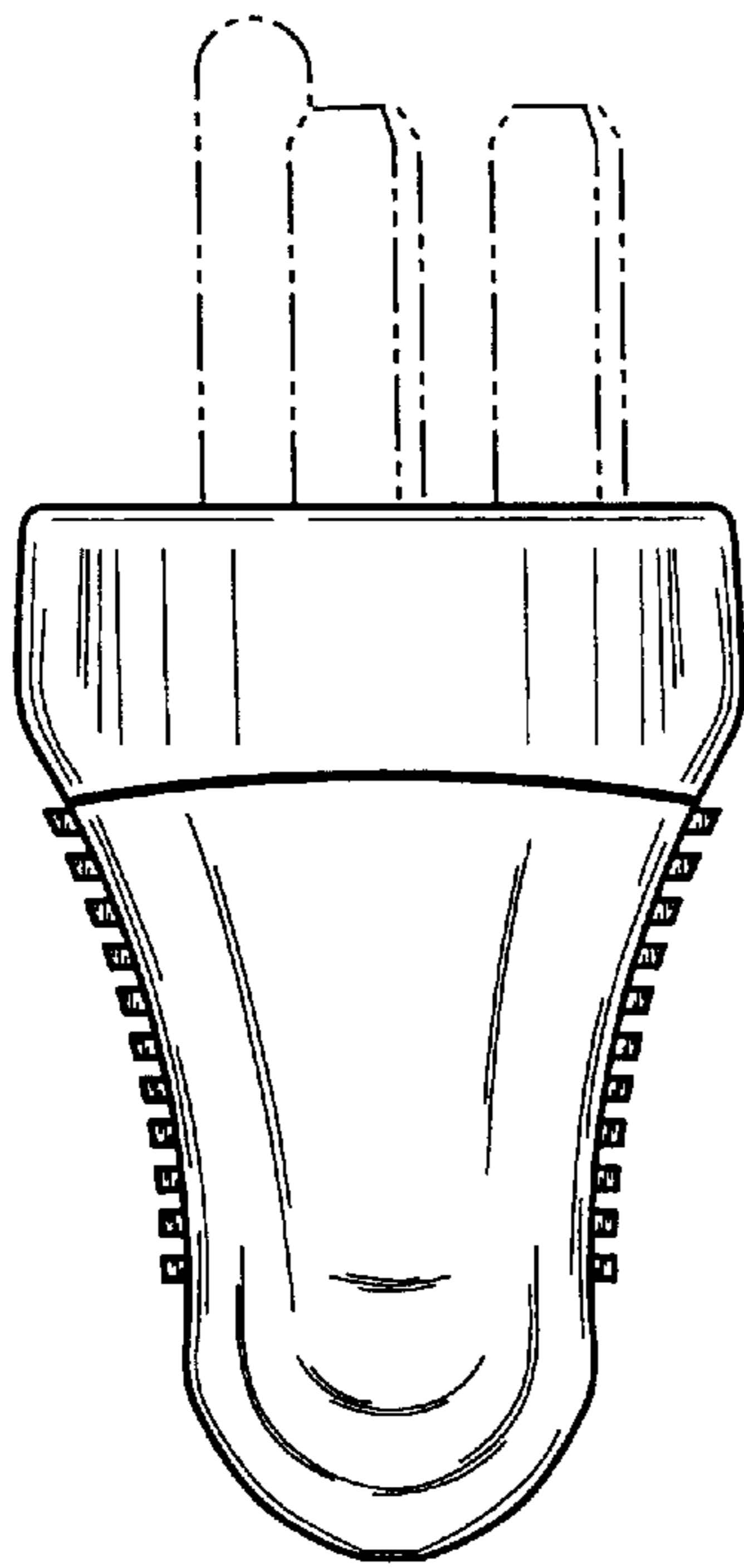


Fig. 11

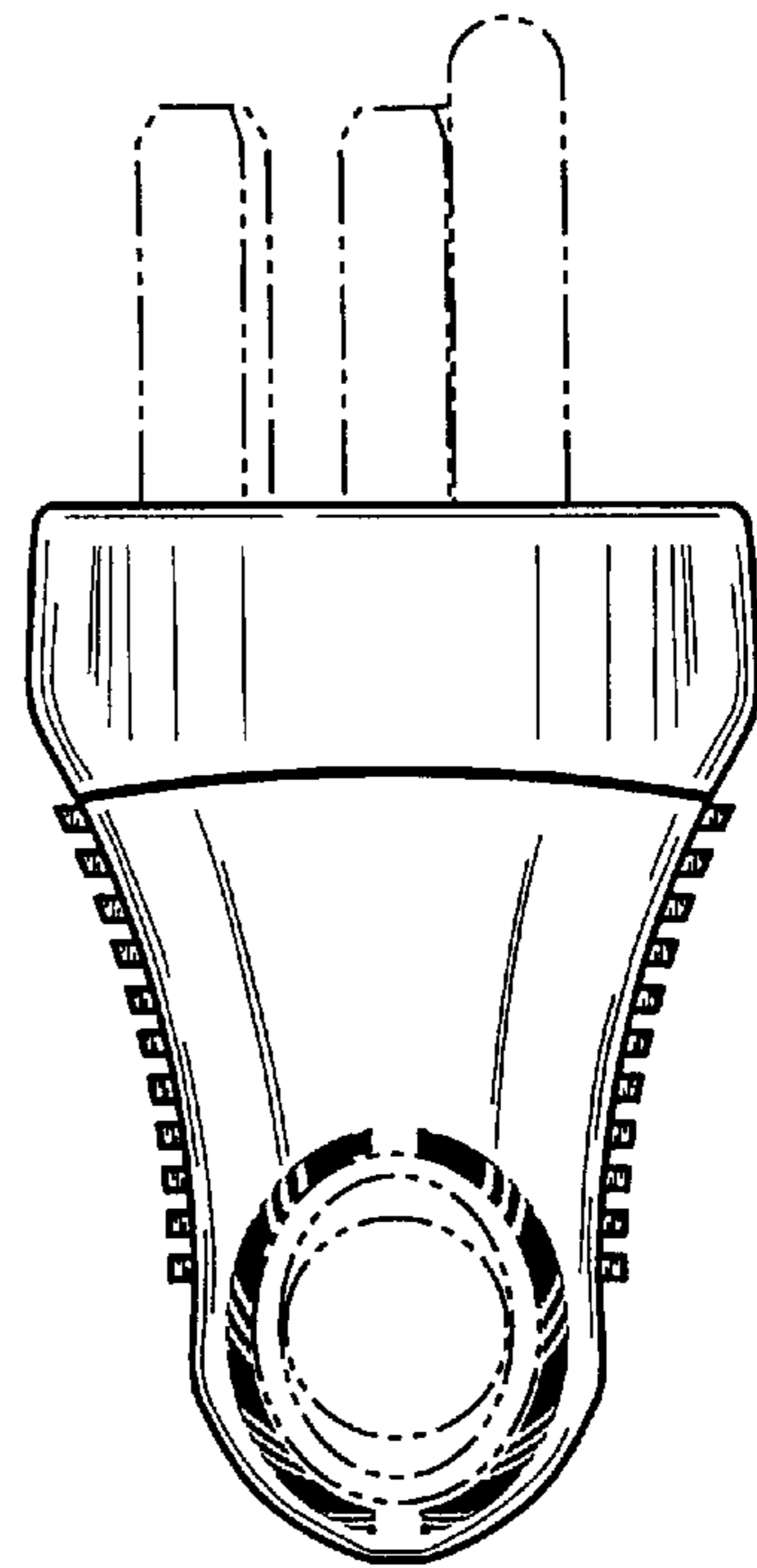


Fig. 12

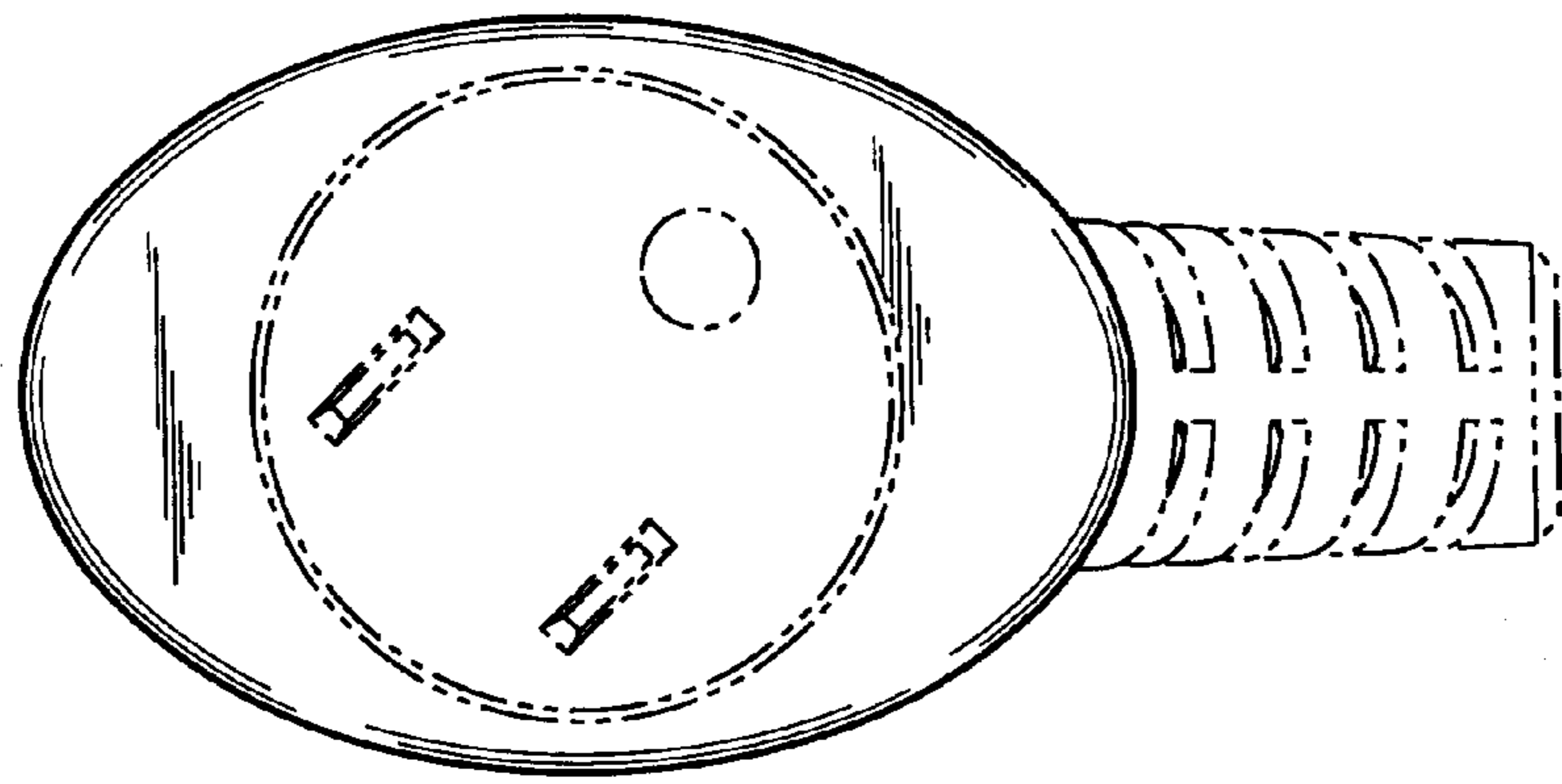


Fig. 13

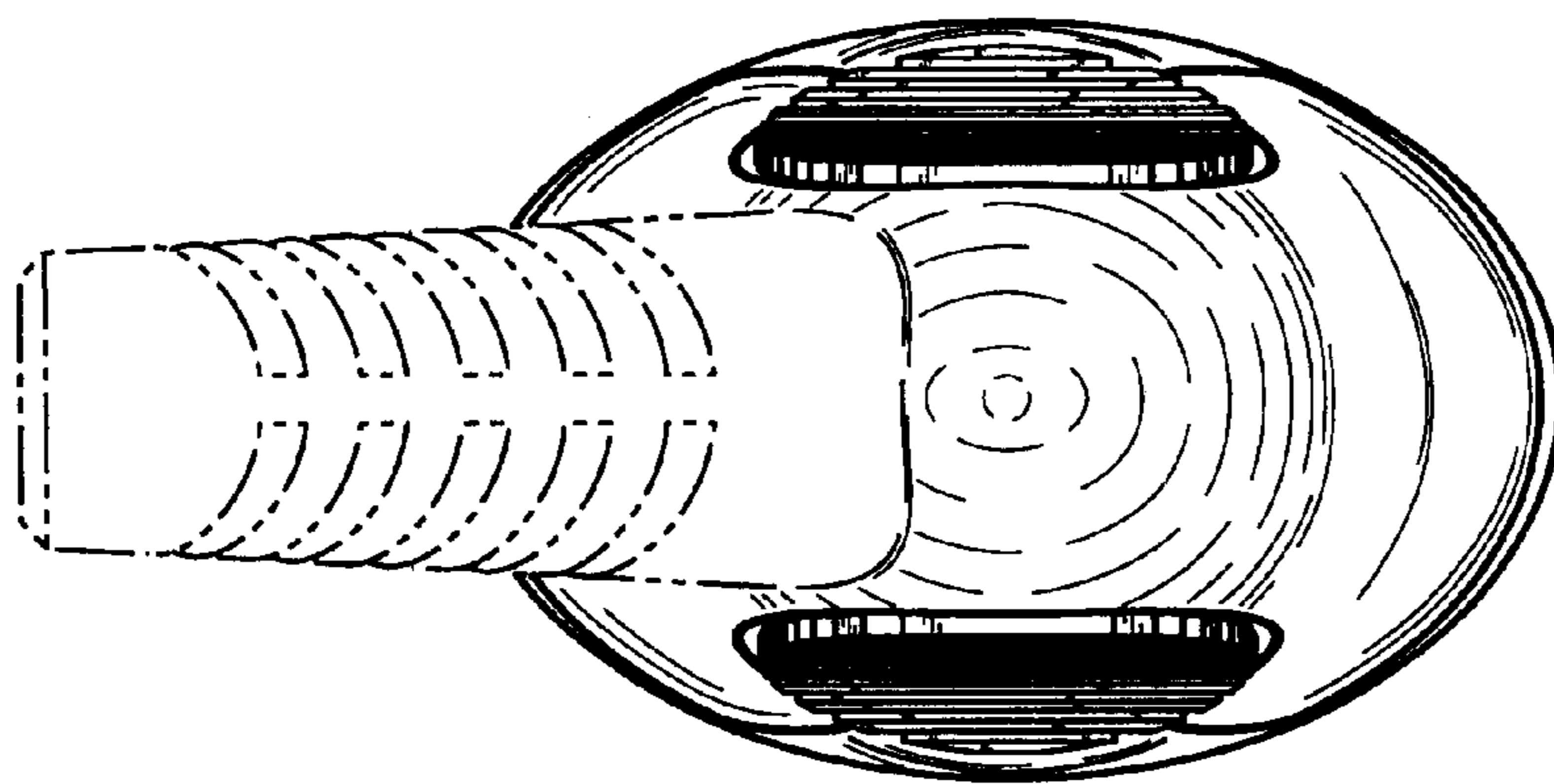


Fig. 14