



US00D485235S

(12) **United States Design Patent**  
**Liang**

(10) **Patent No.:** **US D485,235 S**

(45) **Date of Patent:** **\*\* Jan. 13, 2004**

(54) **ELECTRIC COUPLER FOR BATTERIES**

D478,312 S \* 8/2003 Liang ..... D13/120

(76) **Inventor:** **Shih Chung Liang**, P.O. Box 10-69,  
Chong Ho, Taipei (TW), 235

\* cited by examiner

*Primary Examiner*—Joel Sincavage

(\*\*) **Term:** **14 Years**

(57) **CLAIM**

(21) **Appl. No.:** **29/177,344**

The ornamental design for an electric coupler for batteries,  
as shown and described.

(22) **Filed:** **Mar. 7, 2003**

**DESCRIPTION**

(51) **LOC (7) Cl.** ..... **13-03**

(52) **U.S. Cl.** ..... **D13/120**

(58) **Field of Search** ..... D13/120; 439/761-764;  
429/121, 178

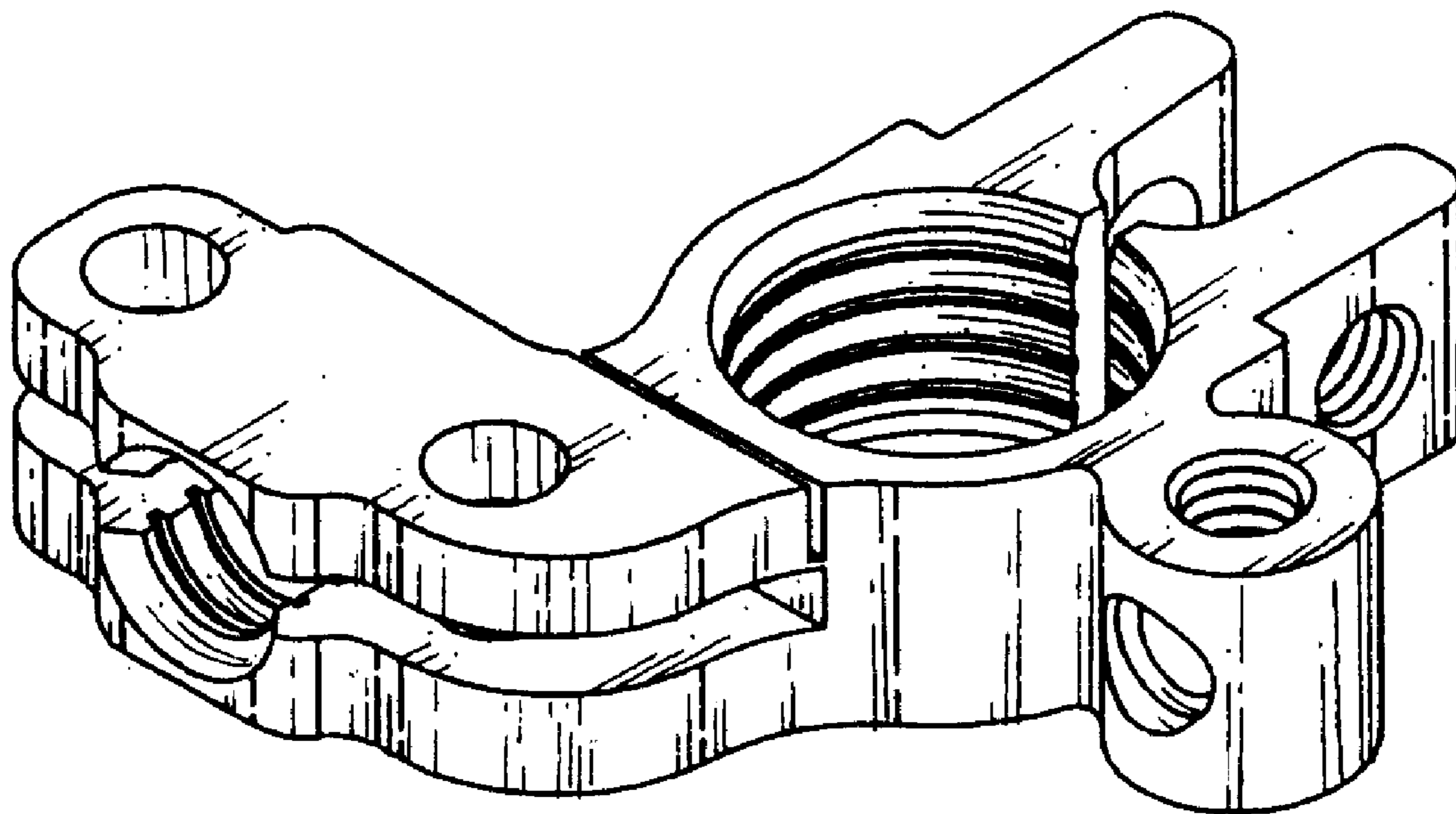
FIG. 1 is an upper perspective view of an electric coupler for  
batteries showing my new design;  
FIG. 2 is a front elevational view thereof;  
FIG. 3 is a rear elevational view thereof;  
FIG. 4 is a top plan view thereof;  
FIG. 5 is a bottom plan view thereof;  
FIG. 6 is a left side elevational view thereof;  
FIG. 7 is a right side elevational view thereof; and,  
FIG. 8 is a bottom perspective view thereof.

(56) **References Cited**

**U.S. PATENT DOCUMENTS**

3,407,383	A	*	10/1968	Haegert	.....	439/763
3,739,322	A	*	6/1973	Haegert	.....	439/764
5,599,210	A	*	2/1997	Green	.....	439/763
D449,272	S	*	10/2001	Liang	.....	D13/120

**1 Claim, 2 Drawing Sheets**



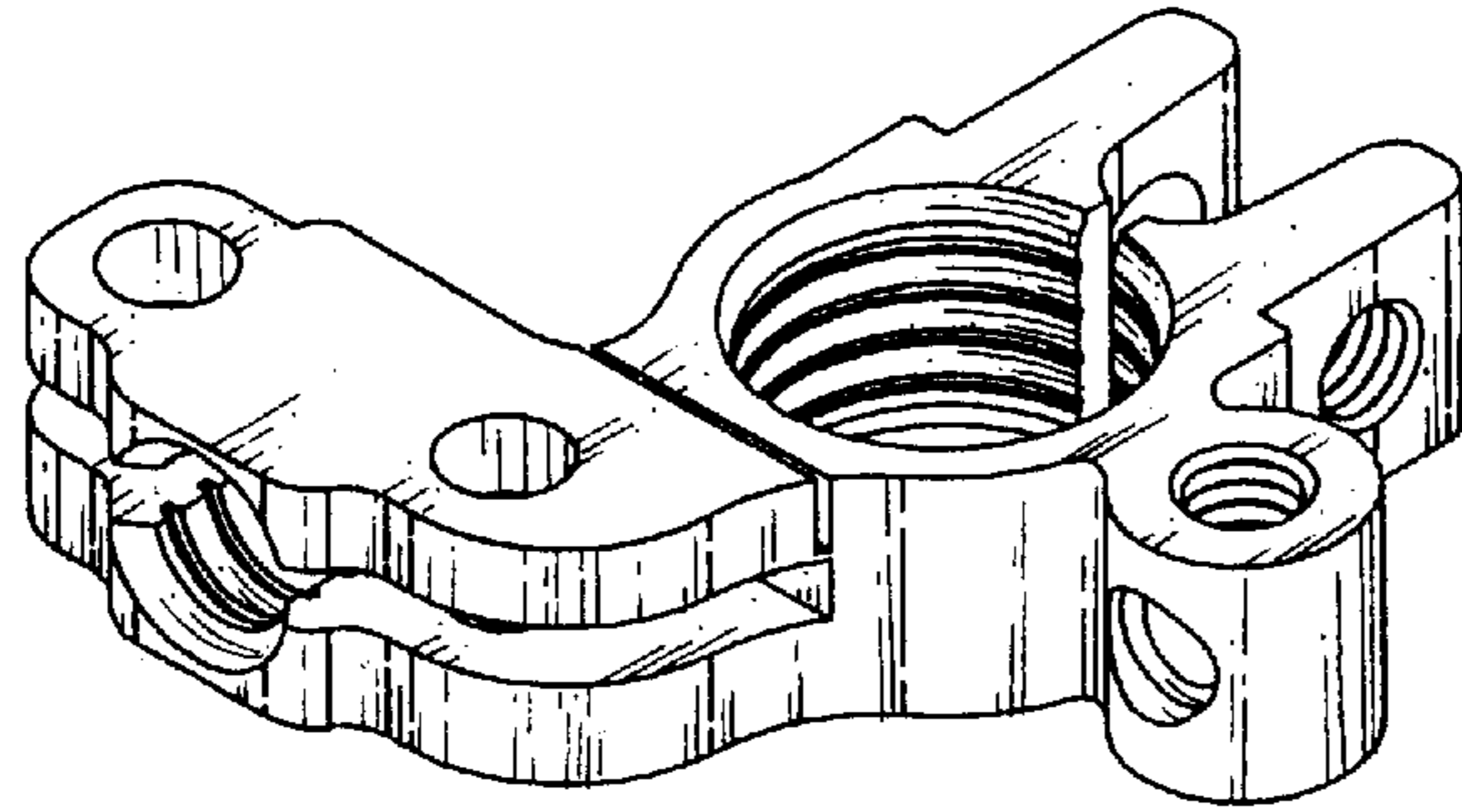


FIG. 1

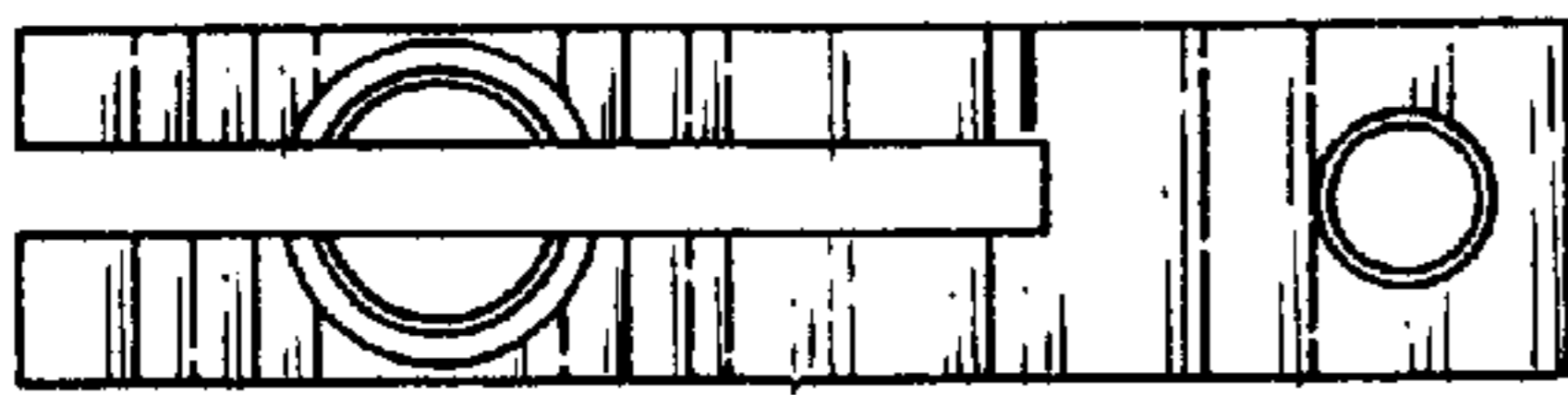


FIG. 2



FIG. 3

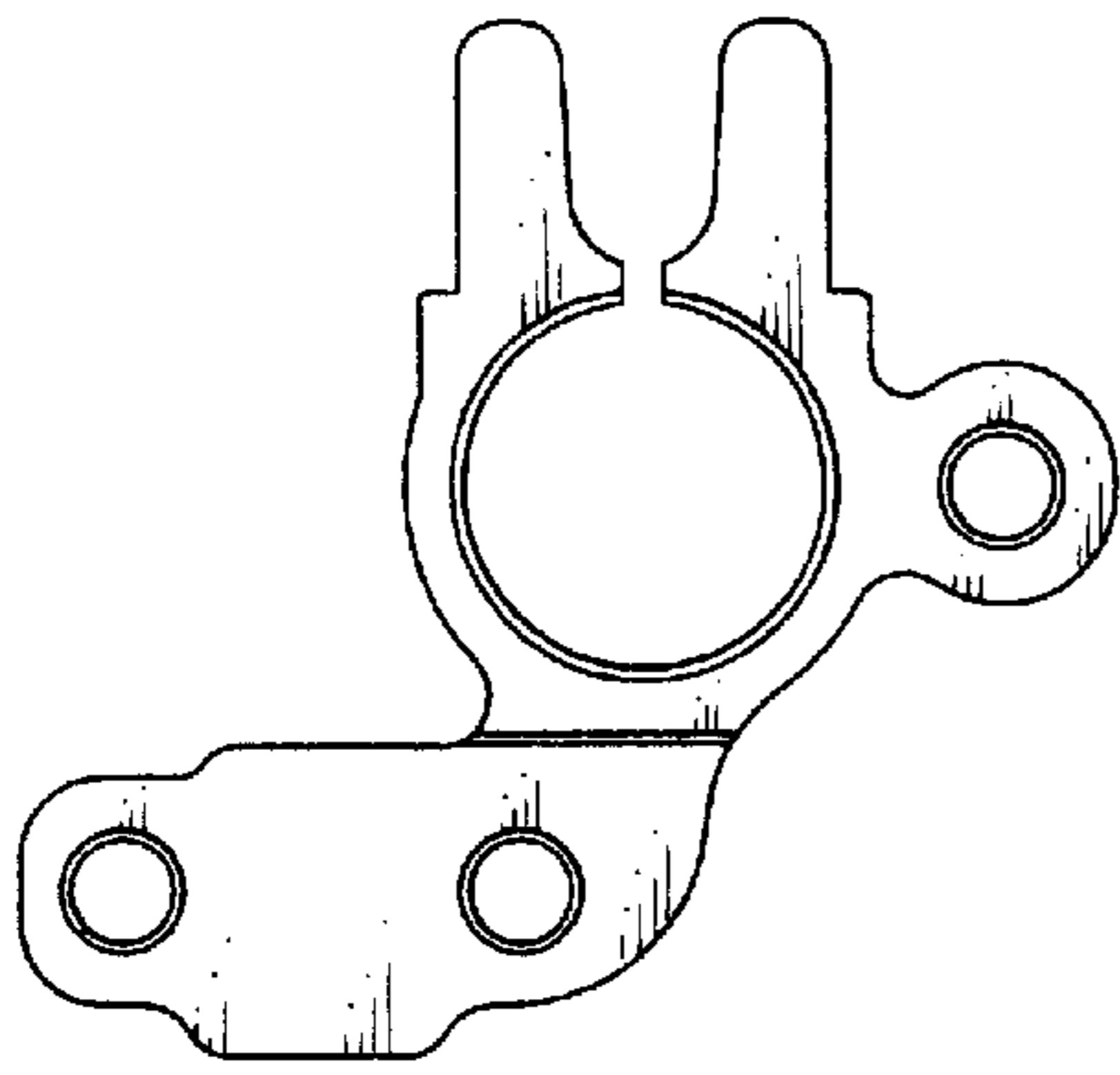


FIG. 4

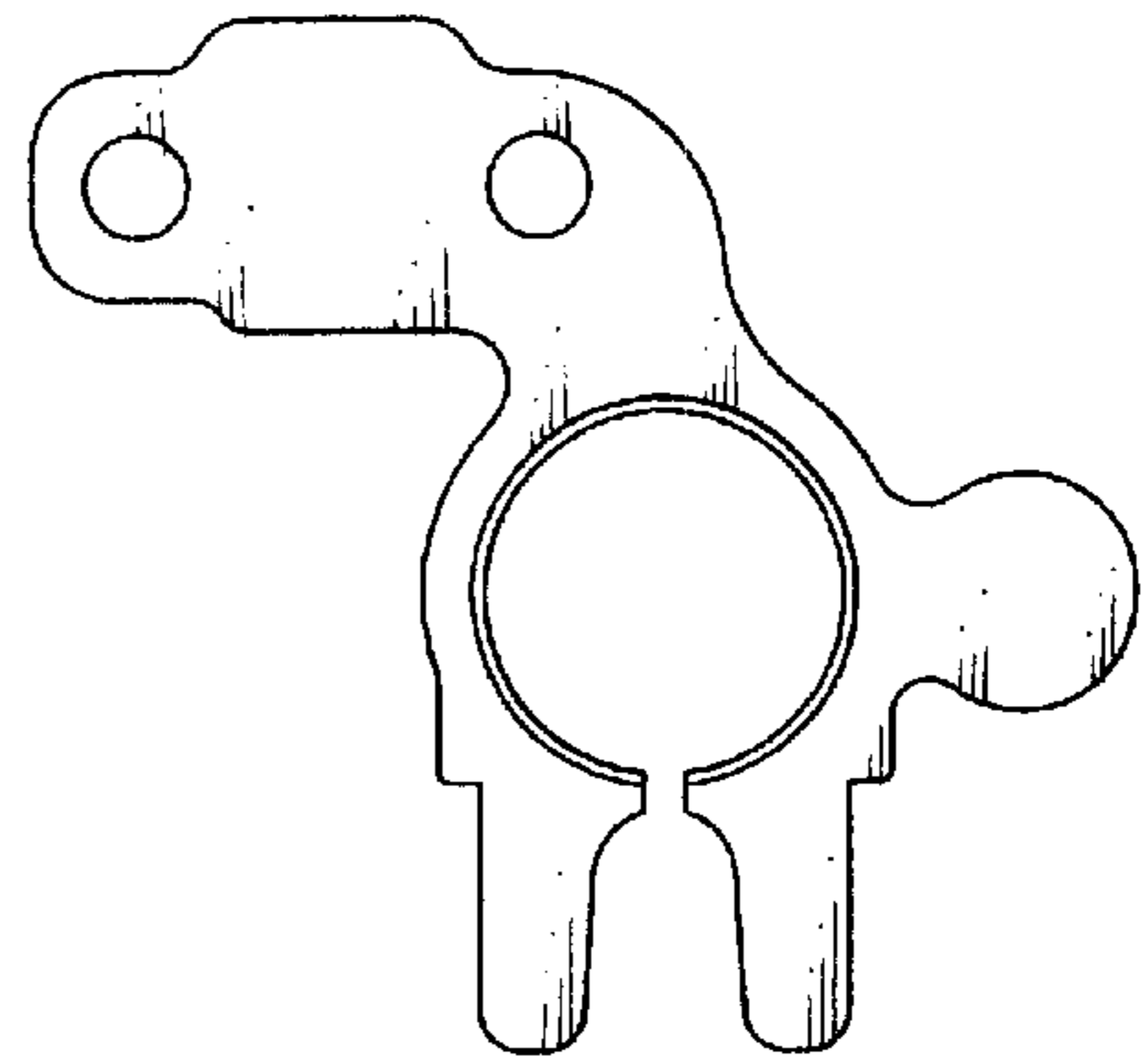


FIG. 5

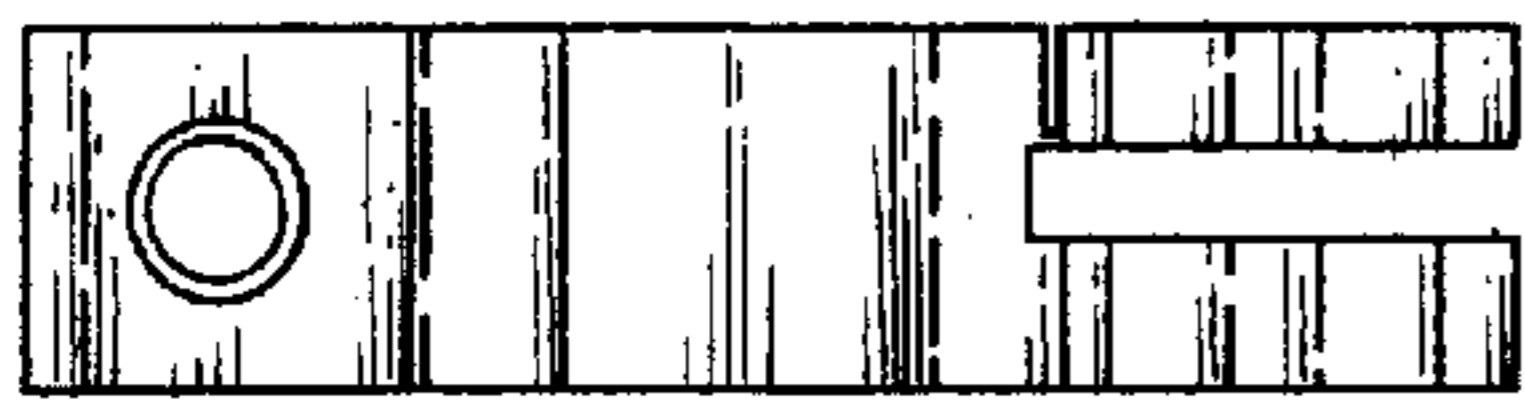


FIG. 6

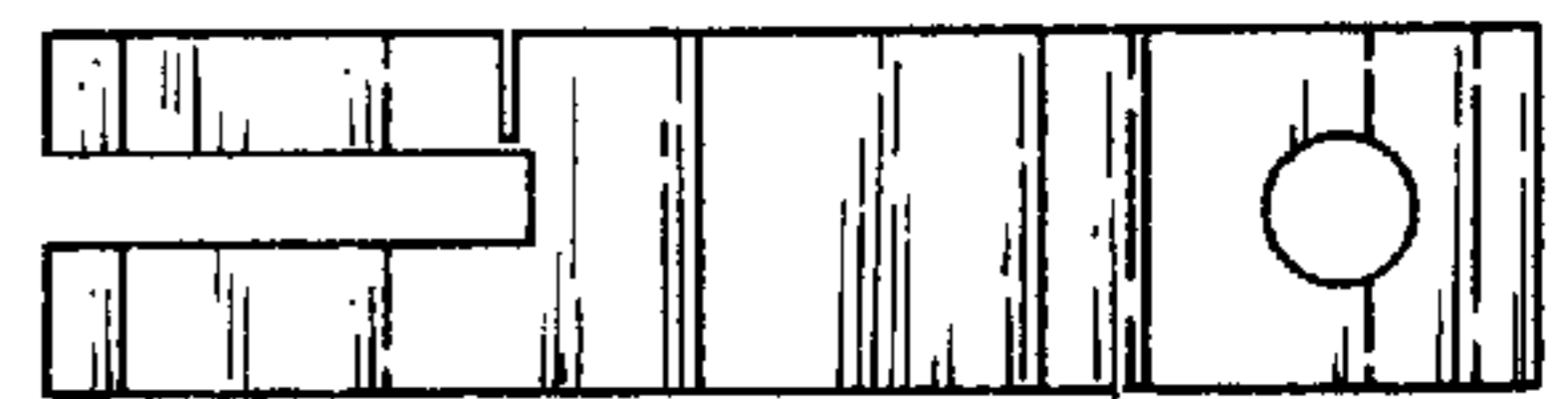


FIG. 7

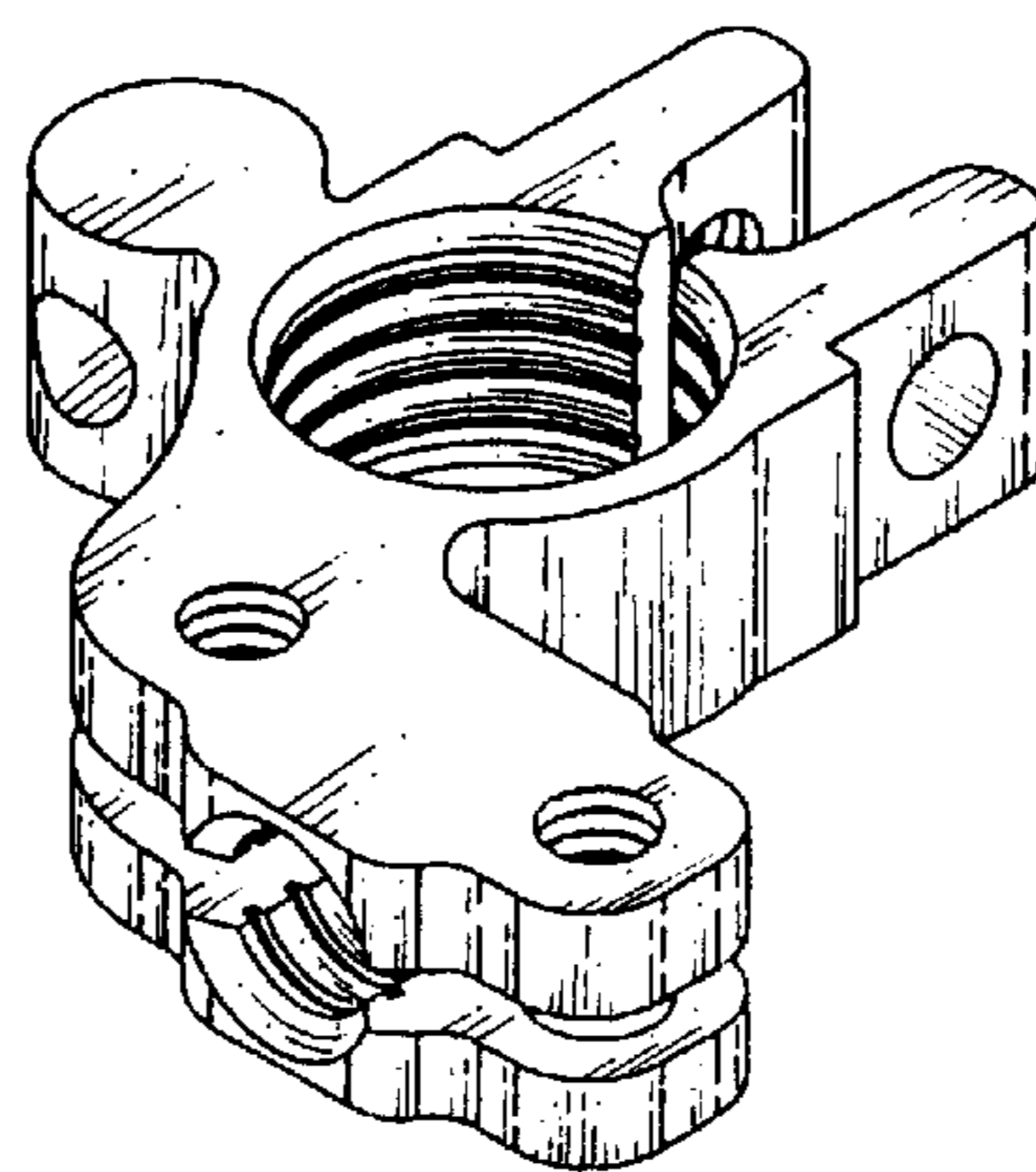


FIG. 8