



US00D485234S

(12) **United States Design Patent**
Katayama

(10) **Patent No.:** **US D485,234 S**

(45) **Date of Patent:** **** Jan. 13, 2004**

(54) **BATTERY CHARGER FOR DIGITAL CAMERA**

(75) **Inventor:** **Noriko Katayama, Tokyo (JP)**

(73) **Assignee:** **Fuji Photo Film Co., Ltd., Kanagawa (JP)**

(**) **Term:** **14 Years**

(21) **Appl. No.:** **29/183,177**

(22) **Filed:** **Jun. 9, 2003**

(30) **Foreign Application Priority Data**

Dec. 27, 2002 (JP) 2002-036478

(51) **LOC (7) Cl.** **13-02**

(52) **U.S. Cl.** **D13/108; D16/242; D16/237**

(58) **Field of Search** **D13/107, 108, D13/110, 118; D16/219, 242, 237; D14/253; 320/110-115**

(56) **References Cited**

U.S. PATENT DOCUMENTS

D289,996 S * 5/1987 Oord et al. D13/108
D337,599 S * 7/1993 Miyahara D16/237

D420,974 S * 2/2000 Minagawa D13/108
D434,431 S * 11/2000 Whitby et al. D16/242
D458,623 S * 6/2002 Backs et al. D16/242
D474,737 S 5/2003 Yoshida

* cited by examiner

Primary Examiner—Joel Sincavage

(74) *Attorney, Agent, or Firm*—Young & Thompson

(57) **CLAIM**

The ornamental design for a battery charger for digital camera, as shown.

DESCRIPTION

FIG. 1 is a top, front and side perspective view of a battery charger for digital cameras, showing my new design; FIG. 2 is a front elevational view thereof; FIG. 3 is a rear elevational view thereof; FIG. 4 is a top plan view thereof; FIG. 5 is a bottom plan view thereof; FIG. 6 is a side elevational view thereof from the left of FIG. 2; and, FIG. 7 is a side elevational view thereof from the right of FIG. 2.

1 Claim, 4 Drawing Sheets

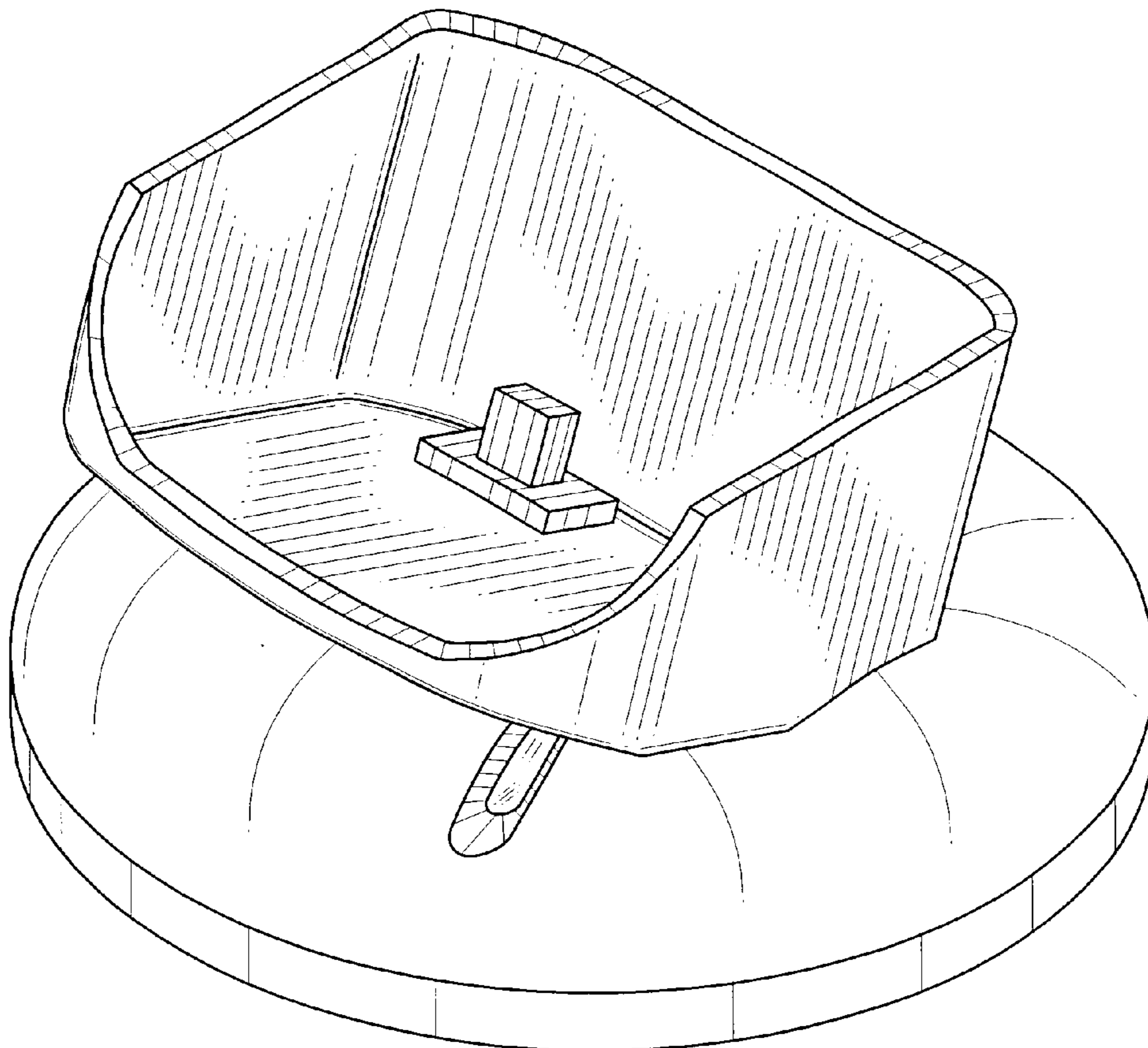


FIG. 1

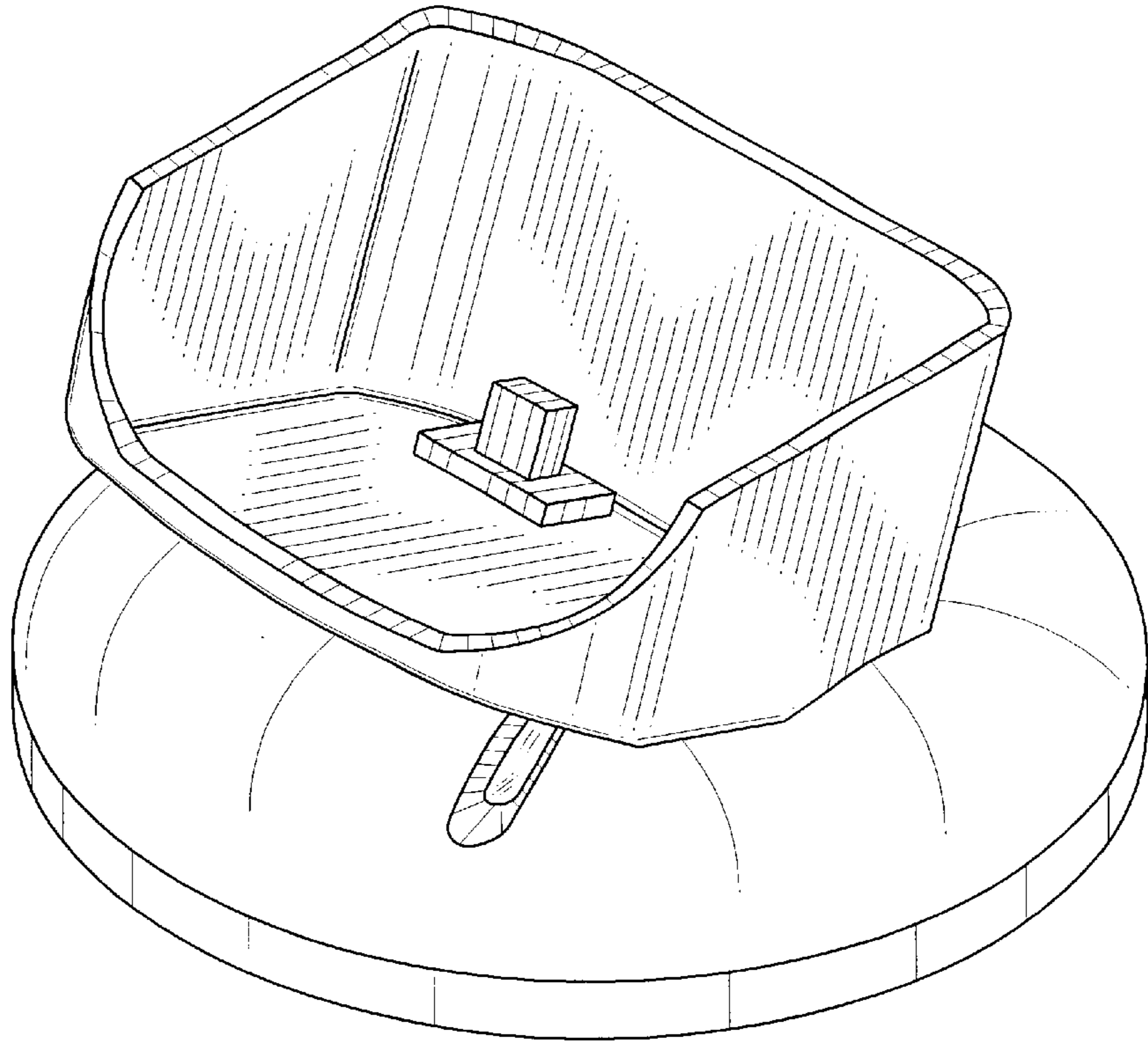


FIG. 2

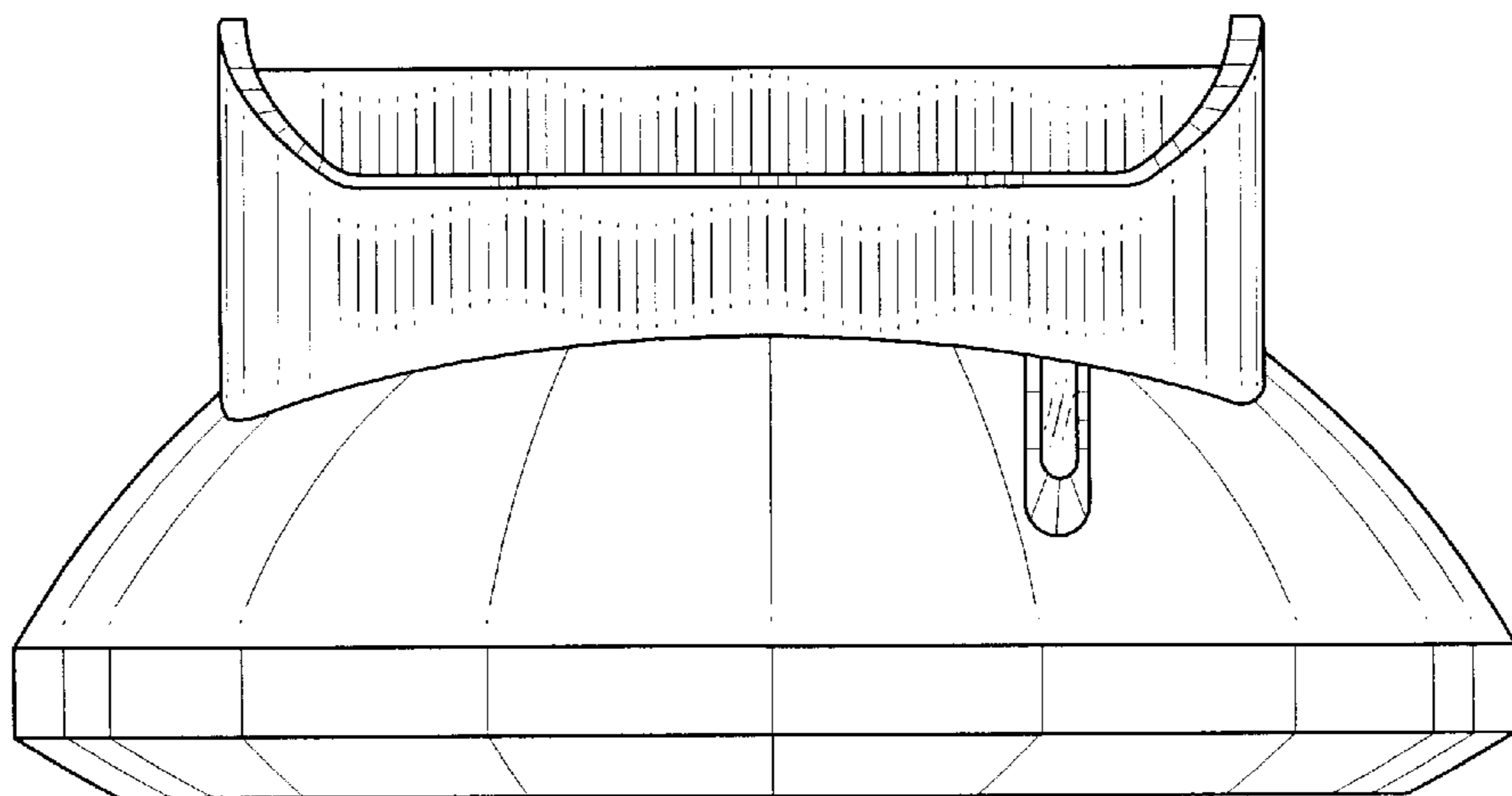


FIG.3

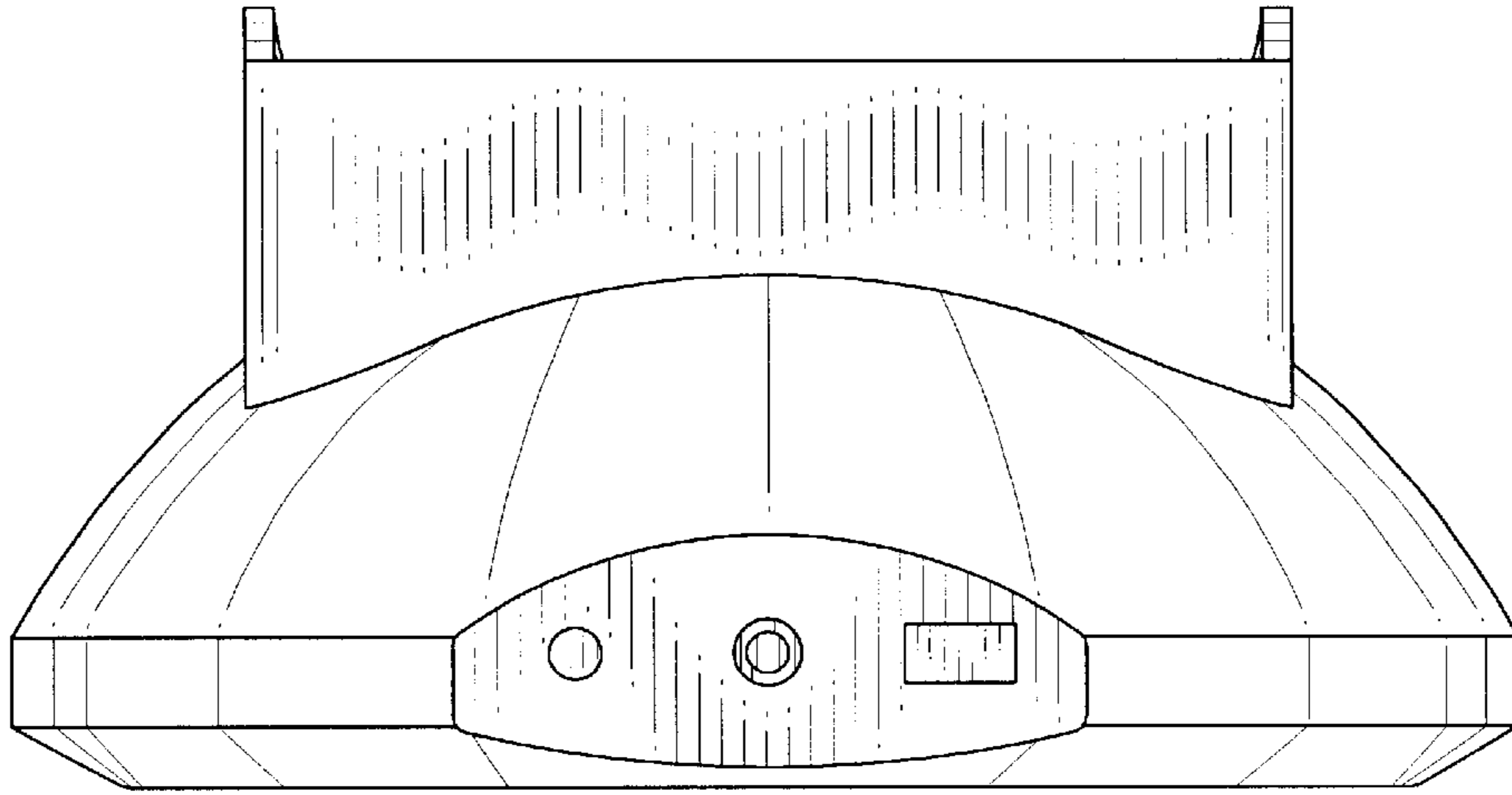


FIG.4

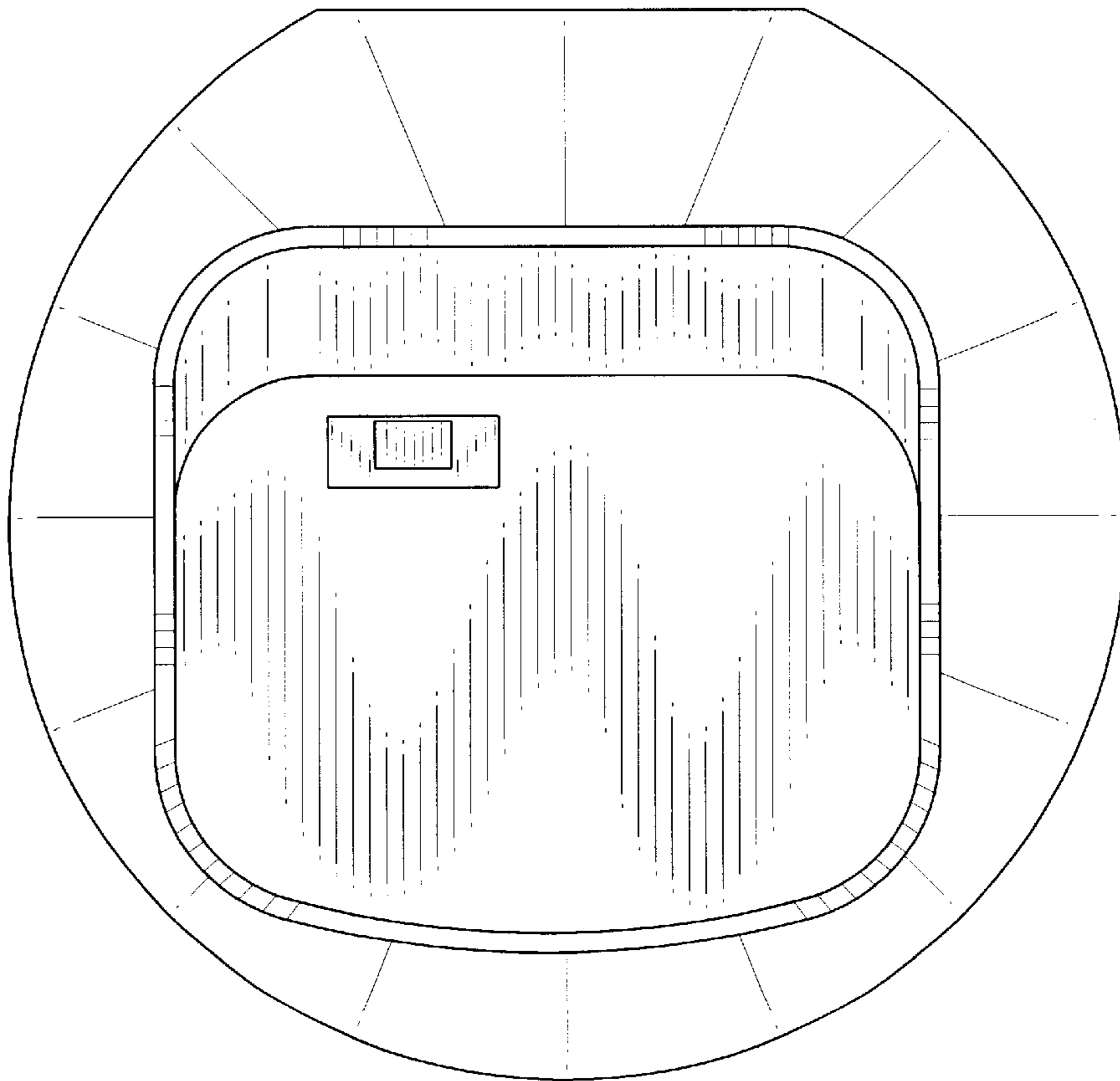


FIG. 5

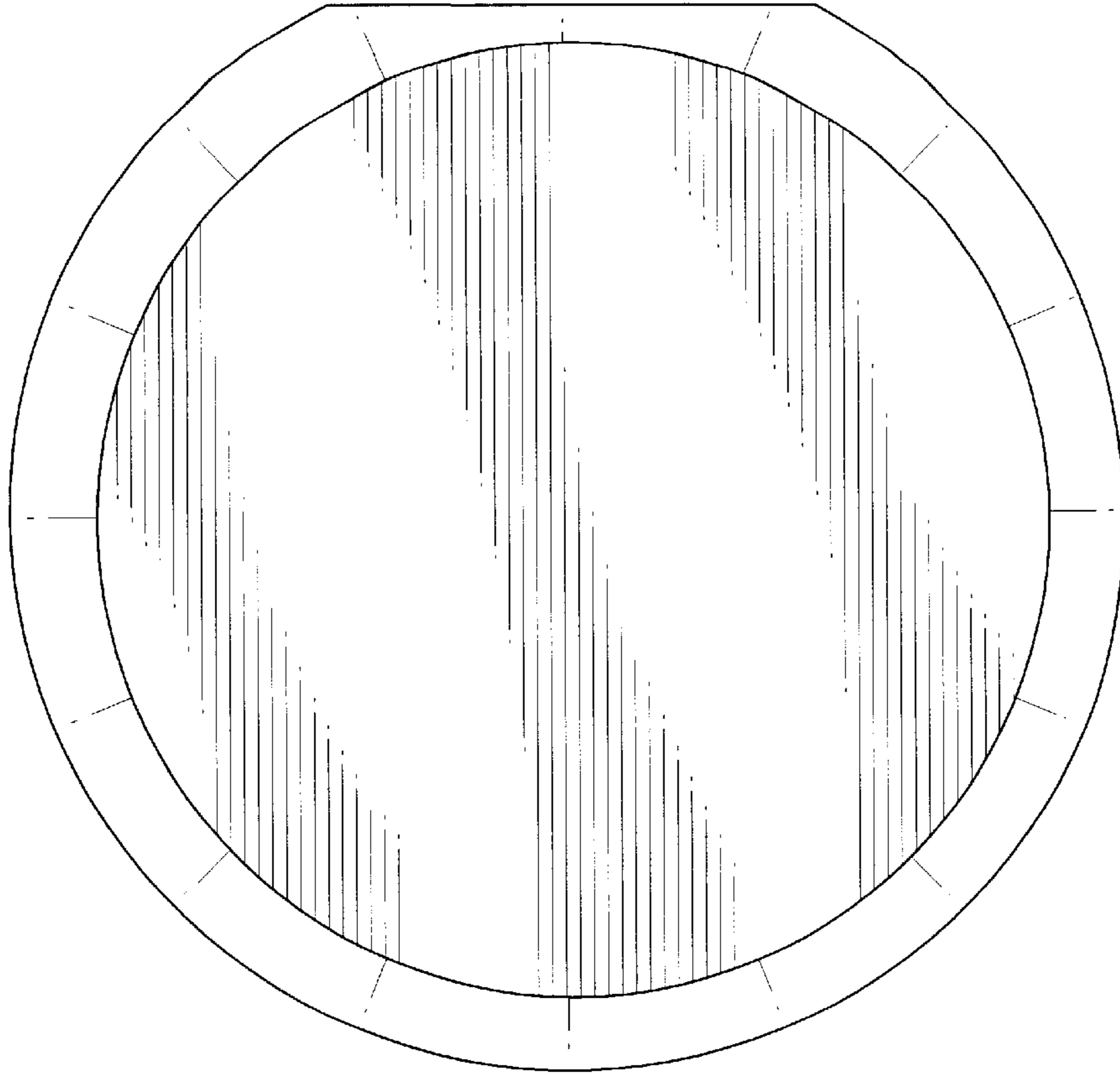


FIG. 6

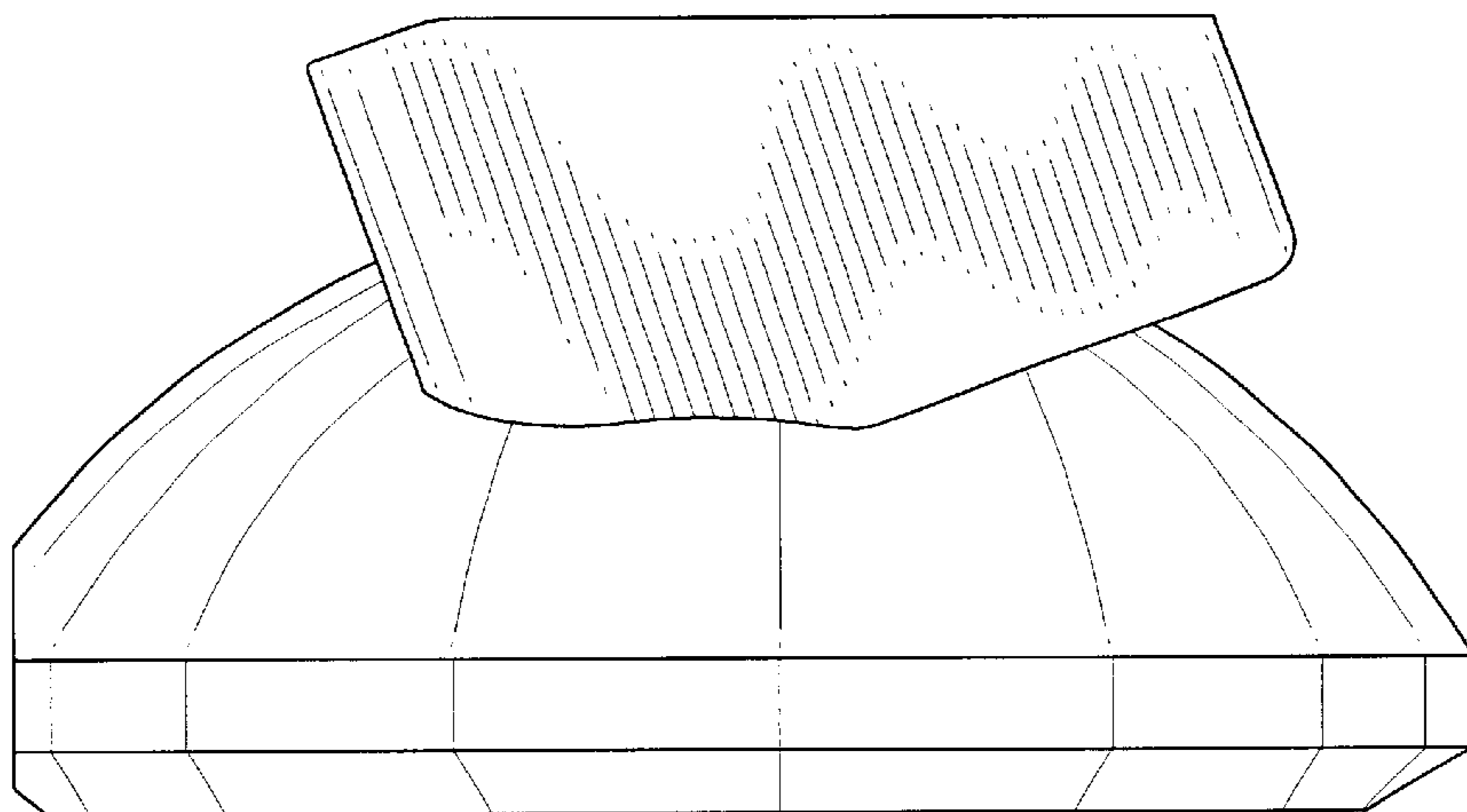


FIG. 7

