



US00D485227S

(12) **United States Design Patent**
Graham

(10) **Patent No.:** **US D485,227 S**

(45) **Date of Patent:** **** Jan. 13, 2004**

(54) **ADJUSTABLE VEHICLE CARGO RESTRAINT DEVICE**

(76) **Inventor:** **William E. Graham**, 3050 Rue D'Orleans, #428, San Diego, CA (US) 92110

(**) **Term:** **14 Years**

(21) **Appl. No.:** **29/179,478**

(22) **Filed:** **Apr. 10, 2003**

(51) **LOC (7) Cl.** **12-16**

(52) **U.S. Cl.** **D12/426**

(58) **Field of Search** D12/400, 412-415, D12/423-426; D3/304-305, 313; D9/432, 337-339, 341-348, 456; 200/542, 530-531, 536; 296/37.1-37.6, 39.1-39.2; 224/402-405, 539-543, 549, 925, 311

(56) **References Cited**

U.S. PATENT DOCUMENTS

D347,419 S	*	5/1994	Jackson	D12/425
D434,369 S	*	11/2000	Matthias	D12/426
D450,291 S	*	11/2001	Wang	D12/426
D466,074 S	*	11/2002	Hoy	D12/426

* cited by examiner

Primary Examiner—Stacia Cadmus
(74) *Attorney, Agent, or Firm*—Richard D. Clarke

(57) **CLAIM**

We claim the design for an adjustable vehicle cargo restraint device, as shown and described.

DESCRIPTION

FIG. 1 is a perspective view of the adjustable vehicle cargo restraint device, in place in the forward section of the open bed of a pick-up truck;

FIG. 2 is a side elevational view of the adjustable vehicle cargo restraint device;

FIG. 3 is a rear view of the adjustable vehicle cargo restraint device;

FIG. 4 is a bottom view of the adjustable vehicle cargo restraint device;

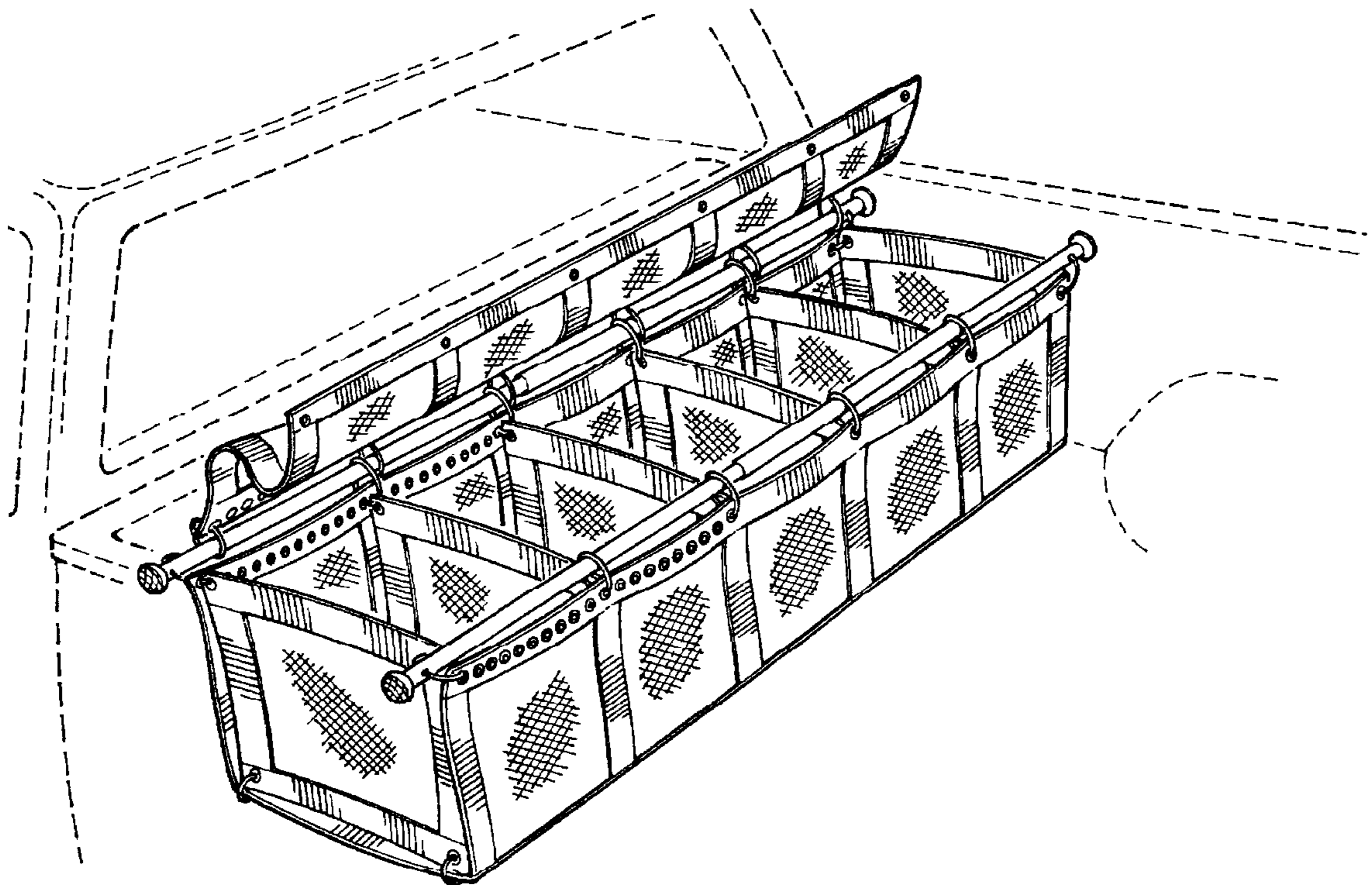
FIG. 5 is a top view of the adjustable vehicle cargo restraint device; and,

FIG. 6 is a front view of the adjustable vehicle cargo restraint device.

The broken line showing of a pick-up truck on FIG. 1 is for illustrative purposes only and forms no part of the claimed design.

The random criss-cross shading is understood to represent fabric material and is understood to be repeated uniformly throughout the area on which it is applied.

1 Claim, 3 Drawing Sheets



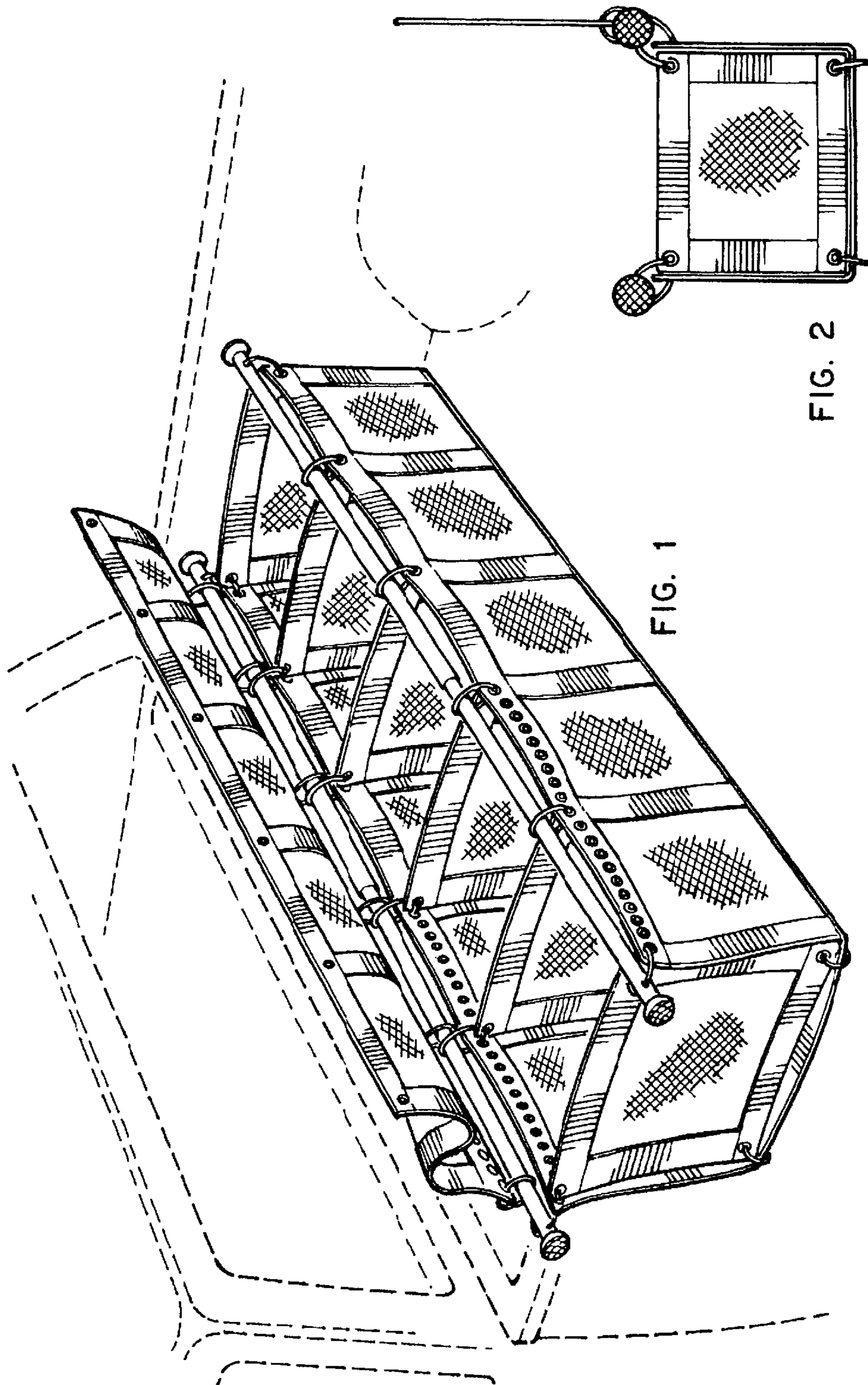


FIG. 1

FIG. 2

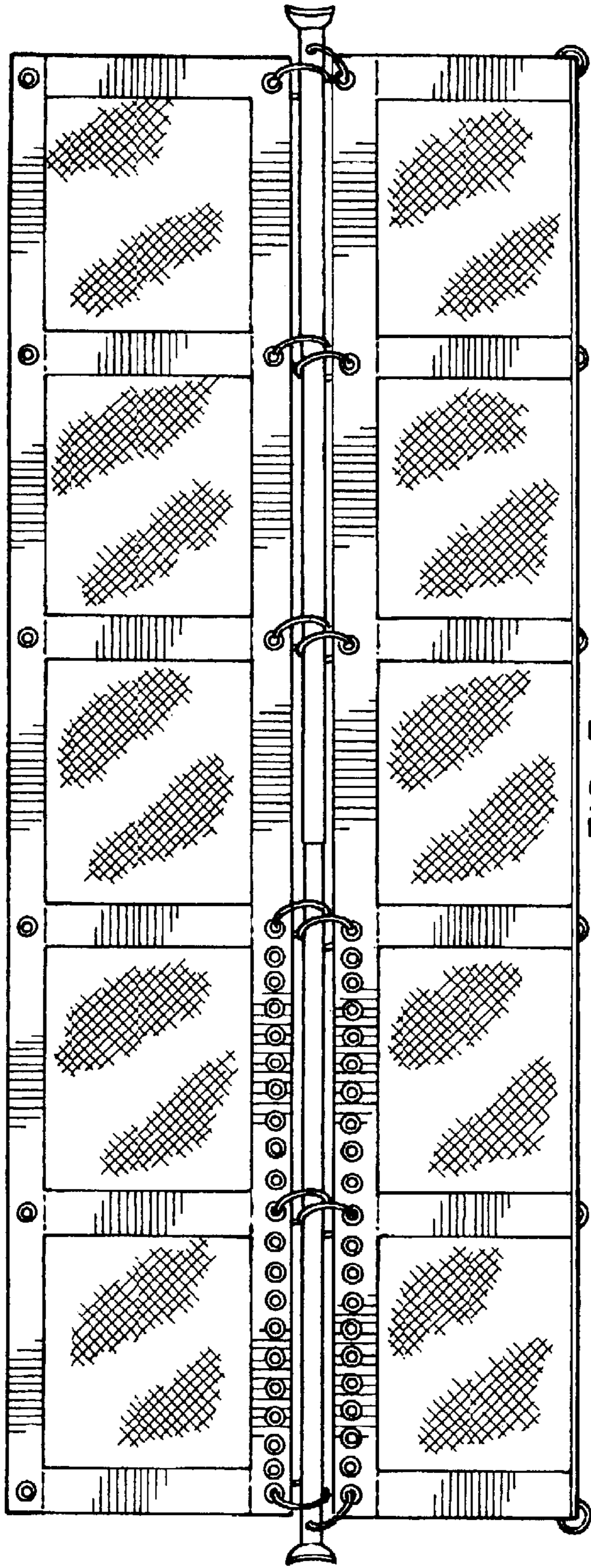


FIG. 3

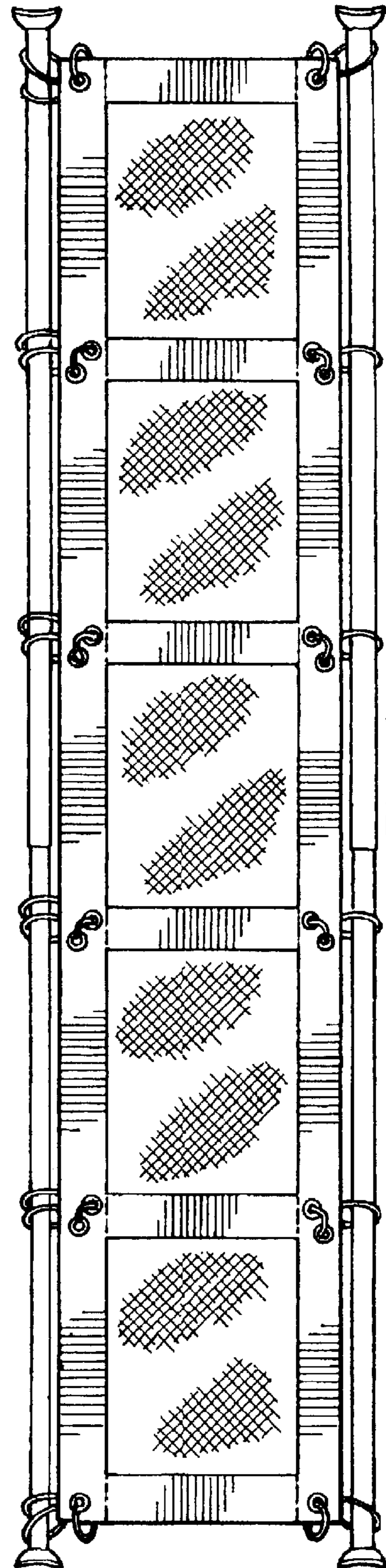


FIG. 4

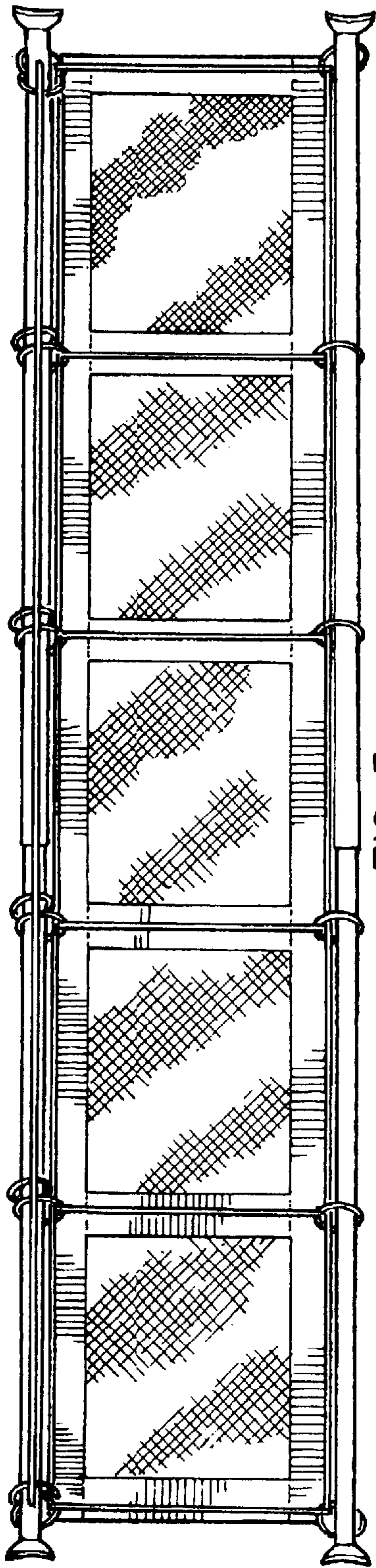


FIG. 5

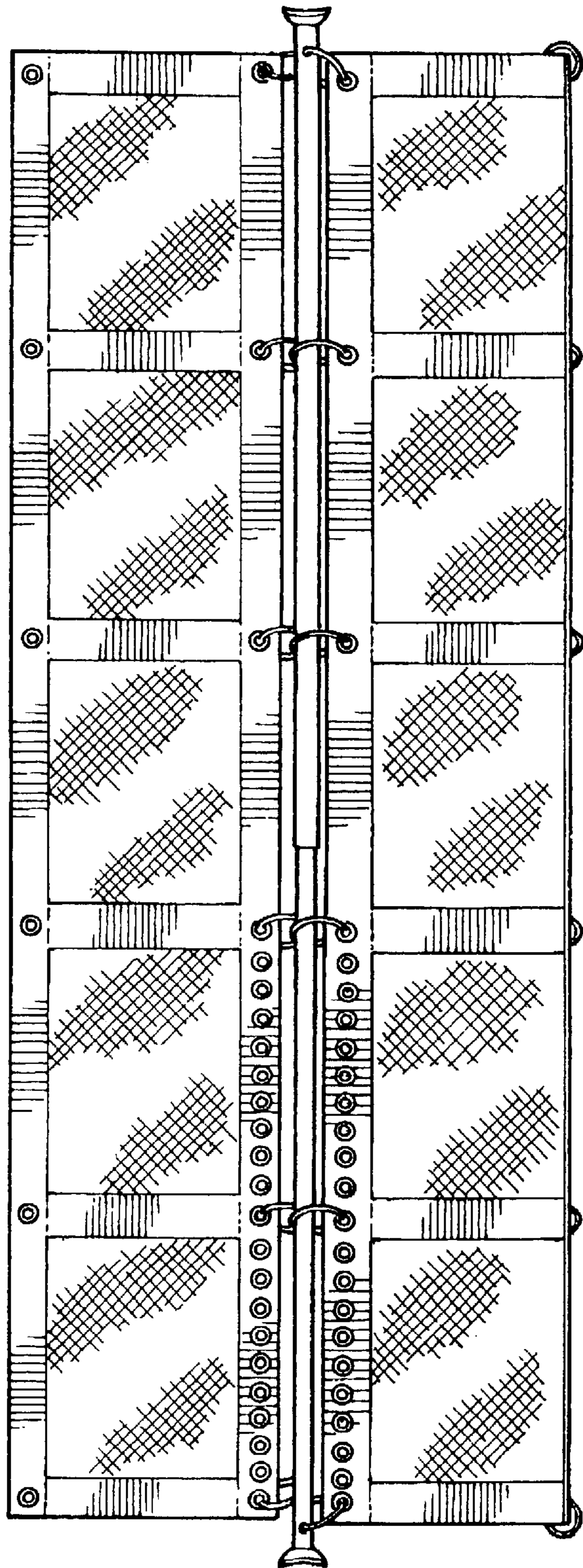


FIG. 6