



US00D485221S

(12) **United States Design Patent**  
**Song**

(10) **Patent No.:** **US D485,221 S**

(45) **Date of Patent:** **\*\* Jan. 13, 2004**

(54) **MOTORCYCLE FAIRING**

(75) Inventor: **Michael M. Song**, Maple Grove, MN (US)

(73) Assignee: **Polaris Industries Inc.**, Medina, MN (US)

(\*\*) Term: **14 Years**

(21) Appl. No.: **29/155,031**

(22) Filed: **Jan. 31, 2002**

(51) **LOC (7) Cl.** ..... **12-16**

(52) **U.S. Cl.** ..... **D12/182**

(58) **Field of Search** ..... D12/110, 182,  
D12/126, 181; 180/219; 296/77.1, 78.1,  
180.1, 206; 280/288.4, 304.3, 152.1-152.3,  
848, 852

(56) **References Cited**  
**PUBLICATIONS**

Custom Chrome ® 1998 catalog, Revolution Fairing product No. 55-006 on p. 15.58.\*  
Harley-Davidson ® 2000 Genuine Motor Accessories and Genuine Motor Parts catalog, quarter fairing on p. 156.\*

\* cited by examiner

*Primary Examiner*—Alan P. Douglas

*Assistant Examiner*—Linda Brooks

(74) *Attorney, Agent, or Firm*—Fredrikson & Byron, PA

(57) **CLAIM**

I claim the ornamental design for a motorcycle fairing, as shown and described.

**DESCRIPTION**

FIG. 1 is side view of a motorcycle fairing of the design shown as typically mounted on a motorcycle with the motorcycle shown in dotted lines that form no part of the claimed invention;

FIG. 2 is an enlarged perspective view of the fairing of the design of FIG. 1 as seen from the front and a side with the headlamp shown in dotted lines that form no part of the claimed invention;

FIG. 3 is a side elevation view of FIG. 2, the opposite side being a mirror image;

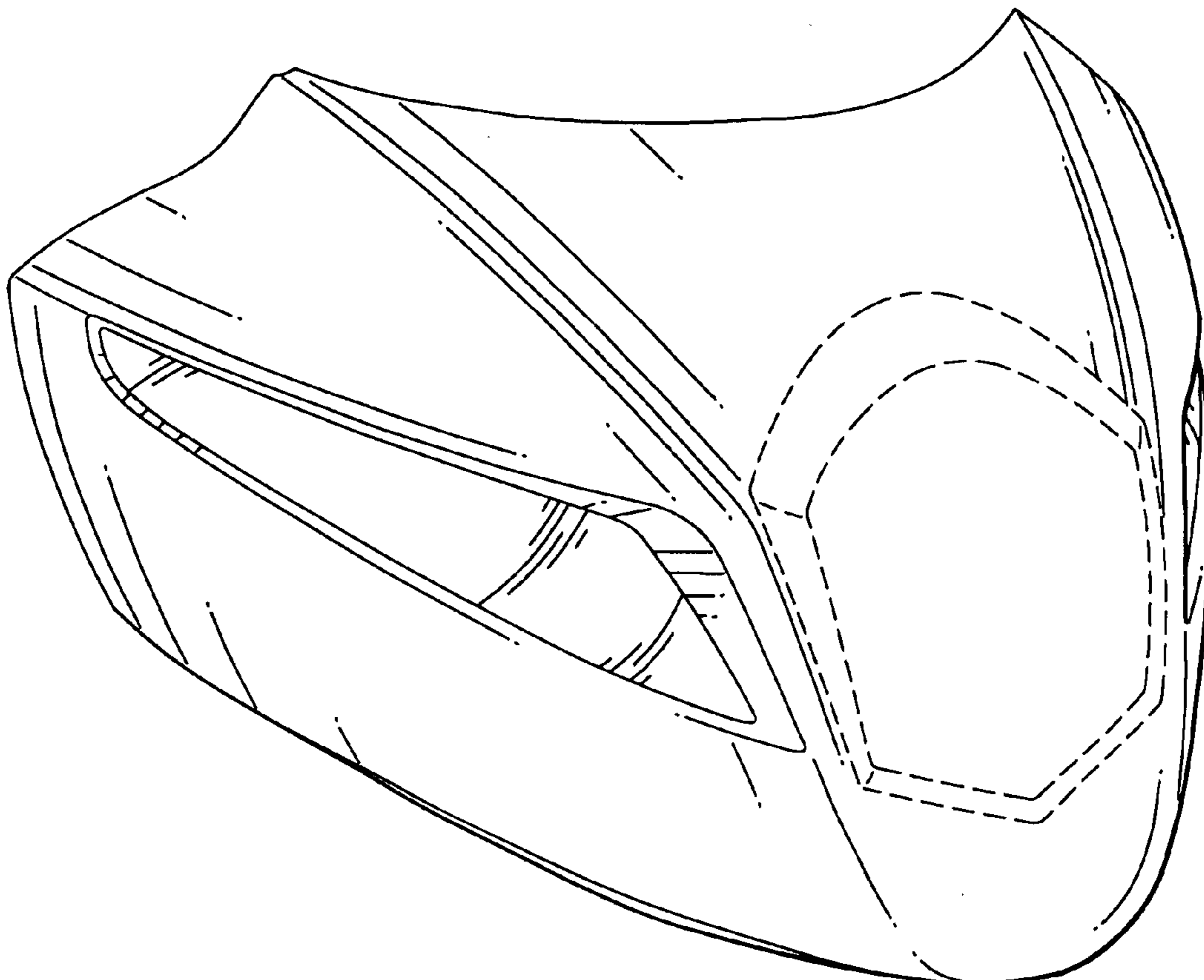
FIG. 4 is a front elevation view of FIG. 2;

FIG. 5 is a rear elevation view of FIG. 2 with the rear view shown in dotted lines that form no part of the claimed invention;

FIG. 6 is a top plan view of FIG. 2; and,

FIG. 7 is a bottom plan view of FIG. 2.

**1 Claim, 5 Drawing Sheets**



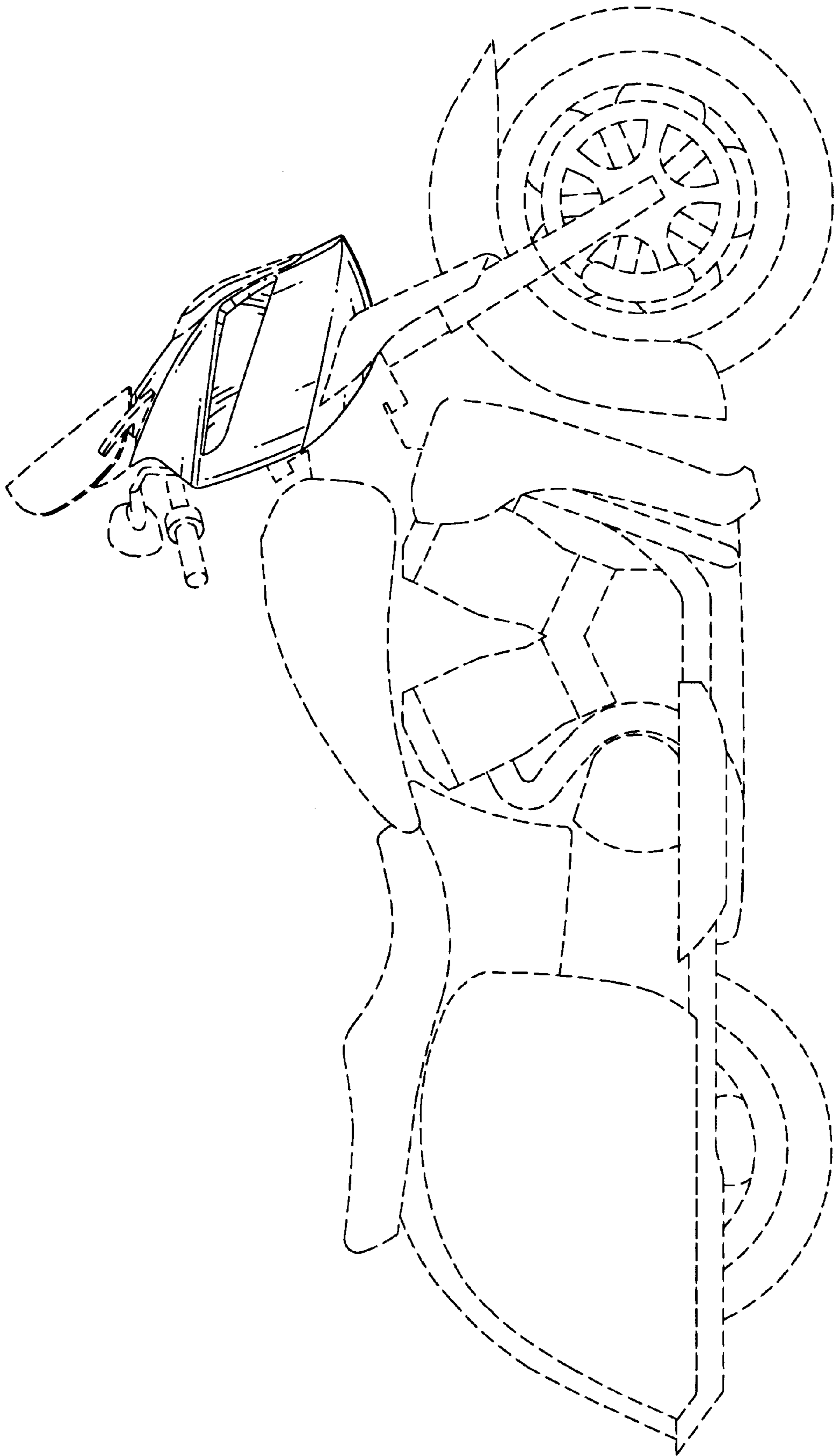


FIG. 1

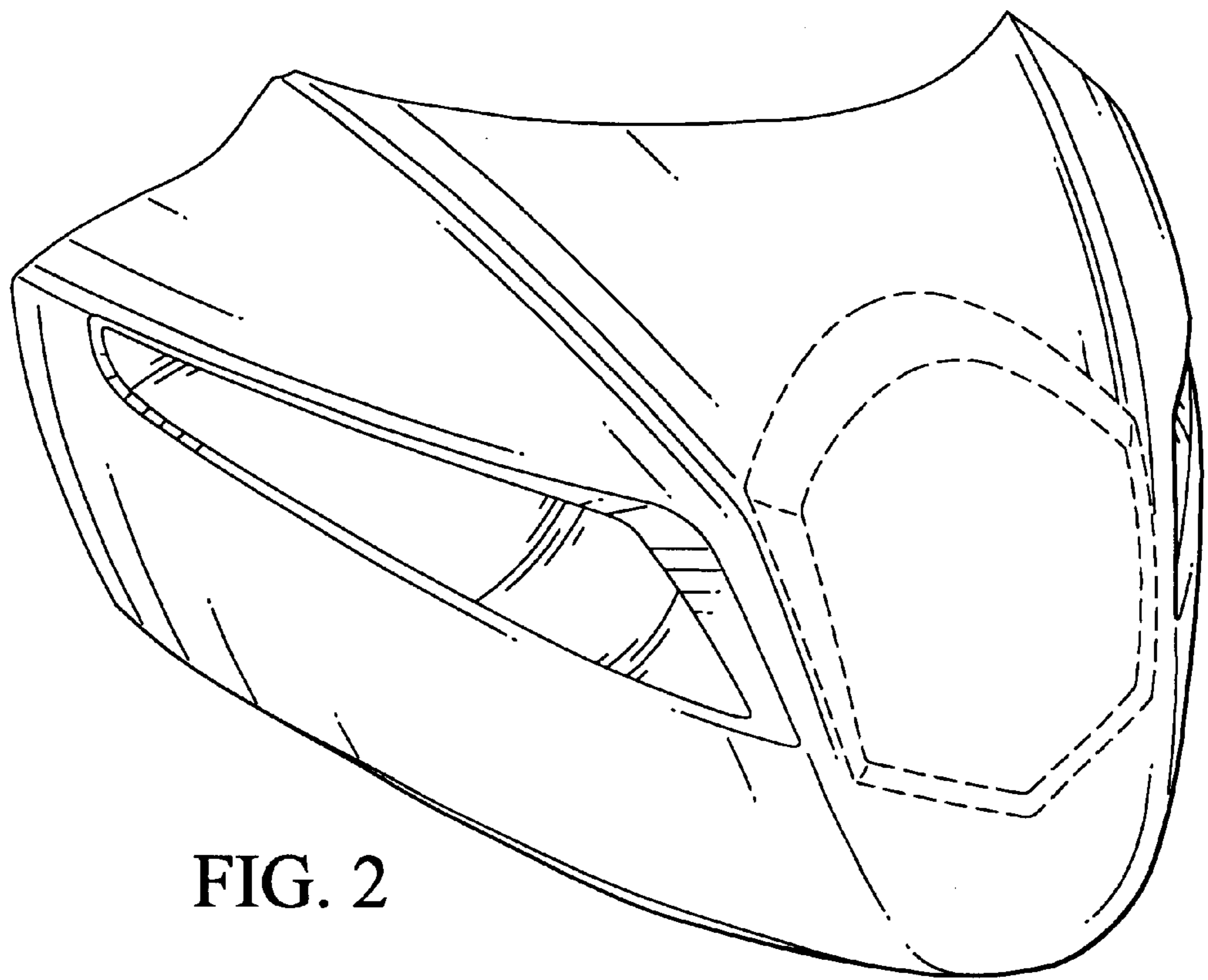


FIG. 2

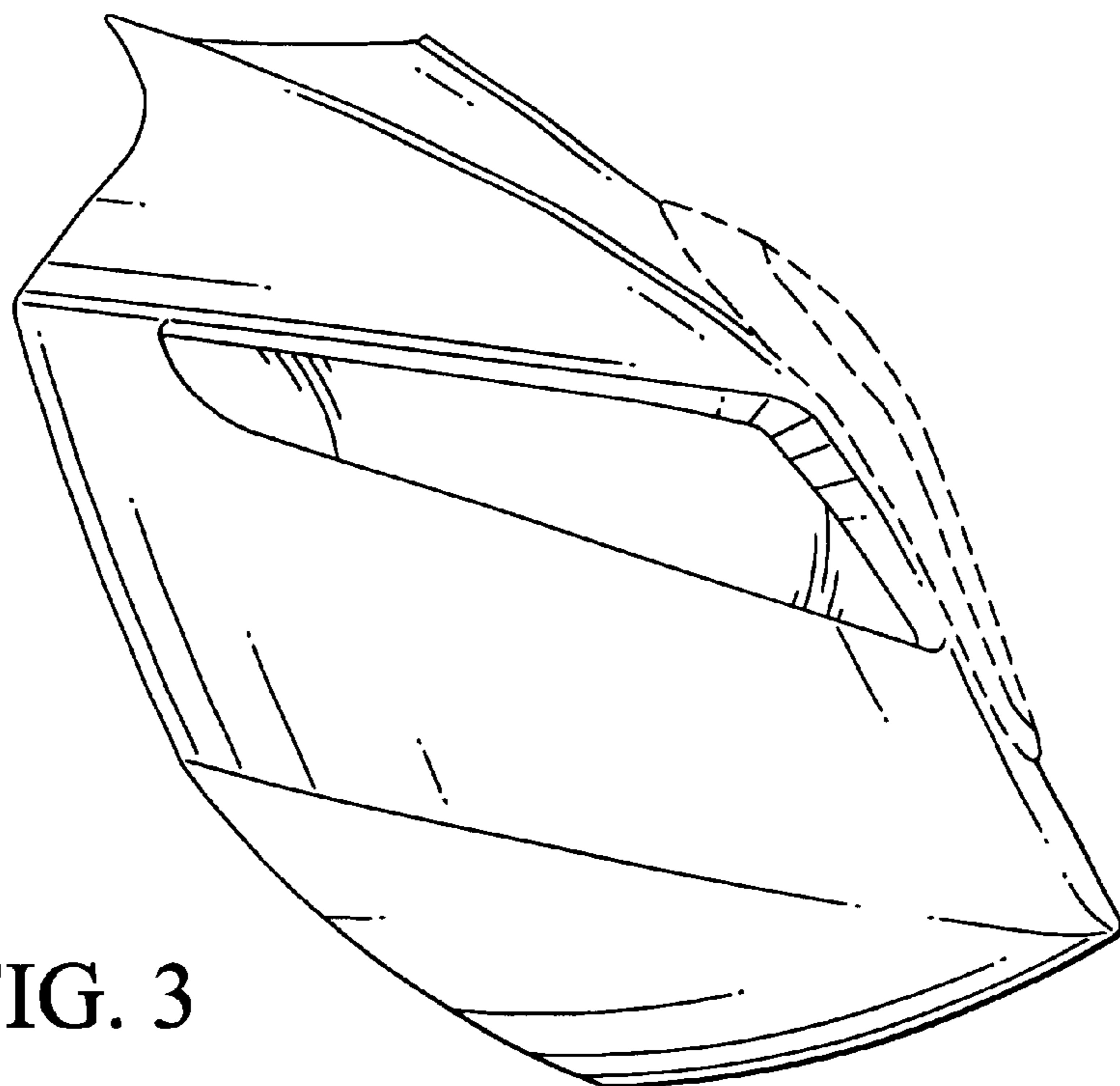


FIG. 3

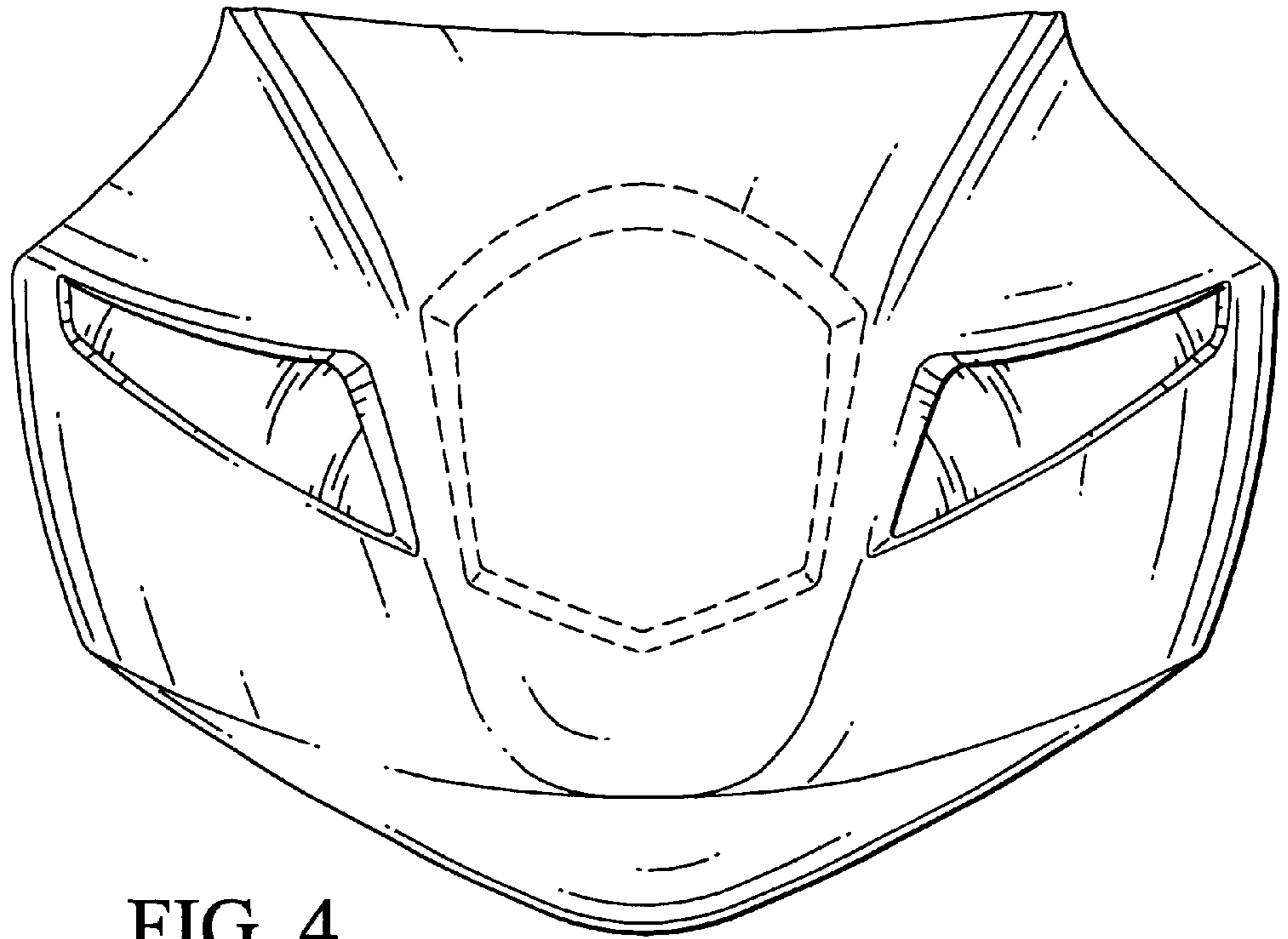


FIG. 4

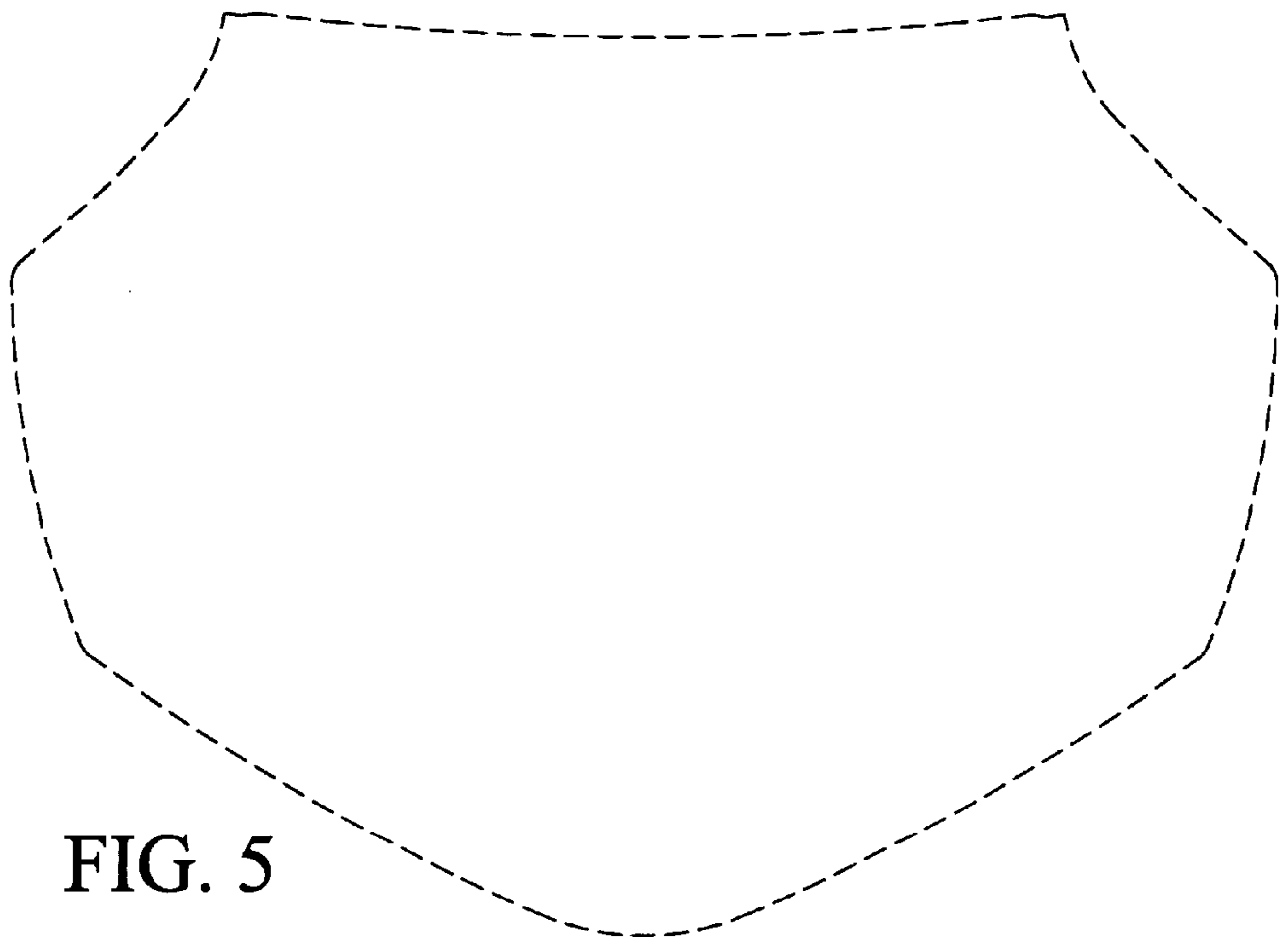


FIG. 5

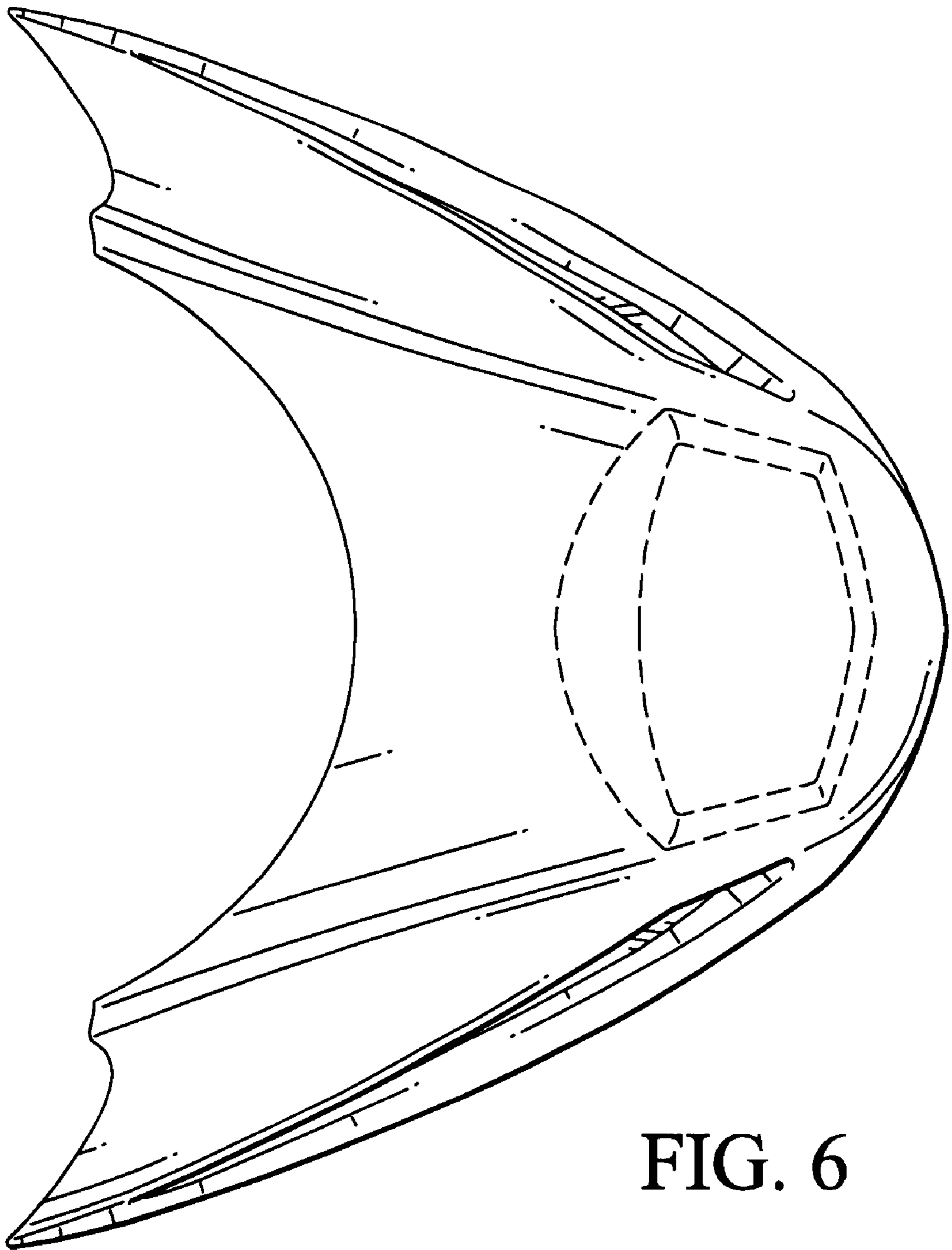


FIG. 6

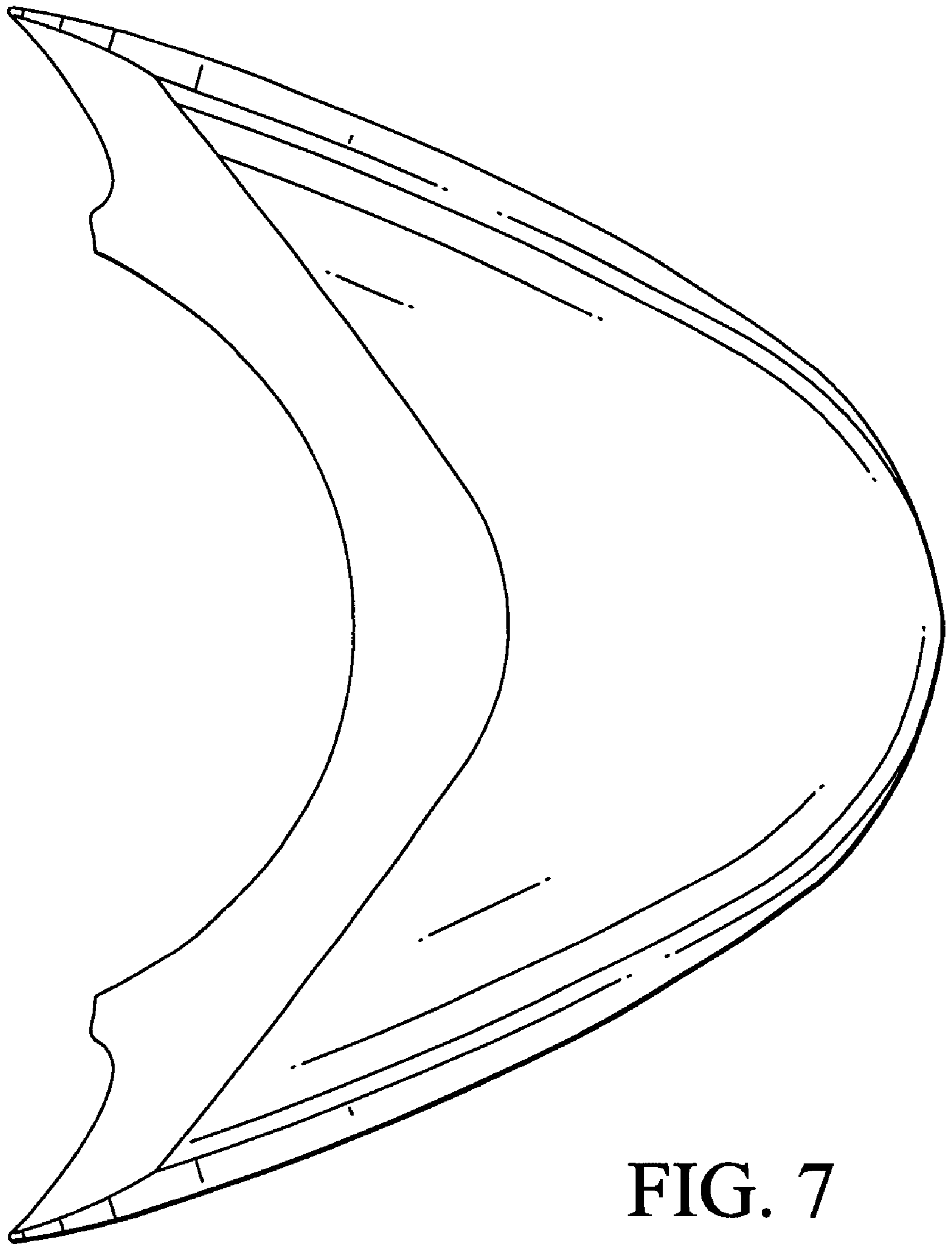


FIG. 7