



US00D485220S

(12) **United States Design Patent**  
**Pevytoe et al.**

(10) **Patent No.:** **US D485,220 S**

(45) **Date of Patent:** **\*\* Jan. 13, 2004**

(54) **INSECT DEFLECTOR FOR VEHICLE**

(76) Inventors: **Jeffrey Lee Pevytoe**, 2971 Bryson,  
Midlothian, TX (US) 76065; **Gonzalo Vela**, 223 Timothy Trail, Duncanville,  
TX (US) 75137

(\*\*) Term: **14 Years**

(21) Appl. No.: **29/165,004**

(22) Filed: **Aug. 5, 2002**

(51) **LOC (7) Cl.** ..... **12-16**

(52) **U.S. Cl.** ..... **D12/181**

(58) **Field of Search** ..... D12/181, 400,  
D12/190, 197; 296/91, 95.1, 97.9, 180.1,  
180.2, 180.4; 40/413; 108/99-101; 211/187;  
239/498-500; 180/69.25, 68.6, 69.23, 69.21

(56) **References Cited**

**U.S. PATENT DOCUMENTS**

- D167,676 S \* 9/1952 Chicorel ..... D12/181
- D171,320 S \* 1/1954 Berry ..... D12/181
- D201,496 S \* 6/1965 Stef ..... D12/181
- 3,596,975 A \* 8/1971 Stephen ..... 296/91
- 4,142,758 A \* 3/1979 Scaife ..... 296/91
- D284,564 S \* 7/1986 Kopecky ..... D12/182
- 4,627,657 A \* 12/1986 Daniels et al. .... 296/91
- 4,842,319 A \* 6/1989 Ziegler et al. .... 296/91
- 5,280,386 A \* 1/1994 Johnson ..... 296/91 X
- 5,308,134 A \* 5/1994 Stanesic ..... 296/91
- 5,348,363 A \* 9/1994 Fink ..... 296/91
- D353,794 S \* 12/1994 Stanesic ..... D12/181

- 5,403,059 A \* 4/1995 Turner ..... 296/91
- 5,562,323 A \* 10/1996 Wildermuth ..... 296/91
- D408,771 S \* 4/1999 Johnston ..... D12/181
- 6,547,305 B1 \* 4/2003 Ellis ..... 296/91

\* cited by examiner

*Primary Examiner*—Stacia Cadmus

(74) *Attorney, Agent, or Firm*—Crutsinger & Booth

(57) **CLAIM**

The ornamental design for an insect deflector for vehicle, as shown and described.

**DESCRIPTION**

FIG. 1 is a view in perspective of the insect deflector for vehicle of the present invention shown mounted on the engine compartment cowl of a vehicle;

FIG. 2 is an enlarged front elevation view of the insect deflector for vehicle of the present invention;

FIG. 3 is an enlarged top plan view of the insect deflector for vehicle of the present invention;

FIG. 4 is an enlarged right side elevation view of the insect deflector for vehicle of the present invention;

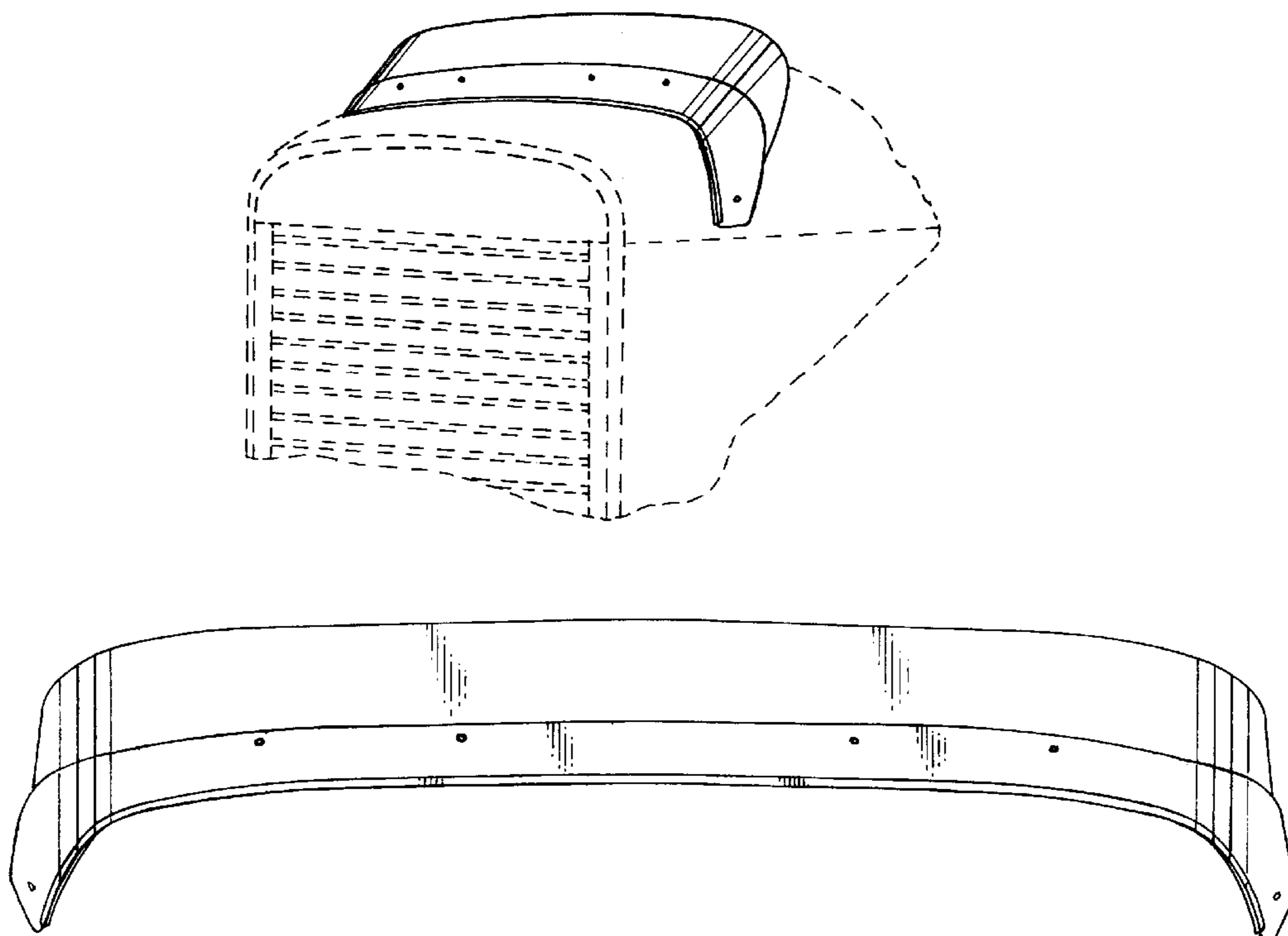
FIG. 5 is an enlarged left side elevation view of the insect deflector for vehicle of the present invention;

FIG. 6 is an enlarged rear elevation view of the insect deflector for vehicle of the present invention; and,

FIG. 7 is an enlarged bottom view from beneath the insect deflector for vehicle of the present invention.

The broken line showing of environment is for illustrative purposes only and forms no part of the claimed design.

**1 Claim, 2 Drawing Sheets**



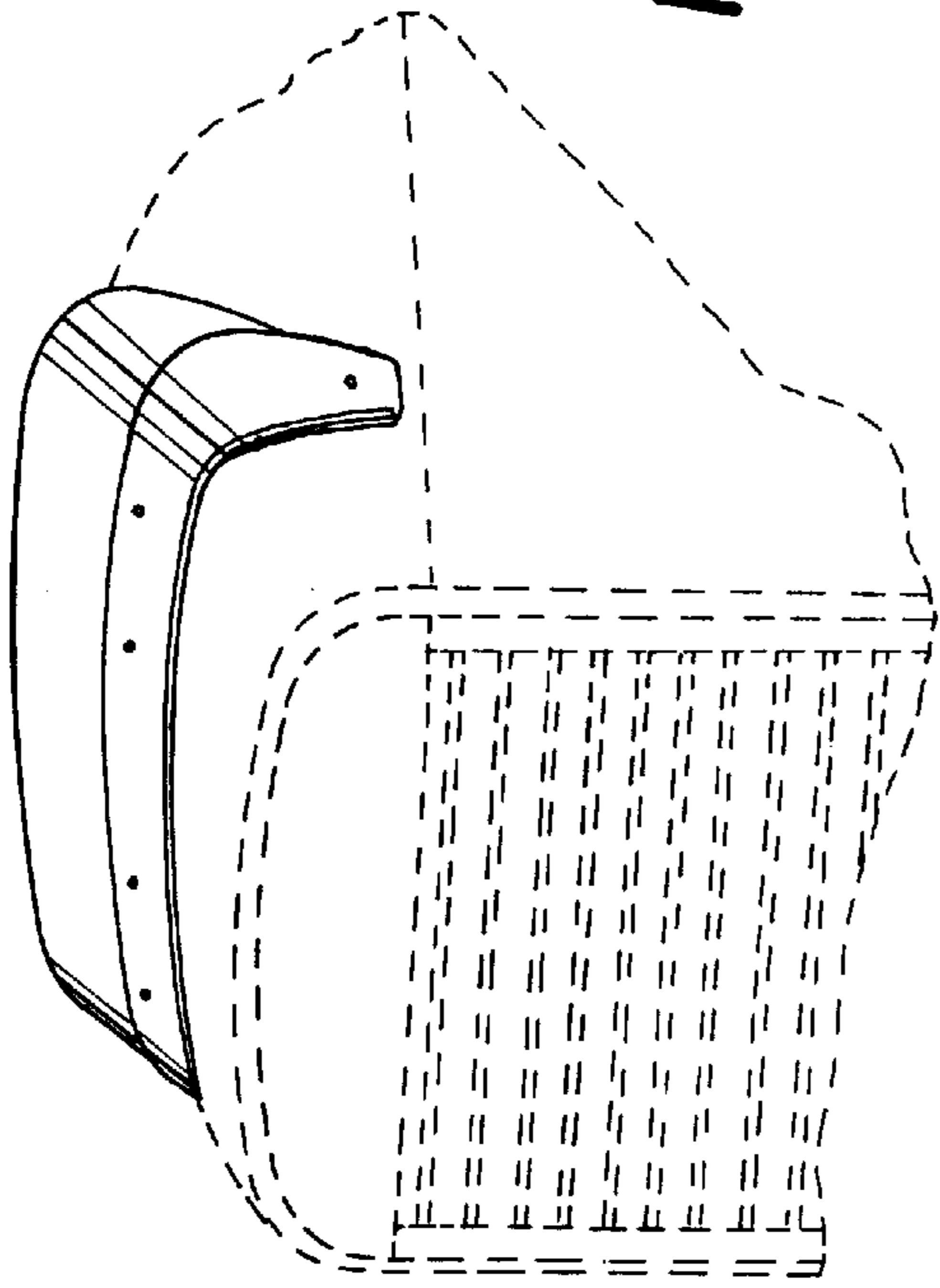


Fig. 1

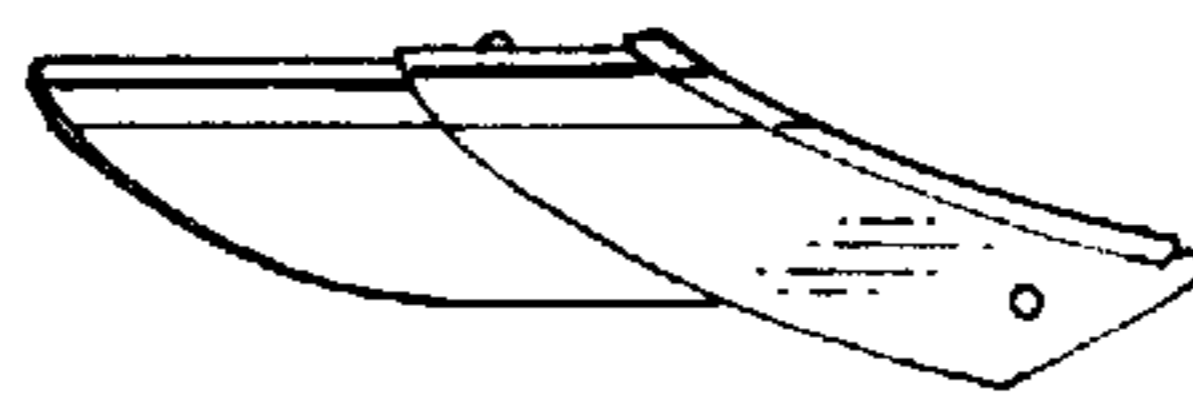


Fig. 4

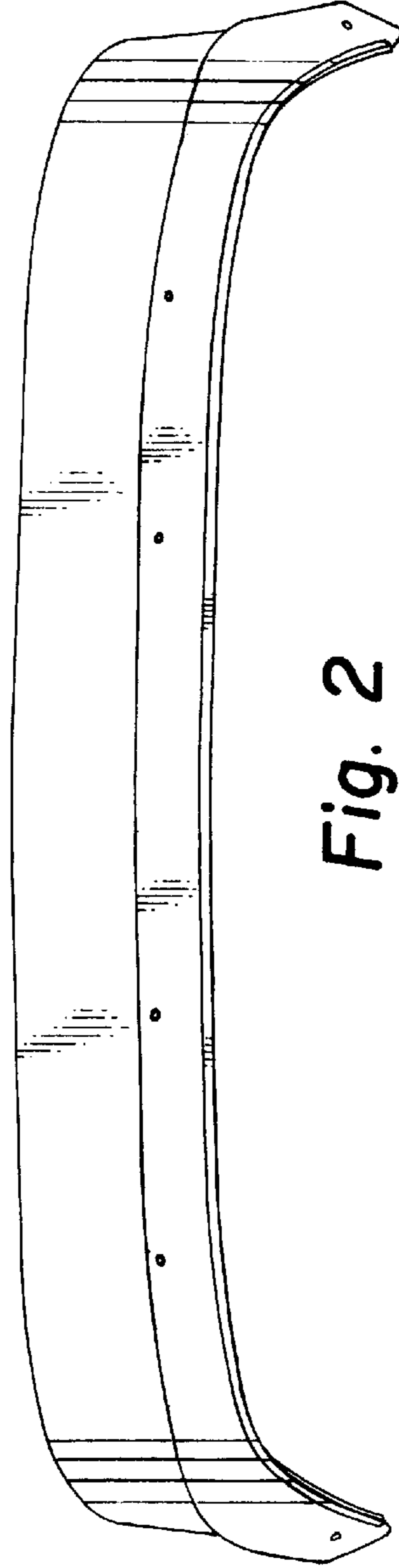


Fig. 2

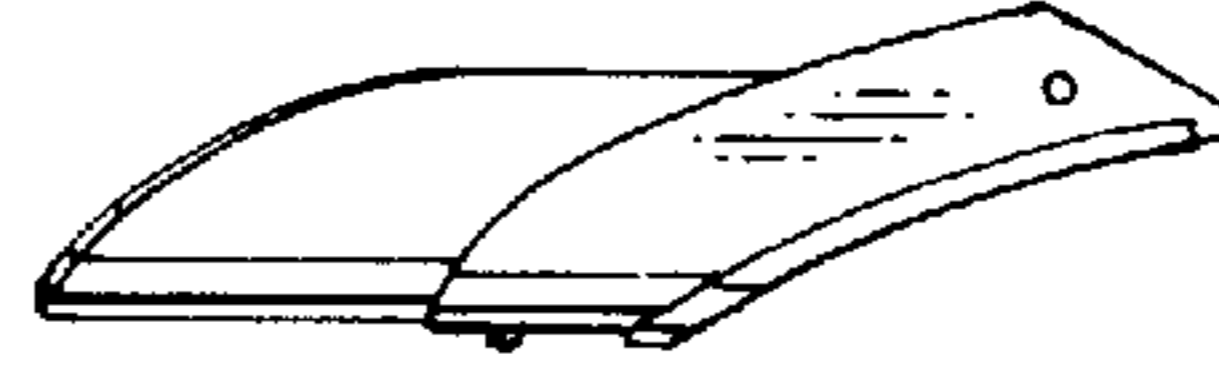


Fig. 5



Fig. 3

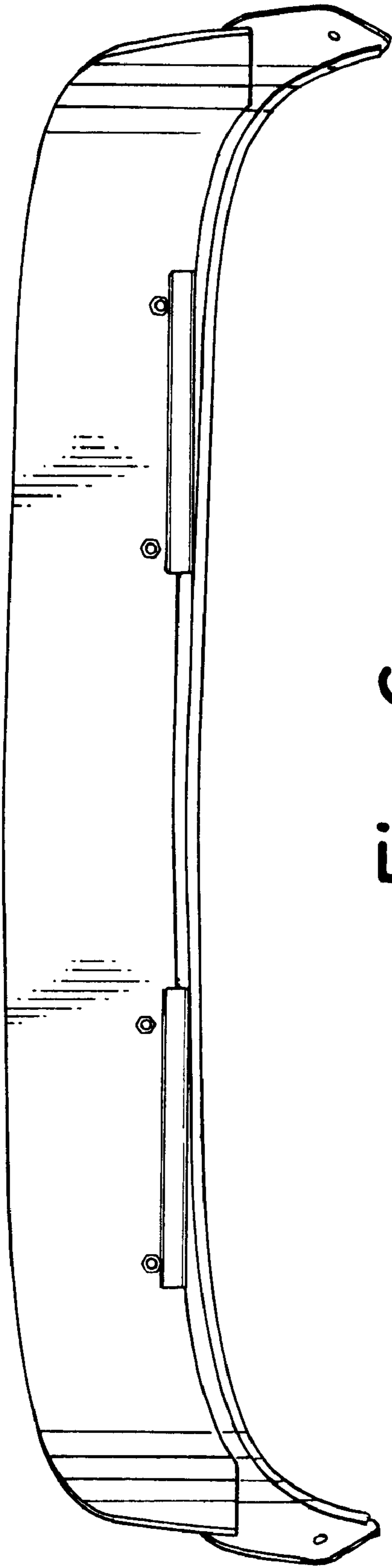


Fig. 6

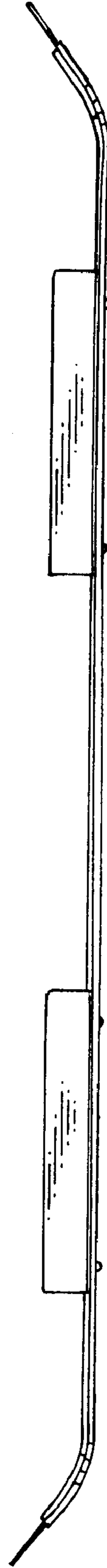


Fig. 7