



US00D485218S

(12) **United States Design Patent**
Bentley

(10) **Patent No.:** **US D485,218 S**
(45) **Date of Patent:** **** Jan. 13, 2004**

(54) **TRAILER HITCH RECEIVER COVER**

(76) Inventor: **Monty J. Bentley**, 11411 Harwin #9,
Houston, TX (US) 77072

(**) Term: **14 Years**

(21) Appl. No.: **29/180,107**

(22) Filed: **Apr. 21, 2003**

(51) **LOC (7) Cl.** **12-16**

(52) **U.S. Cl.** **D12/162**

(58) **Field of Search** D12/162; 280/415,
280/416-416.3, 504, 510-513, 493-495,
477, 507

(56) **References Cited**

U.S. PATENT DOCUMENTS

D317,890 S	7/1991	Bachmann	
D392,926 S	3/1998	Adelaar	
D401,194 S	11/1998	Harwood	
D404,349 S	1/1999	Julian	
D405,744 S	2/1999	Young	
D413,291 S	8/1999	Corns, Jr.	
D415,080 S	10/1999	Schultz	
D417,177 S	* 11/1999	Contreras D12/162
D419,505 S	1/2000	Deerman	
D425,460 S	5/2000	Peroni	
D426,798 S	6/2000	Peroni	
D428,839 S	8/2000	Horowitz	

D429,668 S	8/2000	Julian	
D430,519 S	9/2000	Beauvais	
D430,520 S	* 9/2000	Benoun D12/162
D433,358 S	11/2000	McBroom	
D435,812 S	1/2001	Nace et al.	
D438,493 S	3/2001	Mulliniks et al.	
D444,433 S	7/2001	McBroom	
D452,205 S	12/2001	Eisenbraun	
D454,524 S	* 3/2002	Wrob D12/162
D456,321 S	4/2002	Sammons et al.	
D475,328 S	* 6/2003	Murguia D12/162

* cited by examiner

Primary Examiner—Stacia Cadmus

(57) **CLAIM**

The ornamental design for a trailer hitch receiver cover, as shown and described.

DESCRIPTION

FIG. 1 is a perspective view of a trailer hitch receiver cover showing my new design;
FIG. 2 is a front view, lined for color, thereof;
FIG. 3 is a back view, thereof;
FIG. 4 is a top view thereof;
FIG. 5 is a bottom view, thereof;
FIG. 6 is a left side view, thereof; and,
FIG. 7 is a right side view, thereof.

1 Claim, 3 Drawing Sheets

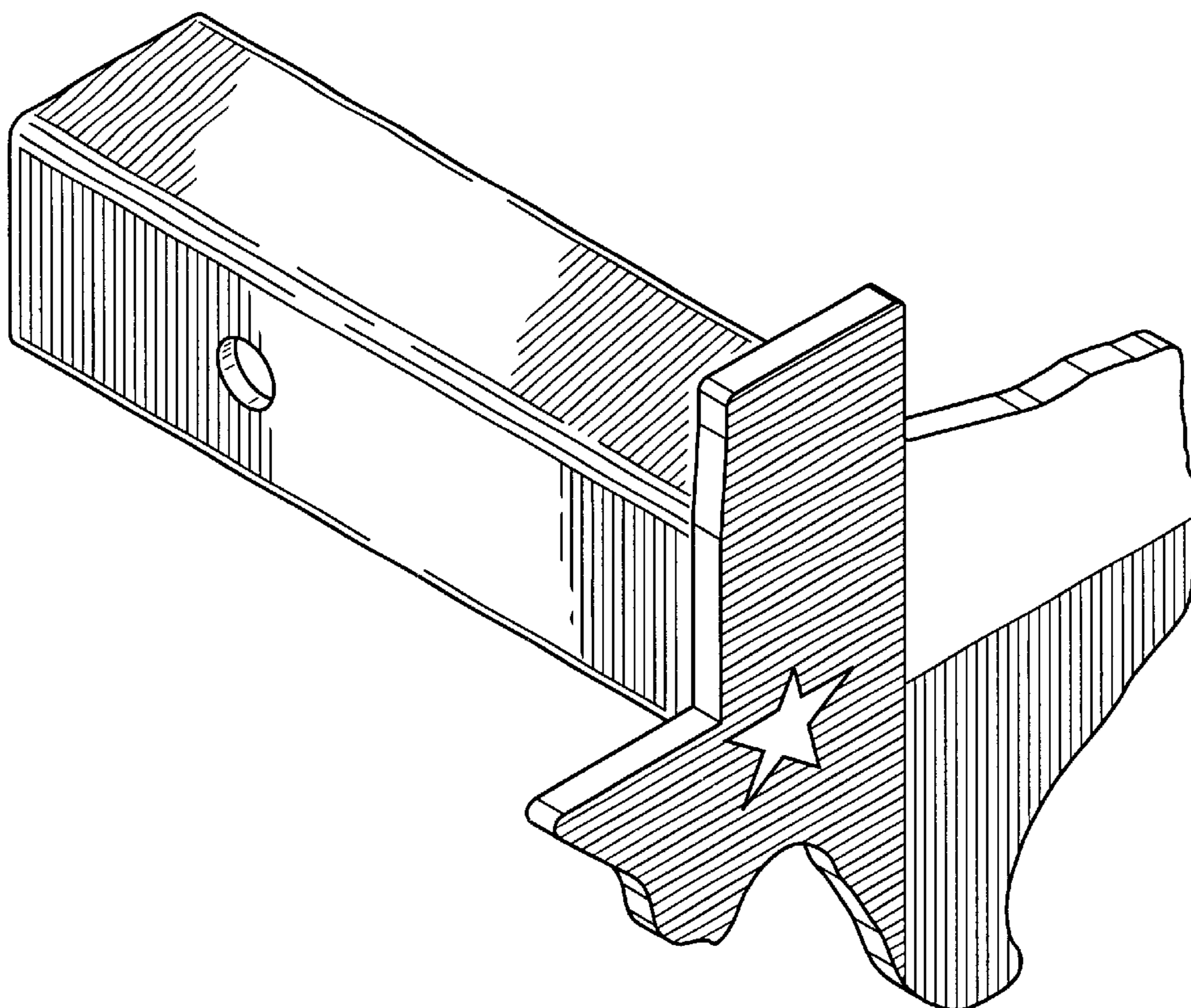


FIG. 1

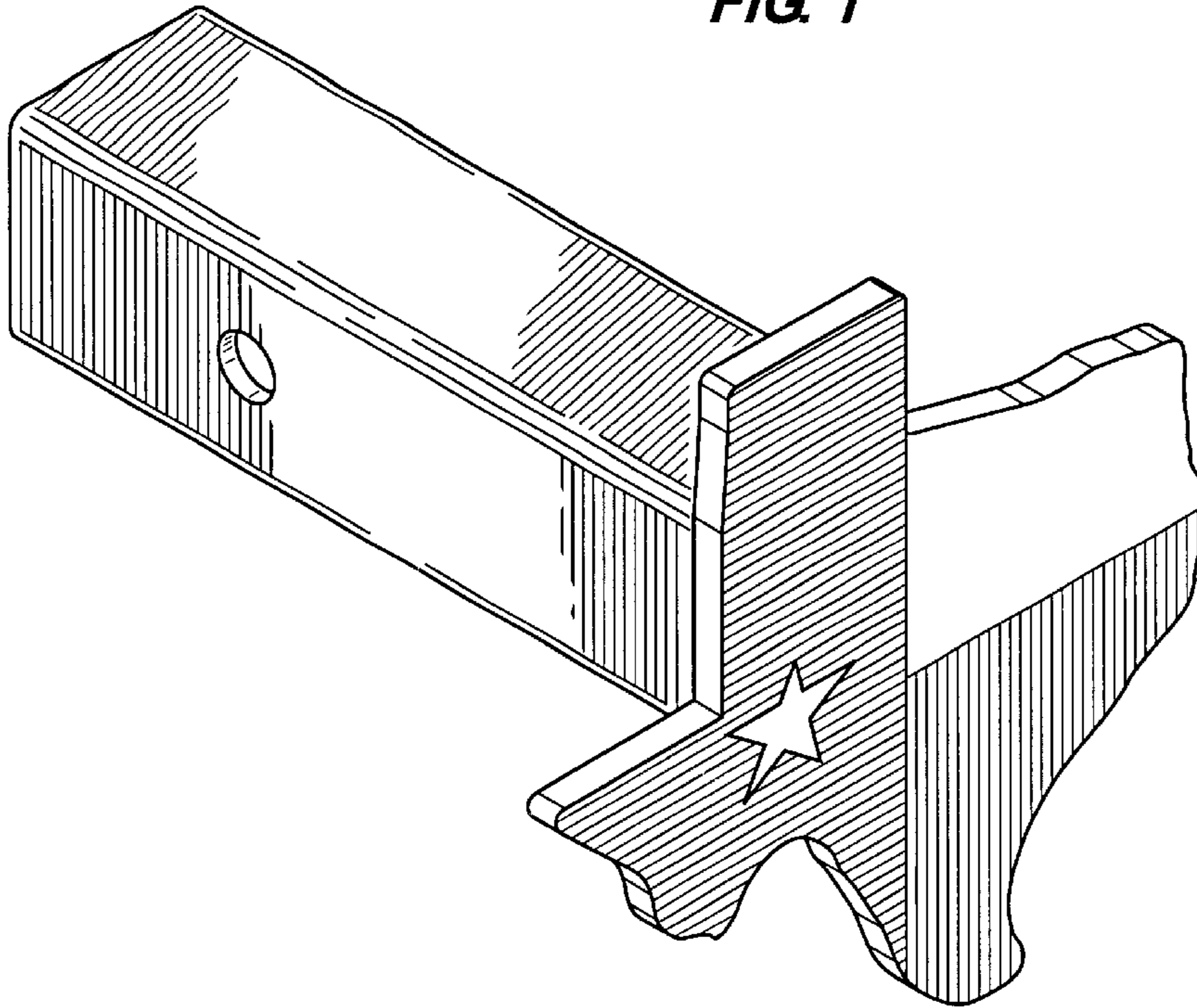


FIG. 2

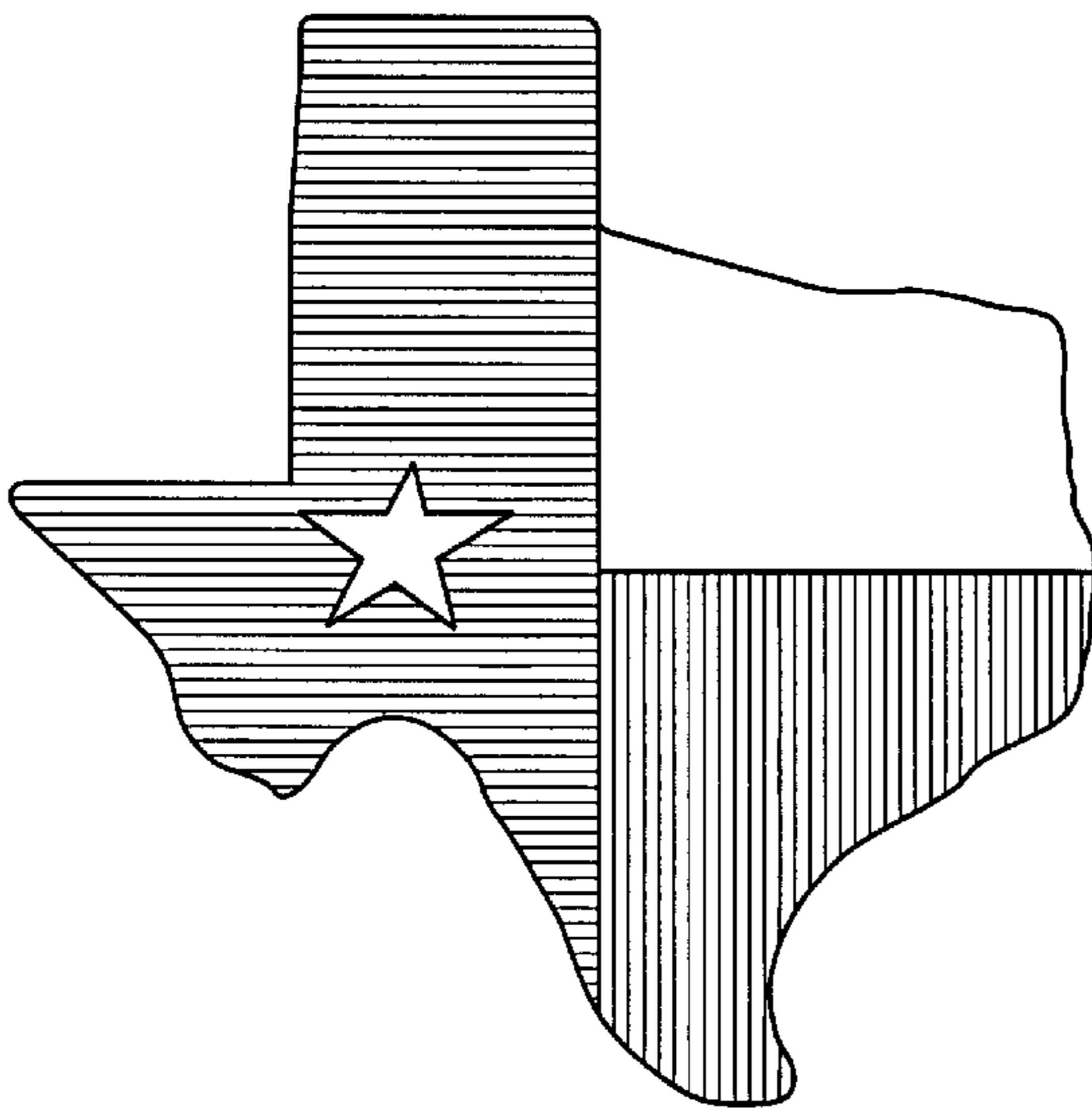


FIG. 3

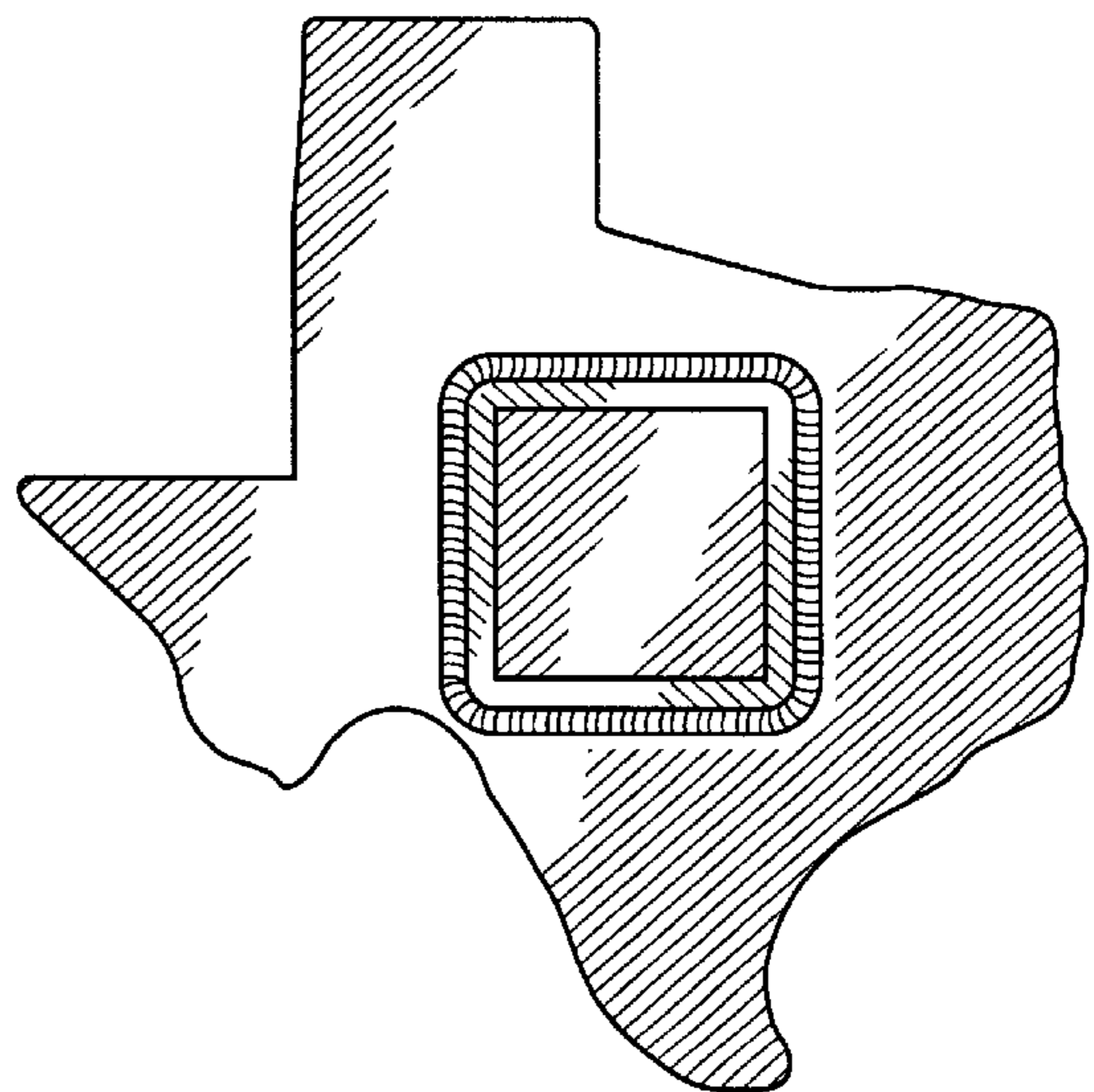


FIG. 4

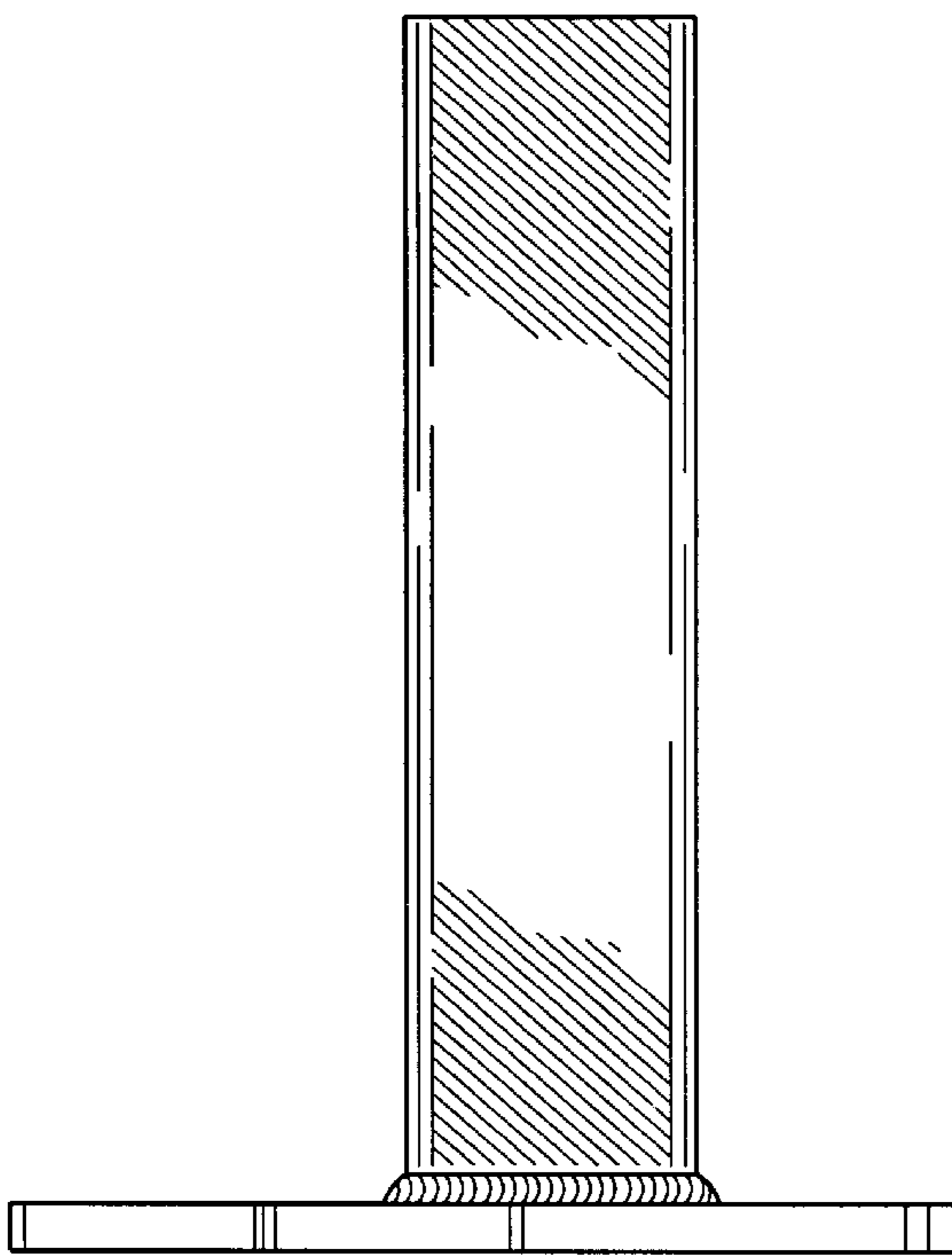


FIG. 5

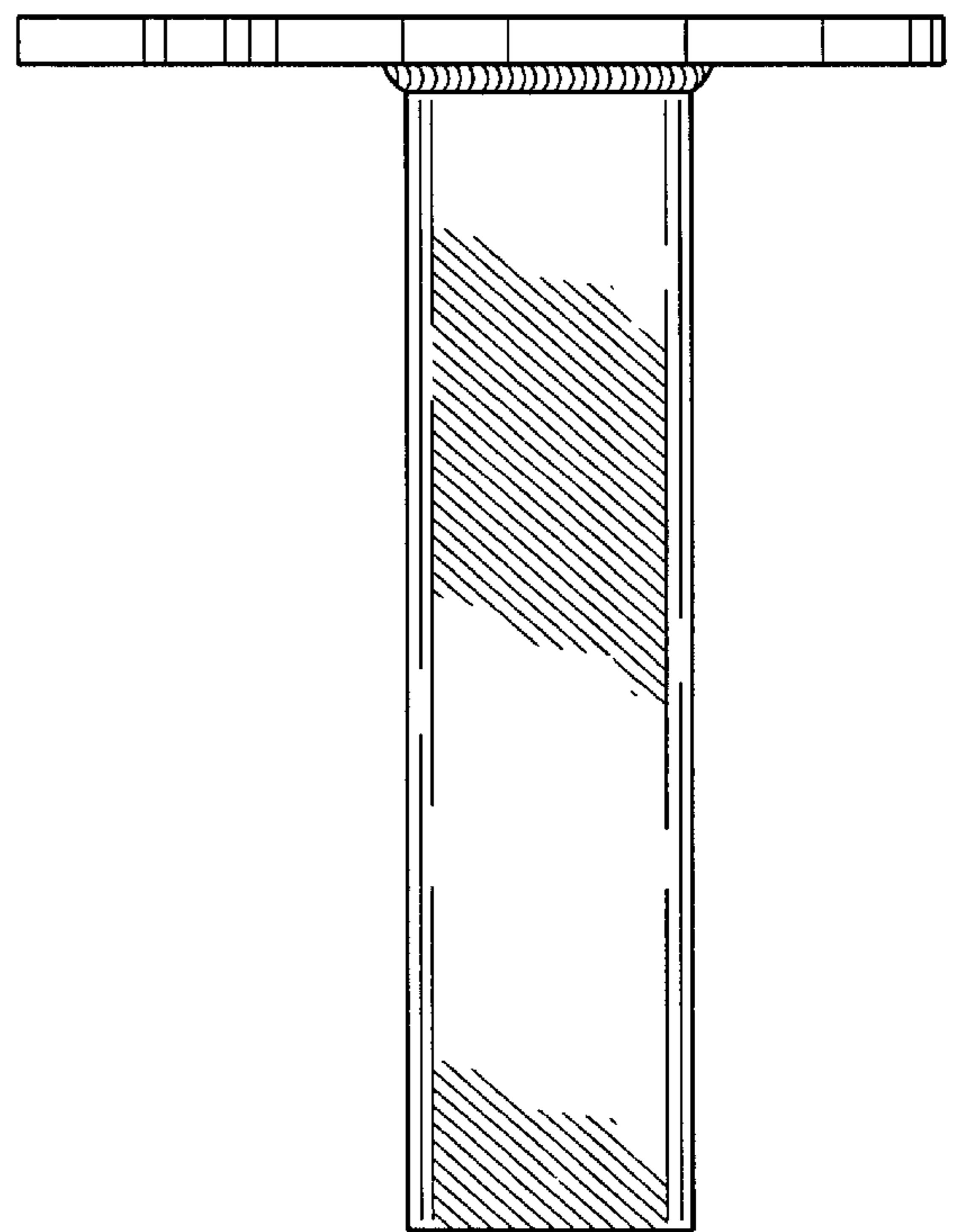


FIG. 6

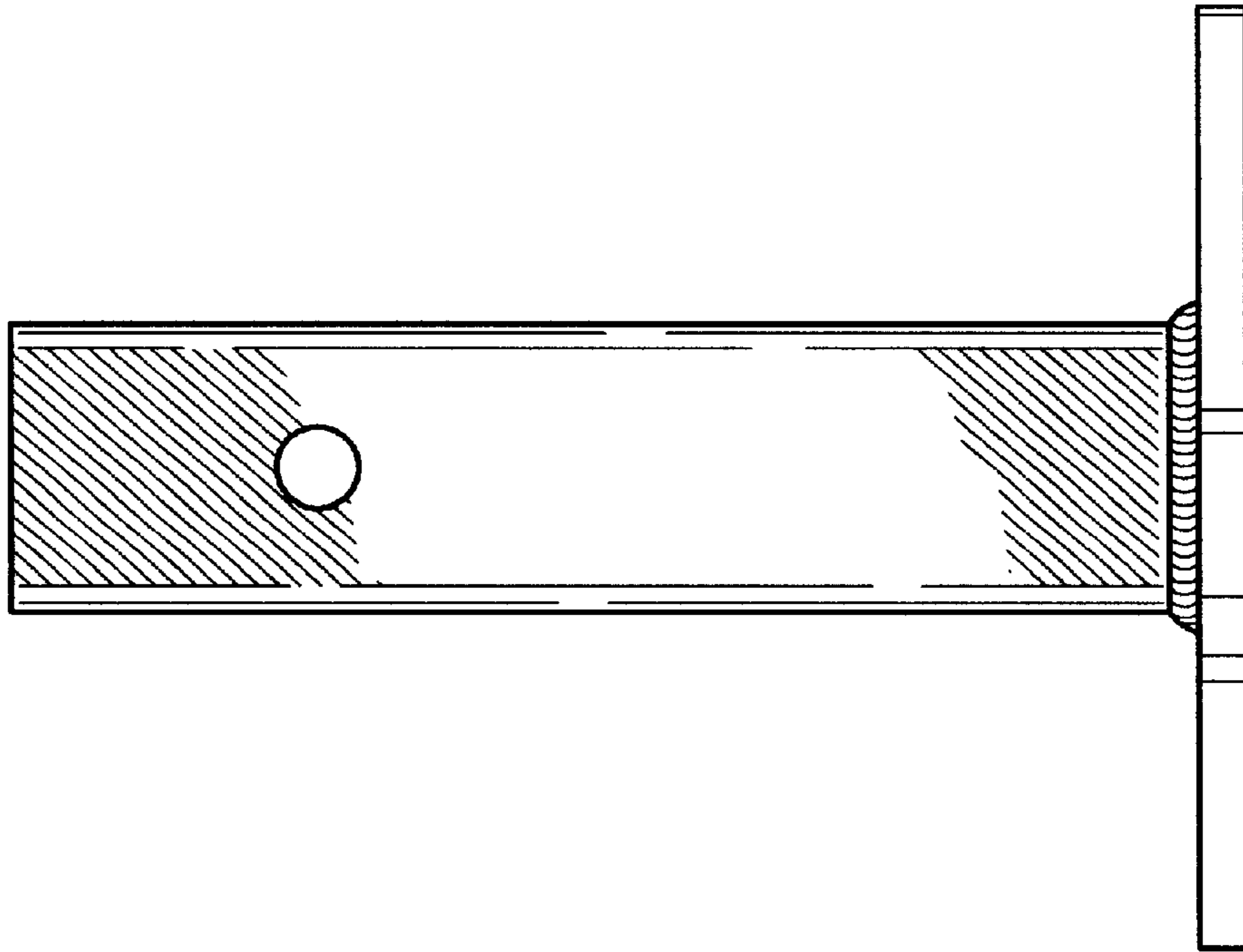


FIG. 7

