



US00D485209S

(12) **United States Design Patent**
Tracy et al.

(10) **Patent No.:** **US D485,209 S**

(45) **Date of Patent:** **** Jan. 13, 2004**

(54) **BREAKAWAY LANYARD CLOSURE DEVICE**

(75) Inventors: **Richard J. Tracy**, Elgin, IL (US);
Edward Eaton, Wheaton, IL (US)

(73) Assignee: **Illinois Tool Works Inc.**, Glenview, IL (US)

(**) Term: **14 Years**

(21) Appl. No.: **29/162,324**

(22) Filed: **Jun. 12, 2002**

(65) **Prior Publication Data**

(65)

(51) **LOC (7) Cl.** **11-03**

(52) **U.S. Cl.** **D11/216**

(58) **Field of Search** D11/200-220,
D11/231-232, 234, 236, 238; 24/616, 196,
326, 316, 644, 615, 575; D2/627

(56) **References Cited**

U.S. PATENT DOCUMENTS

1,235,820 A * 8/1917 Leibe D11/218
D346,569 S * 5/1994 Lovato D11/218
D353,932 S * 1/1995 New D2/627

D366,856 S * 2/1996 Takimoto D11/218
D400,474 S * 11/1998 Chou D11/216
D452,459 S * 12/2001 Riley D11/216
D470,657 S * 2/2003 Kawamura D11/216

* cited by examiner

Primary Examiner—Ralf Seifert

(74) *Attorney, Agent, or Firm*—Paul F. Donovan; Mark W. Croll

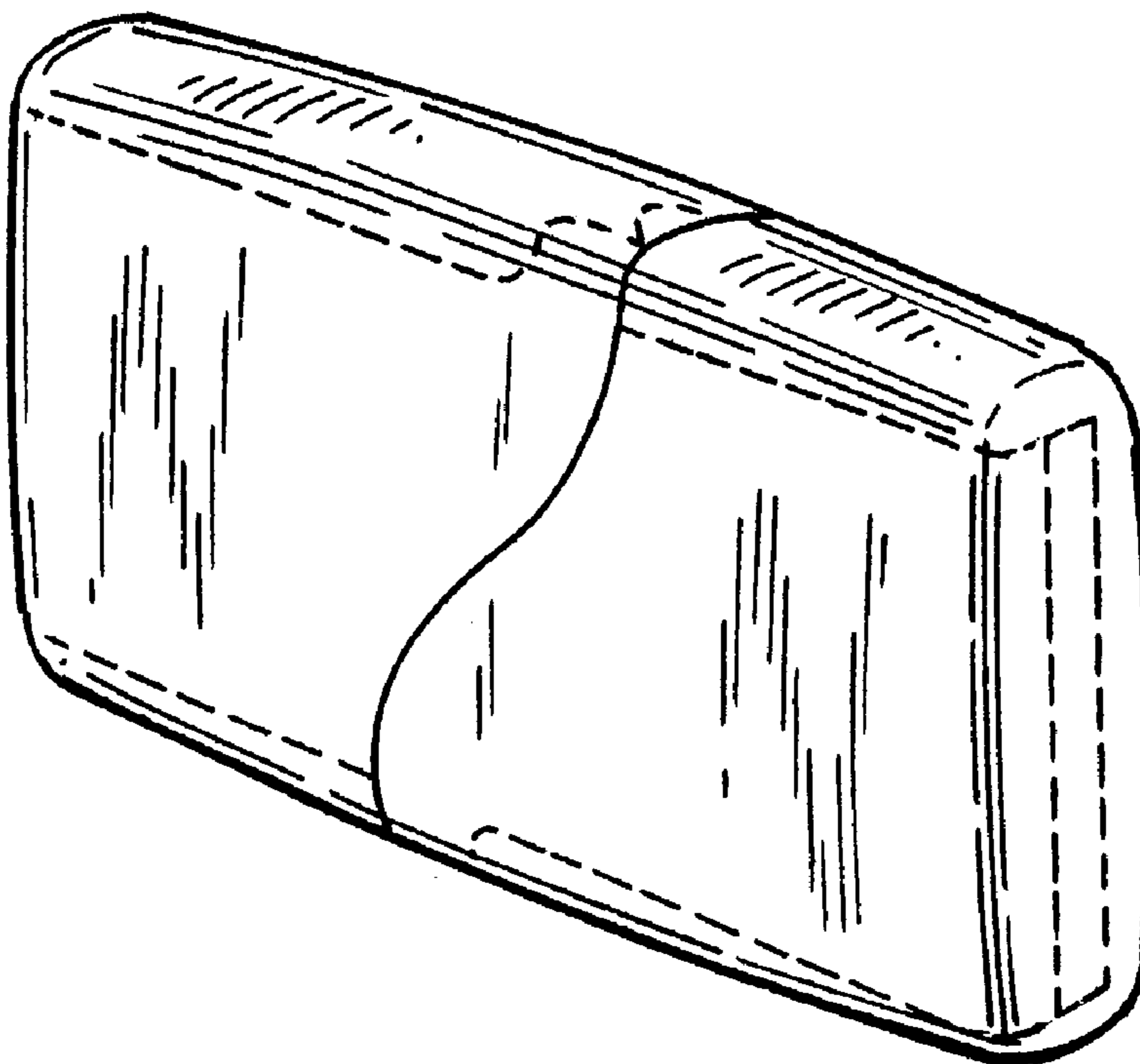
(57) **CLAIM**

The ornamental design for a breakaway lanyard closure device, as shown and described herein.

DESCRIPTION

FIG. 1 is a perspective view of a breakaway lanyard closure device showing my new design;
FIG. 2 is a top plan view;
FIG. 3 is an end elevational view, the opposite end being the same;
FIG. 4 is a side elevational view, the opposite side being the same; and,
FIG. 5 is a bottom plan view.
The broken line portions of the disclosure are for illustrative purposes only and form no part of the claimed design.

1 Claim, 1 Drawing Sheet



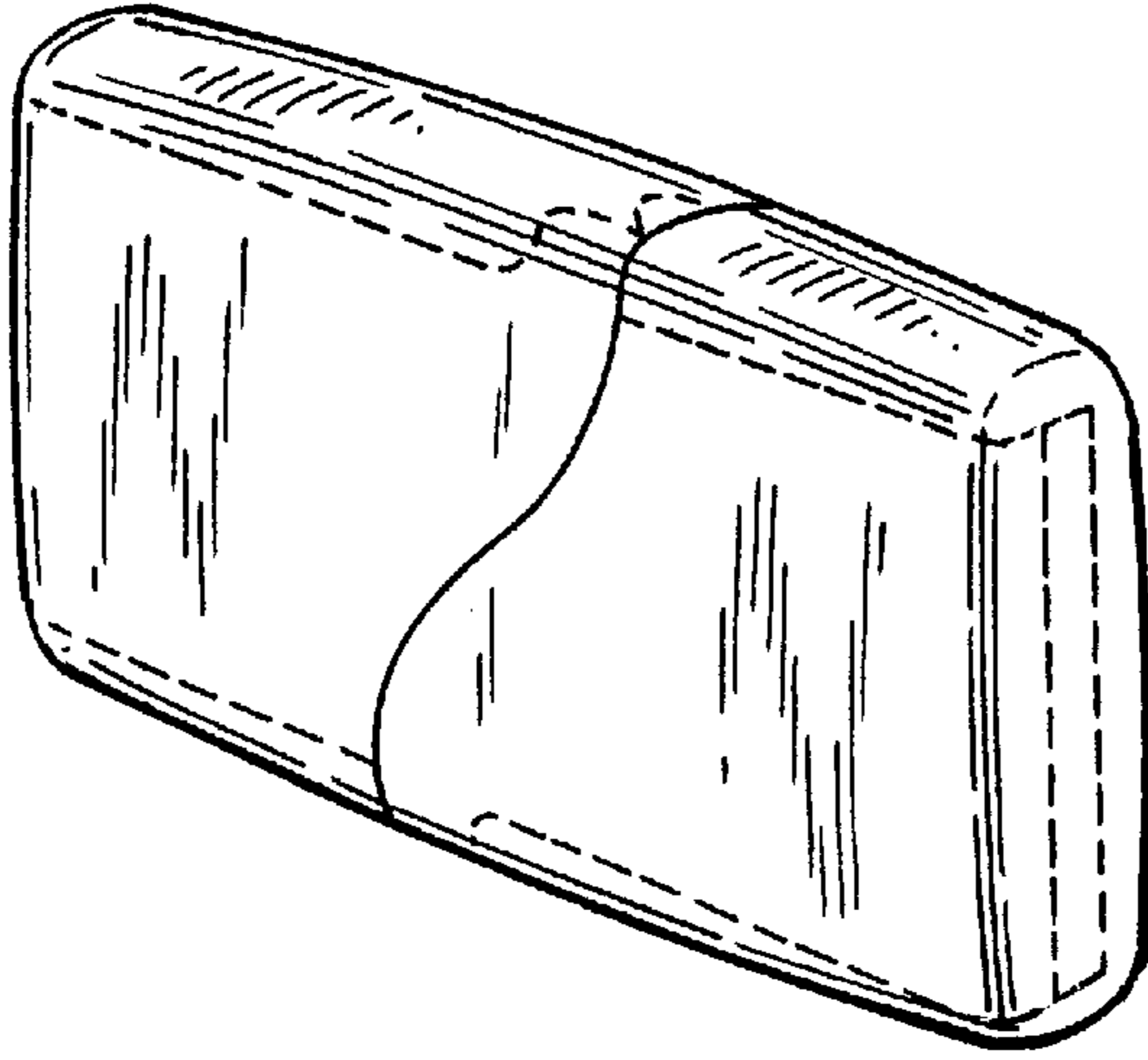


Fig. 1

Fig. 2

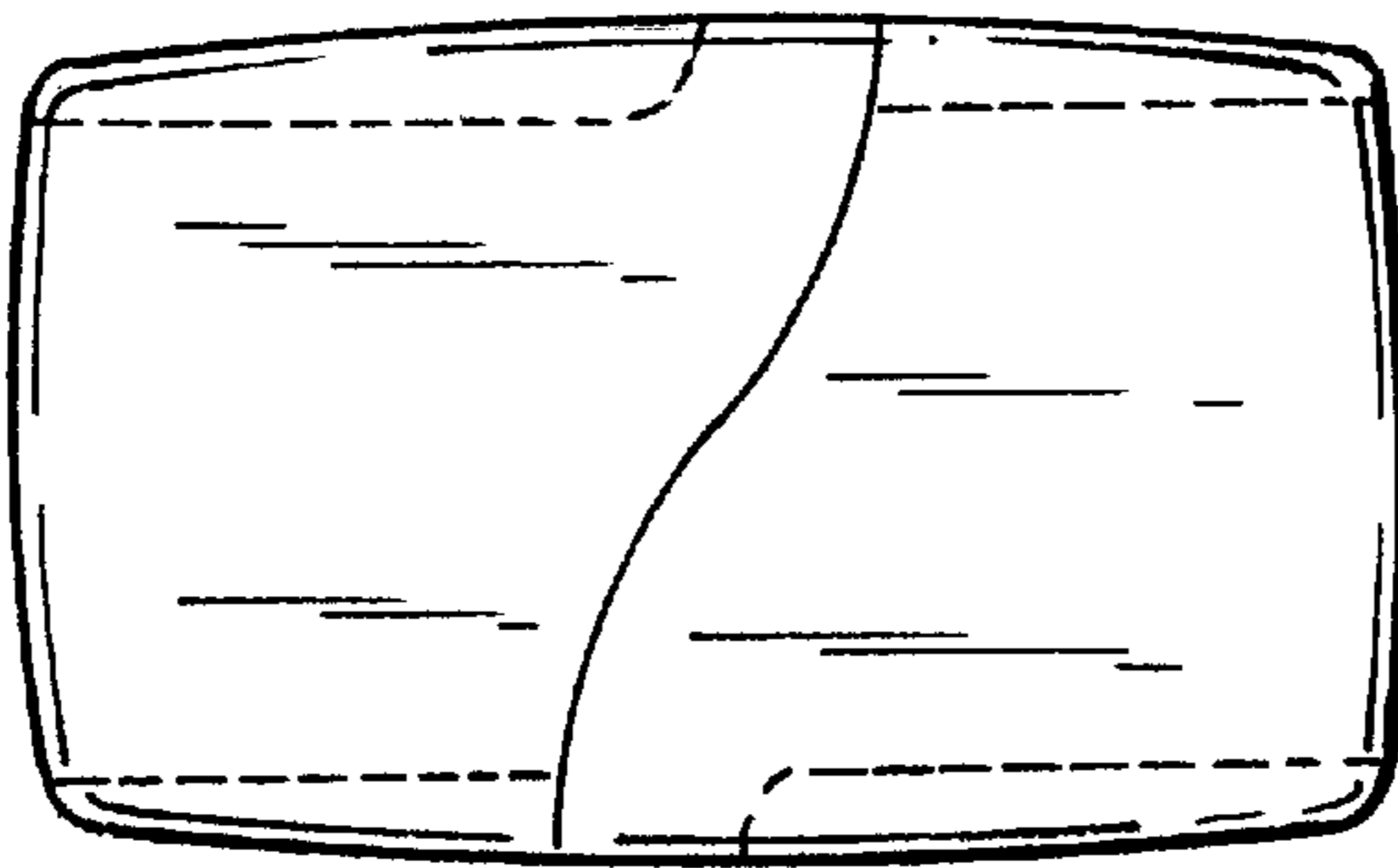


Fig. 3

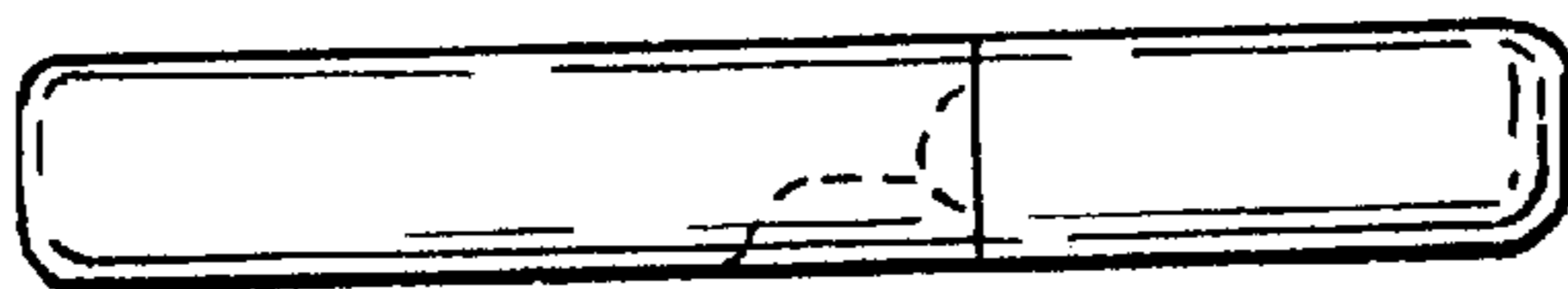


Fig. 4

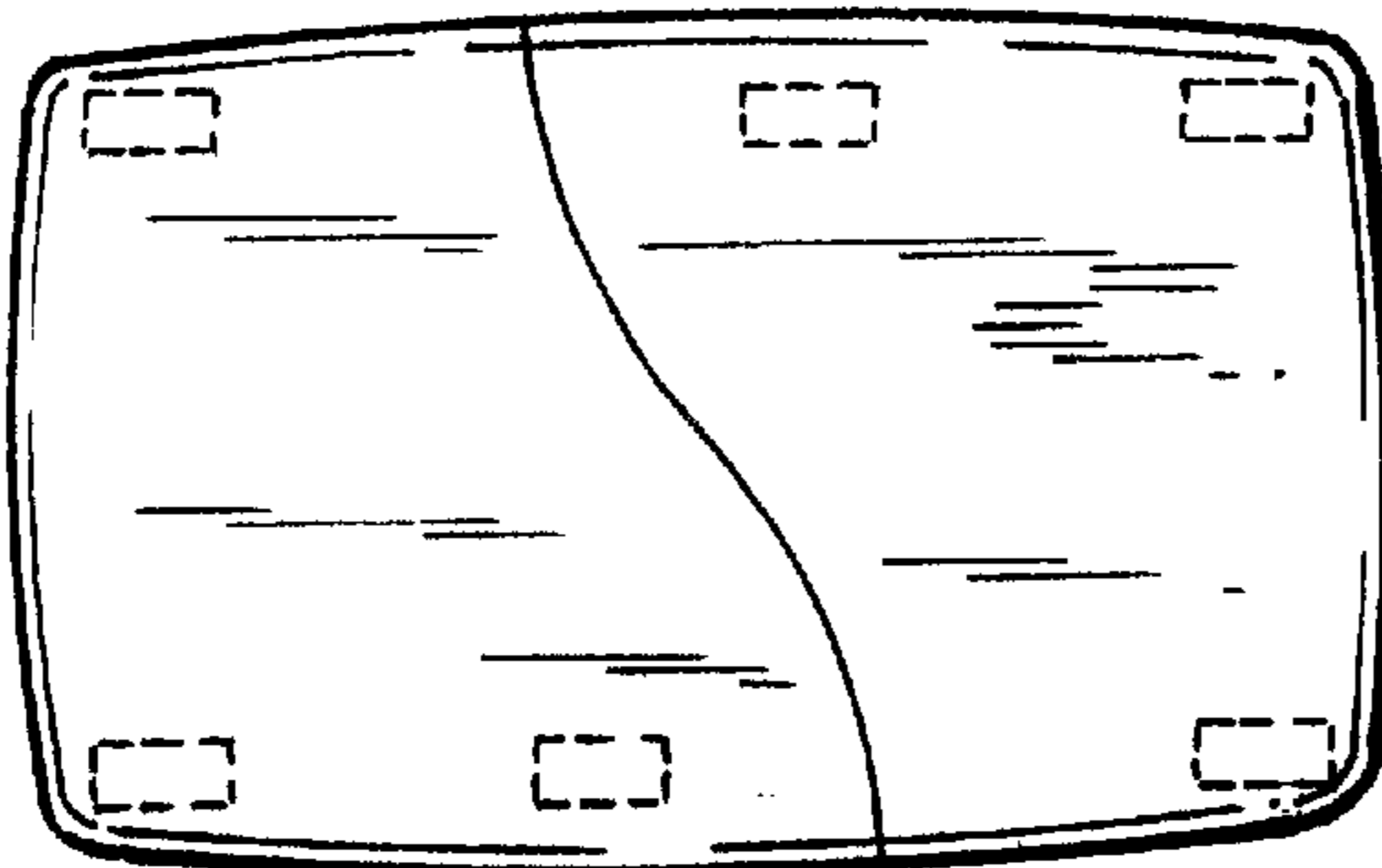


Fig. 5