



US00D485208S

(12) **United States Design Patent**  
**Fan**

(10) **Patent No.:** **US D485,208 S**

(45) **Date of Patent:** **\*\* Jan. 13, 2004**

(54) **SELF WATERING TRAY**

(76) Inventor: **Jianhua Fan**, 5800 Maudina Ave., #C2,  
Nashville, TN (US) 37209

(\*\*) Term: **14 Years**

(21) Appl. No.: **29/160,787**

(22) Filed: **May 16, 2002**

(51) **LOC (7) Cl.** ..... **11-02**

(52) **U.S. Cl.** ..... **D11/143**

(58) **Field of Search** ..... D11/143, 144,  
D11/145, 148, 152, 153, 154, 155, 156,  
164; 47/40, 65.5, 65.6, 65.7, 66.2, 66.6,  
67, 68, 71, 79, 80, 81; 206/423; 220/23.6;  
248/27.8

(56) **References Cited**

**U.S. PATENT DOCUMENTS**

1,216,642 A	2/1917	White	
1,391,353 A *	9/1921	Wells	47/71
D250,009 S *	10/1978	Karotseris	D11/143
4,250,665 A	2/1981	English	
4,339,891 A	7/1982	Bassett	
4,991,345 A *	2/1991	Bloch	47/79
5,094,032 A *	3/1992	Byland et al.	47/71
D339,550 S	9/1993	Wilder	

5,638,638 A *	6/1997	Moskowitz	47/71
D384,907 S *	10/1997	Moskowitz	D11/152
6,125,580 A	10/2000	Fan	
6,131,334 A	10/2000	Fan	
D460,021 S *	7/2002	Fan	D11/152

\* cited by examiner

*Primary Examiner*—Doris V. Coles

*Assistant Examiner*—Mimosa De

(57) **CLAIM**

The ornamental design for a self watering tray, as shown and described.

**DESCRIPTION**

FIG. 1 is a top perspective view of a self watering tray (shown from the side and up for convenience of illustration) showing my new design;

FIG. 2 is a bottom perspective view thereof (from side and bottom of FIG. 1);

FIG. 3 is a top plan view of FIG. 1;

FIG. 4 is a bottom plan view of FIG. 1;

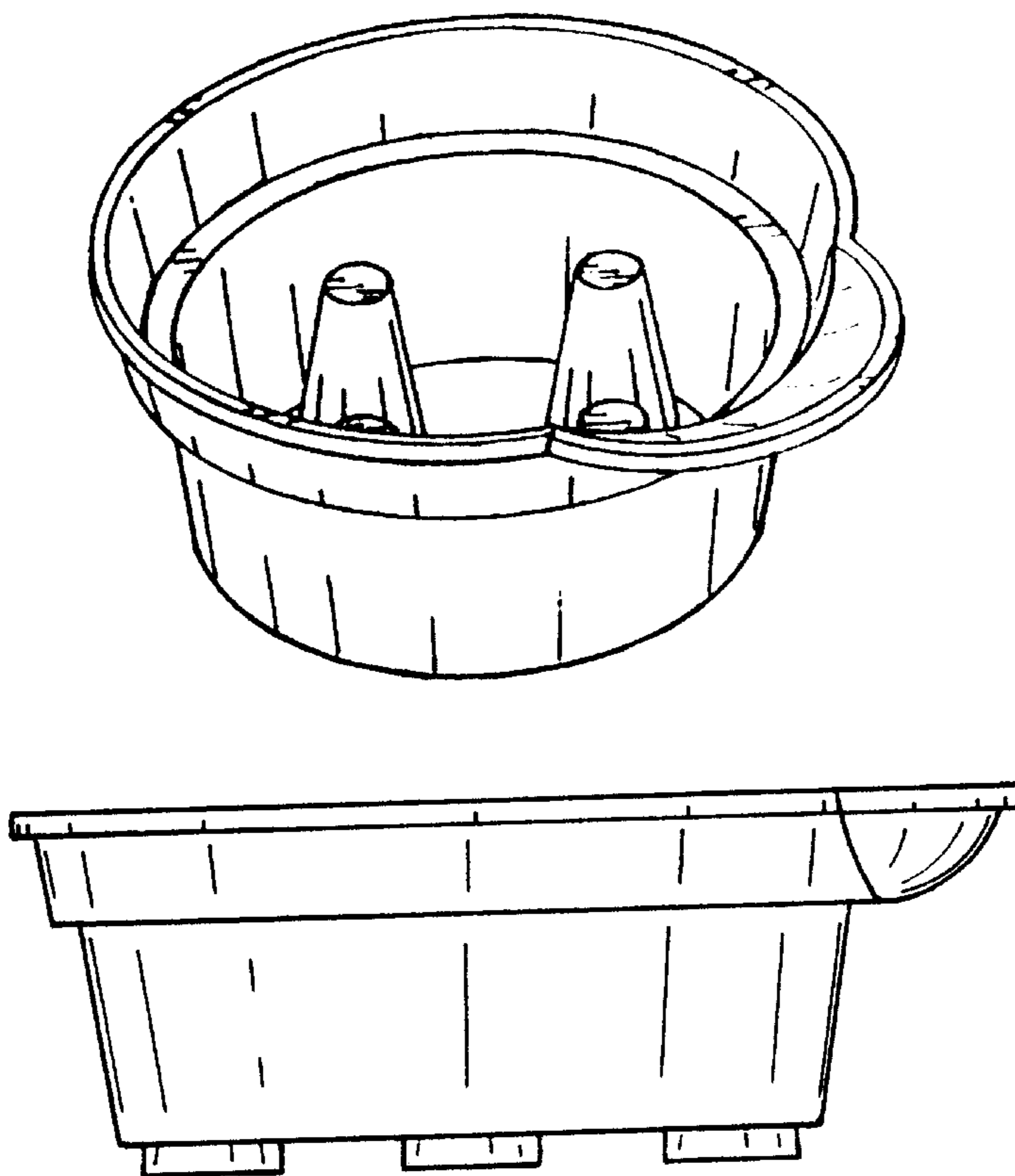
FIG. 5 is a right side (plan) view of FIG. 1;

FIG. 6 is a left side (plan) view of FIG. 1;

FIG. 7 is a front (side plan) view of FIG. 1; and,

FIG. 8 is a back (side plan) view of FIG. 1.

**1 Claim, 4 Drawing Sheets**



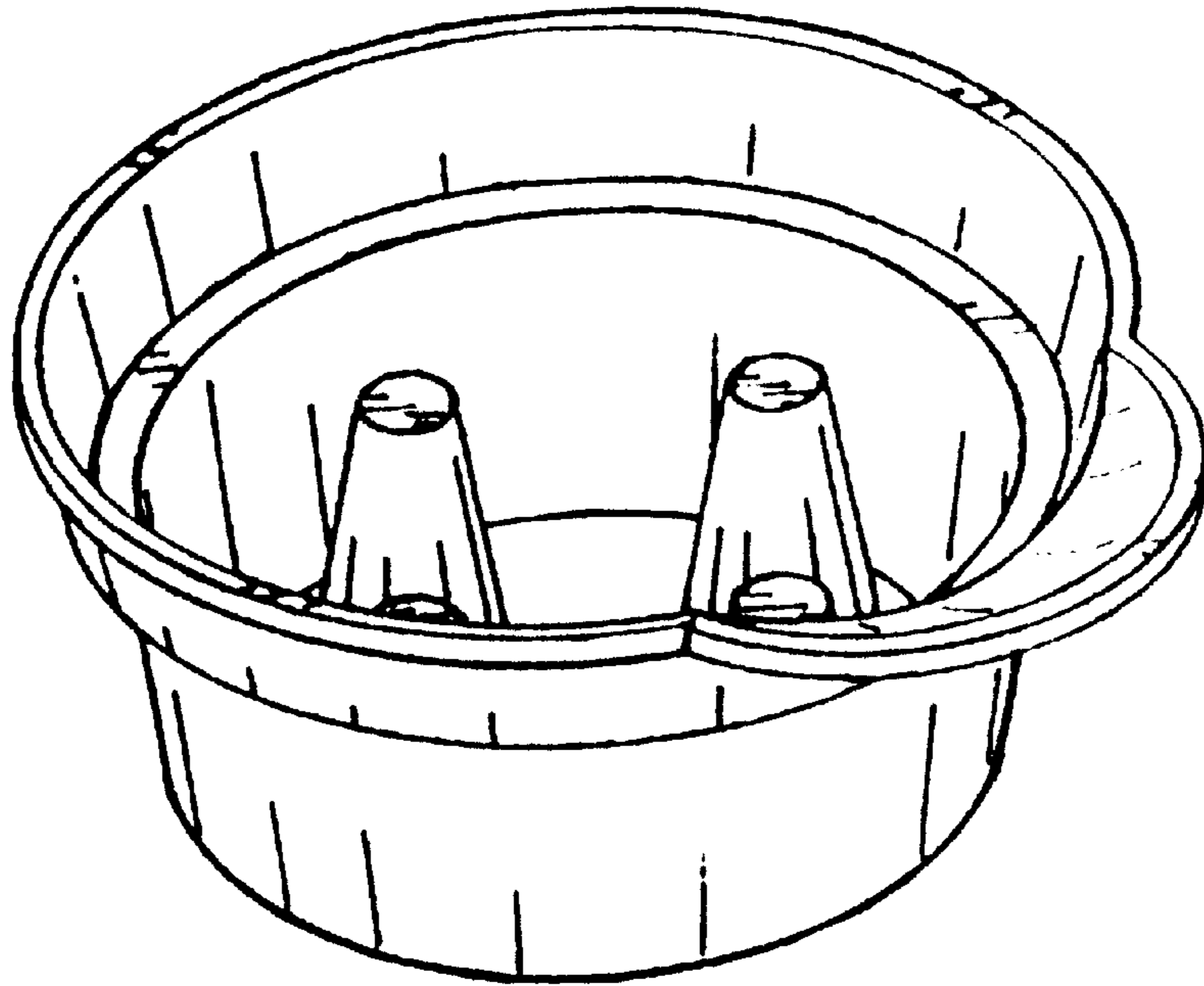


Fig. 1

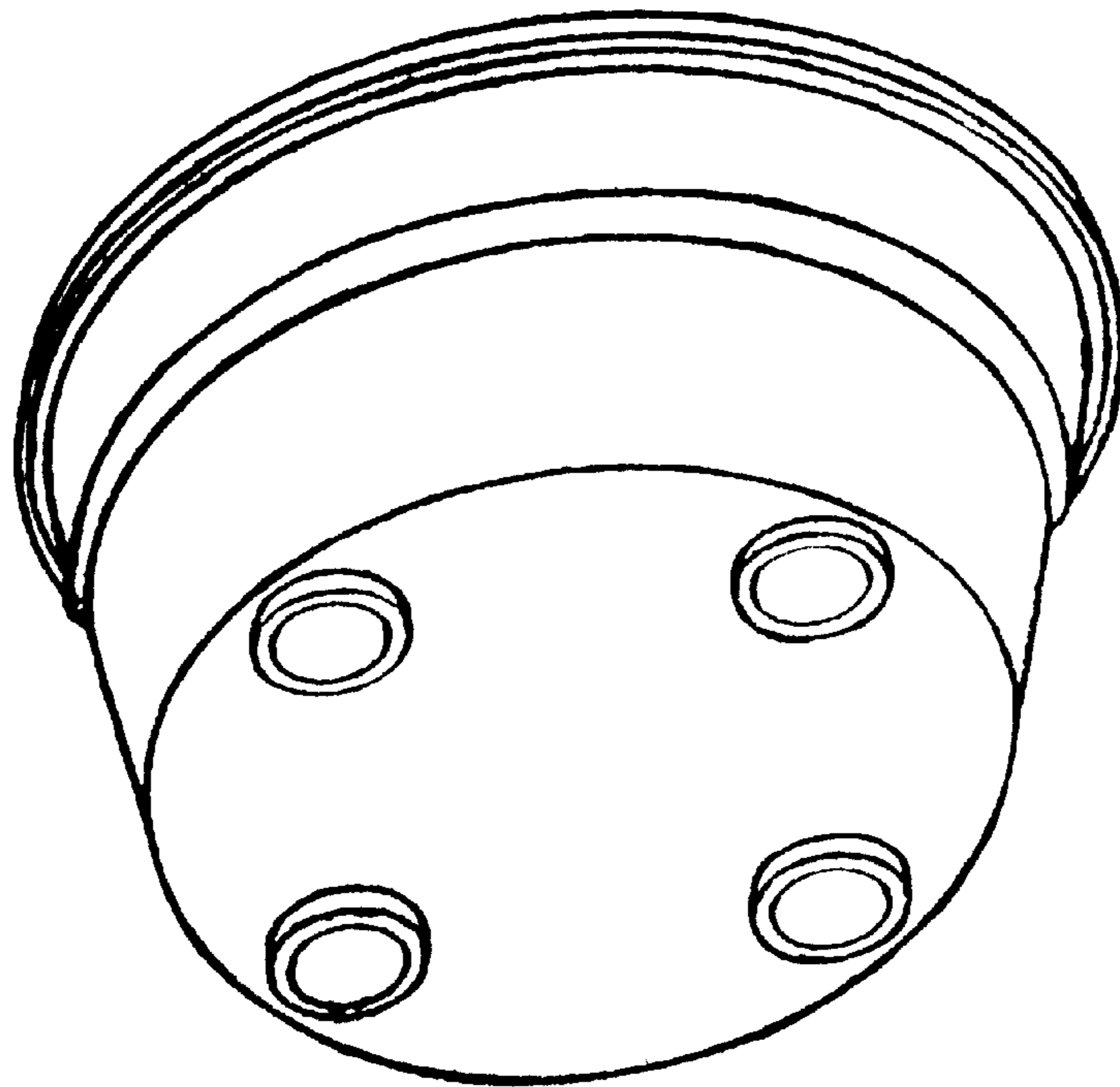


Fig. 2

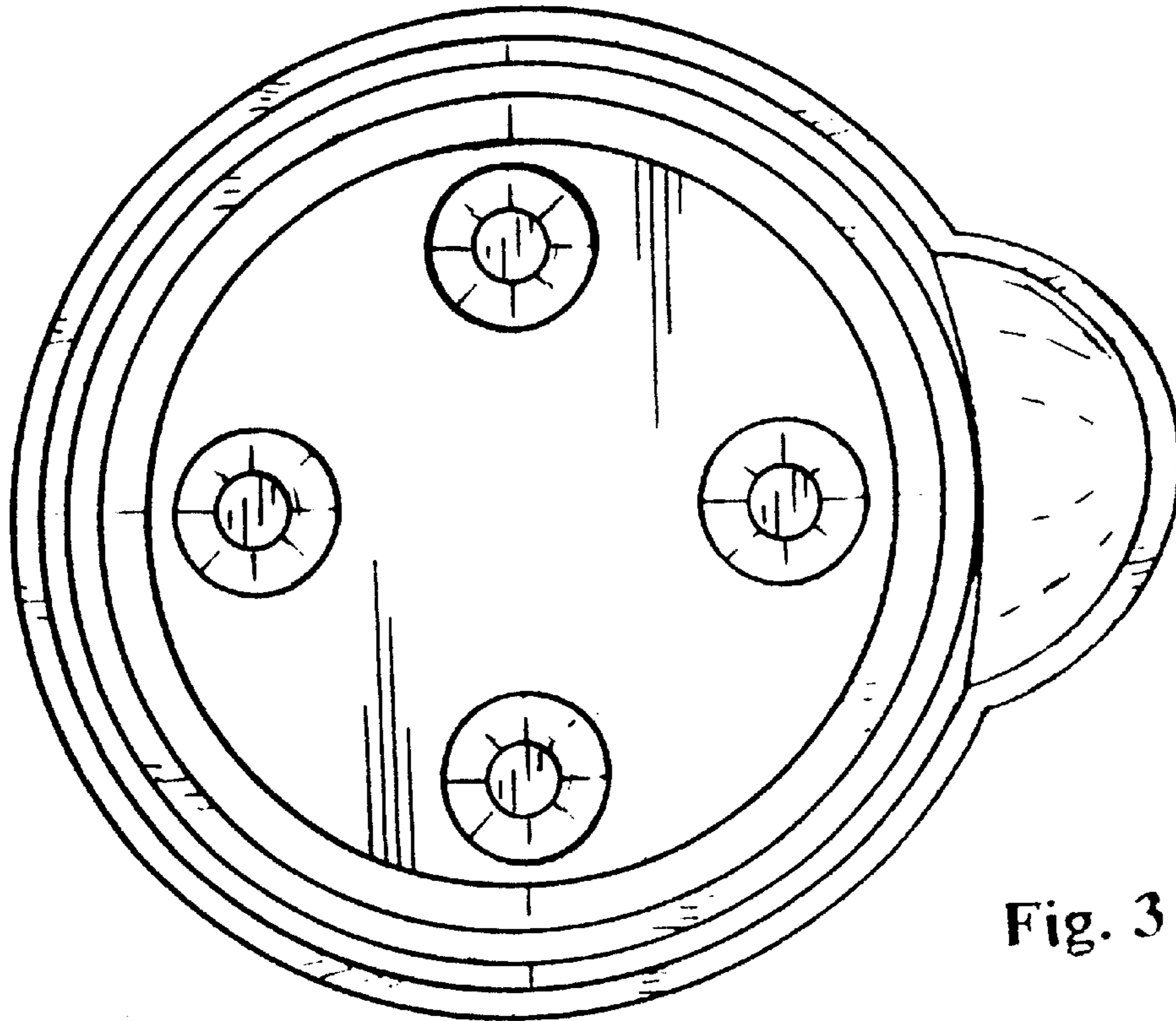


Fig. 3

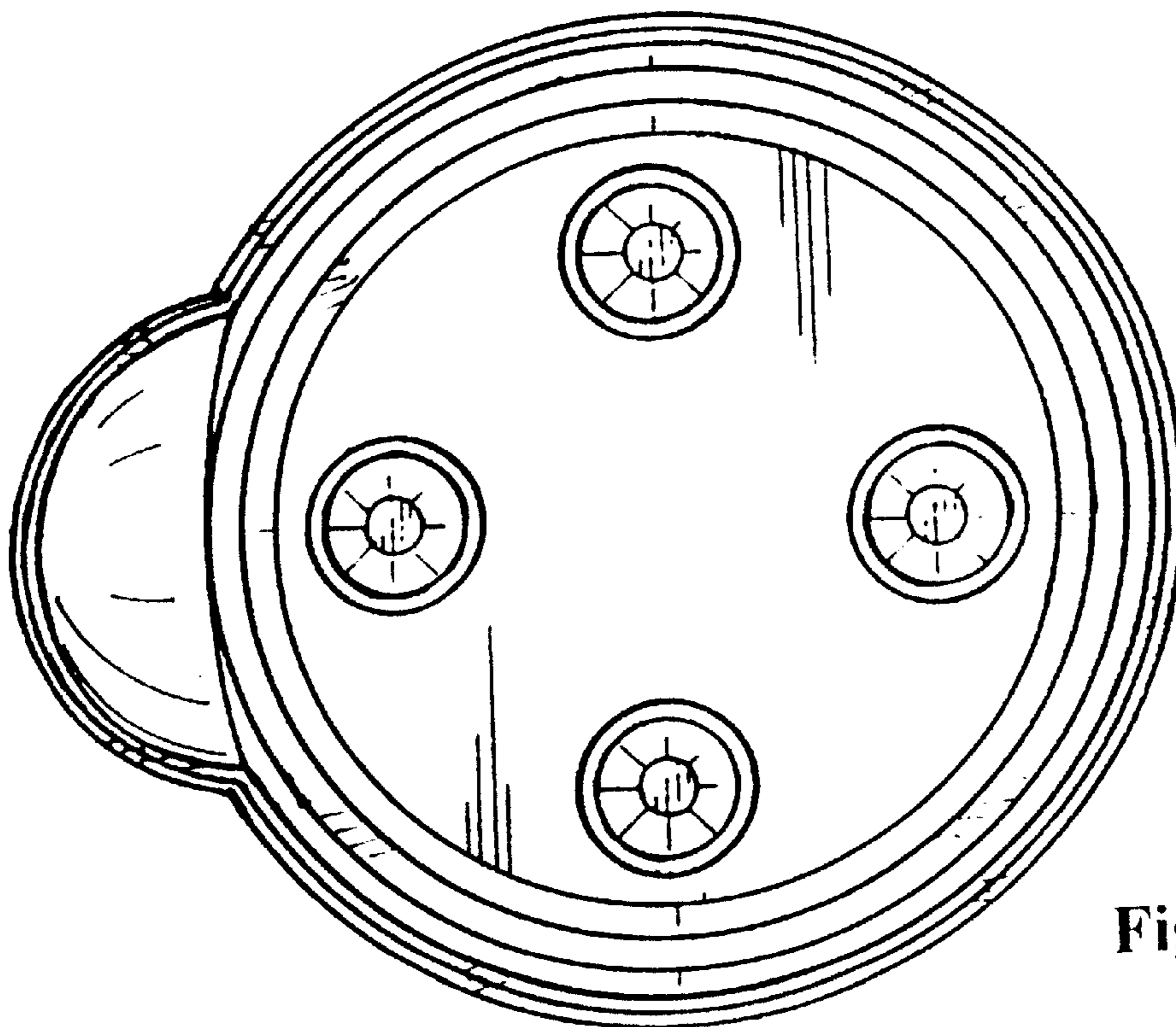


Fig. 4

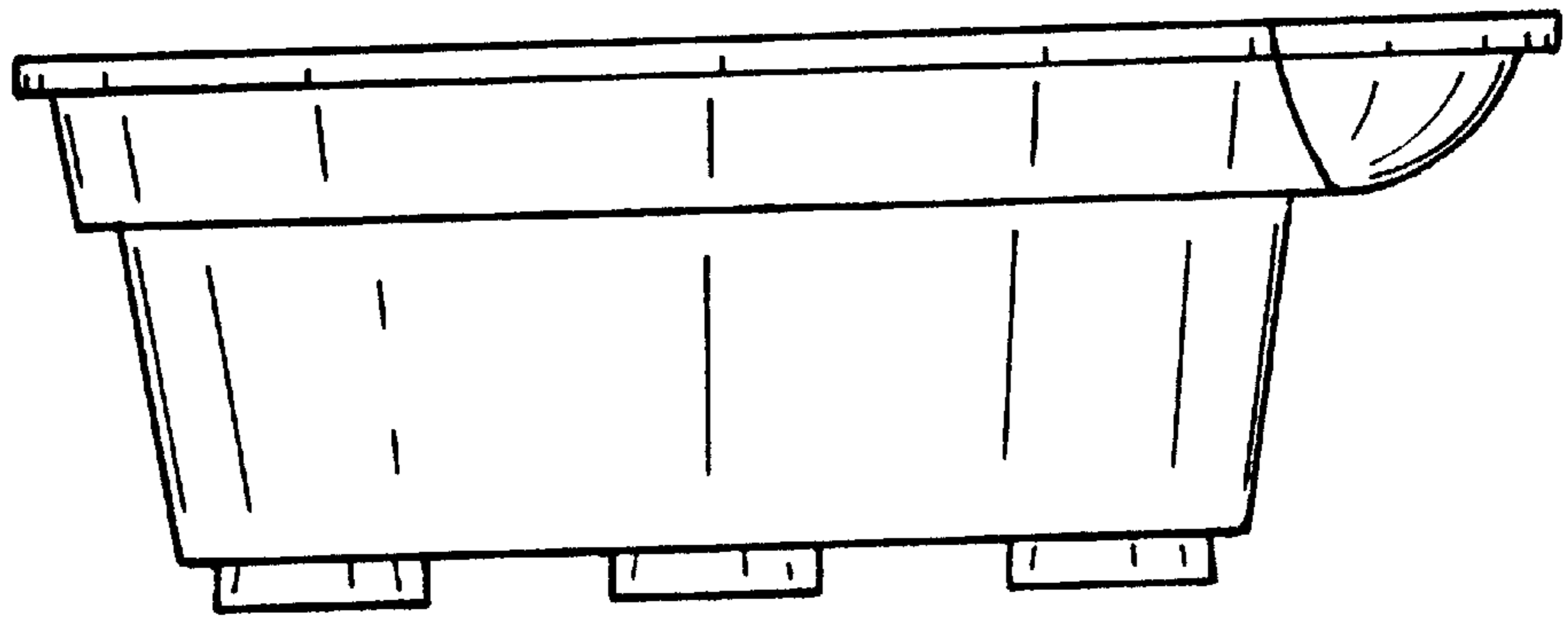


Fig. 5

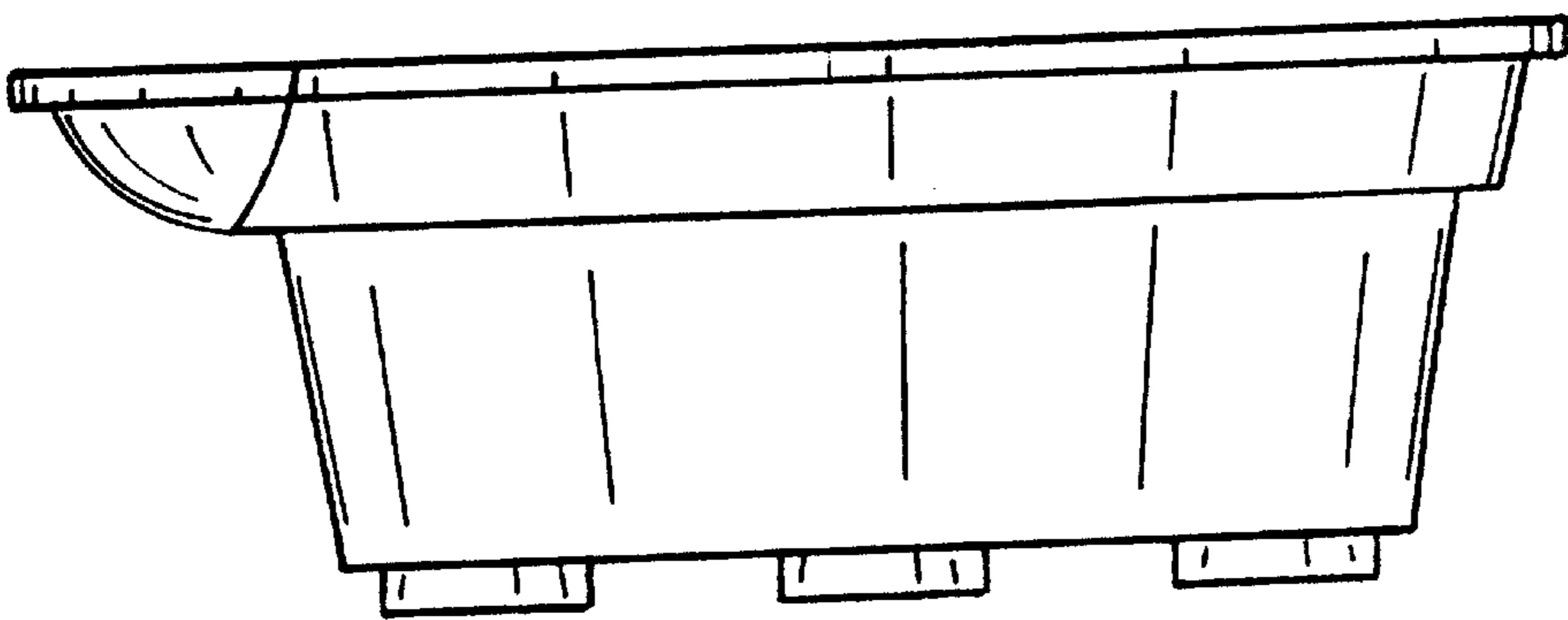


Fig. 6

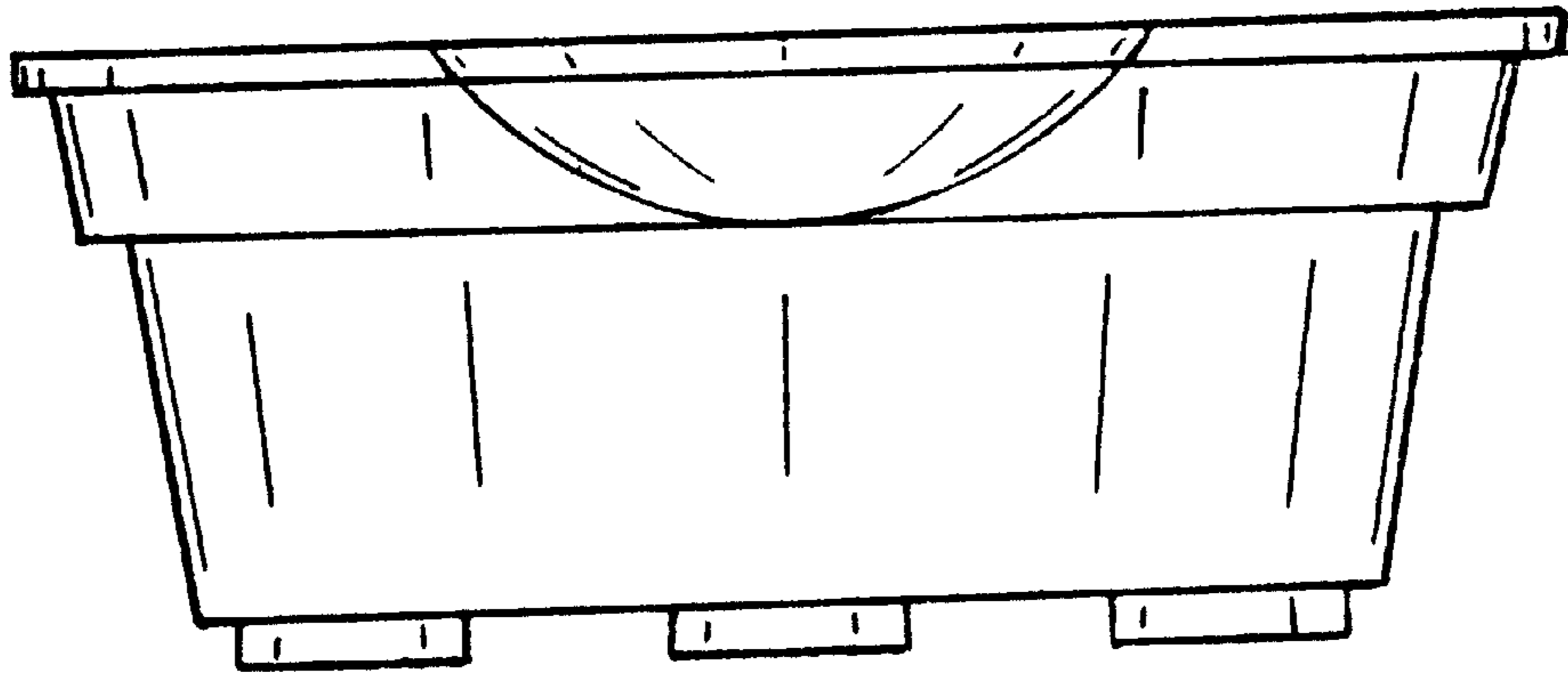


Fig. 7

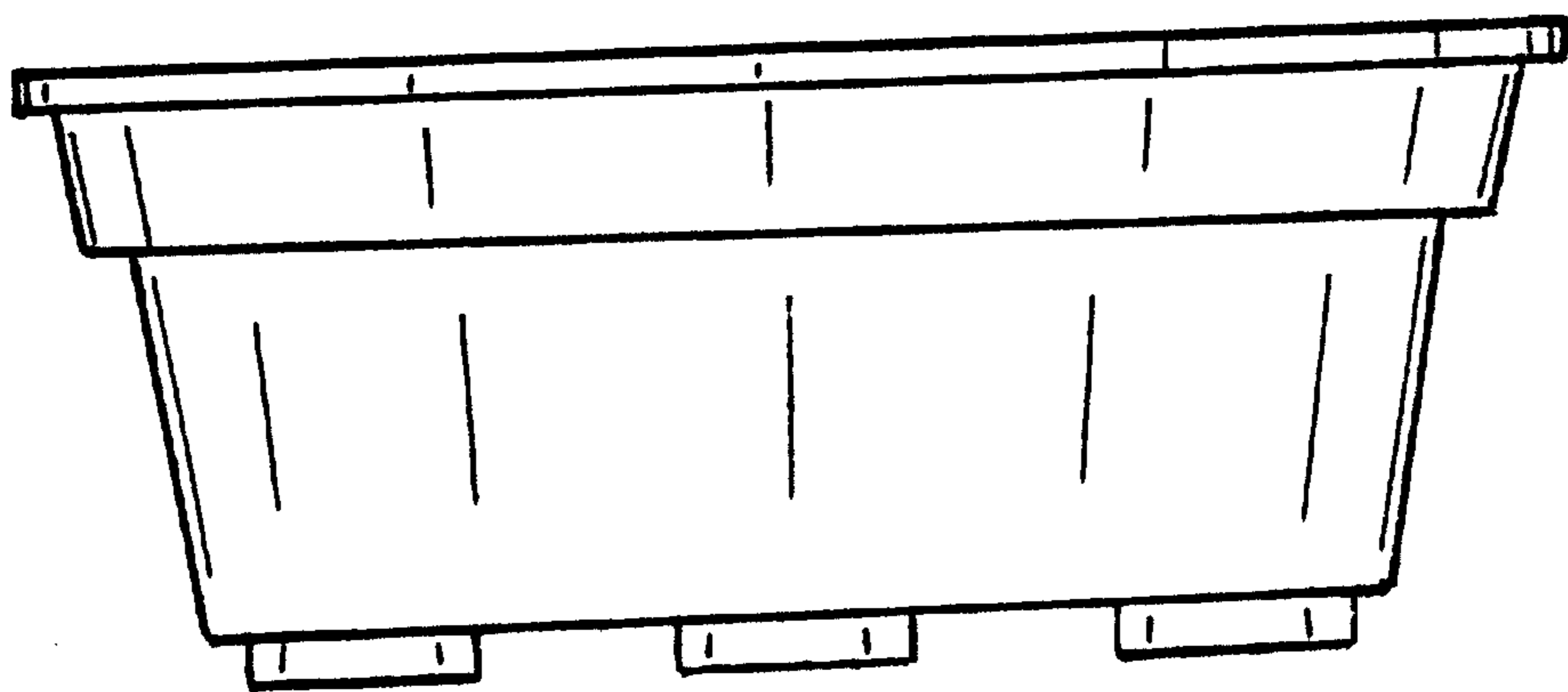


Fig. 8