



US00D485201S

(12) **United States Design Patent**  
**Corrigan**

(10) **Patent No.:** **US D485,201 S**

(45) **Date of Patent:** **\*\* Jan. 13, 2004**

(54) **BACKUP ALARM DESIGN**

(75) **Inventor:** **Robert W. Corrigan, Boise, ID (US)**

(73) **Assignee:** **Electronic Controls Company, Boise, ID (US)**

(\*\*) **Term:** **14 Years**

(21) **Appl. No.:** **29/182,241**

(22) **Filed:** **May 23, 2003**

(51) **LOC (7) Cl. .... 10-05**

(52) **U.S. Cl. .... D10/120**

(58) **Field of Search .... D10/120, 104, D10/116, 119; 340/463, 384.4, 384.1**

(56) **References Cited**

**U.S. PATENT DOCUMENTS**

3,051,944	A	*	8/1962	Smith	.....	340/384.4
3,728,676	A	*	4/1973	Brown	.....	340/463
D258,354	S	*	2/1981	Benson	.....	D10/120
4,603,317	A	*	7/1986	Gailbreath et al.	.....	340/463
4,843,367	A	*	6/1989	Saito	.....	340/463
D338,165	S	*	8/1993	Gregori et al.	.....	D10/104
D347,596	S	*	6/1994	Jackson	.....	D10/106
RE34,773	E	*	11/1994	Dombrowski	.....	340/904
D356,969	S	*	4/1995	Sang	.....	D10/106

D370,862	S	*	6/1996	John-Hurlow	.....	D10/106
D408,309	S	*	4/1999	Ch	.....	D10/106
6,064,302	A	*	5/2000	Peterson et al.	.....	340/463
D440,175	S	*	4/2001	Hu	.....	D10/120
D466,430	S	*	12/2002	Corrigan	.....	D10/106

**OTHER PUBLICATIONS**

“Product Guide Ecco” 1993.

\* cited by examiner

*Primary Examiner*—Nelson C. Holtje

(74) *Attorney, Agent, or Firm*—Joseph W. Holland

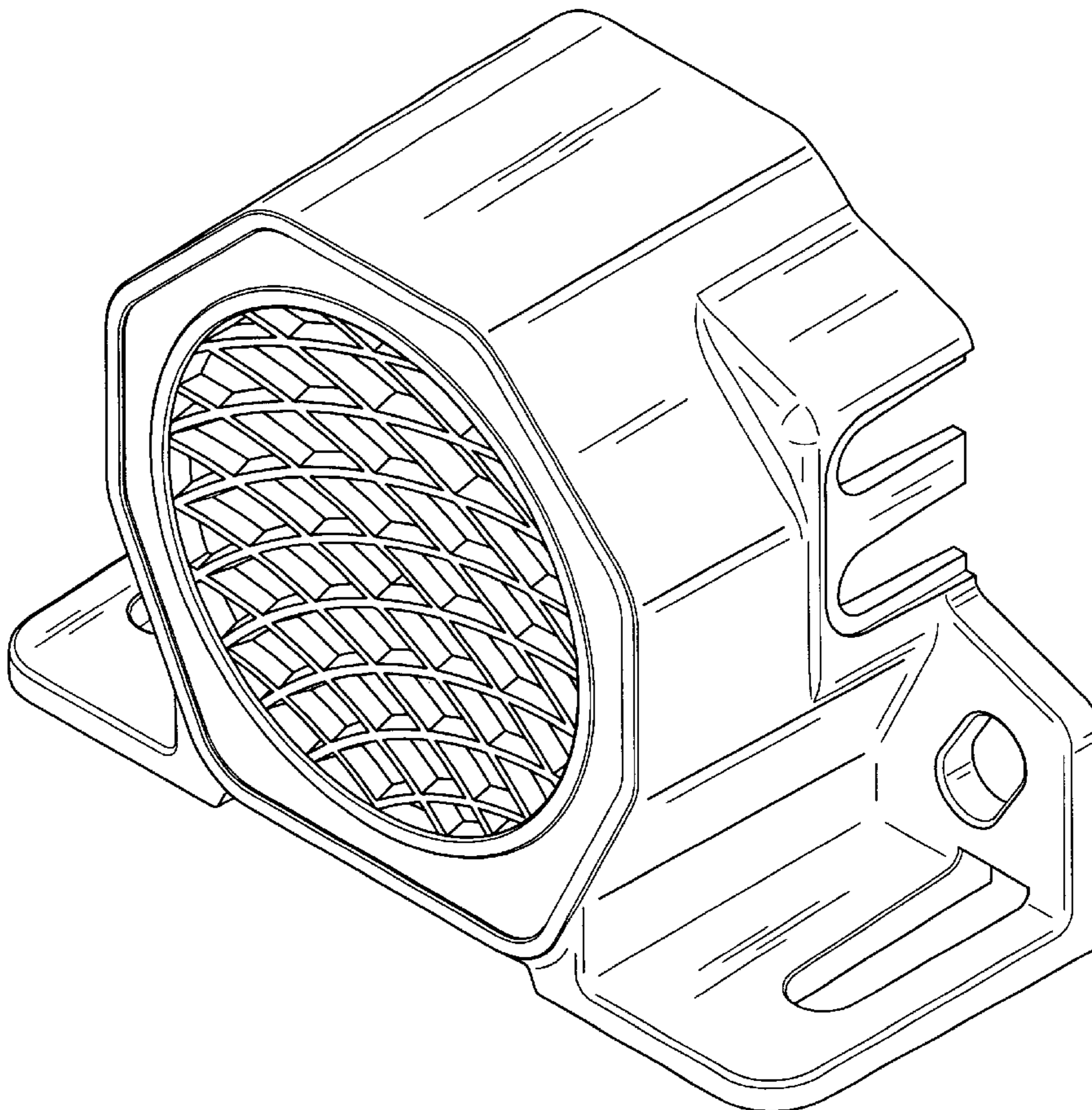
(57) **CLAIM**

The ornamental design for the backup alarm design, as shown and described.

**DESCRIPTION**

FIG. 1 is a perspective view of an audible alarm grill showing my new design; FIG. 2 is a front view thereof; FIG. 3 is a top view thereof; FIG. 4 is a side view thereof; FIG. 5 is a back view thereof; FIG. 6 is a side view thereof; and, FIG. 7 is a bottom view thereof.

**1 Claim, 7 Drawing Sheets**



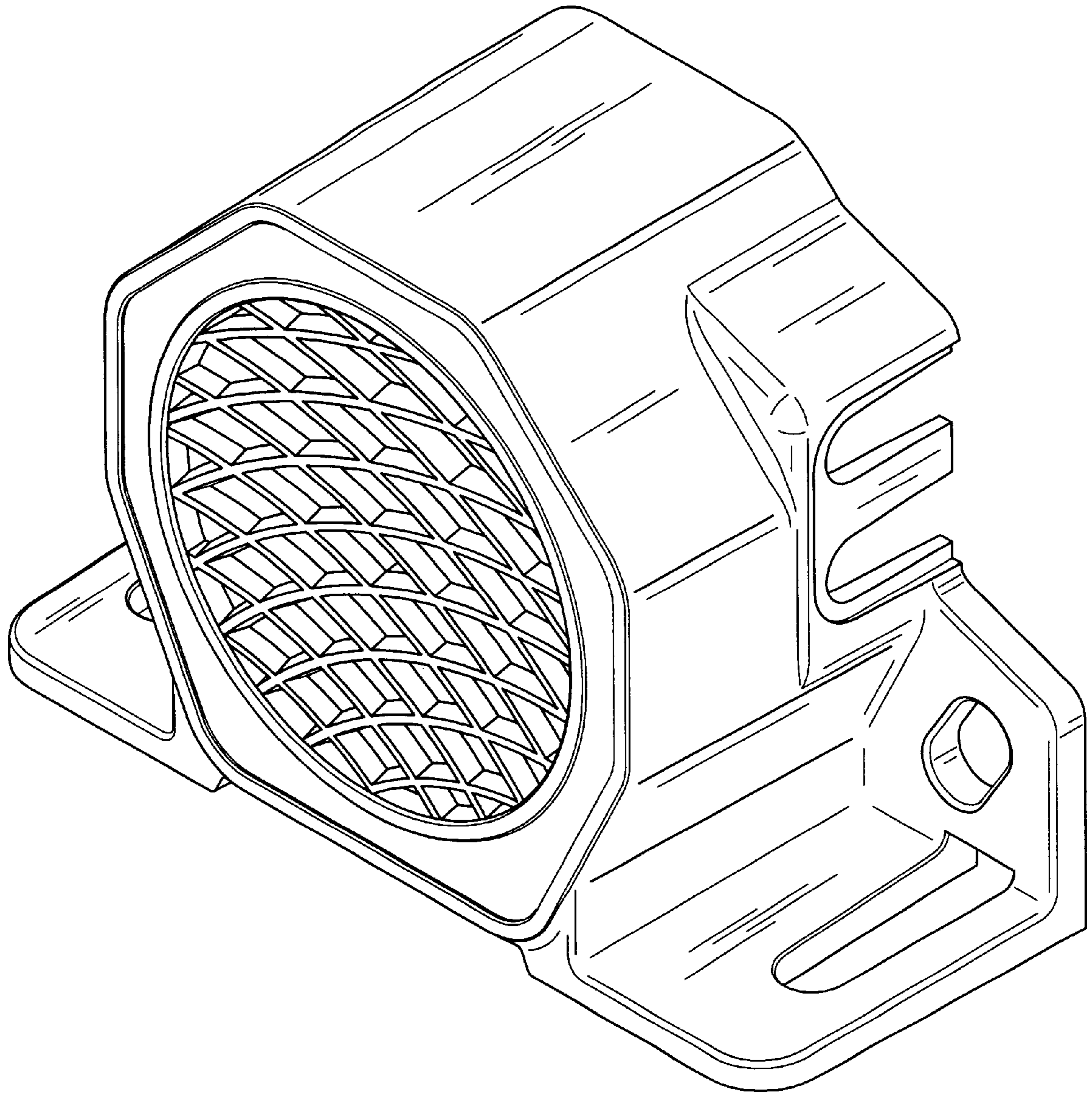


FIG. 1



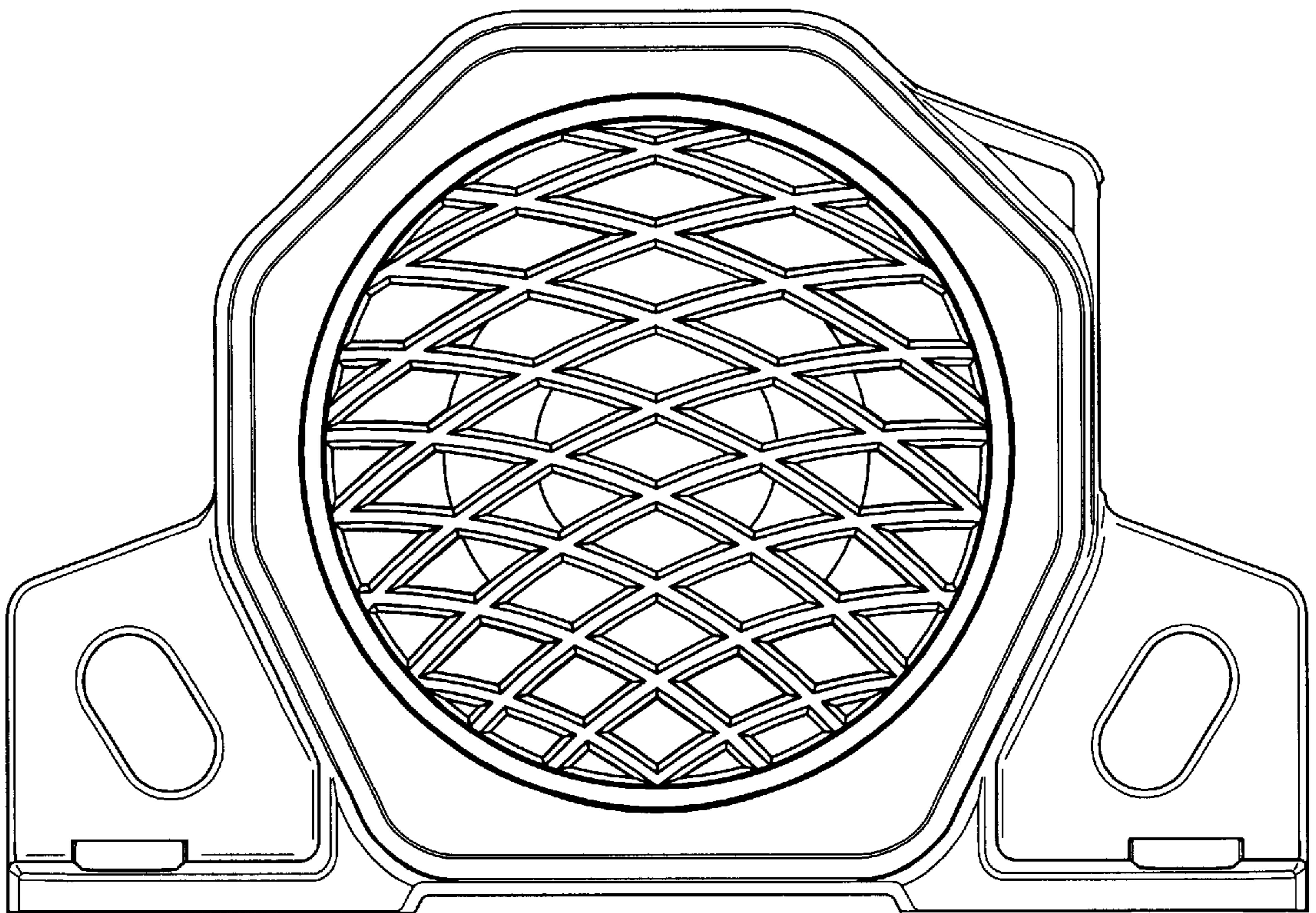


FIG. 2

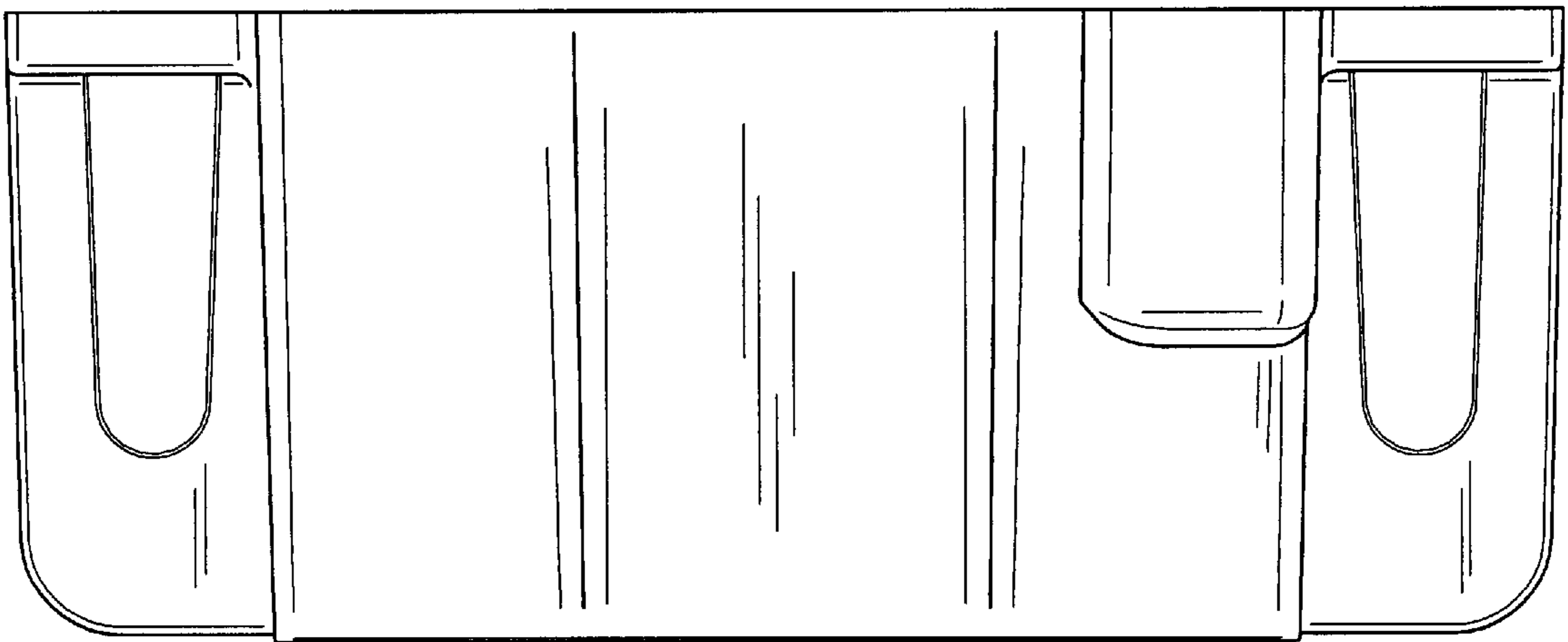


FIG. 3

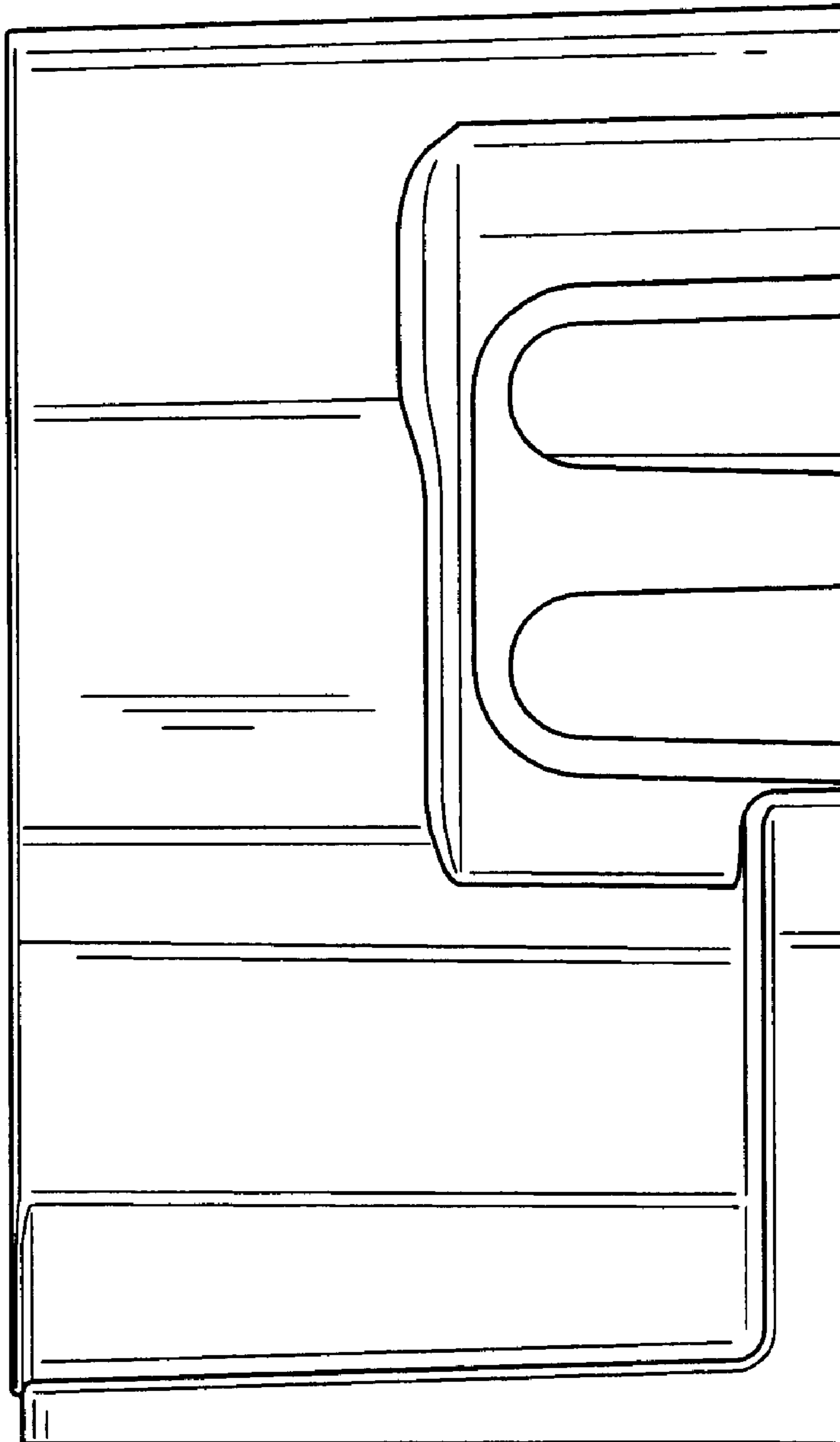


FIG. 4

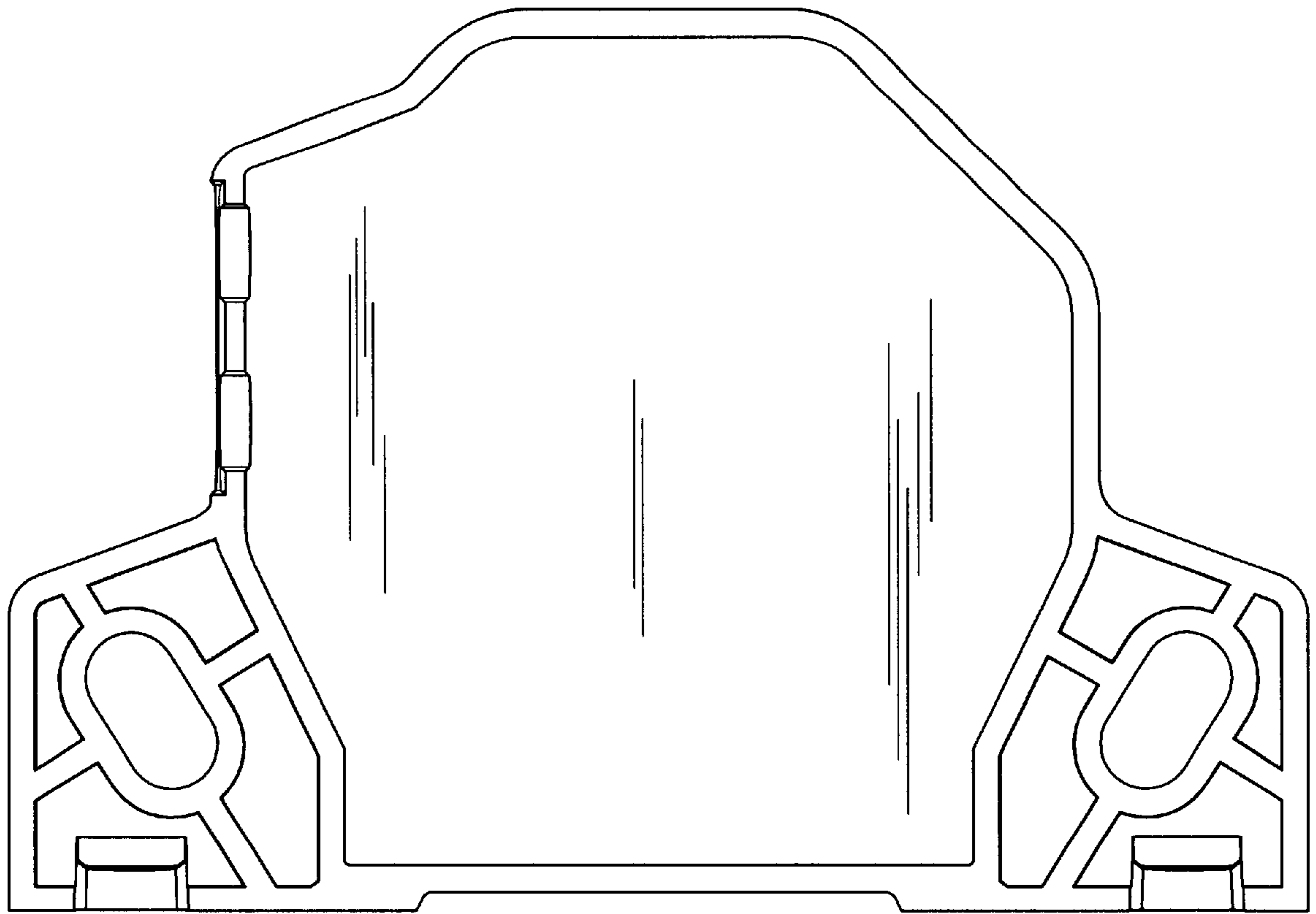


FIG. 5

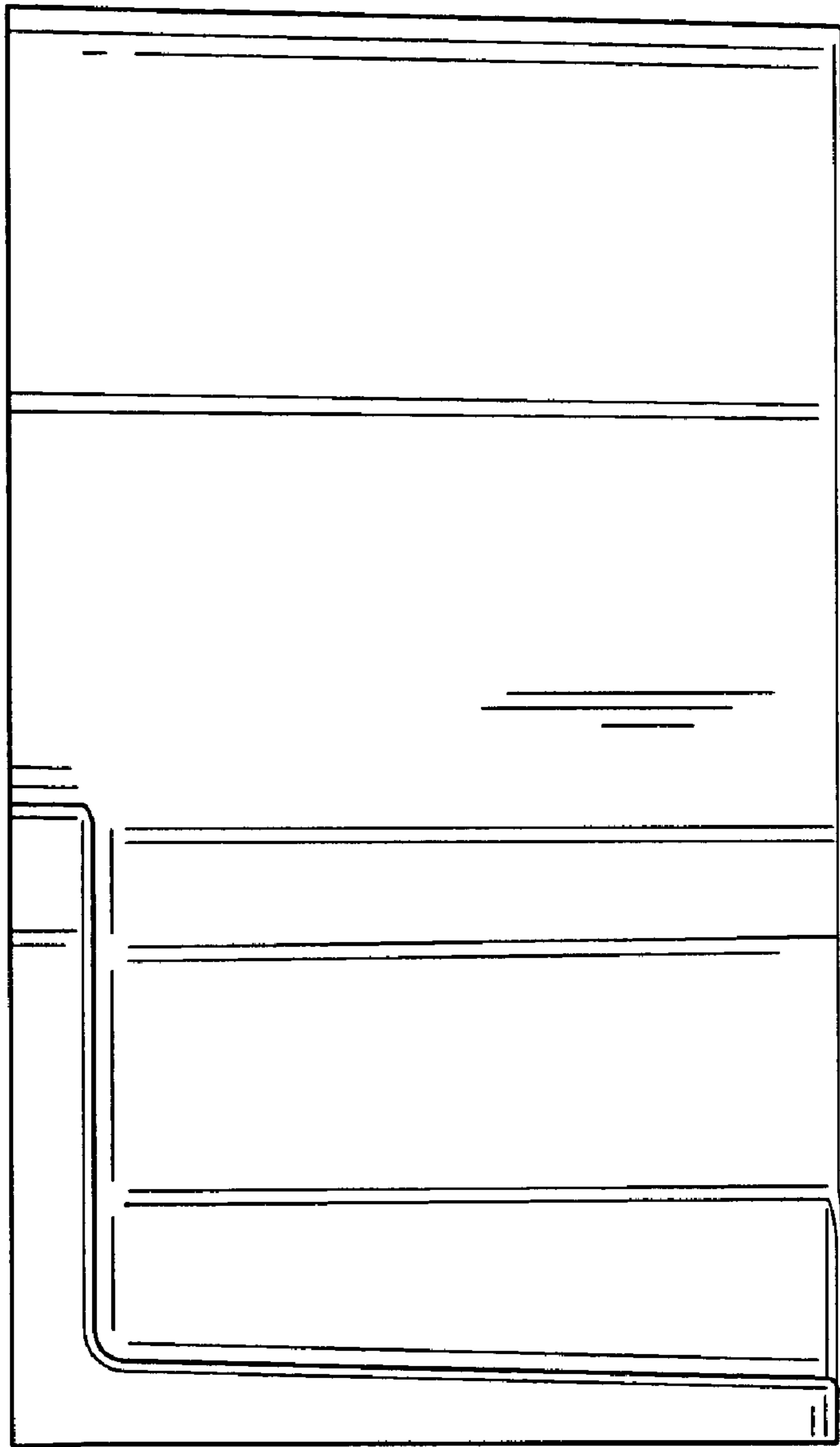


FIG. 6

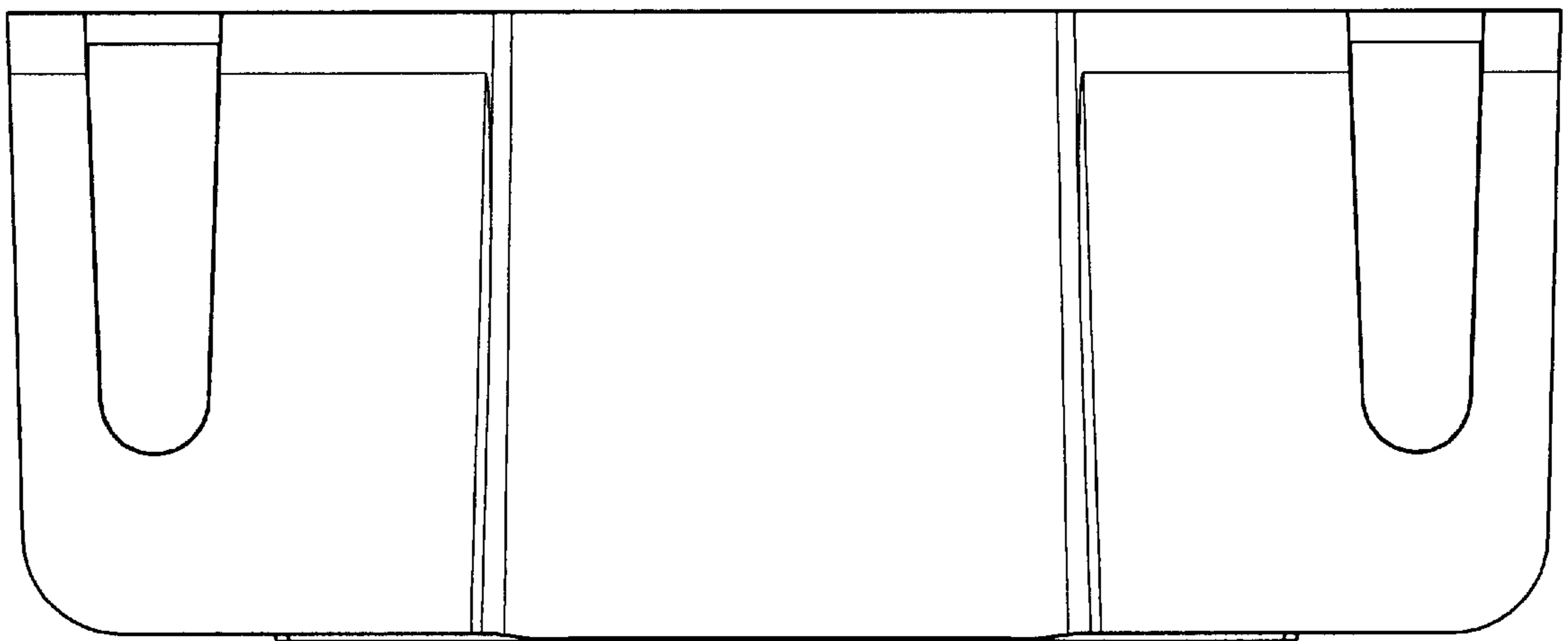


FIG. 7