



US00D485198S

(12) **United States Design Patent**
Islava

(10) **Patent No.:** **US D485,198 S**
(45) **Date of Patent:** **** Jan. 13, 2004**

(54) **DUAL FLOW RATE GAS REGULATOR**

(75) **Inventor:** **Steven T Islava**, Newport Beach, CA (US)

(73) **Assignee:** **STI Medical Products**, Costa Mesa, CA (US)

(**) **Term:** **14 Years**

(21) **Appl. No.:** **29/168,413**

(22) **Filed:** **Oct. 1, 2002**

(51) **LOC (7) Cl.** **10-04**

(52) **U.S. Cl.** **D10/96**

(58) **Field of Search** D10/85, 96; 137/505.41,
137/505.42, 505.18, 505.25; 128/205.24;
73/861.04, 861.07

(56) **References Cited**

U.S. PATENT DOCUMENTS

2,544,991 A	3/1951	Holmes	128/141
D195,070 S	4/1963	Lecocq	
D218,921 S	10/1970	Lecocq	
D259,734 S	* 6/1981	Cerrato	D10/96
4,510,930 A	4/1985	Garcia	128/202.22
4,782,861 A	11/1988	Ross et al.	137/613
4,944,292 A	7/1990	Gaeke et al.	128/204.18
D315,971 S	4/1991	Molzan	D29/6
5,598,869 A	2/1997	Nelson	137/505.11
5,632,268 A	5/1997	Ellis et al.	128/204.18
D382,053 S	8/1997	Pellerito	D24/110.6
5,755,224 A	5/1998	Good et al.	128/205.24
5,785,050 A	7/1998	Davidson et al.	128/205.24

D409,745 S	5/1999	Niemczyk	D24/110.6
5,899,223 A	5/1999	Shuman et al.	137/505.25
D418,599 S	1/2000	McCombs et al.	D24/110.6
6,062,258 A	* 5/2000	Diehl	137/505.41
6,082,396 A	7/2000	Davidson	137/505.25
6,116,242 A	9/2000	Frye et al.	128/205.24
6,189,531 B1	2/2001	Tatarek	128/205.24
D442,277 S	5/2001	Pryor	D24/110.6
6,286,543 B1	9/2001	Davidson	137/505.25
6,340,034 B1	1/2002	Arnott et al.	137/883
2002/0023648 A1	2/2002	Komesarof	
2002/0040733 A1	4/2002	Balazy et al.	

* cited by examiner

Primary Examiner—Antoine Duval Davis

(74) *Attorney, Agent, or Firm*—Reed Smith Crosby Heafey

(57) **CLAIM**

The ornamental design for a dual flow rate gas regulator, as shown and described.

DESCRIPTION

FIG. 1 is a perspective view of a first embodiment of the inventive regulator.
 FIG. 2 is a perspective view of the embodiment of FIG. 1 as viewed from below.
 FIG. 3 is a perspective view of the embodiment of FIG. 1 as viewed from above.
 FIG. 4 is a perspective side view of the embodiment of FIG. 1 as viewed from the right of FIG. 1; and,
 FIG. 5 is a perspective side view of the embodiment of FIG. 1 as viewed from the left of FIG. 1.

1 Claim, 3 Drawing Sheets

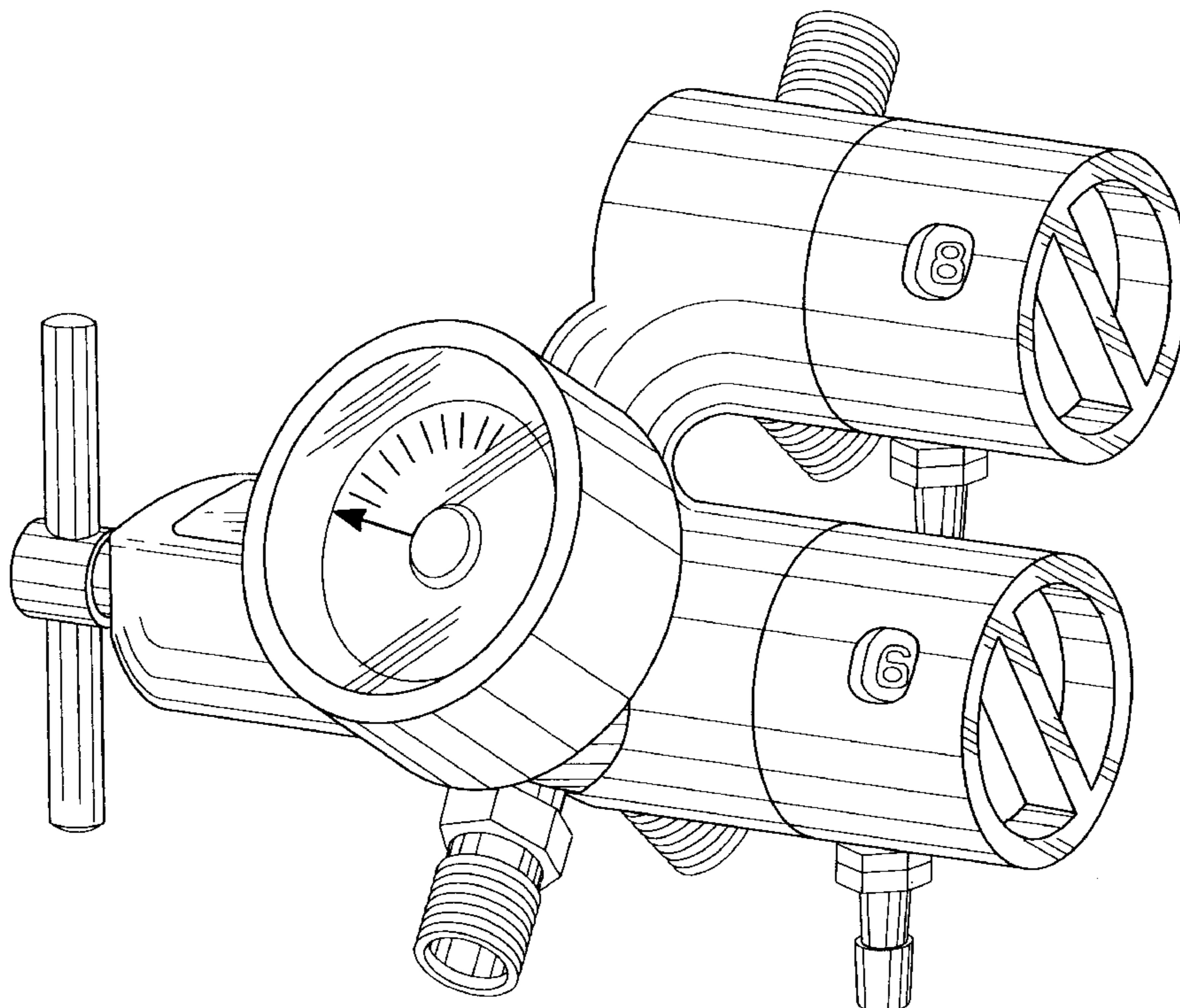
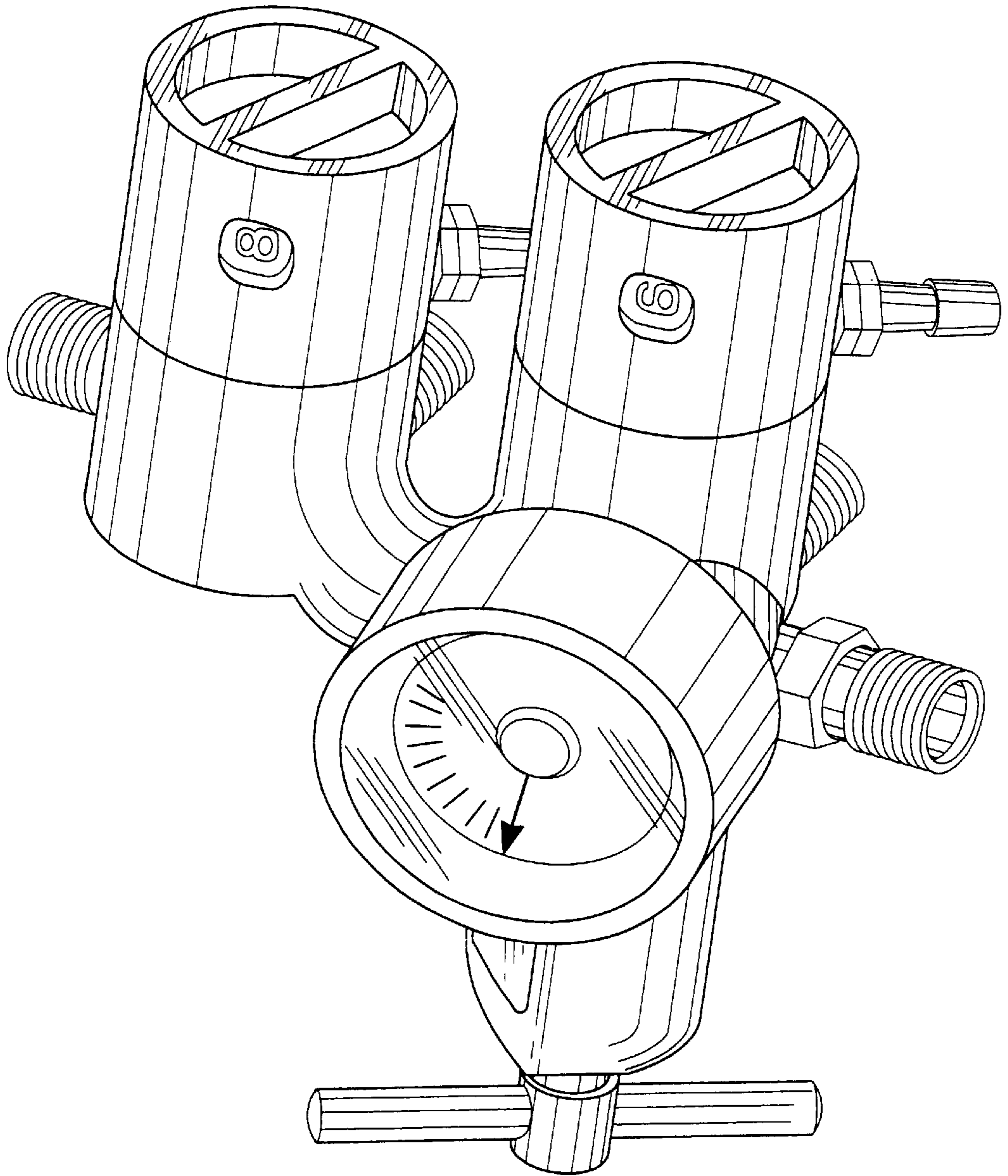


FIG. 1



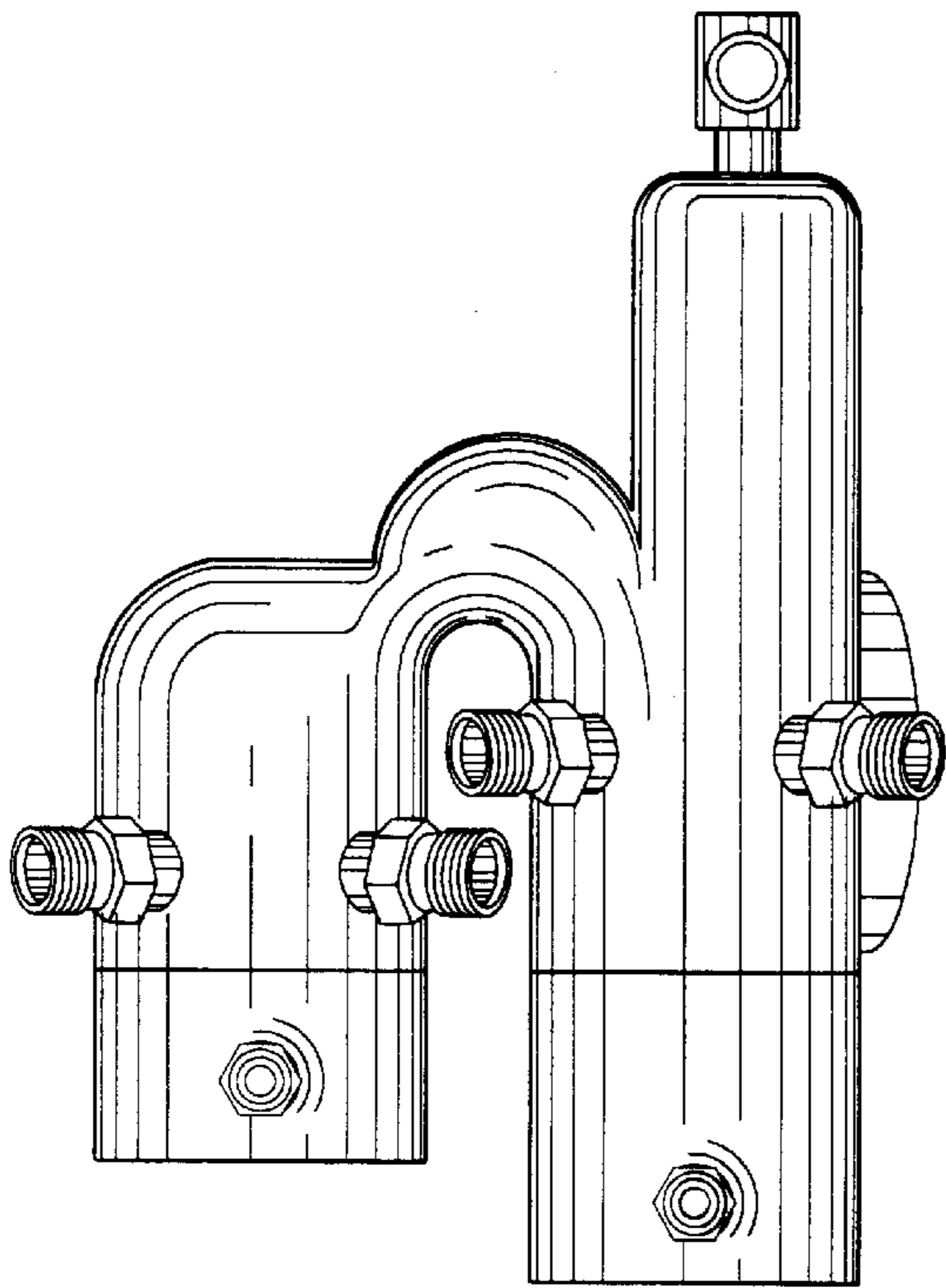


FIG. 2

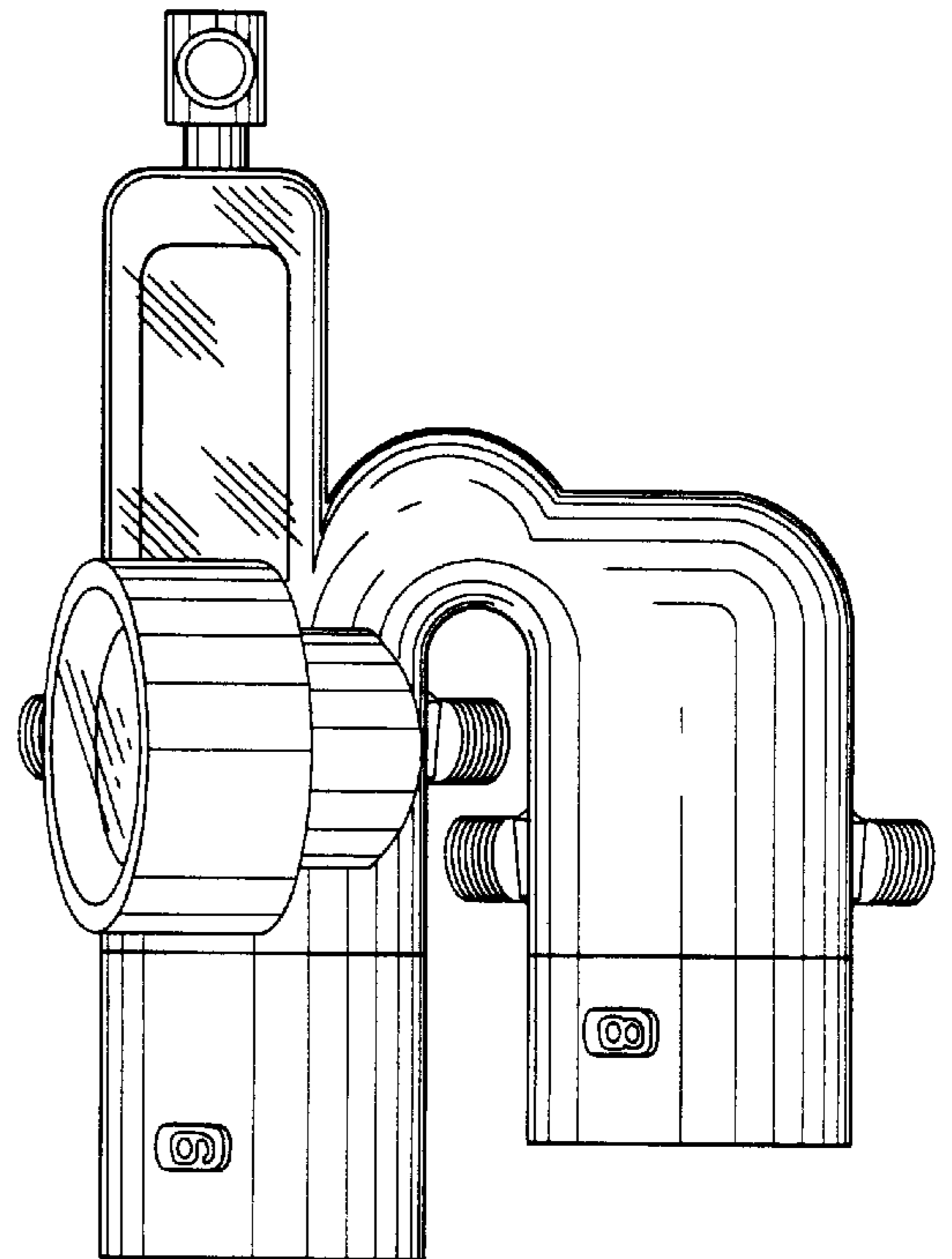


FIG. 3

FIG. 4

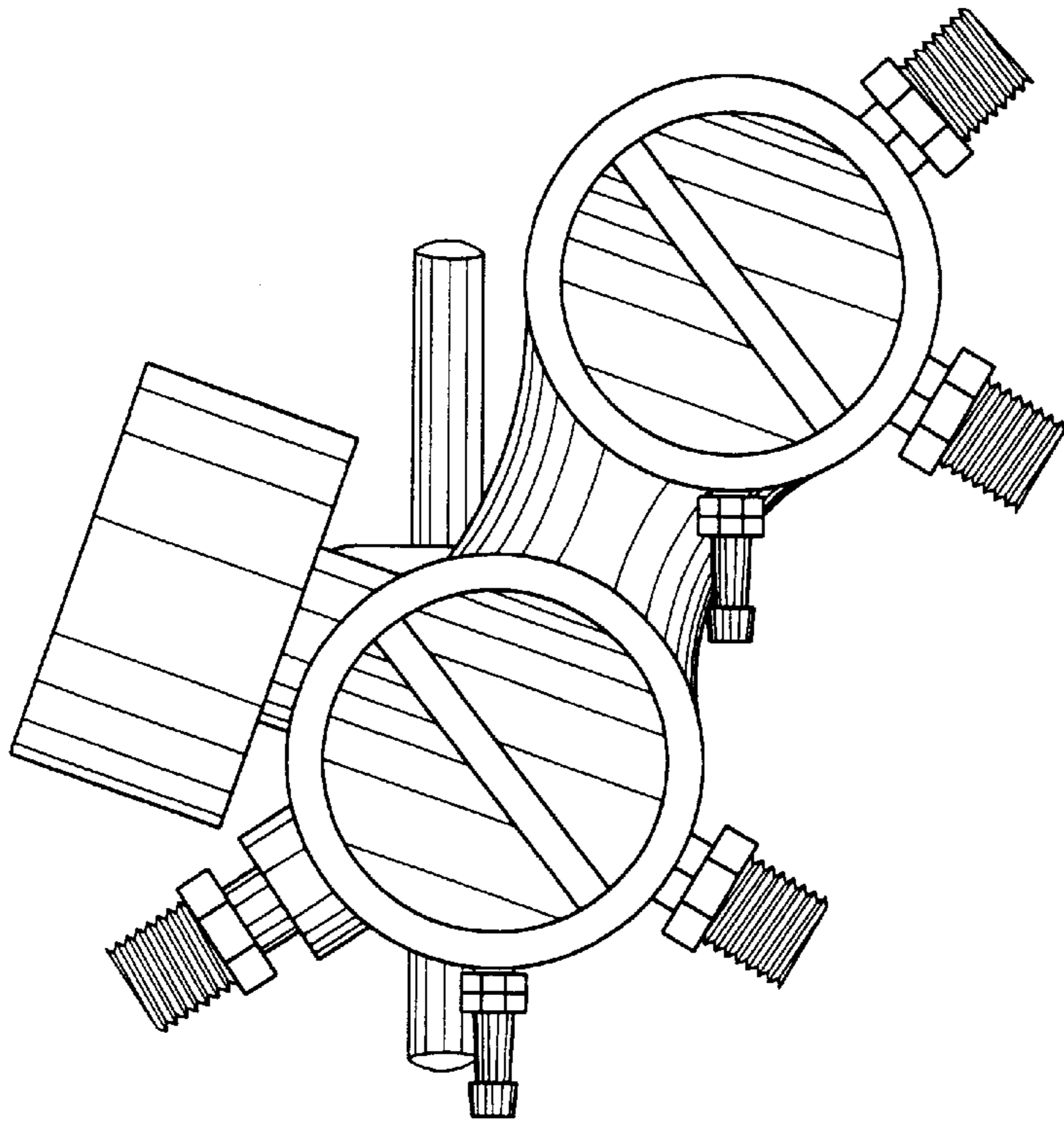


FIG. 5

