



US00D485192S

(12) **United States Design Patent**  
**Chang et al.**

(10) **Patent No.:** **US D485,192 S**

(45) **Date of Patent:** **\*\* Jan. 13, 2004**

(54) **ELECTRONIC DEVICE**

(75) **Inventors:** **Chee Ann Chang**, Hong Kong (CN);  
**Kai Wai Wu**, Hong Kong (CN); **Wai Man Yuen**, Hong Kong (CN)

(73) **Assignee:** **Ewig Industries Co., Ltd.**, Hong Kong (CN)

(\*\*) **Term:** **14 Years**

(21) **Appl. No.:** **29/172,721**

(22) **Filed:** **Dec. 17, 2002**

(51) **LOC (7) Cl.** ..... **10-01**

(52) **U.S. Cl.** ..... **D10/15; D10/1; D10/103**

(58) **Field of Search** ..... **D10/1-40, 122-132; 368/28-30, 41-44, 82-84, 239-242, 276-277, 280-282, 285; D14/171**

(56) **References Cited**

**U.S. PATENT DOCUMENTS**

- D113,794 S \* 3/1939 Shafer ..... D10/96
- D287,946 S \* 1/1987 Tsuyama ..... D10/98
- D323,467 S \* 1/1992 Takashima ..... D10/28
- D347,182 S \* 5/1994 Wada ..... D10/28

- 5,381,388 A \* 1/1995 Beiswenger et al. .... 368/82
- D375,689 S \* 11/1996 Wong ..... D10/15
- D442,496 S \* 5/2001 Haupt ..... D10/4

\* cited by examiner

*Primary Examiner*—Nelson C. Holtje

(74) *Attorney, Agent, or Firm*—Lathrop & Gage L.C.

(57) **CLAIM**

The ornamental design for an electronic device, as shown and described.

**DESCRIPTION**

FIG. 1 is a perspective view of one embodiment of an electronic device, showing the new design;

FIG. 2 is a front elevational view of the electronic device of FIG. 1;

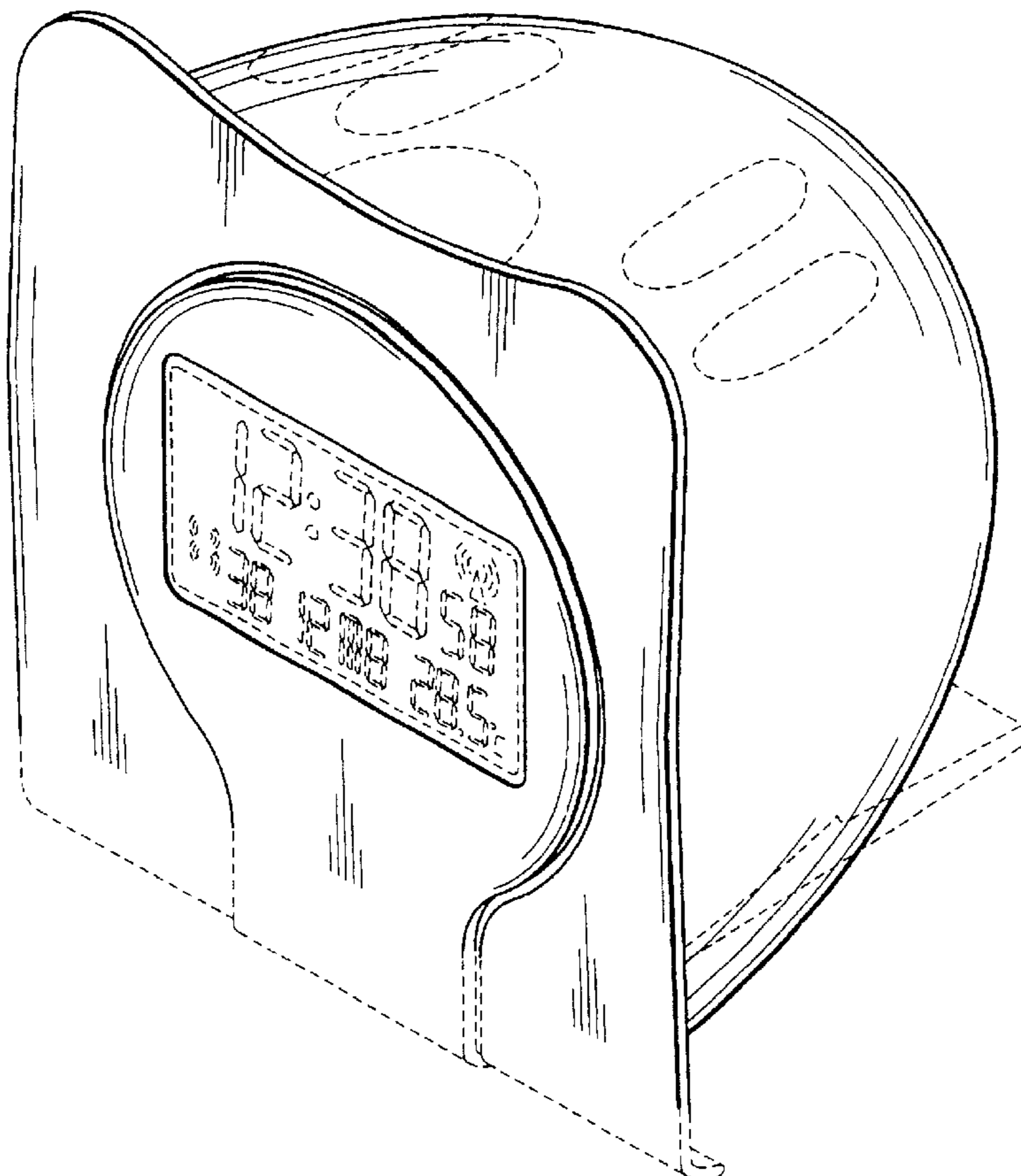
FIG. 3 is a top plan view of the electronic device of FIG. 1;

FIG. 4 is a rear elevational view of the electronic device of FIG. 1; and,

FIG. 5 is a right side elevational view of the electronic device of FIG. 1.

The broken line showing the remainder of the electronic device is for illustrative purposes only and forms no part of the claimed design.

**1 Claim, 3 Drawing Sheets**



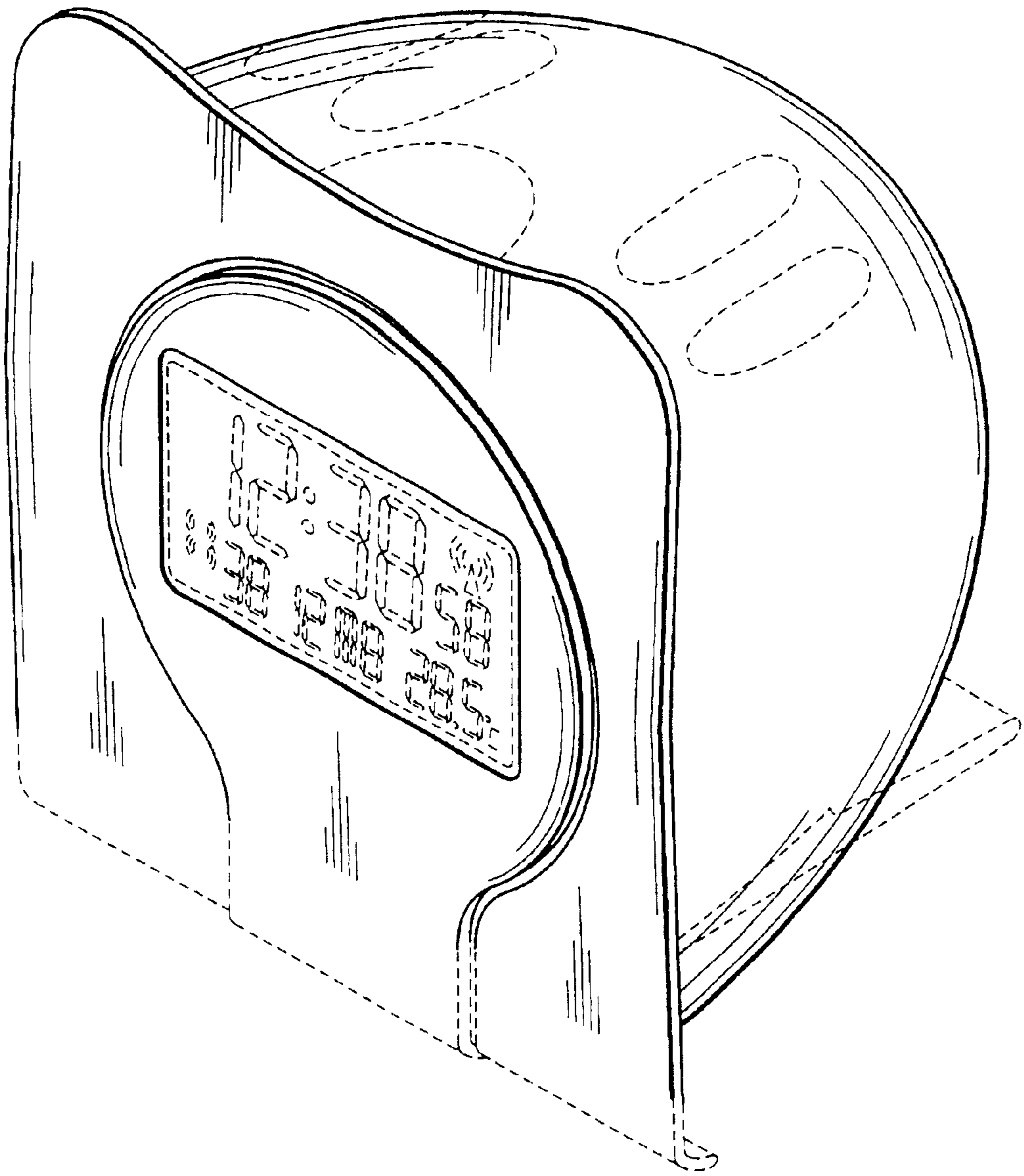


FIG. 1

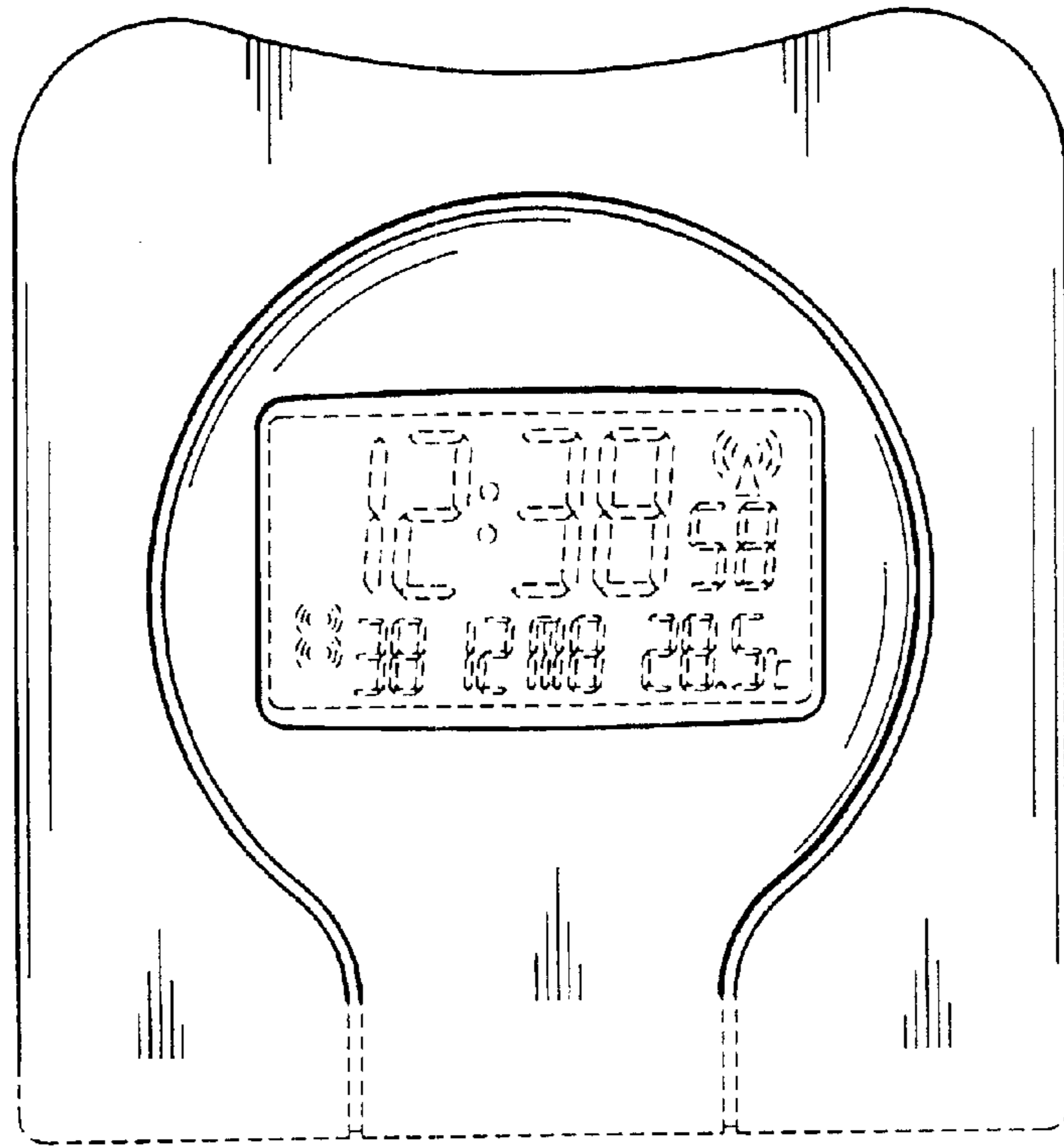


FIG. 2

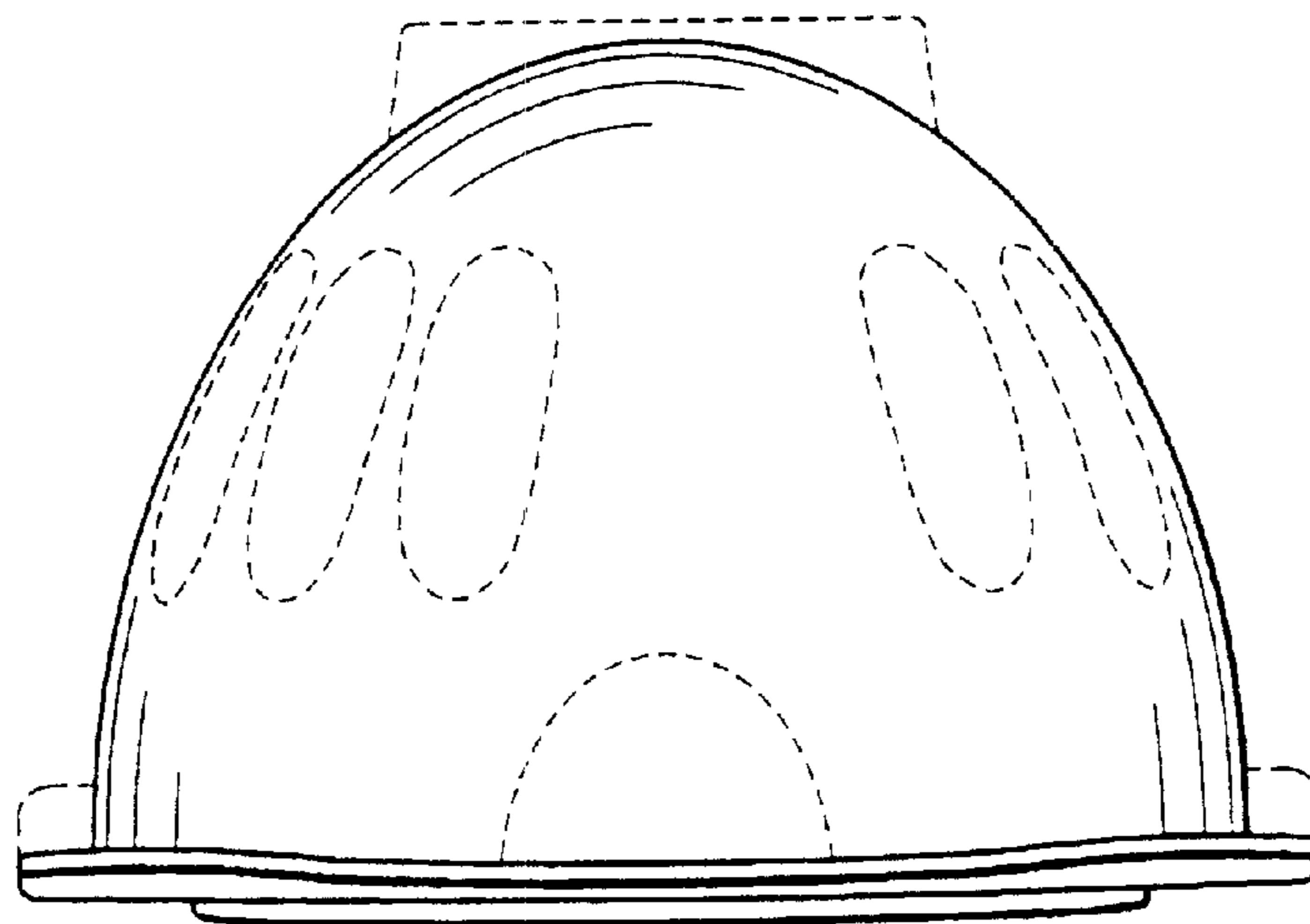


FIG. 3

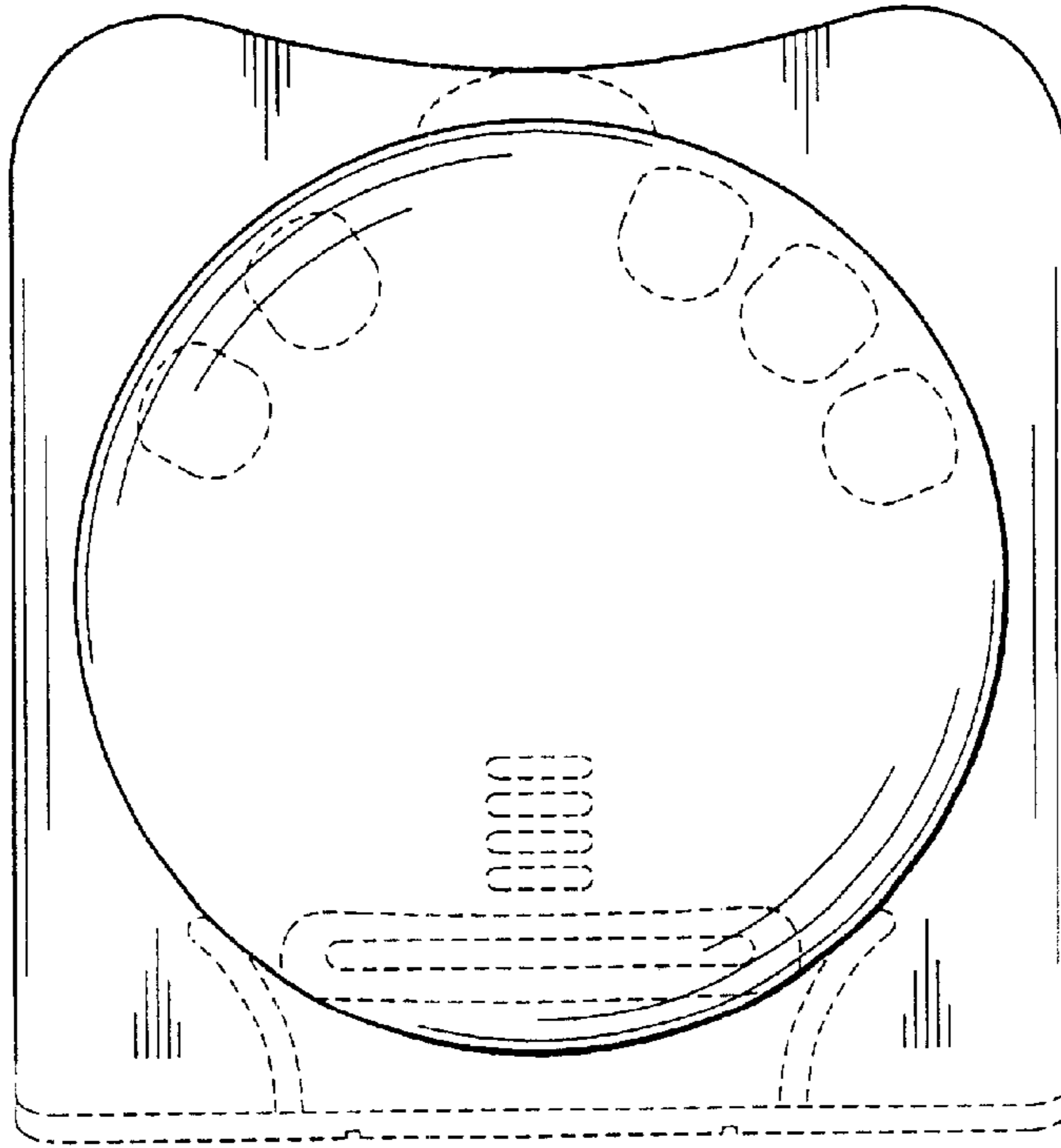


FIG. 4

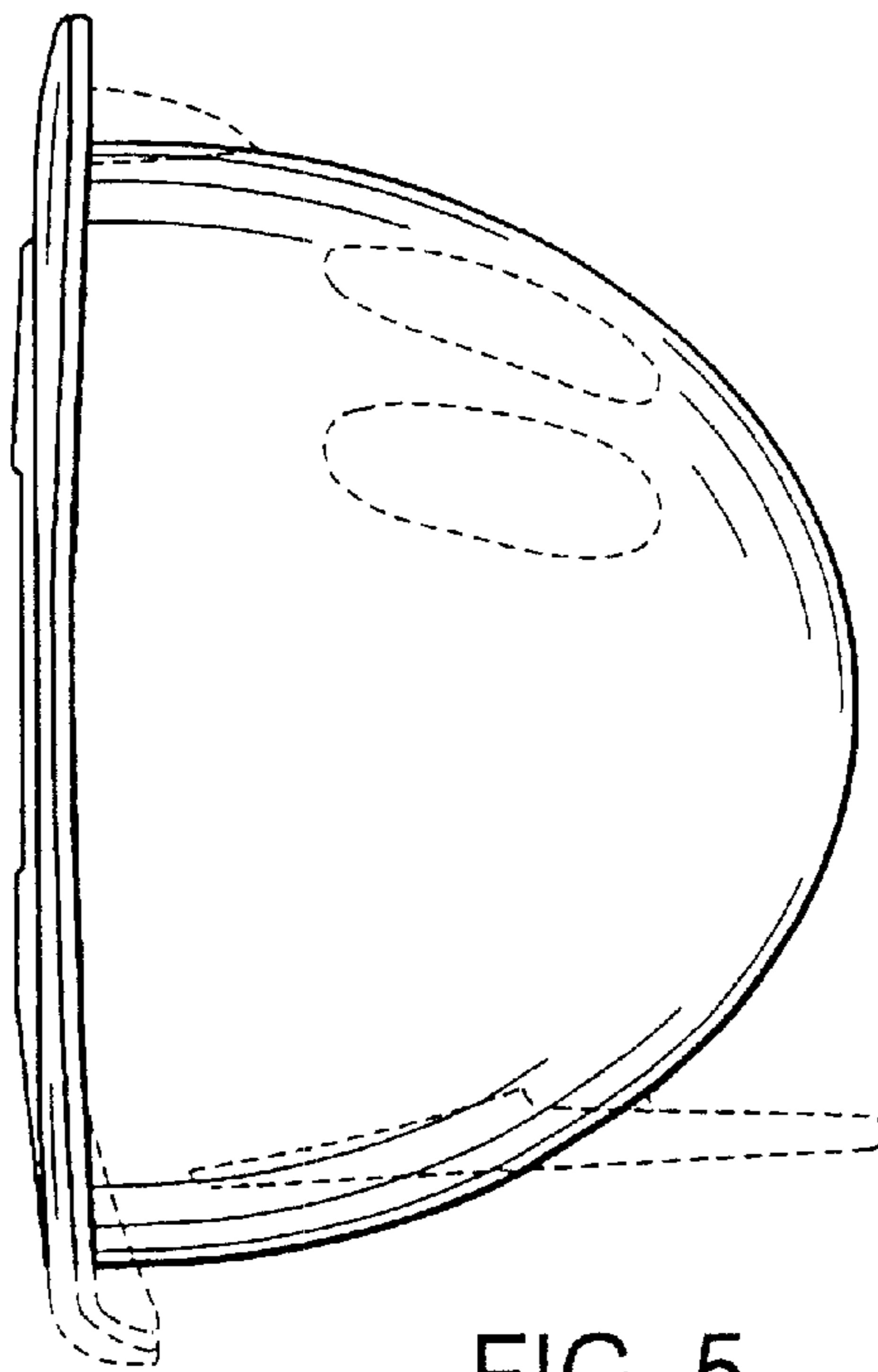


FIG. 5