



US00D485181S

(12) **United States Design Patent**  
**Yourist**

(10) **Patent No.:** **US D485,181 S**

(45) **Date of Patent:** **\*\* Jan. 13, 2004**

(54) **CONTAINER CLOSURE**

(75) Inventor: **Sheldon Yourist**, York, PA (US)

(73) Assignee: **Graham Packaging Company L.P.**,  
York, PA (US)

(\*\*) Term: **14 Years**

(21) Appl. No.: **29/176,498**

(22) Filed: **Feb. 25, 2003**

(51) **LOC (7) Cl.** ..... **09-07**

(52) **U.S. Cl.** ..... **D9/454; D9/435; D9/452**

(58) **Field of Search** ..... **D9/434, 452, 454,**  
**D9/435; 220/280, 288; 215/200, 356, 334**

(56) **References Cited**

**U.S. PATENT DOCUMENTS**

D89,809 S \* 5/1933 Von Till ..... D9/452  
1,981,414 A \* 11/1934 Hermani ..... 215/334

\* cited by examiner

*Primary Examiner*—Louis S. Zarfaz

*Assistant Examiner*—Gregory Andoll

(74) *Attorney, Agent, or Firm*—Venable LLP; Keith G.  
Haddaway; Chad C. Anderson

(57) **CLAIM**

The ornamental design for a container closure, as shown and described.

**DESCRIPTION**

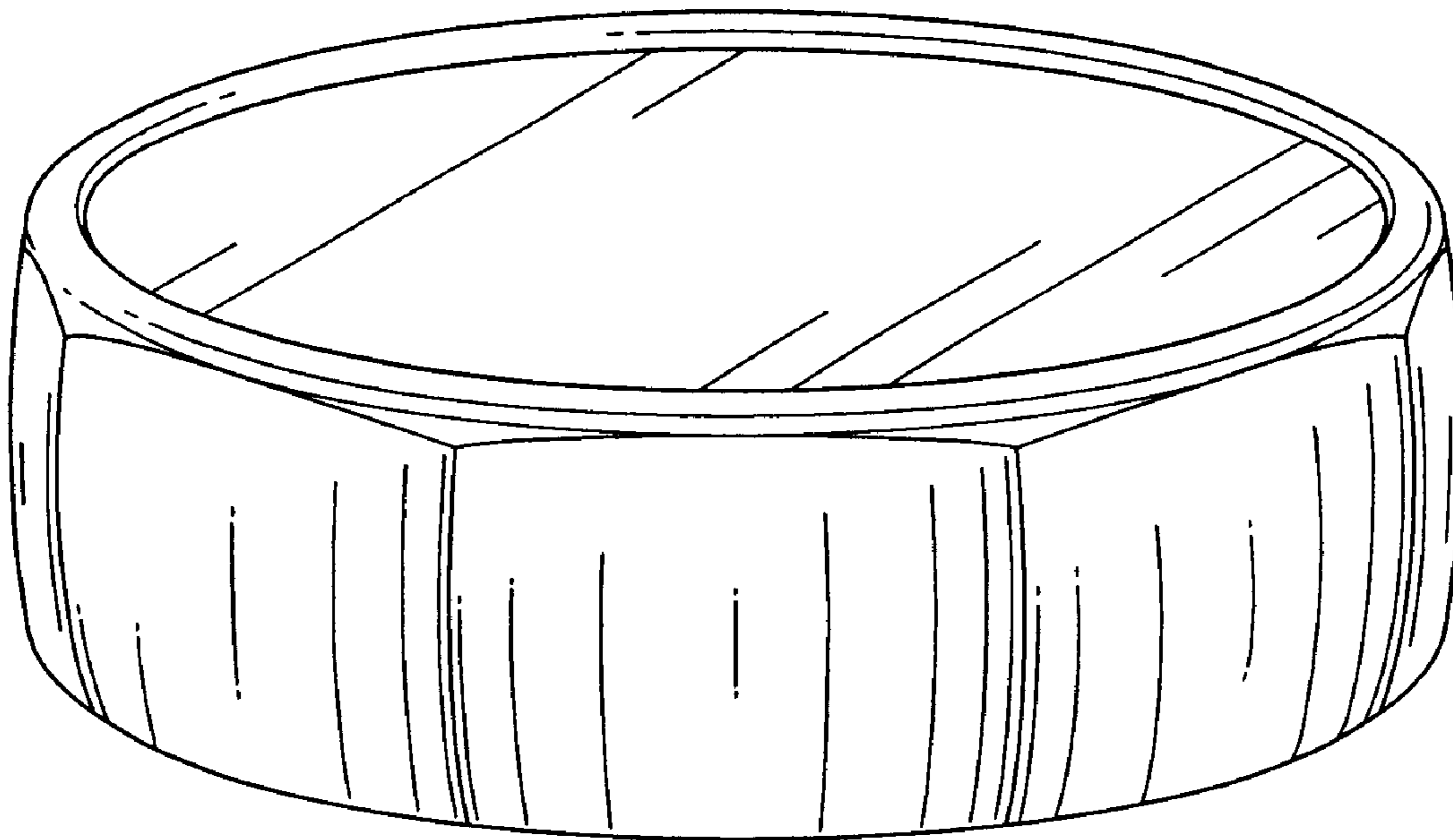
FIG. 1 is a perspective view taken from the top and side of the container closure showing my design;

FIG. 2 is a side elevation view of the container closure of FIG. 1; and,

FIG. 3 is a top plan view of the container closure of FIG. 1.

All side views of the container closure are identical.

**1 Claim, 3 Drawing Sheets**



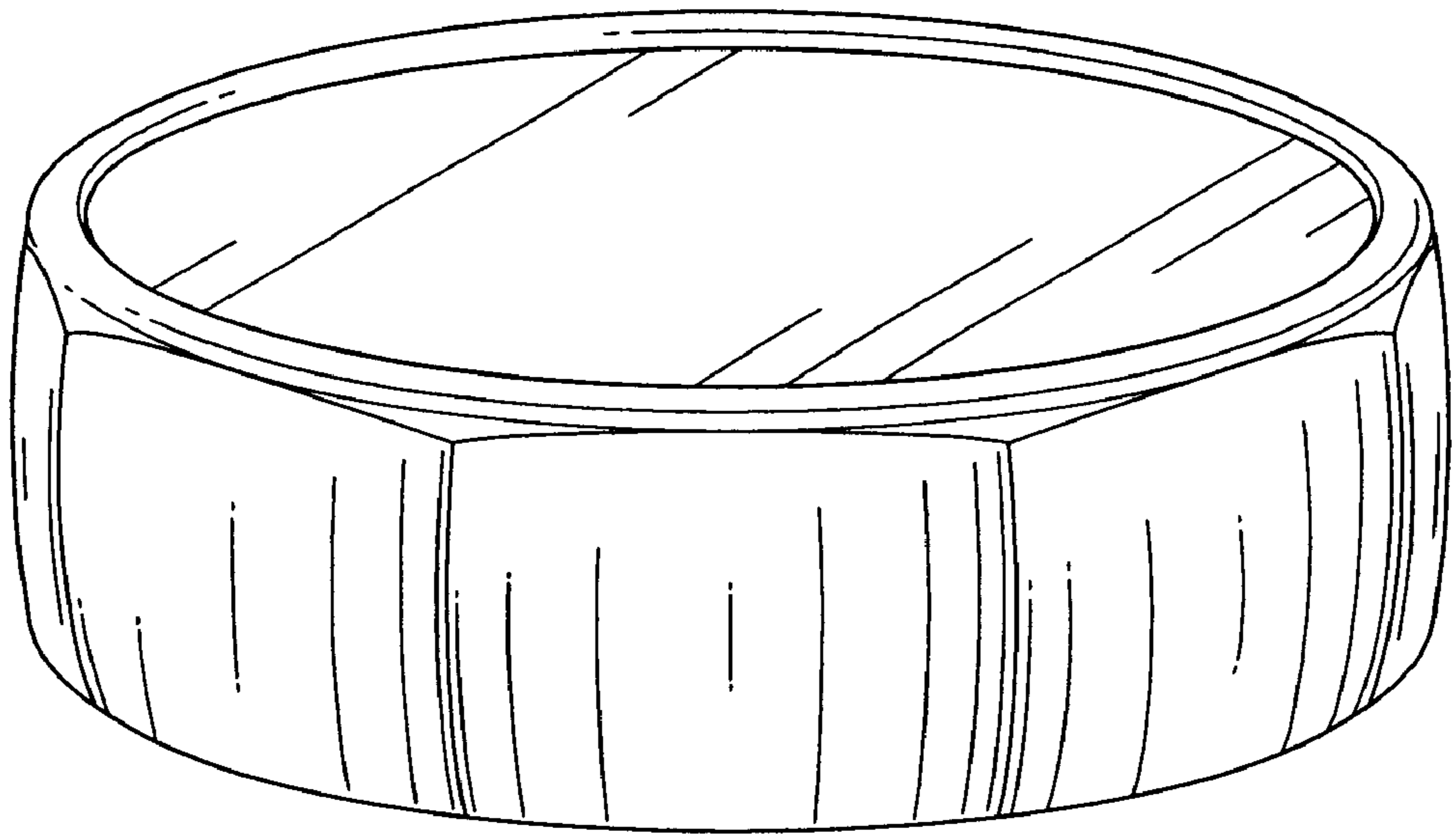


FIG. 1

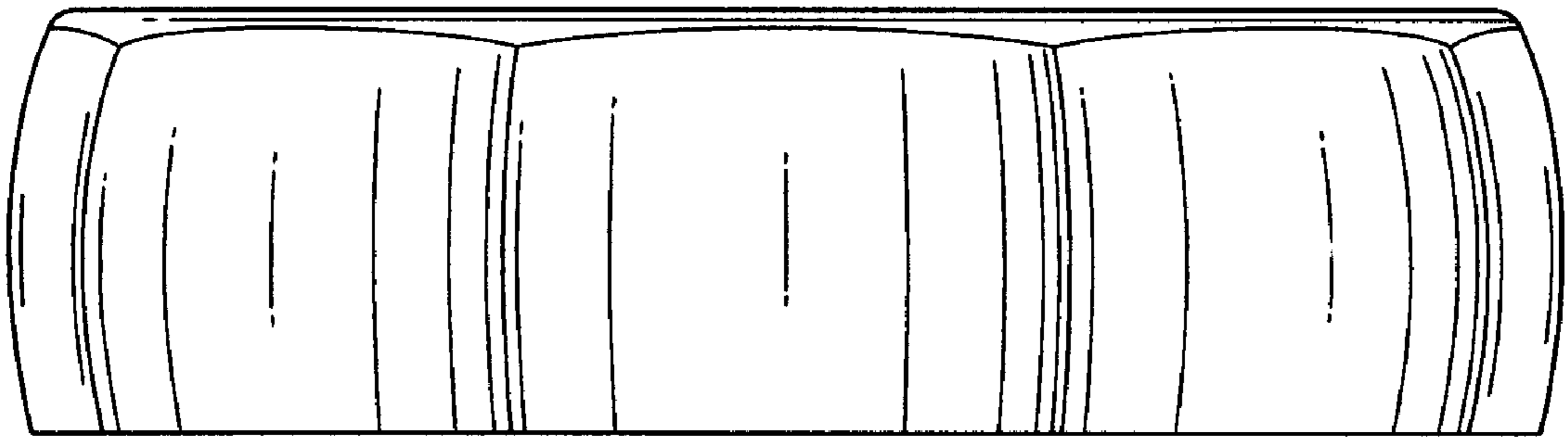


FIG. 2

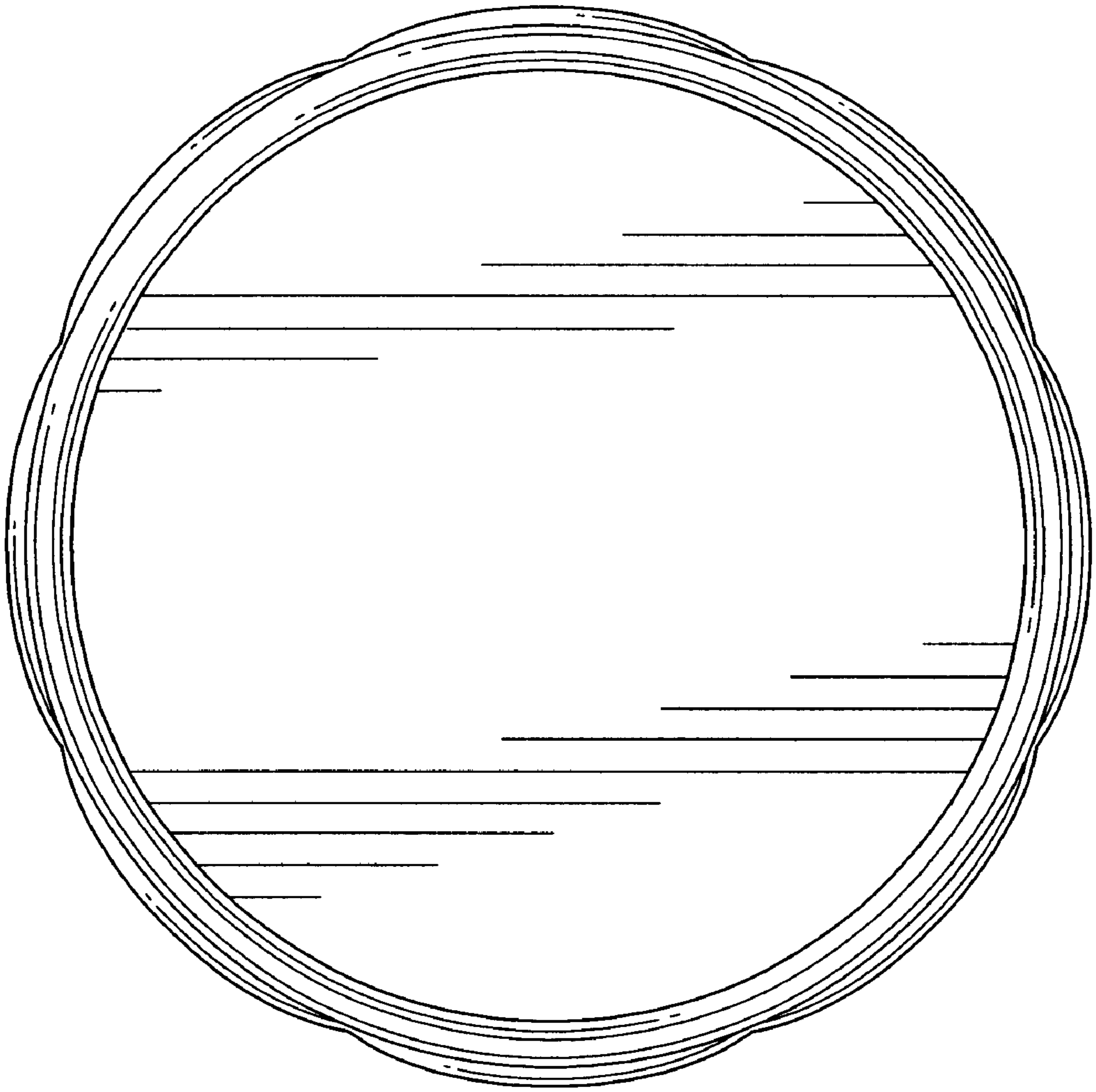


FIG. 3