



US00D485177S

(12) **United States Design Patent**
Hoffman et al.

(10) **Patent No.: US D485,177 S**

(45) **Date of Patent: ** *Jan. 13, 2004**

(54) **STACKABLE CARTON**

D320,557 S * 10/1991 Schuster D9/418
D398,841 S * 9/1998 Sargent et al. D9/339

(76) Inventors: **Roger P. Hoffman**, 2780 Queen Ann Ct., Green Bay, WI (US) 54304;
Ronald Hoffman, 3071 Albert Dr., Green Bay, WI (US) 54220

* cited by examiner

(*) Notice: This patent is subject to a terminal disclaimer.

Primary Examiner—Philip S. Hyder
Assistant Examiner—Daniel Bui
(74) *Attorney, Agent, or Firm*—Philip M. Weiss; Weiss + Weiss

(**) Term: **14 Years**

(57) **CLAIM**

(21) Appl. No.: **29/168,212**

The ornamental design for a stackable carton, as shown.

(22) Filed: **Sep. 27, 2002**

DESCRIPTION

(51) **LOC (7) Cl.** **09-03**

(52) **U.S. Cl.** **D9/433**

(58) **Field of Search** D9/420, 432, 433,
D9/499; 206/494, 527, 784; 220/62, 229;
229/100, 183, 185.1, 125.01, 117.07, 117.08,
186, 800

FIG. 1 is a top plan view of a stackable carton in an unassembled condition, showing my new design;
FIG. 2 is a greatly enlarged fragmentary perspective view, showing one corner thereof in a first assembled arrangement;
FIG. 3 is a greatly enlarged fragmentary perspective view similar to FIG. 2, showing a second alternate assembled arrangement;
FIG. 4 is a greatly enlarged fragmentary perspective view similar to FIG. 3, showing a third alternate assembled arrangement; and,
FIG. 5 is a perspective view thereof in partially assembled condition.

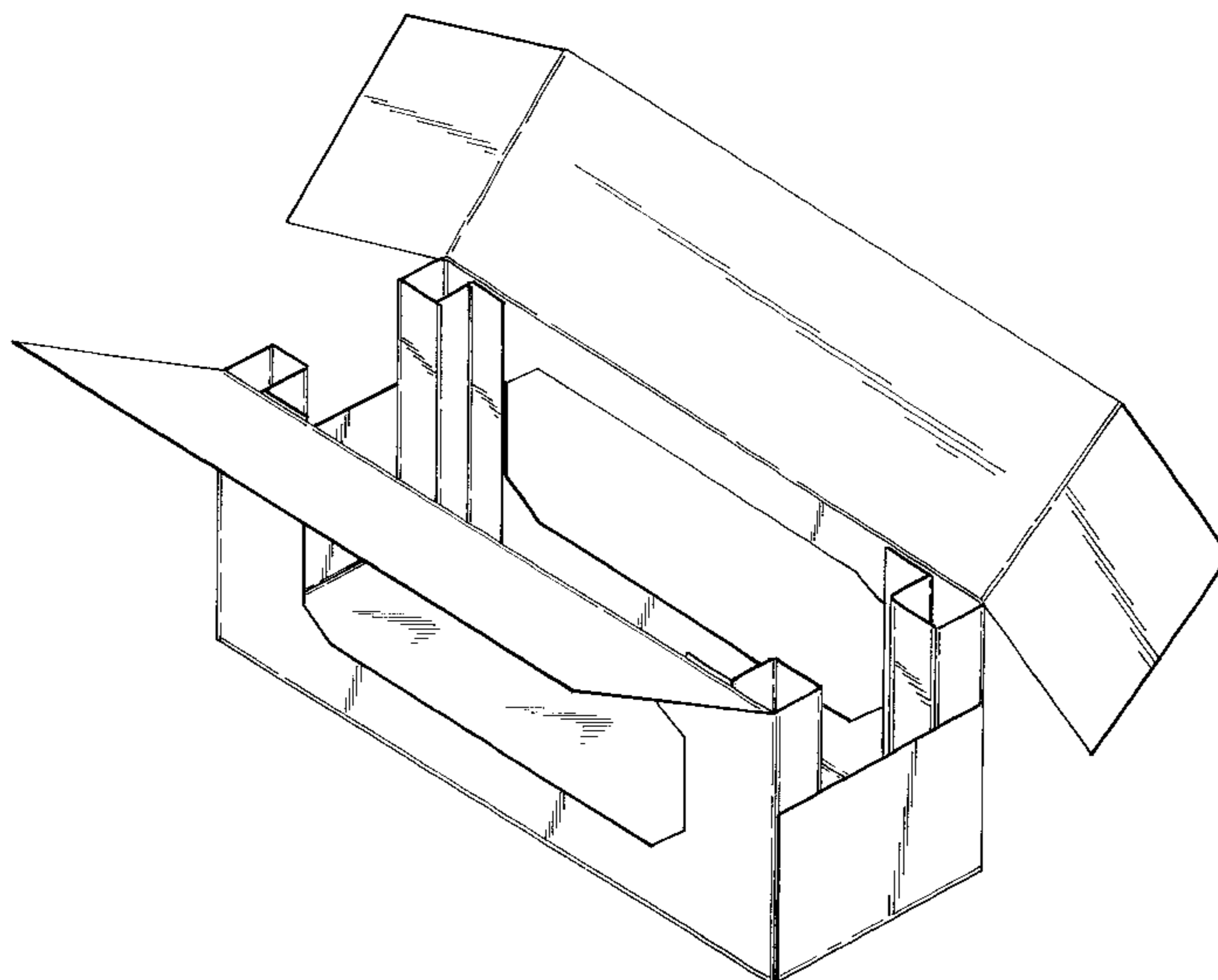
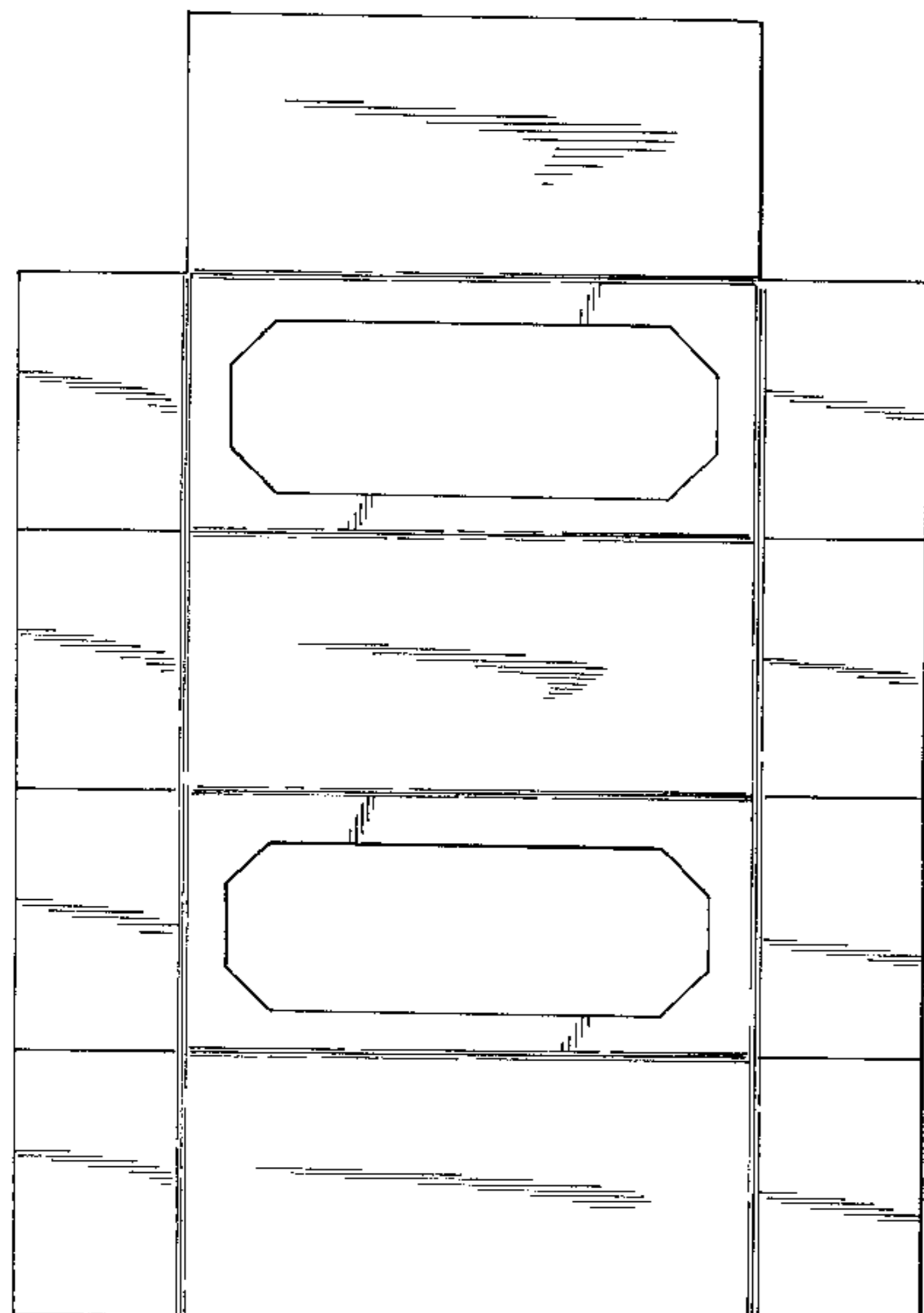
(56) **References Cited**

U.S. PATENT DOCUMENTS

- 3,024,958 A * 3/1962 Loderhose 229/17
- 3,204,853 A * 9/1965 Hoyne et al. 229/23
- 3,341,349 A * 9/1967 Feeney et al. 117/44
- 4,055,292 A * 10/1977 Hosoya 229/17 M
- 4,524,901 A * 6/1985 Tikka 229/220
- 5,000,717 A * 3/1991 Pfeiffer 446/488
- 5,042,653 A * 8/1991 Ems 206/247

The broken lines shown in all drawing views represent fold lines.

1 Claim, 3 Drawing Sheets



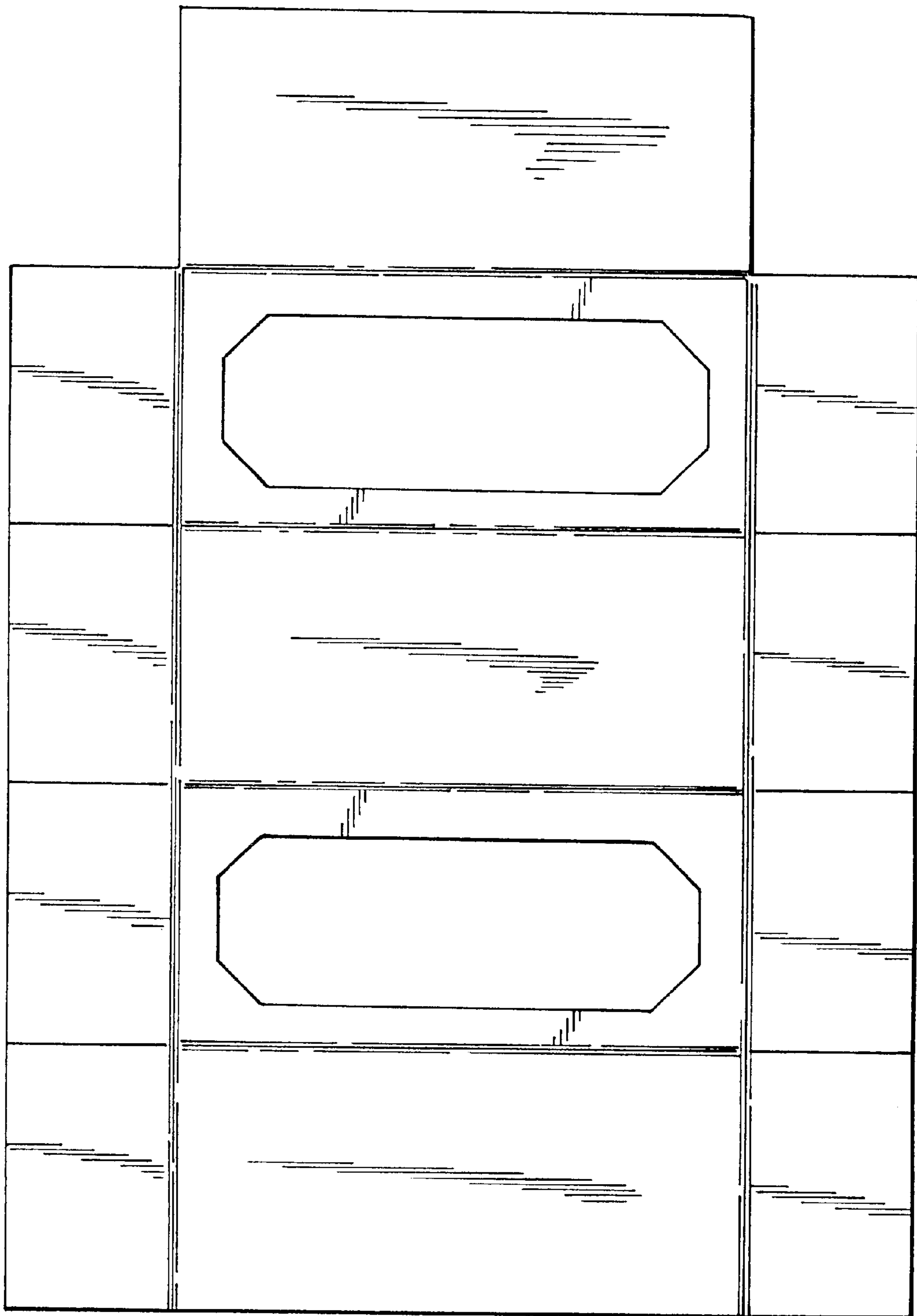


FIG. 1

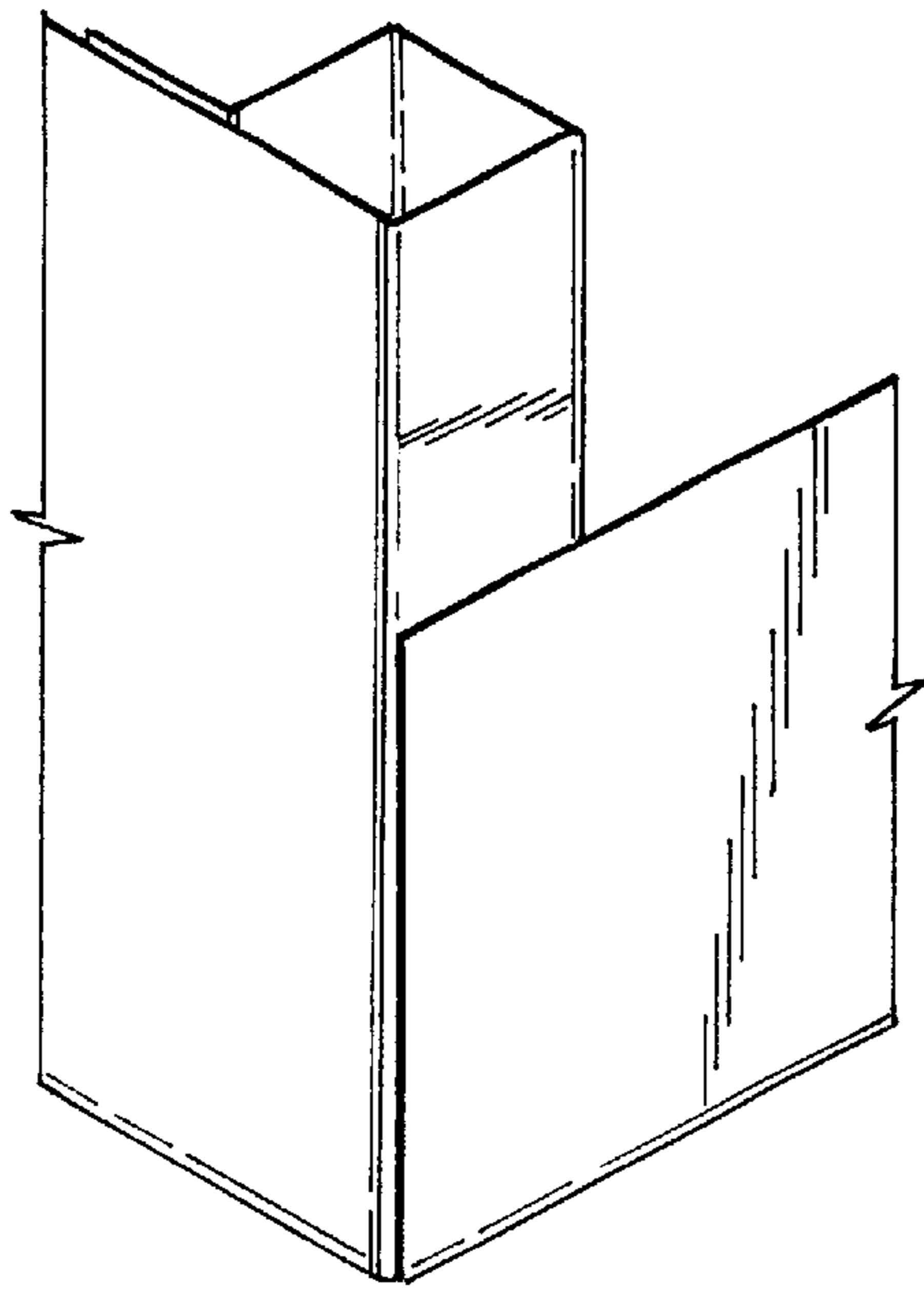


FIG. 2

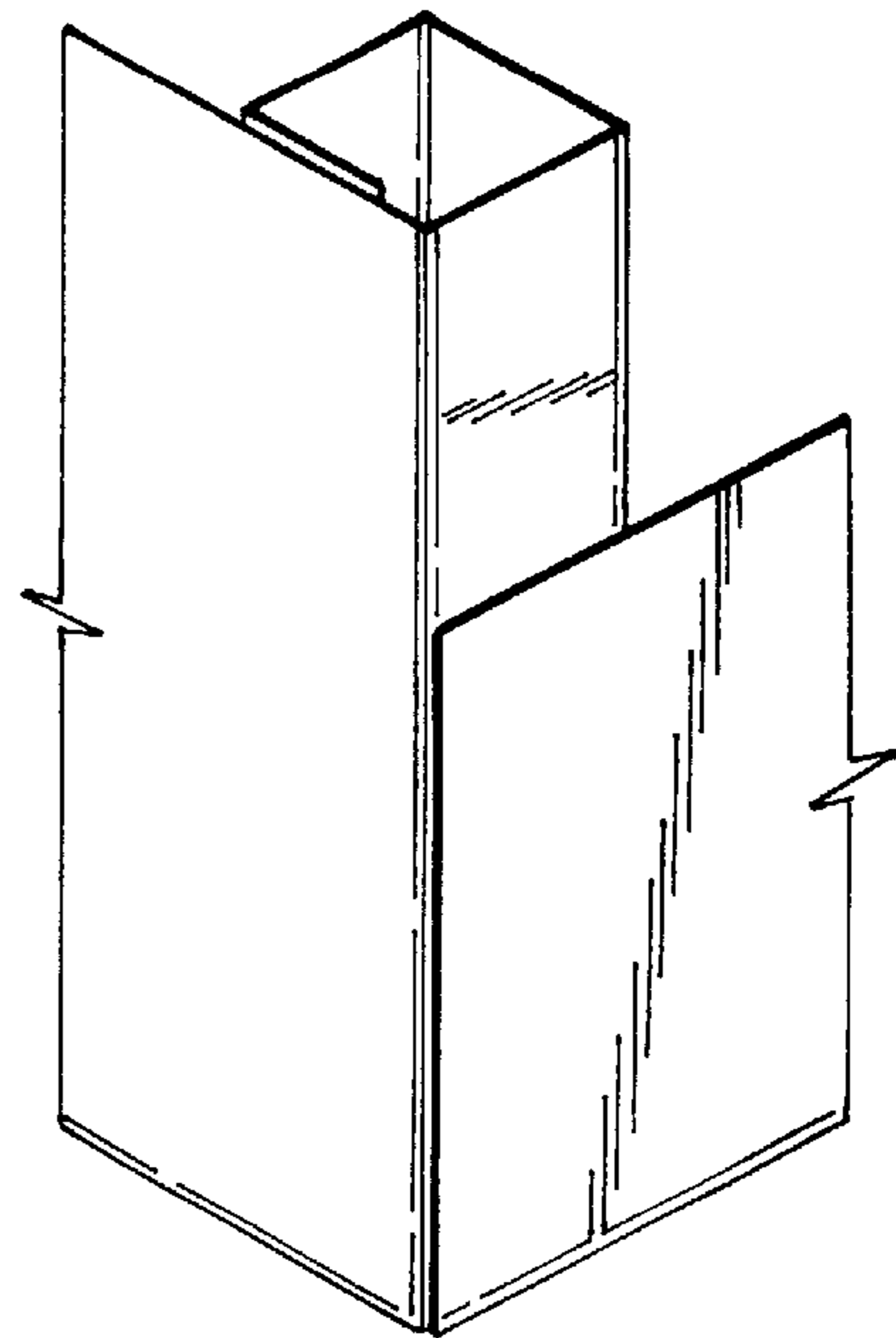


FIG. 3

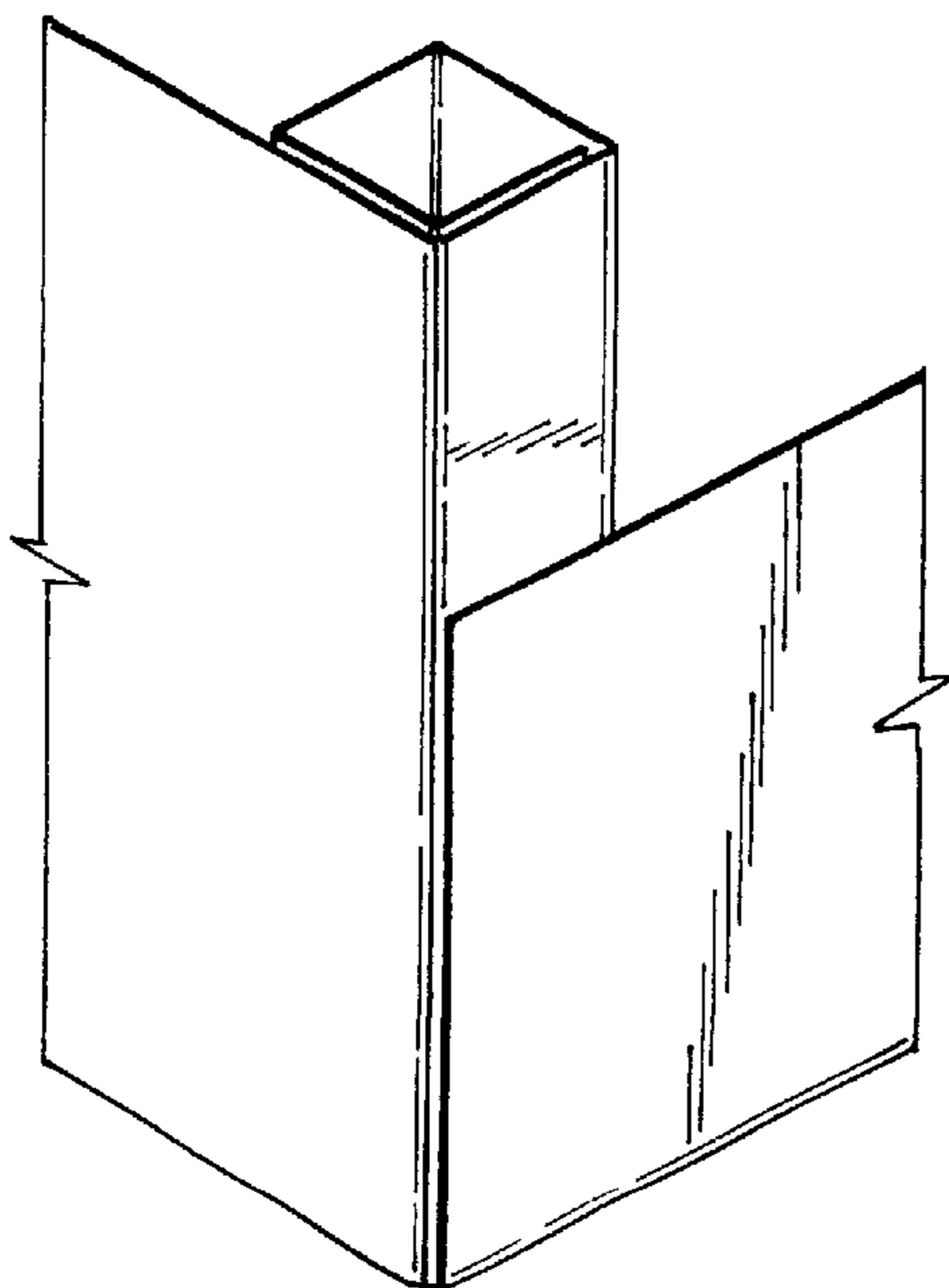


FIG. 4

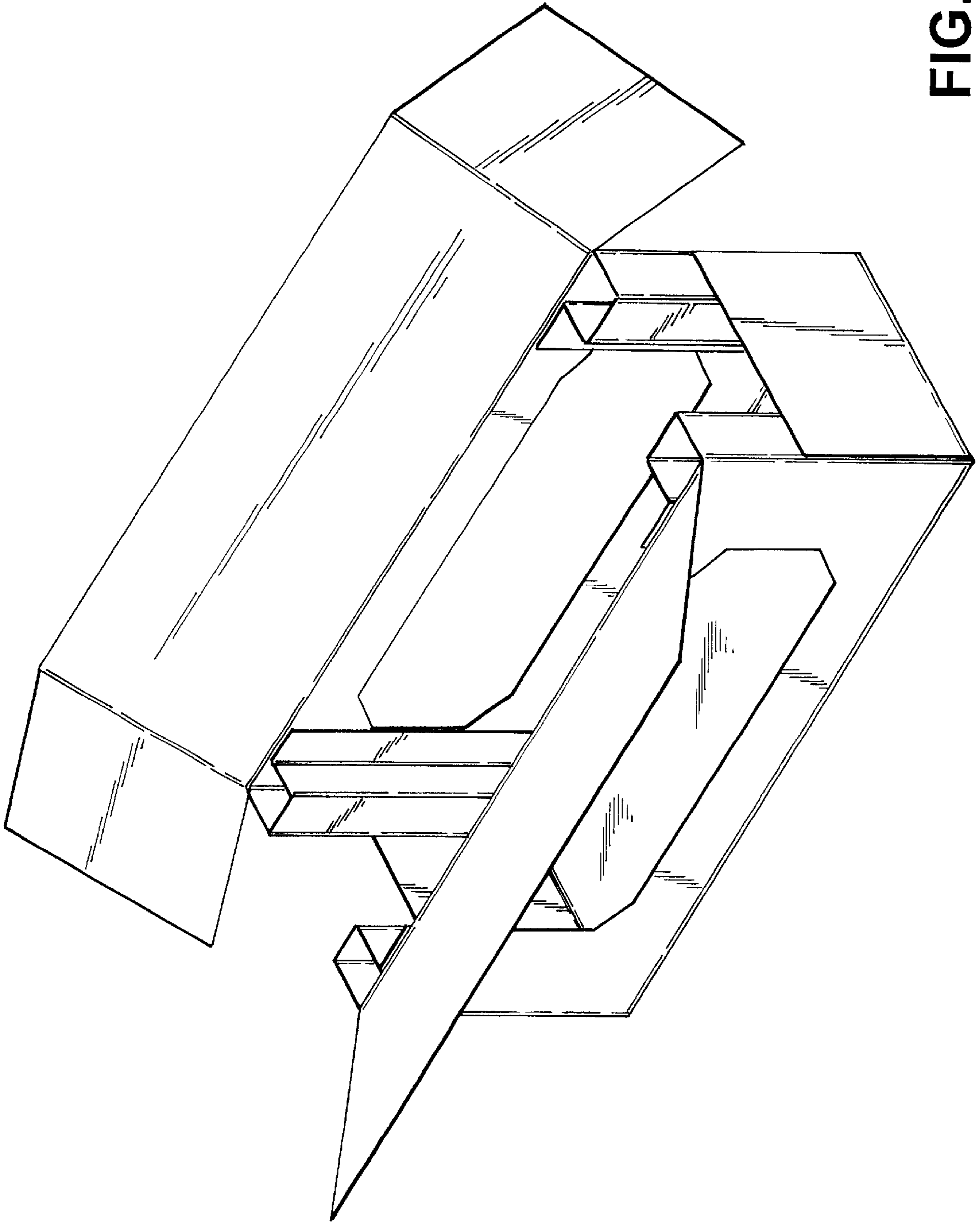


FIG. 5