



US00D485176S

(12) **United States Design Patent**  
**Hoffman et al.**

(10) **Patent No.:** **US D485,176 S**

(45) **Date of Patent:** **\*\* \*Jan. 13, 2004**

(54) **STACKABLE CARTON**

(76) **Inventors:** **Roger P. Hoffman**, 2780 Queen Ann Ct., Green Bay, WI (US) 54304;  
**Ronald Hoffman**, 3071 Albert Dr., Green Bay, WI (US) 54220

(\* ) **Notice:** This patent is subject to a terminal disclaimer.

(\*\* ) **Term:** **14 Years**

(21) **Appl. No.:** **29/168,210**

(22) **Filed:** **Sep. 27, 2002**

(51) **LOC (7) Cl.** ..... **09-03**

(52) **U.S. Cl.** ..... **D9/433**

(58) **Field of Search** ..... D9/420, 432, 433, D9/499; 206/494, 527, 784; 220/62, 229; 229/100, 117.07, 117.08, 183, 185.1, 186, 800

(56) **References Cited**

**U.S. PATENT DOCUMENTS**

- 3,024,958 A \* 3/1962 Loderhose ..... 229/17
- 3,204,853 A \* 9/1965 Hoyne et al. .... 229/23
- 3,341,349 A \* 9/1967 Feeney et al. .... 117/44
- 4,055,292 A \* 10/1977 Hosoya ..... 229/17 M
- 4,524,901 A \* 6/1985 Tikka ..... 229/220

- 5,000,717 A \* 3/1991 Pfeiffer ..... 446/488
- 5,042,653 A \* 8/1991 Ems ..... 206/247
- D320,557 S \* 10/1991 Schuster ..... D9/418
- D398,841 S \* 9/1998 Sargent et al. .... D9/339

\* cited by examiner

*Primary Examiner*—Philip S. Hyder

*Assistant Examiner*—Daniel Bui

(74) *Attorney, Agent, or Firm*—Philip M. Weiss; Weiss & Weiss

(57) **CLAIM**

The ornamental design for stackable carton, as shown.

**DESCRIPTION**

FIG. 1 is a top plan view of a stackable carton in an unassembled condition, showing my new design;

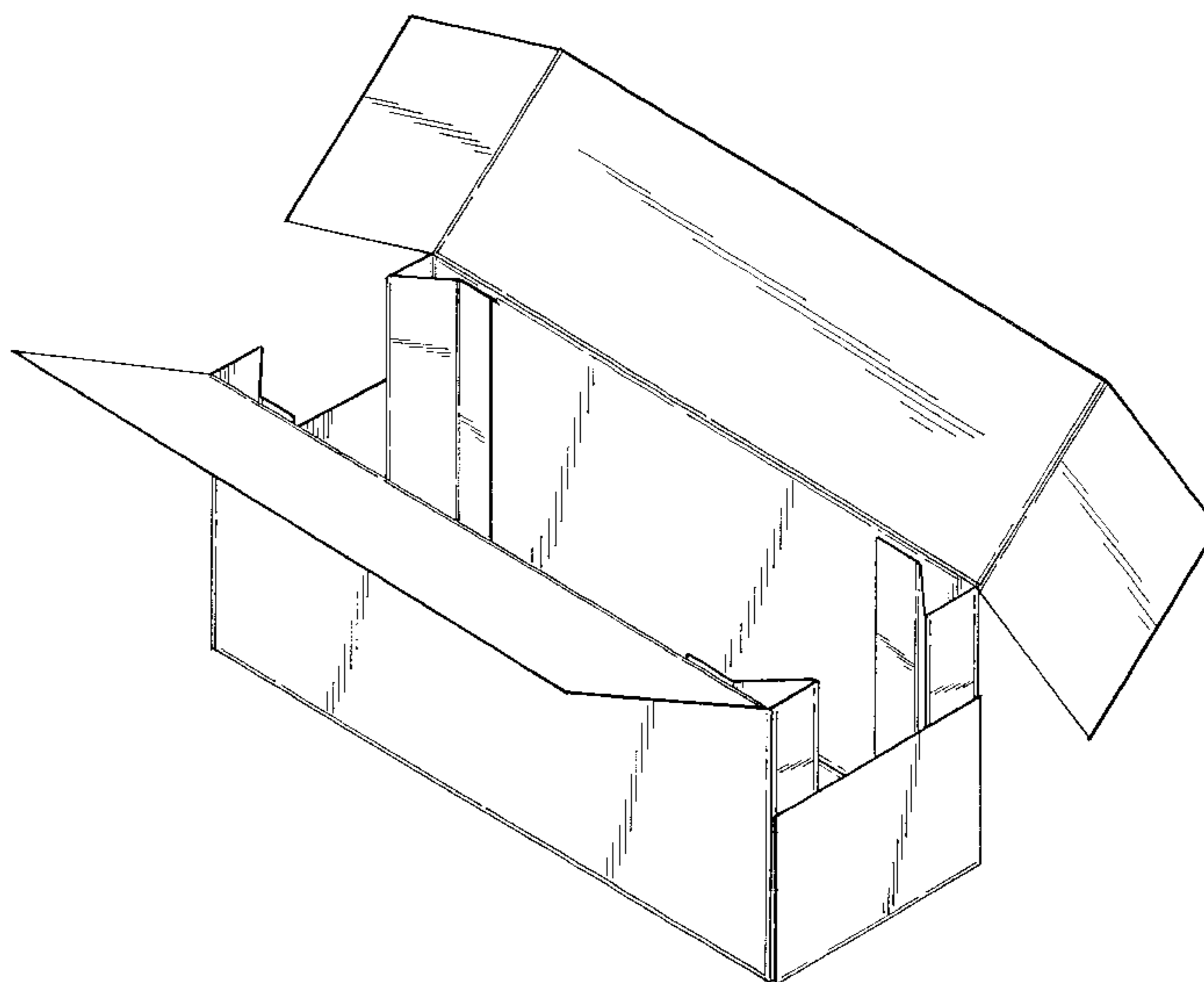
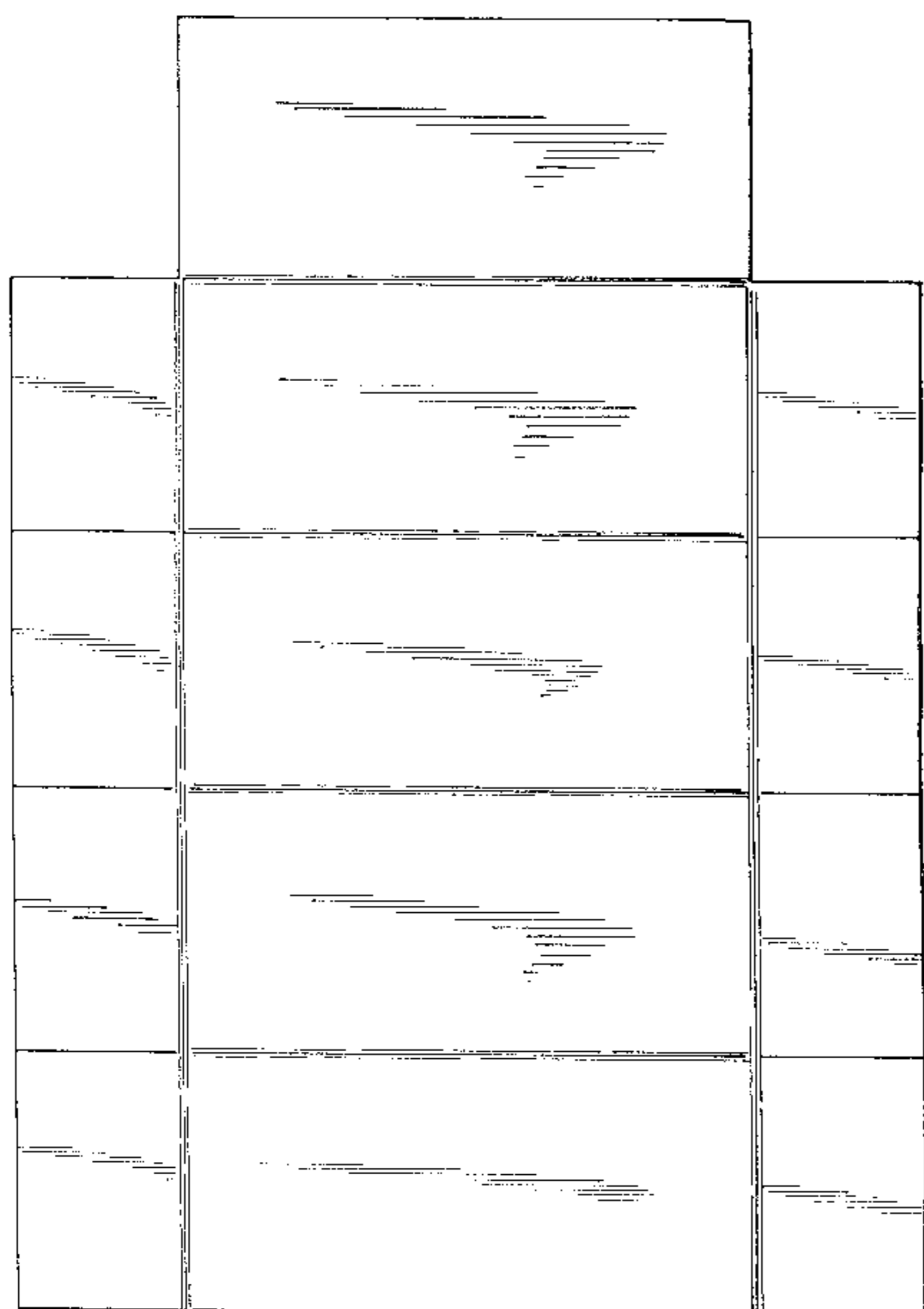
FIG. 2 is a greatly enlarged fragmentary perspective view, showing one corner thereof in a first assembled arrangement;

FIG. 3 is a greatly enlarged fragmentary perspective view similar to FIG. 2, showing a second alternate assembled arrangement; and,

FIG. 4 is a perspective view thereof in partially assembled condition.

The broken lines shown in all drawing views represent fold lines.

**1 Claim, 3 Drawing Sheets**



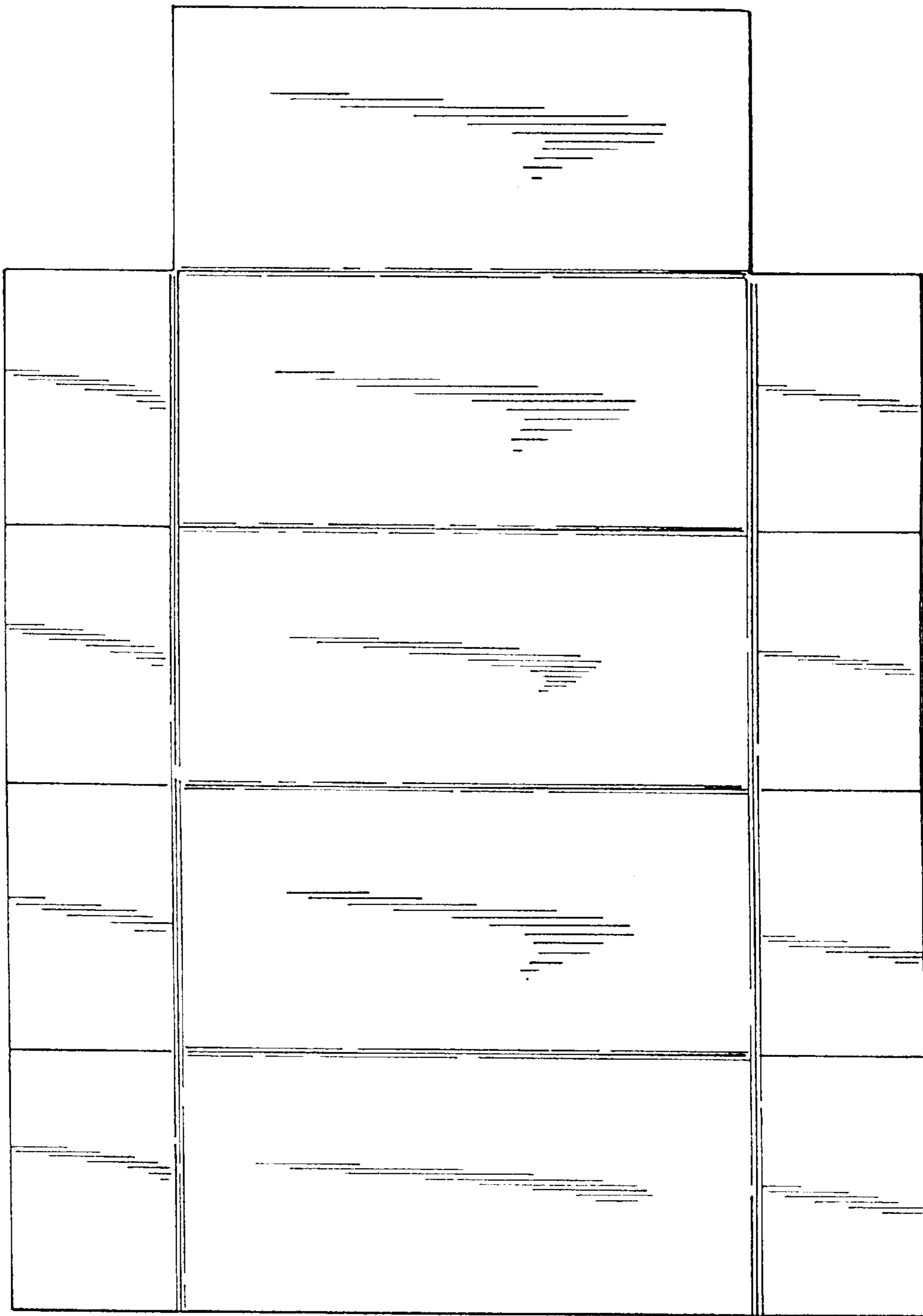
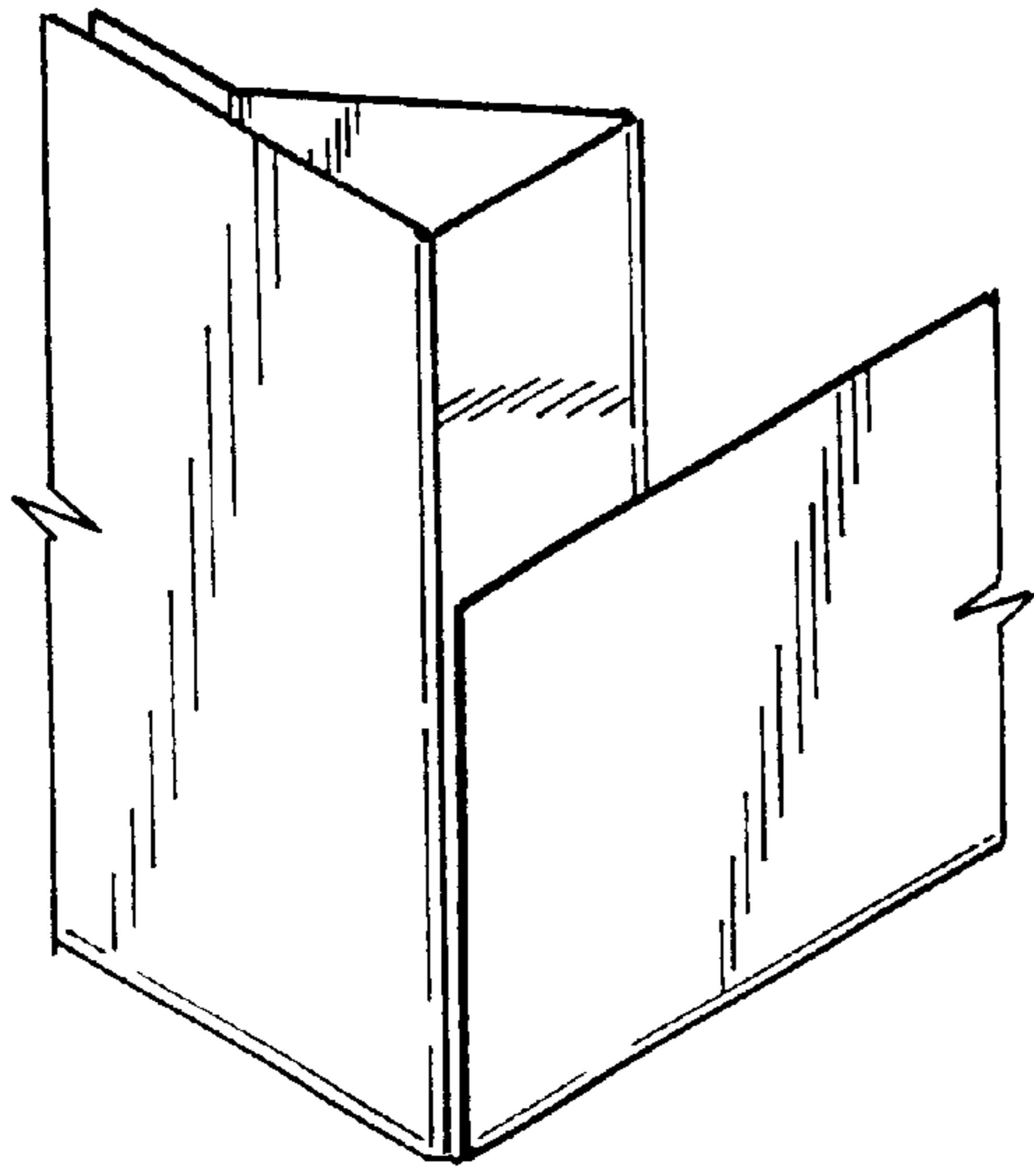
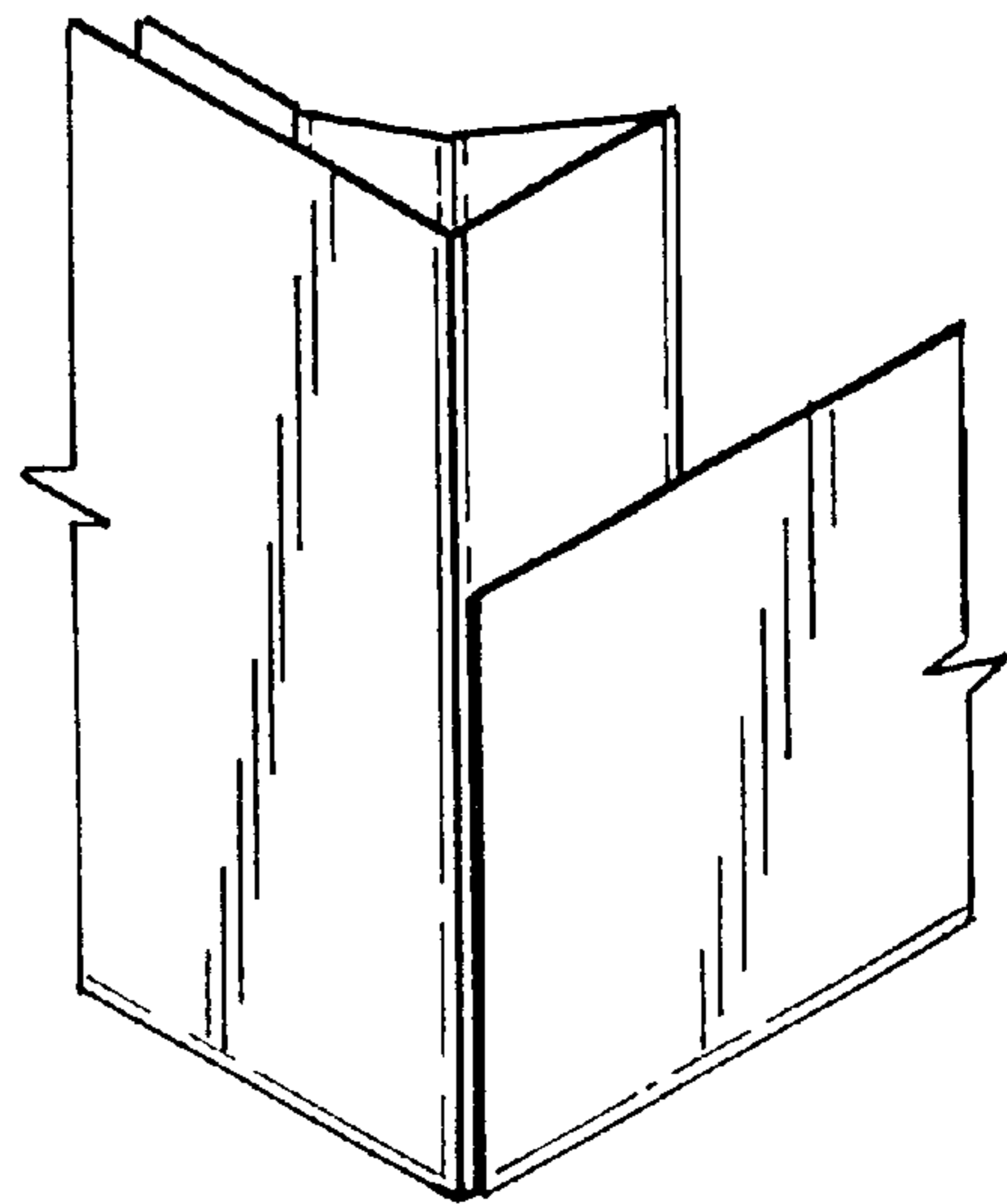


FIG. 1



**FIG. 2**



**FIG. 3**

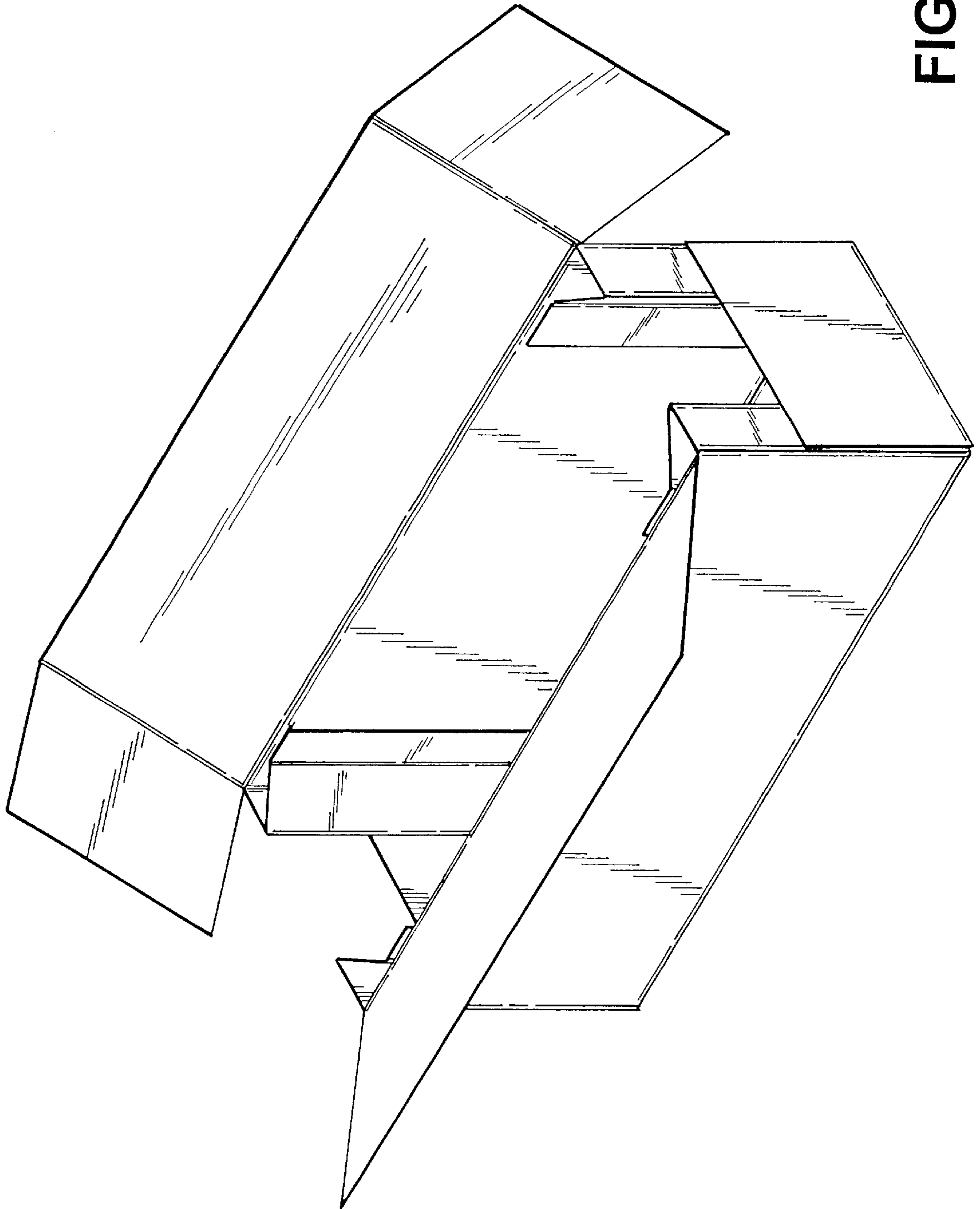


FIG. 4