



US00D485171S

(12) **United States Design Patent**
Chandaria

(10) **Patent No.:** **US D485,171 S**

(45) **Date of Patent:** **** Jan. 13, 2004**

(54) **COMBINED PACKAGE AND PLURAL TAPE DISPENSERS**

(76) **Inventor:** **Ashok Chandaria**, P.O. Box 48020,
Nairobi (KE)

(**) **Term:** **14 Years**

(21) **Appl. No.:** **29/180,627**

(22) **Filed:** **Apr. 28, 2003**

(51) **LOC (7) Cl.** **09-03**

(52) **U.S. Cl.** **D9/415**; D19/69

(58) **Field of Search** D19/65, 67, 68,
D19/69, 89, 99, 100; 206/389, 391, 395-398,
409, 411, 415; 225/6, 7, 19, 25, 34-36,
45, 46, 52, 56, 53, 65, 77, 89; 156/327,
527, 523, 577; 242/588, 588.1-588.6, 419.4;
15/104.94

(56) **References Cited**

U.S. PATENT DOCUMENTS

- D118,629 S * 1/1940 Reinecke D19/69
- 2,941,707 A * 6/1960 Beard 225/33
- 3,086,309 A * 4/1963 Katz 206/409 X
- 3,987,897 A * 10/1976 Smith 206/226
- D270,648 S * 9/1983 Mayo D19/67
- 4,527,722 A * 7/1985 Strachan 225/106
- D288,533 S * 3/1987 Jialanella et al. D9/415

- 4,735,342 A * 4/1988 Goldstein 221/25
- 5,083,717 A * 1/1992 Samuelson et al. 242/588.6
- 5,328,115 A * 7/1994 Samuelson et al. 242/588.6
- 6,460,800 B1 * 10/2002 Watanabe et al. 242/598.5

OTHER PUBLICATIONS

Packaging and dispensers of Scotch brand (3M) Magic Tape, marked on bottom, c1996, four views.*

* cited by examiner

Primary Examiner—Martie K. Holtje

(74) *Attorney, Agent, or Firm*—Sand & Sebolt

(57) **CLAIM**

The ornamental design for a combined package and plural tape dispensers, as shown and described.

DESCRIPTION

FIG. 1 is a perspective front view of the combined package and plural tape dispensers in accordance with the present invention;

FIG. 2 is a perspective rear view thereof;

FIG. 3 is a top view thereof;

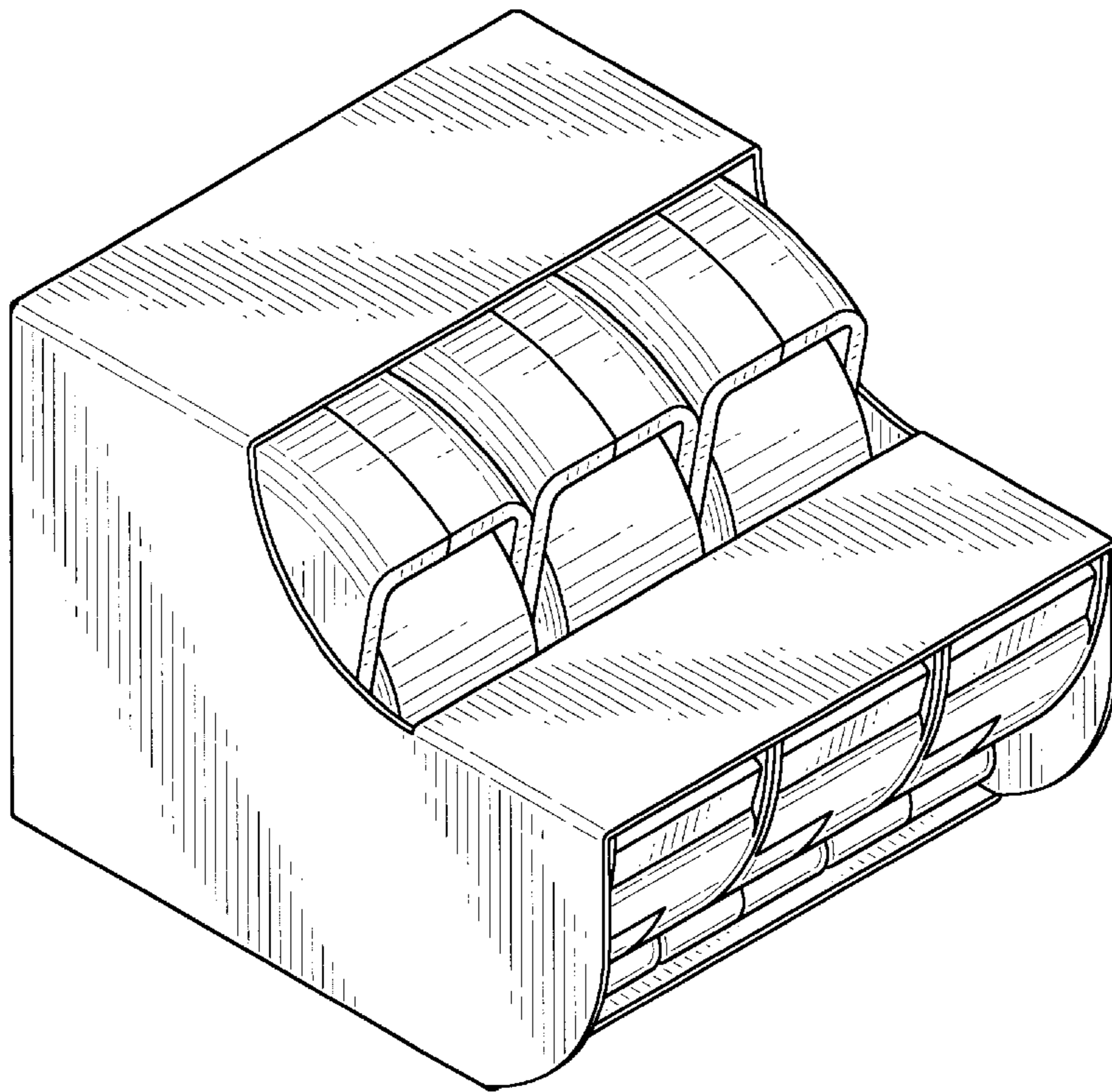
FIG. 4 is a side view thereof;

FIG. 5 is a bottom view thereof;

FIG. 6 is a front view thereof; and,

FIG. 7 is a rear view thereof.

1 Claim, 3 Drawing Sheets



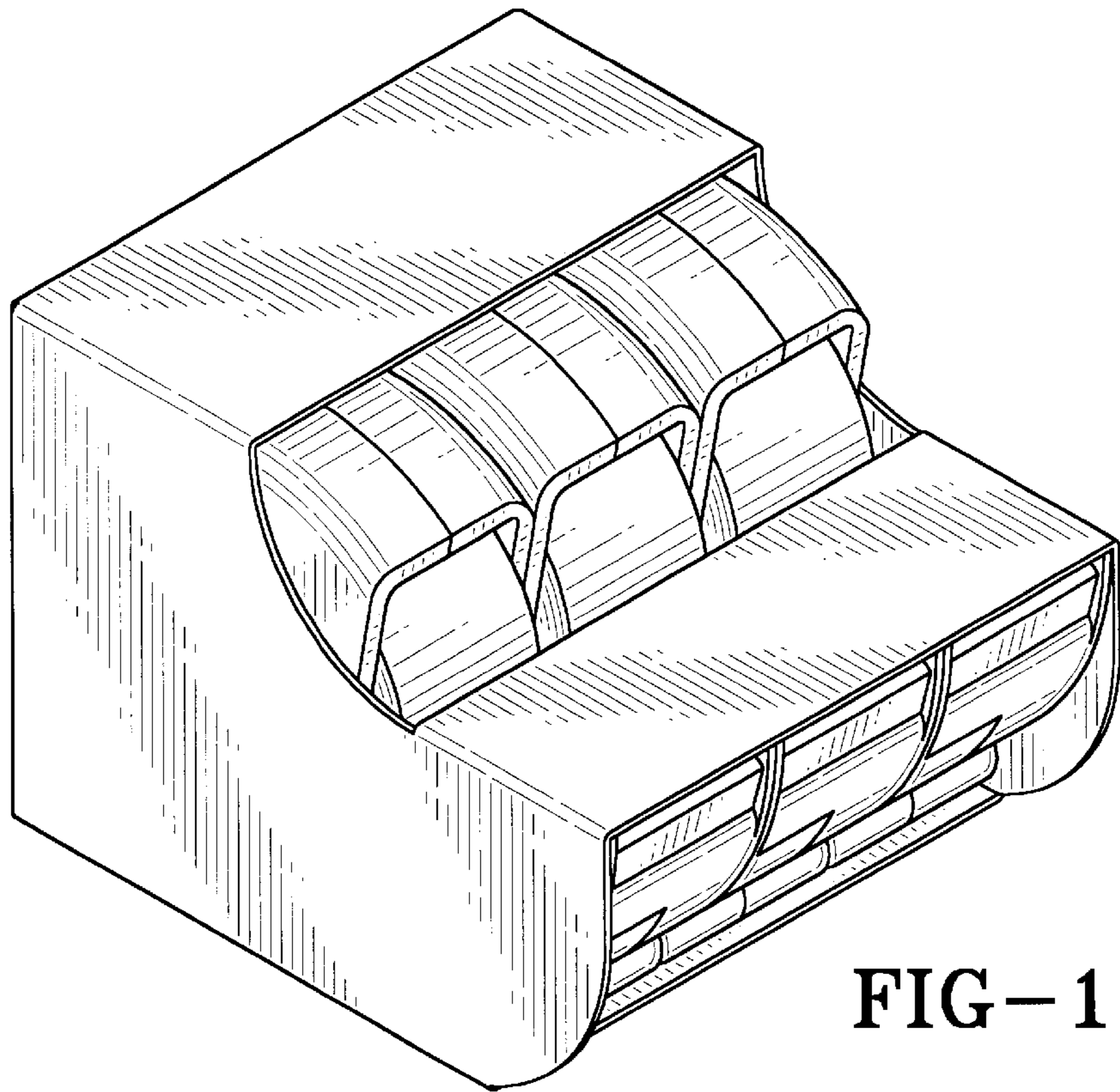


FIG-1

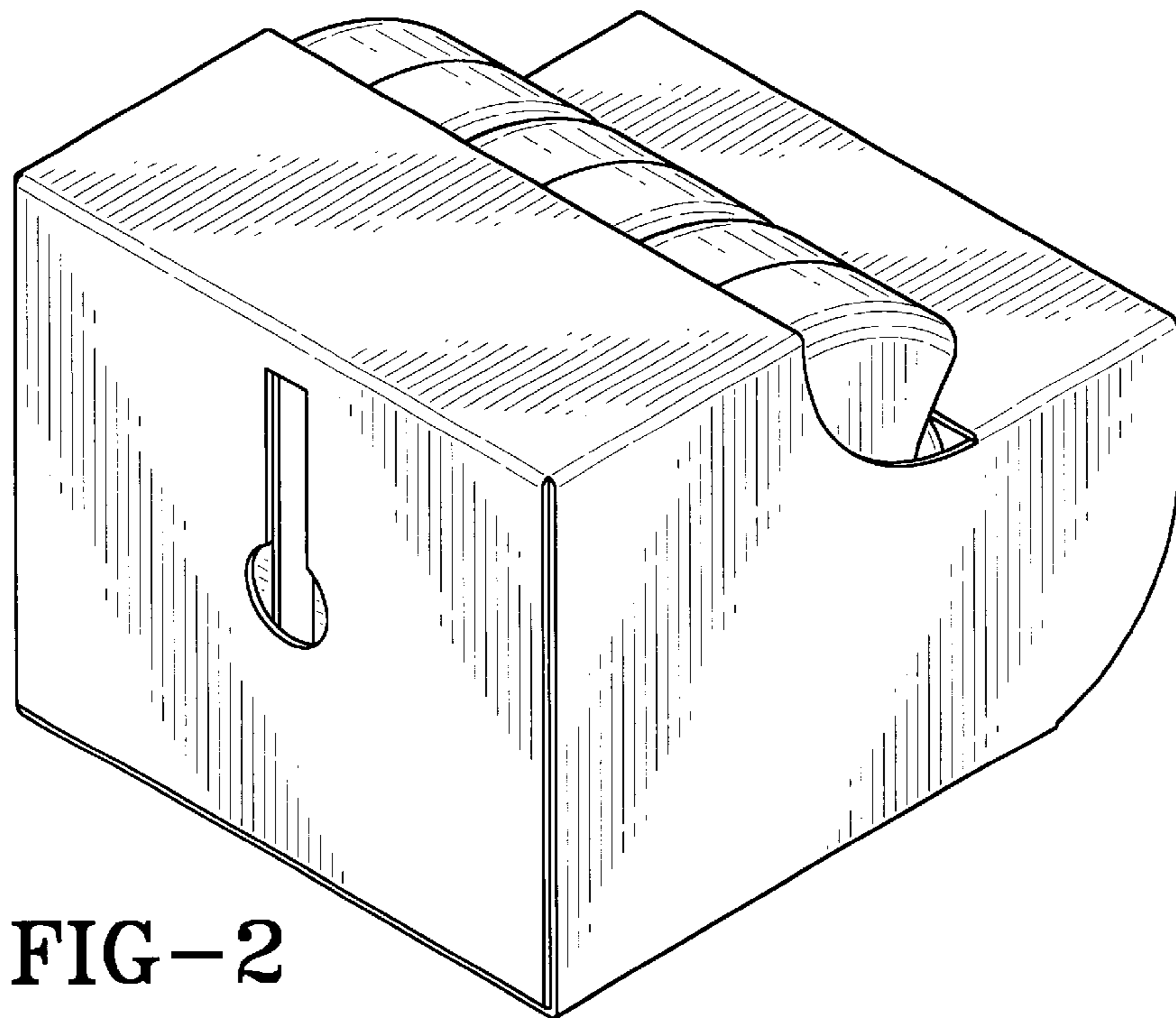


FIG-2

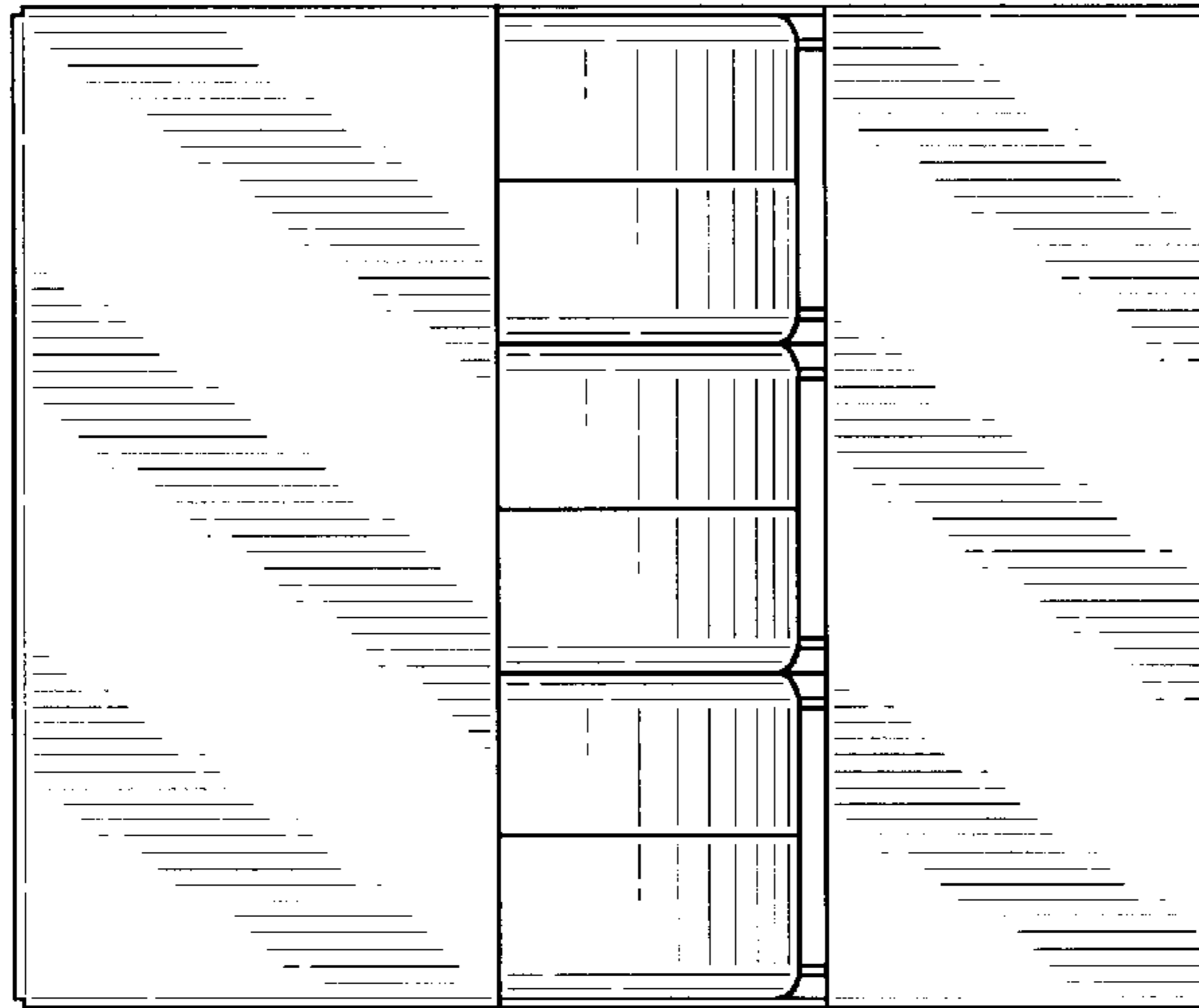


FIG-3

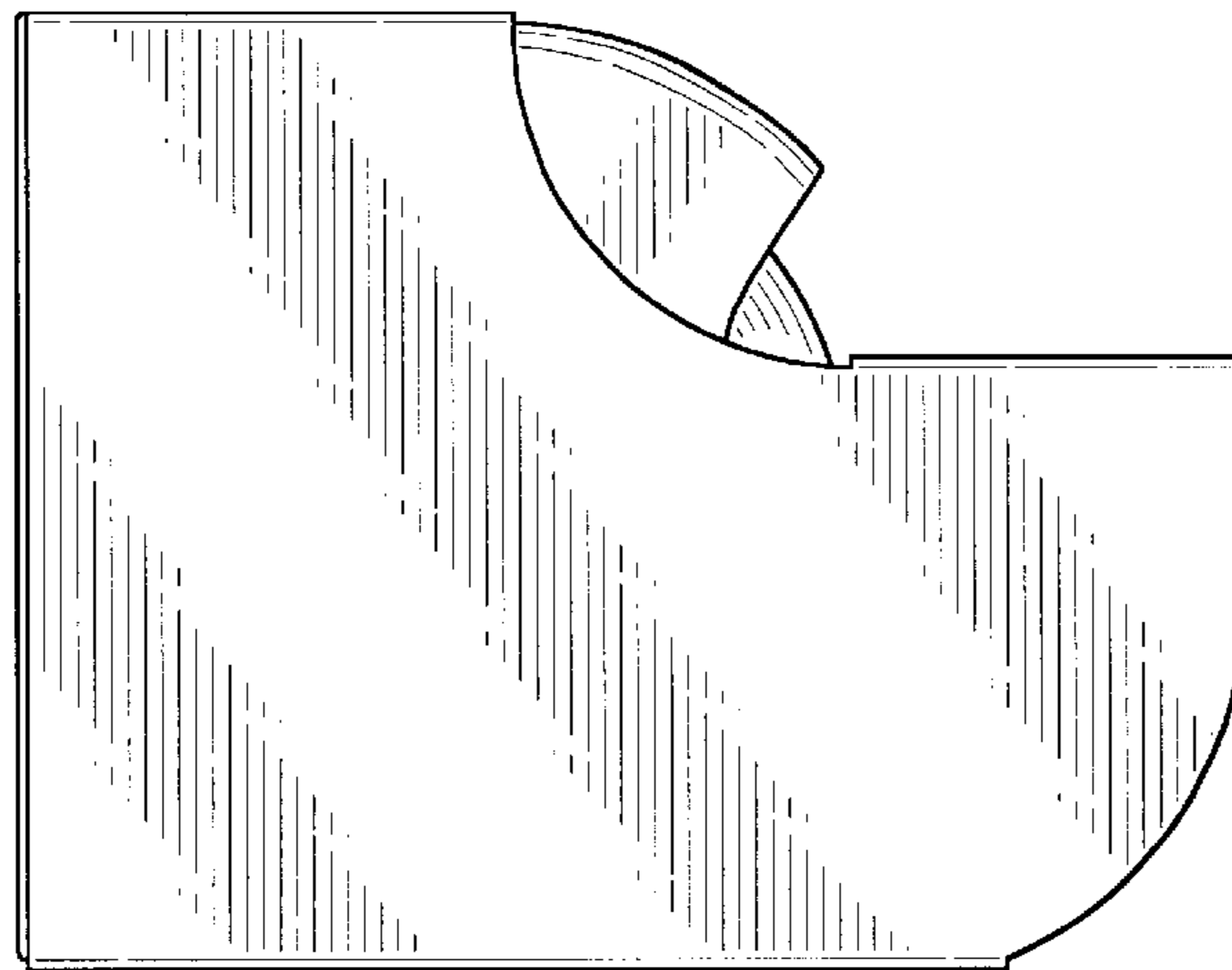


FIG-4

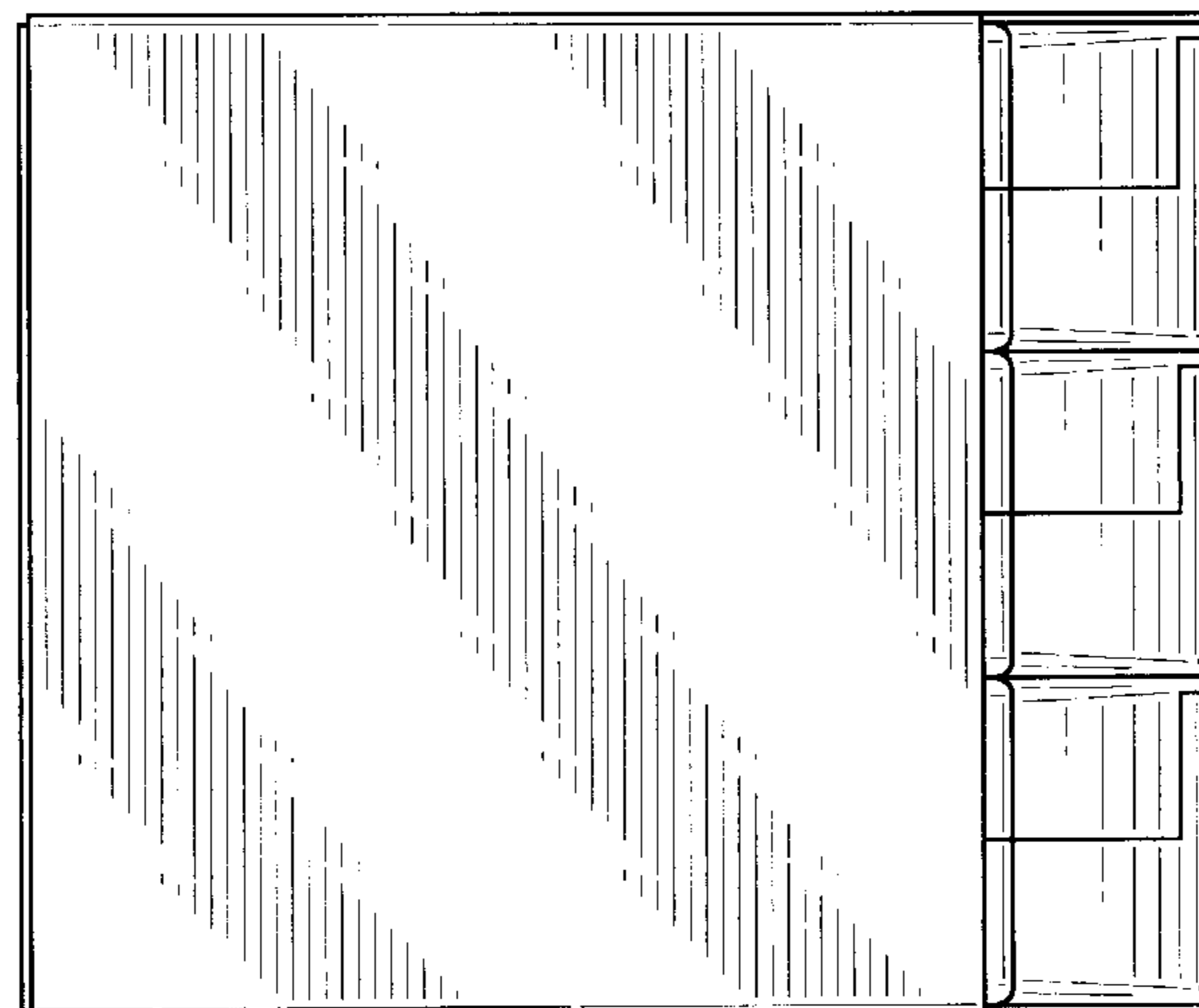


FIG-5

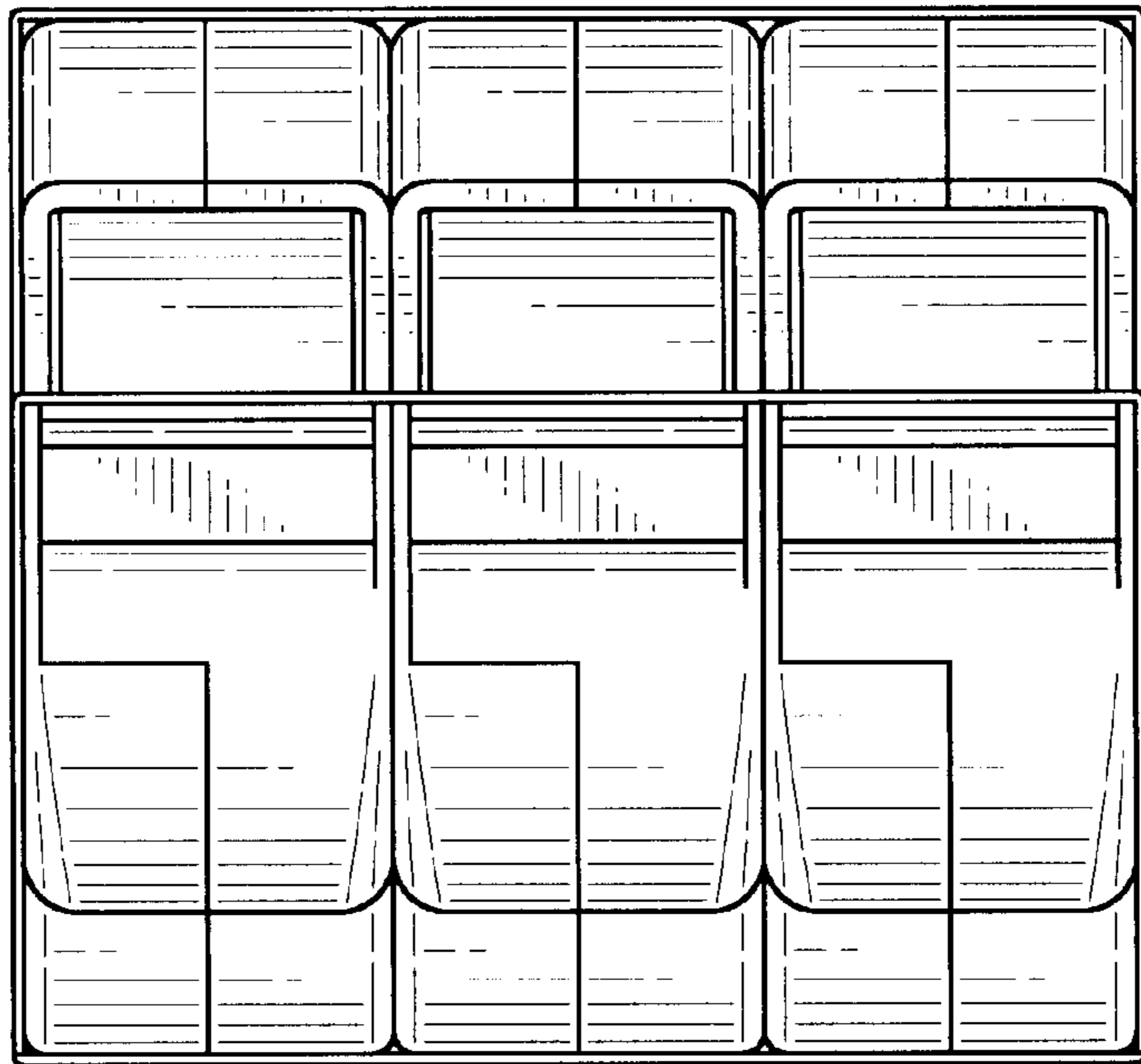


FIG-6

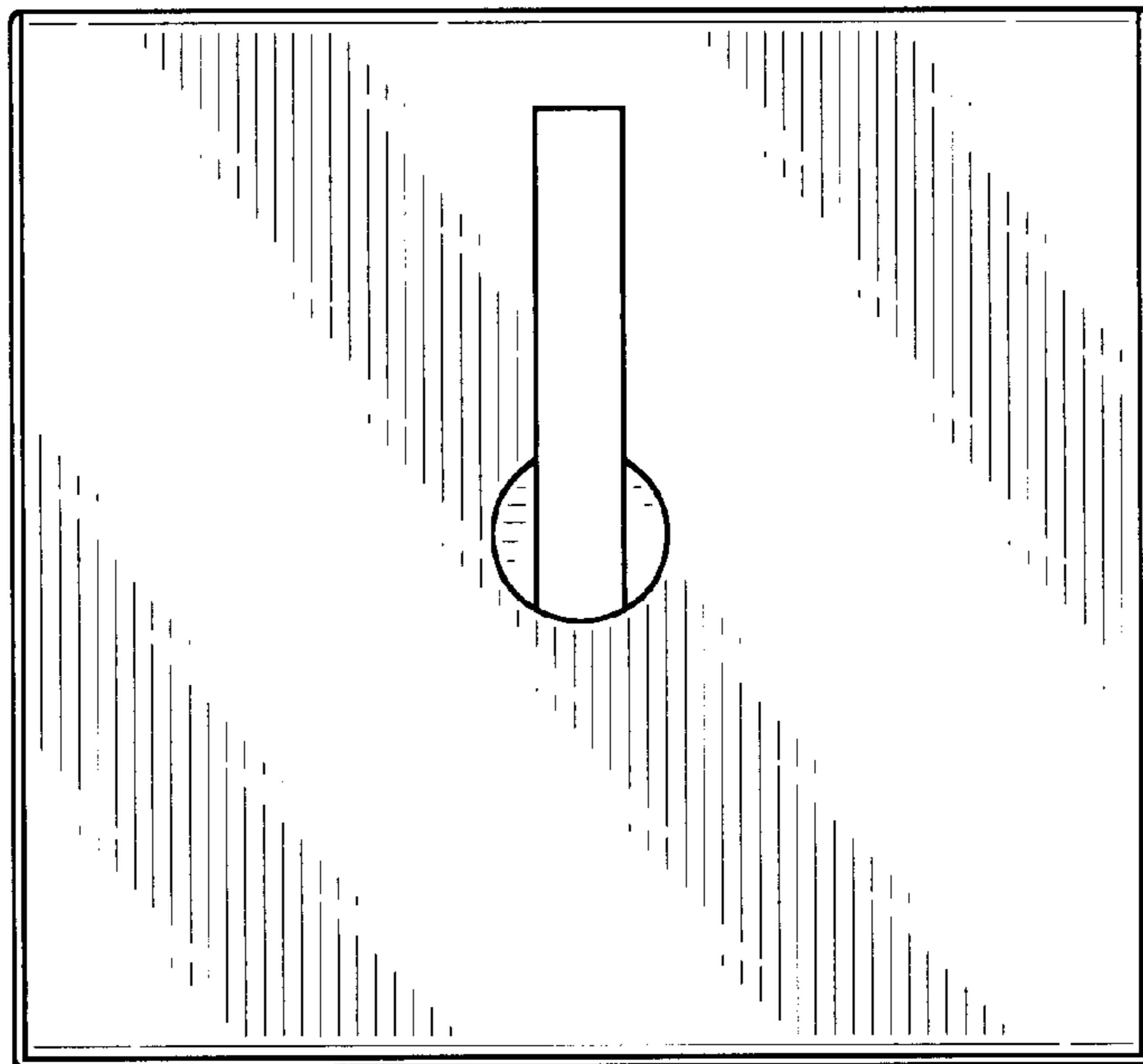


FIG-7