



US00D485163S

(12) **United States Design Patent**
Twomey

(10) **Patent No.:** **US D485,163 S**

(45) **Date of Patent:** **** Jan. 13, 2004**

(54) **COMBINED TOILET SEAT NUT AND BOLT ASSEMBLY**

(75) **Inventor:** **Michael R. Twomey**, Newnan, GA (US)

(73) **Assignee:** **Olsonite Corporation**, Newnan, GA (US)

(**) **Term:** **14 Years**

(21) **Appl. No.:** **29/154,510**

(22) **Filed:** **Jan. 28, 2002**

(51) **LOC (7) Cl.** **08-08**

(52) **U.S. Cl.** **D8/399**

(58) **Field of Search** D8/382, 397, 399;
411/81, 98, 103, 106, 145, 146, 169, 172,
179, 197, 204, 234, 248, 337, 338, 368,
371.2, 372.5, 418, 427, 429, 430, 431,
432, 436, 437, 500, 511, 512, 514, 531,
532, 533, 535, 536, 537, 538, 542, 544,
918, 928; 70/229; 301/35.623, 111.01; D23/303,
311

(56) **References Cited**

U.S. PATENT DOCUMENTS

297,154 A *	4/1884	Neible	411/234
1,096,269 A *	5/1914	Saxe	411/337
3,075,204 A *	1/1963	Rocker	4/236
3,236,141 A	2/1966	Smith	
3,414,911 A *	12/1968	Enlow	D8/311
3,590,401 A *	7/1971	Brown	D8/311

3,935,787 A	2/1976	Fisher	
4,416,048 A	11/1983	Otte	
4,467,481 A	8/1984	Ginsburg	
4,820,096 A	4/1989	Knight	
5,457,824 A	10/1995	Reed	
5,667,348 A *	9/1997	Chen et al.	411/418
D395,700 S *	6/1998	Butler et al.	D23/311
5,933,875 A	8/1999	Hulsebus et al.	
D413,969 S *	9/1999	Lin	D23/311
5,980,150 A	11/1999	Newman et al.	
6,012,886 A	1/2000	Tanamura et al.	
6,089,807 A	7/2000	Larsson	

* cited by examiner

Primary Examiner—Doris V. Coles

Assistant Examiner—T. Chase Nelson

(74) *Attorney, Agent, or Firm*—Clark & Brody

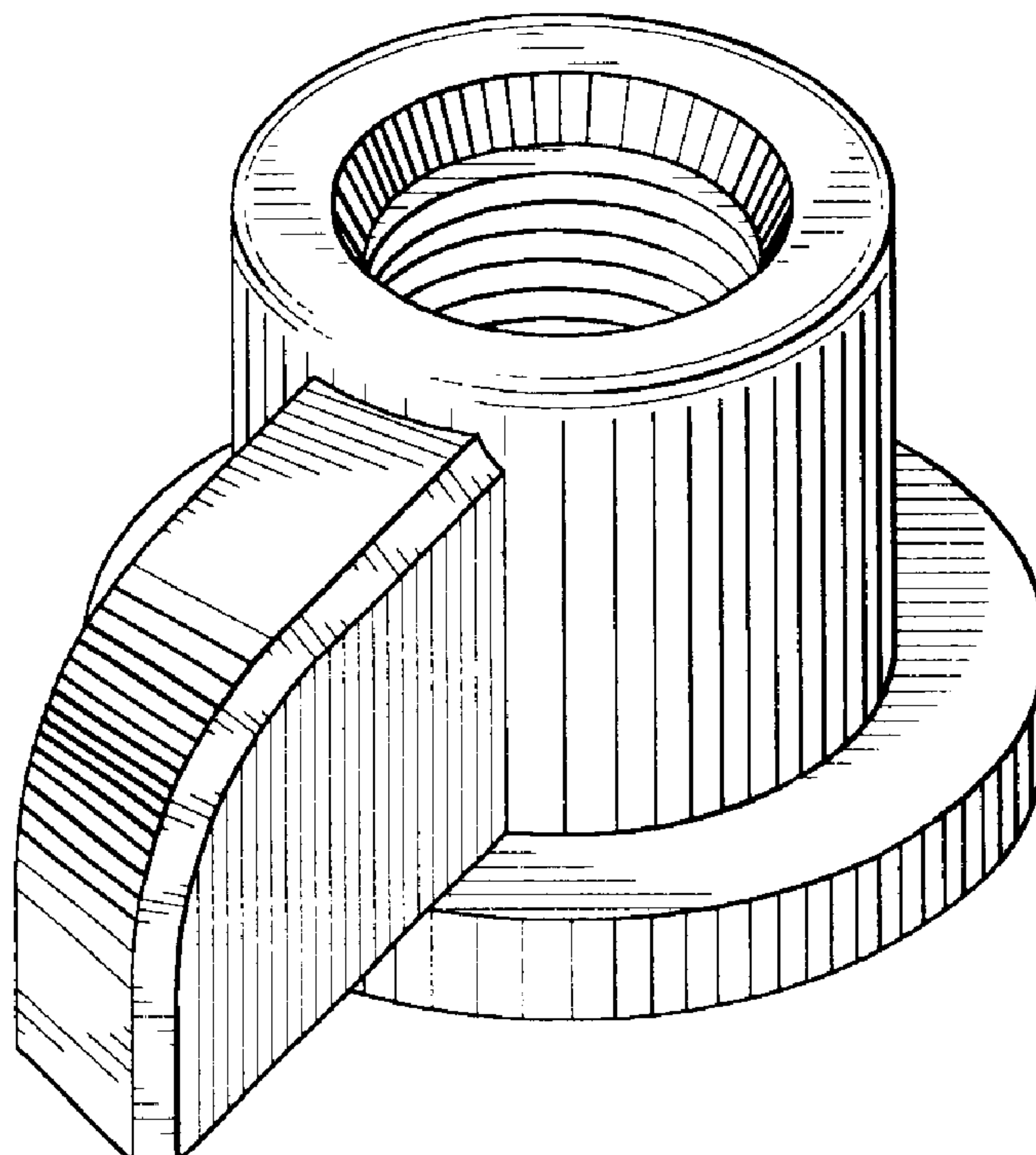
(57) **CLAIM**

The ornamental design for a combined toilet seat nut and bolt assembly, as shown and described.

DESCRIPTION

FIG. 1 is a right side perspective view of the toilet seat nut of the assembly showing my new design; FIG. 2 is a left side perspective view thereof; FIG. 3 is a bottom side perspective view thereof; FIG. 4 is a front perspective view of the toilet seat bolt of the assembly showing my new design; and, FIG. 5 is a rear perspective view of the bolt. The toilet seat nut and bolt have been shown separately in the drawings for convenience of illustration.

1 Claim, 2 Drawing Sheets



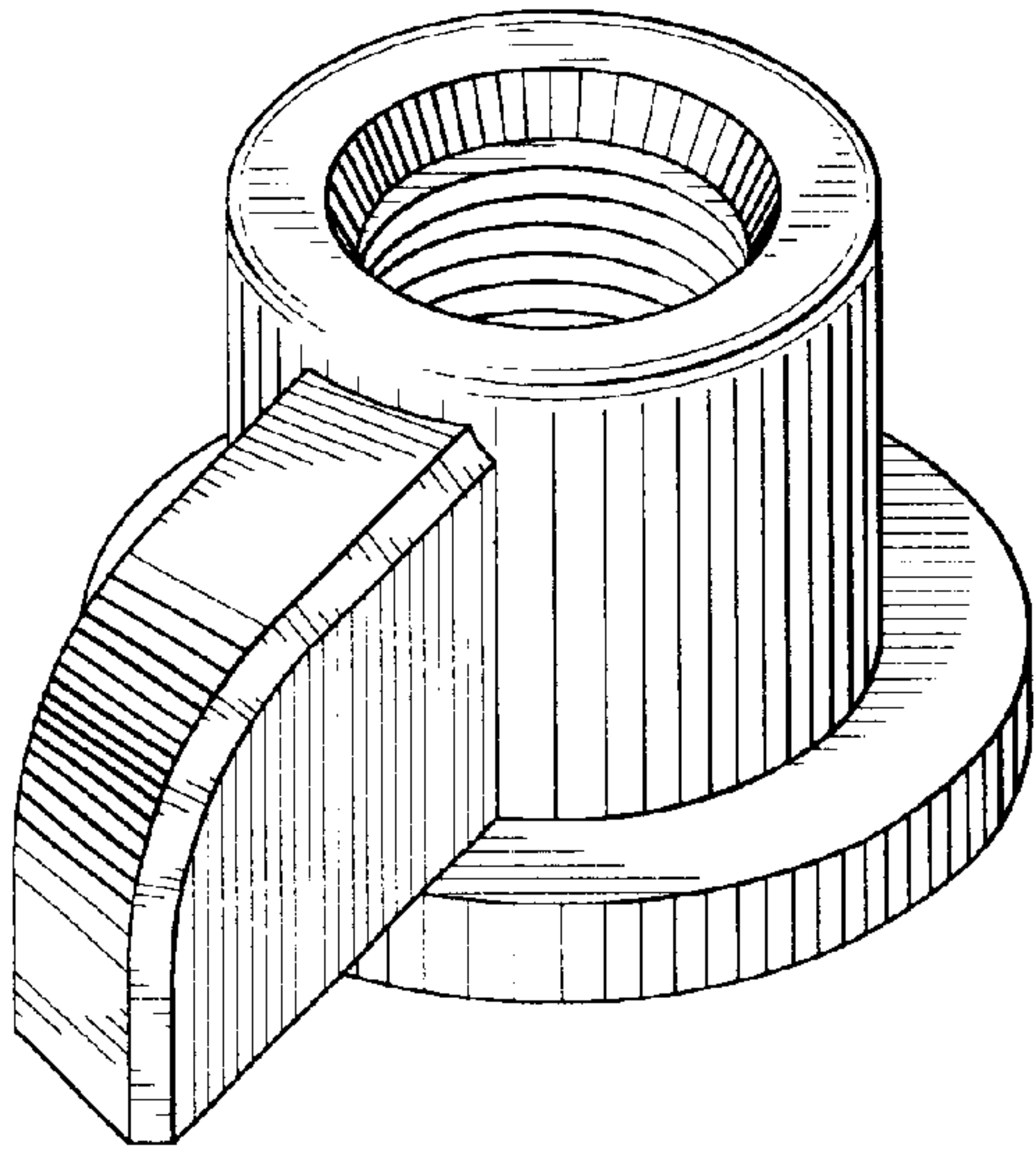


Fig. 1

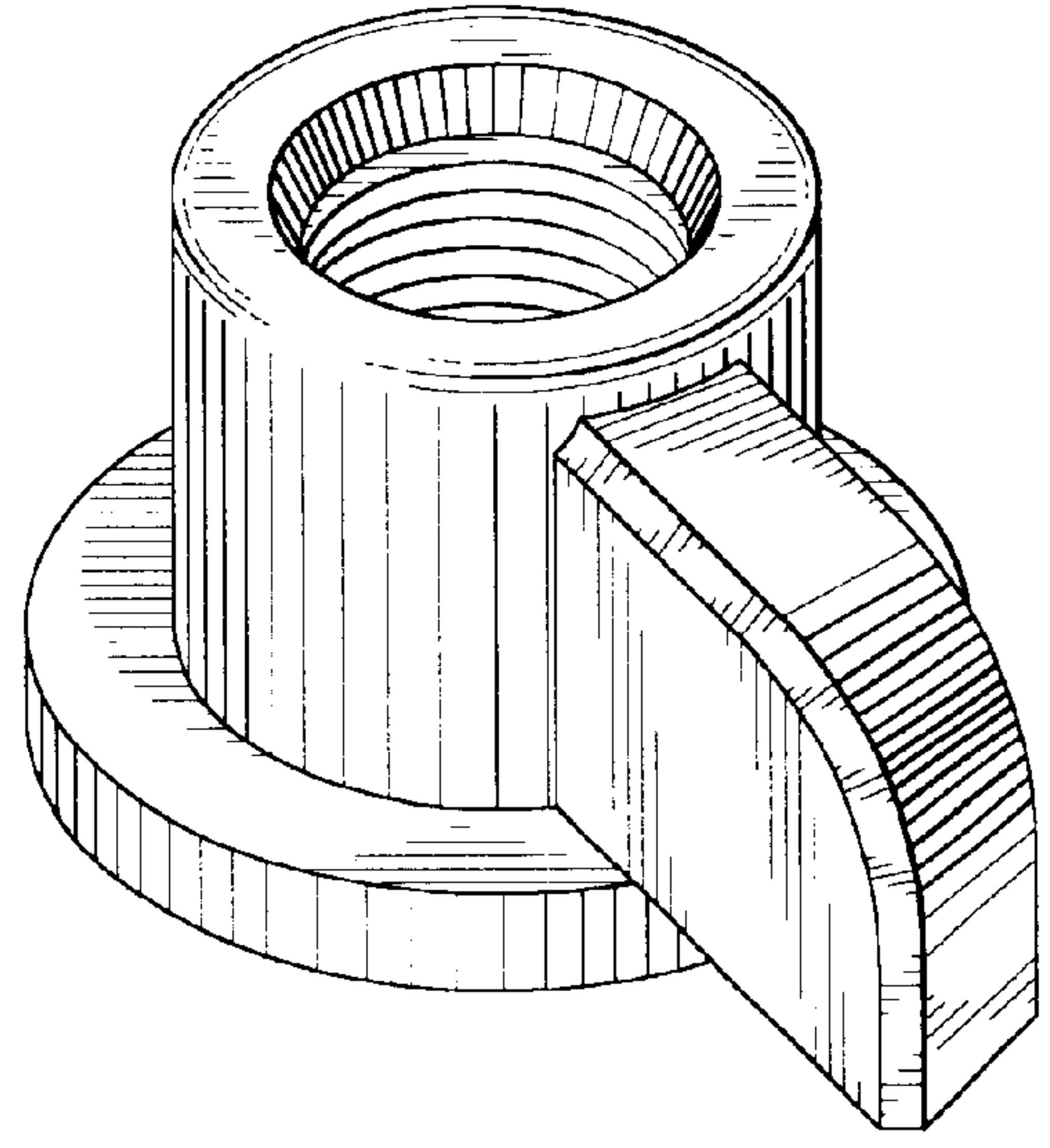


Fig. 2

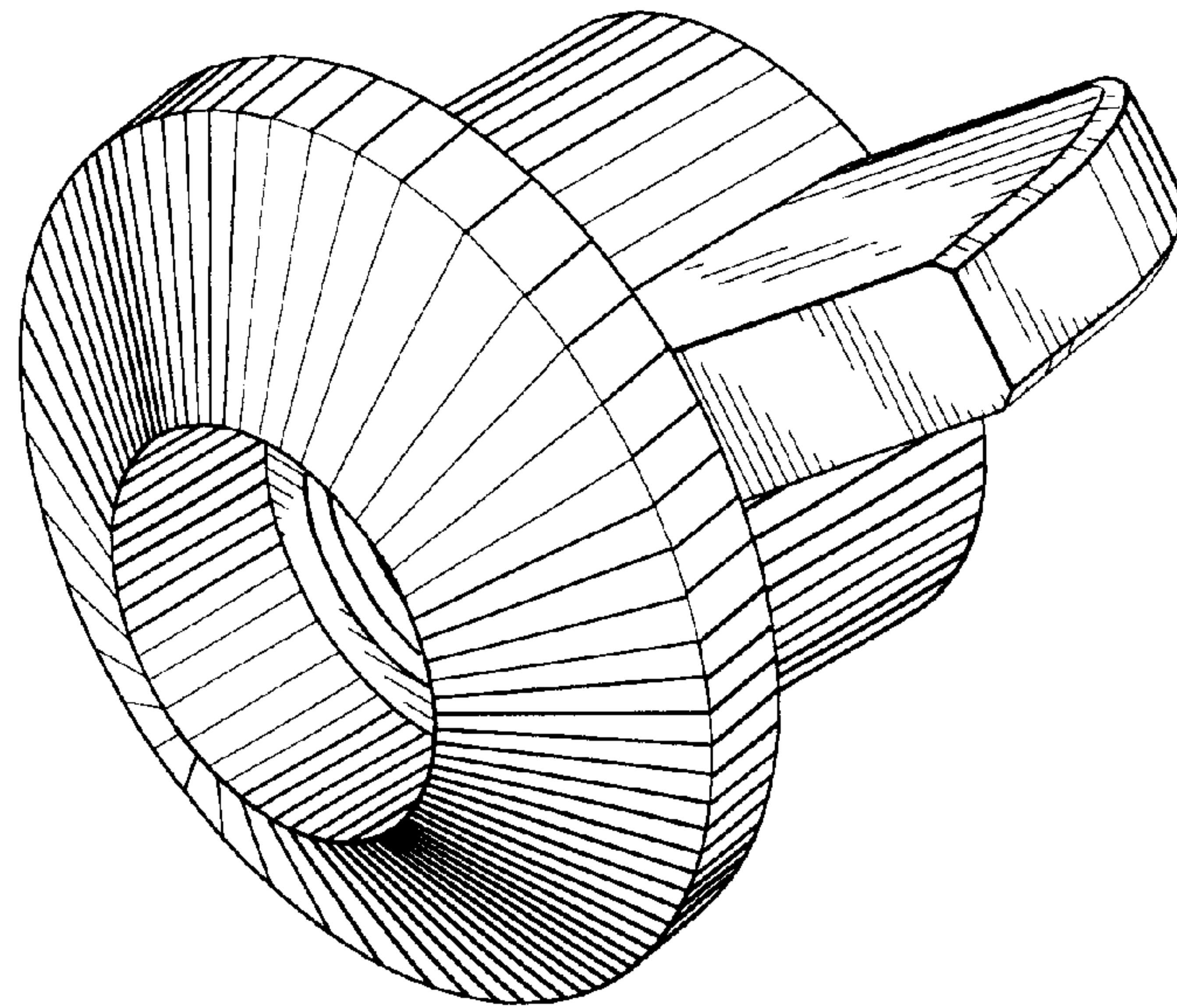


Fig. 3

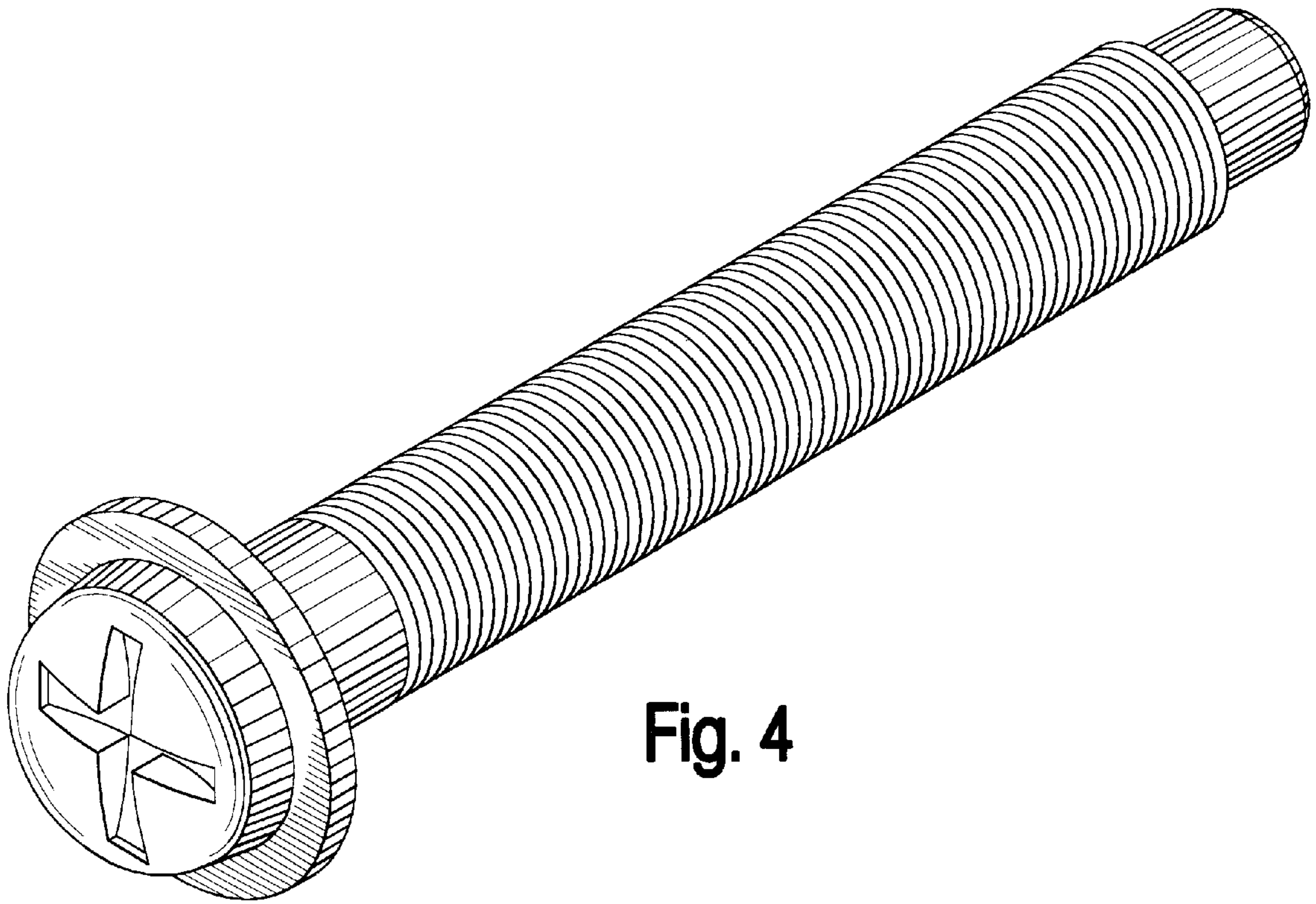


Fig. 4

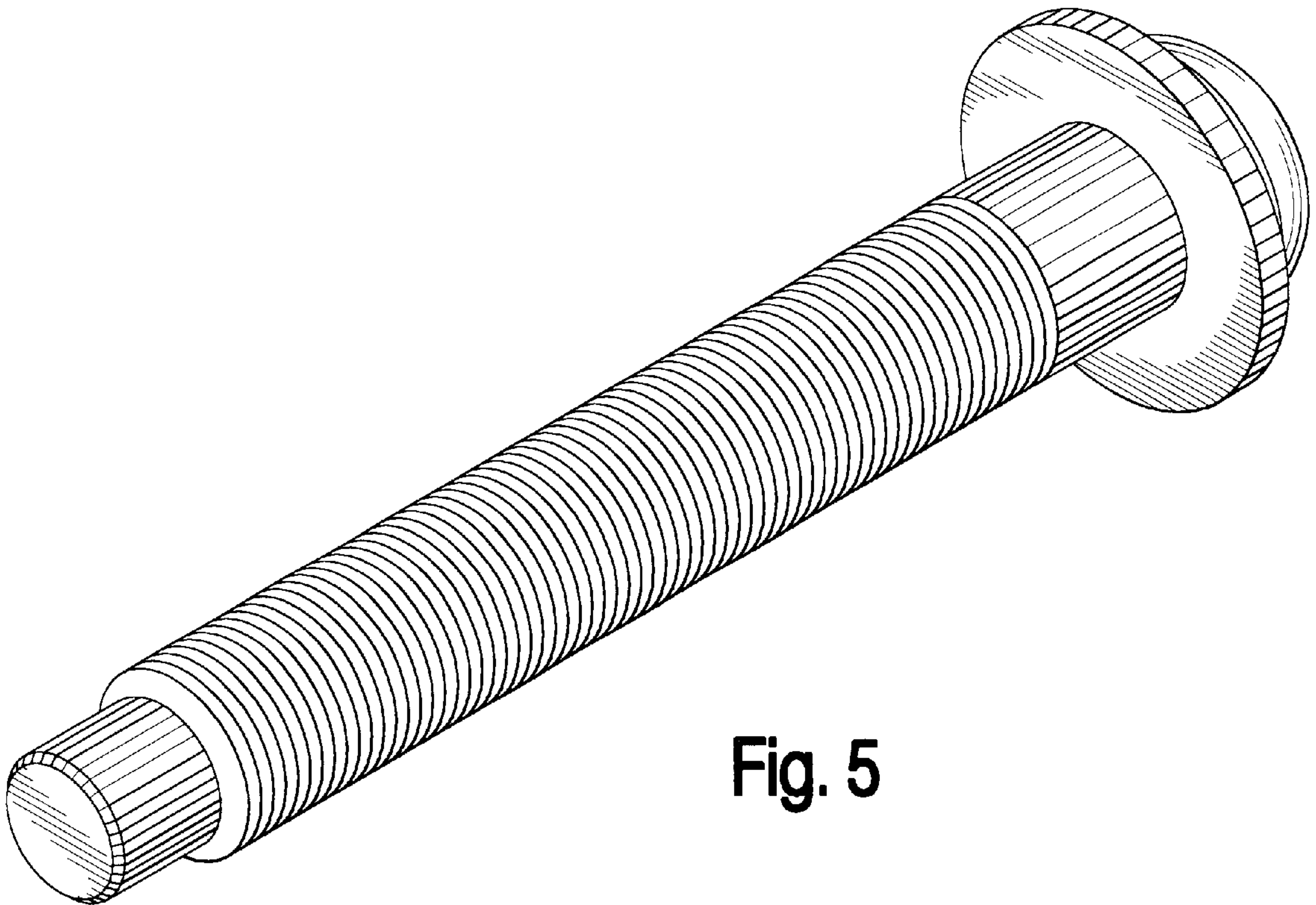


Fig. 5