



US00D485162S

(12) **United States Design Patent**
Wadsworth et al.

(10) **Patent No.:** **US D485,162 S**

(45) **Date of Patent:** **** Jan. 13, 2004**

(54) **CLIP ASSEMBLY**

(76) Inventors: **Jake Wadsworth**, 20 Dublin Gulch Rd., St. Ignatius, MT (US) 59865;
Tracy Lee Pagel, 3350 Cheff La., Ronan, MT (US) 59864

(**) Term: **14 Years**

(21) Appl. No.: **29/158,704**

(22) Filed: **Apr. 5, 2002**

(51) **LOC (7) Cl.** **08-08**

(52) **U.S. Cl.** **D8/395; D34/10**

(58) **Field of Search** D8/396, 394, 395, D8/371; D34/10, 54; 24/30.5 R, 30.5 P, 30.5 S, 517, 559, 570, 571, 306, 543, 3 R; 248/205.3; 220/404

(56) **References Cited**

U.S. PATENT DOCUMENTS

461,143 A	10/1891	Randall	
3,516,631 A	6/1970	Santucci	
3,571,861 A	3/1971	Olson	
3,713,622 A	* 1/1973	Dinger	24/543
3,766,613 A	10/1973	Merfeld	
D234,246 S	2/1975	Martini	
4,277,863 A	* 7/1981	Faneuf	24/3 R
D265,381 S	7/1982	Borja	
D286,014 S	10/1986	Davis	
4,750,638 A	* 6/1988	Sosower	220/404

4,967,453 A	11/1990	MacDonald	
D315,865 S	4/1991	Fisscher	
5,056,197 A	10/1991	Cohen	
5,109,576 A	5/1992	Teekell et al.	
5,123,146 A	6/1992	Olson	
D340,857 S	* 11/1993	Light	D8/395
5,495,644 A	3/1996	Meshner et al.	
D381,484 S	* 7/1997	Clendenning	D34/10
6,298,526 B1	10/2001	Baumdicker et al.	
D453,294 S	2/2002	Bitzer	
2002/0020045 A1	2/2002	Nasu et al.	

FOREIGN PATENT DOCUMENTS

GB 2 054 022 A 2/1981

* cited by examiner

Primary Examiner—Louis S. Zarfes
Assistant Examiner—Gregory Andoll
(74) *Attorney, Agent, or Firm*—Saliwanchik, Lloyd & Saliwanchik

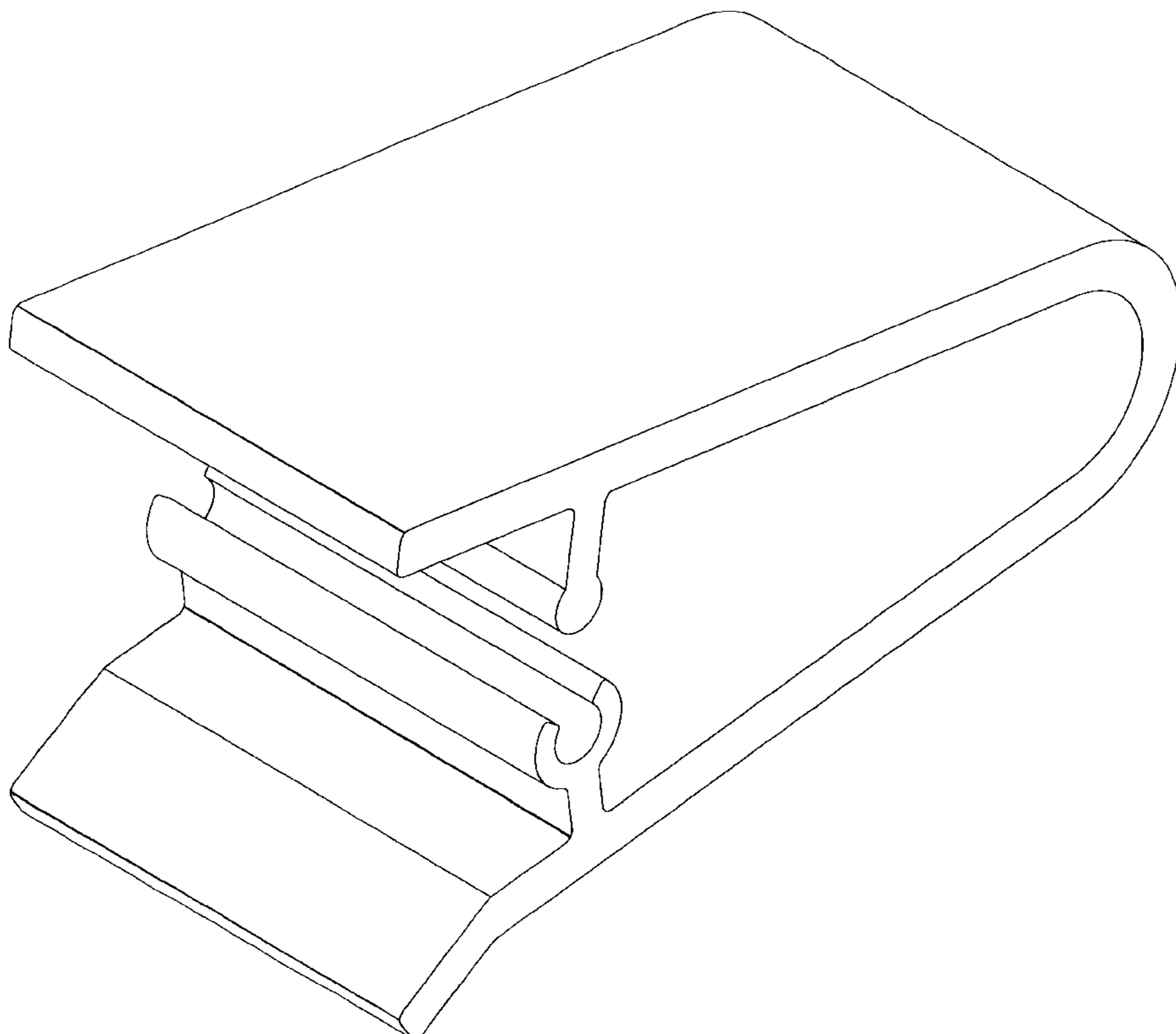
(57) **CLAIM**

The ornamental design for a clip assembly, as shown and described.

DESCRIPTION

FIG. 1 is a perspective view of a clip assembly showing our design; and,
FIG. 2 is a side view of a clip assembly showing our design; the other side being substantially a mirror image thereof.

1 Claim, 2 Drawing Sheets



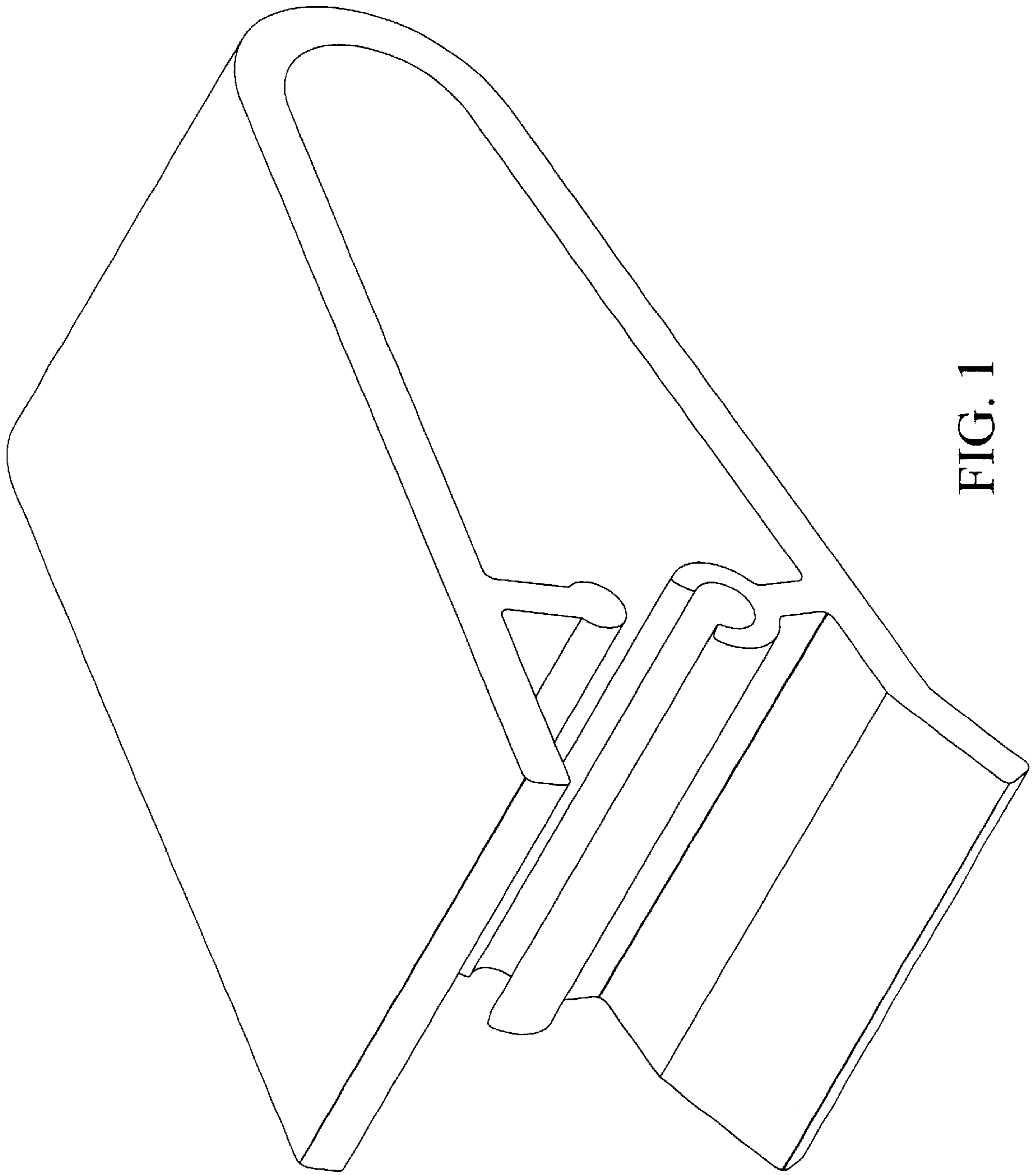


FIG. 1

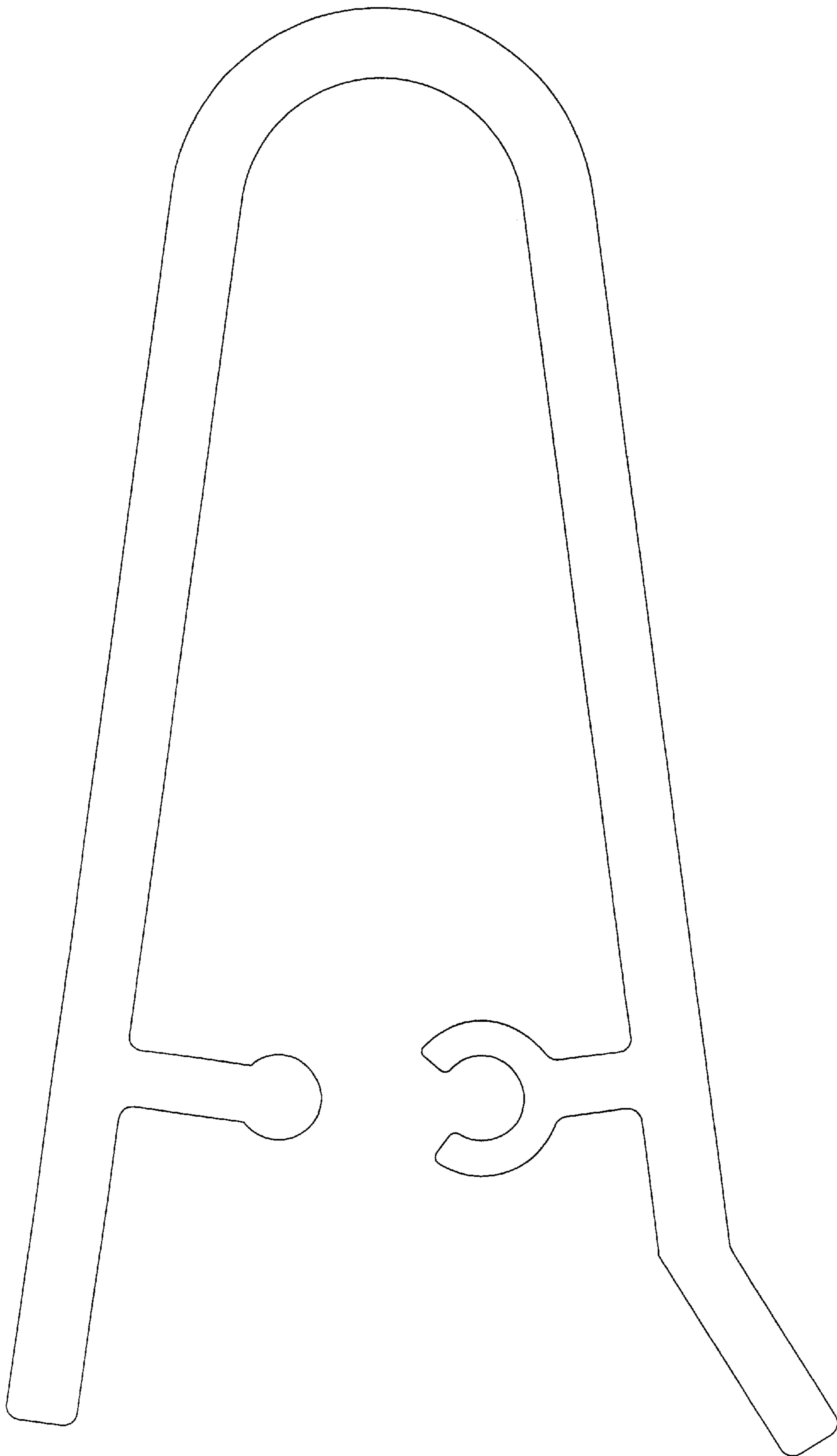


FIG. 2