



US00D485161S

(12) **United States Design Patent**
Hutchinson

(10) **Patent No.:** **US D485,161 S**

(45) **Date of Patent:** **** Jan. 13, 2004**

(54) **HEAVY CABLE CRIMPING BLOCK**

(75) **Inventor:** **Harold D. Hutchinson, Oxnard, CA (US)**

(73) **Assignee:** **EPM.AV Corporation, Oxnard, CA (US)**

(**) **Term:** **14 Years**

(21) **Appl. No.:** **29/177,340**

(22) **Filed:** **Mar. 6, 2003**

(65) **Prior Publication Data**

(65)

(51) **LOC (7) Cl.** **08-08**

(52) **U.S. Cl.** **D8/383**

(58) **Field of Search** D8/356, 383, 396;
248/68.1, 74.1-74.4; 211/59.4

(56) **References Cited**

U.S. PATENT DOCUMENTS

- 2,354,919 A * 8/1944 Lockwood 248/68.1
- 3,682,422 A * 8/1972 Evans 248/68.1
- 4,030,540 A * 6/1977 Roma 165/172

- 5,060,810 A * 10/1991 Jones 211/59.4
- 5,123,547 A * 6/1992 Koch 211/59.4
- 5,377,939 A * 1/1995 Kirma 248/68.1
- 5,996,945 A * 12/1999 Coles et al. 248/68.1

* cited by examiner

Primary Examiner—Holly Baynham

(74) *Attorney, Agent, or Firm*—David O'Reilly

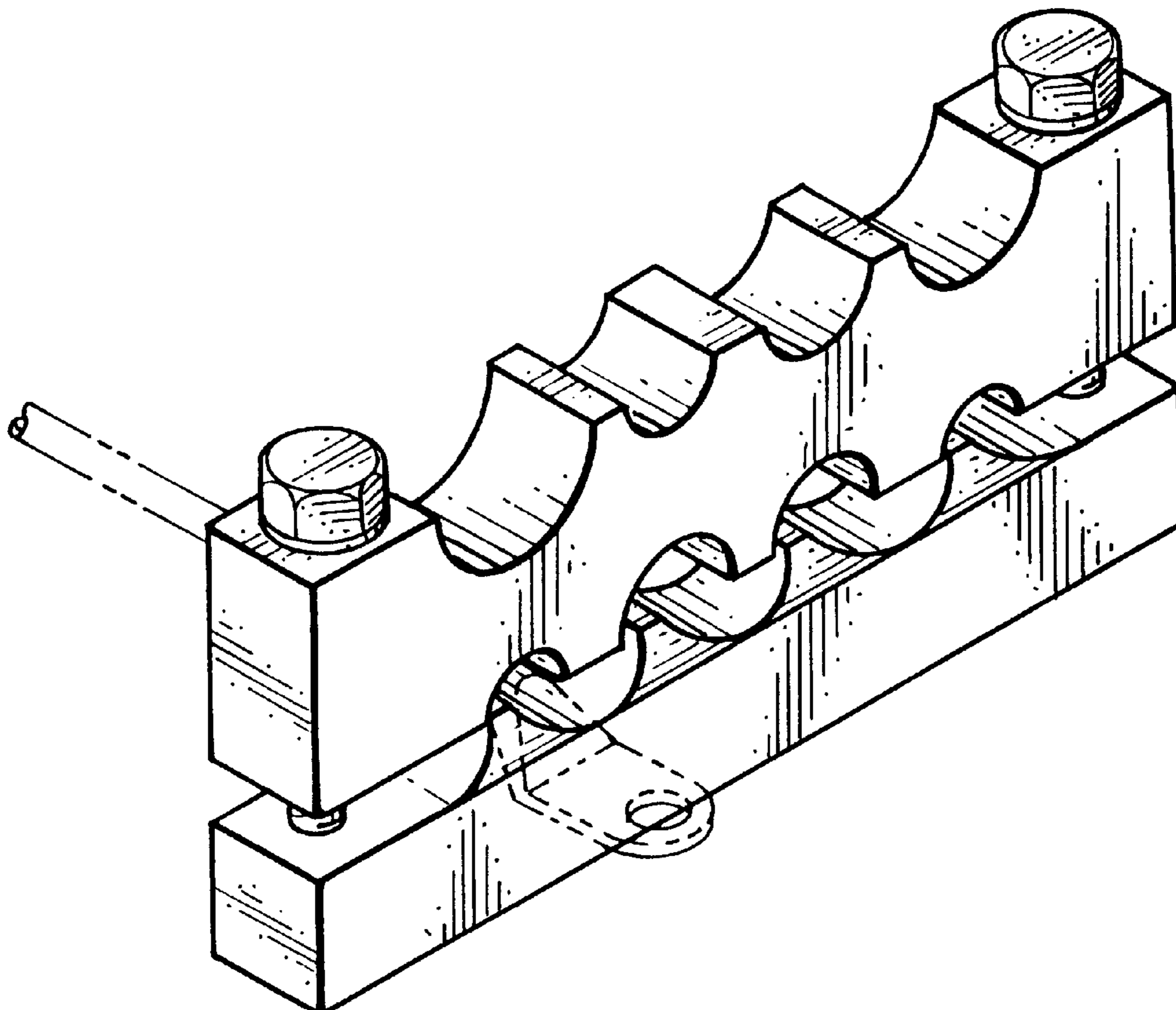
(57) **CLAIM**

The ornamental design for a heavy cable crimping block, substantially as shown and described.

DESCRIPTION

FIG. 1 is an isometric view of a heavy cable crimping block according to the invention showing the new design;
 FIG. 2 is a front view, the rear view being an identical mirror image thereof;
 FIG. 3 is a right side view, the left side being an identical mirror image thereof;
 FIG. 4 is a top plan view thereof;
 FIG. 5 is a bottom plan view thereof; and,
 FIG. 6 is an isometric view similar to FIG. 1.
 The broken line showing of a partial cable is for illustrative purposes only and forms no part of the claimed design.

1 Claim, 2 Drawing Sheets



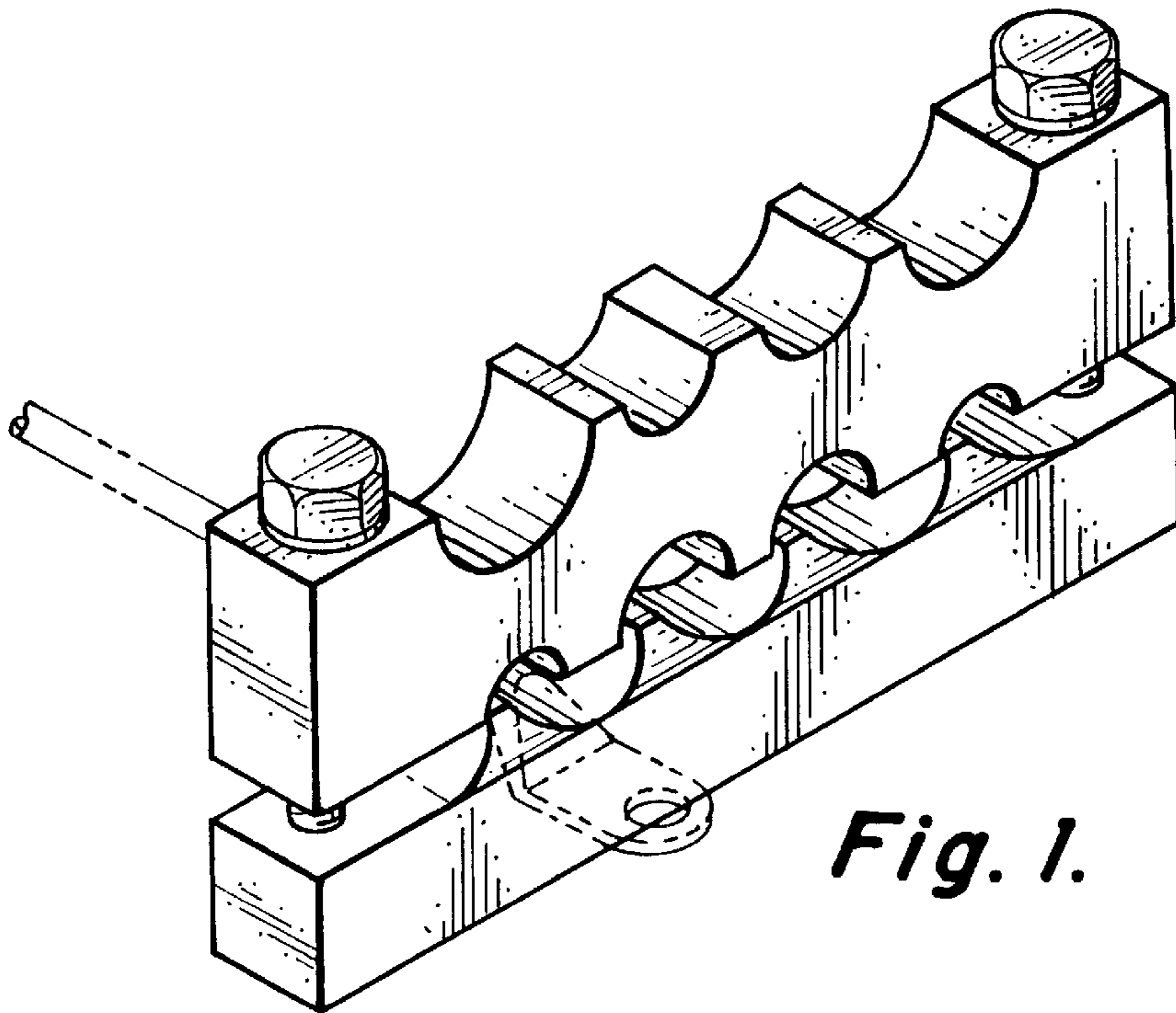


Fig. 1.

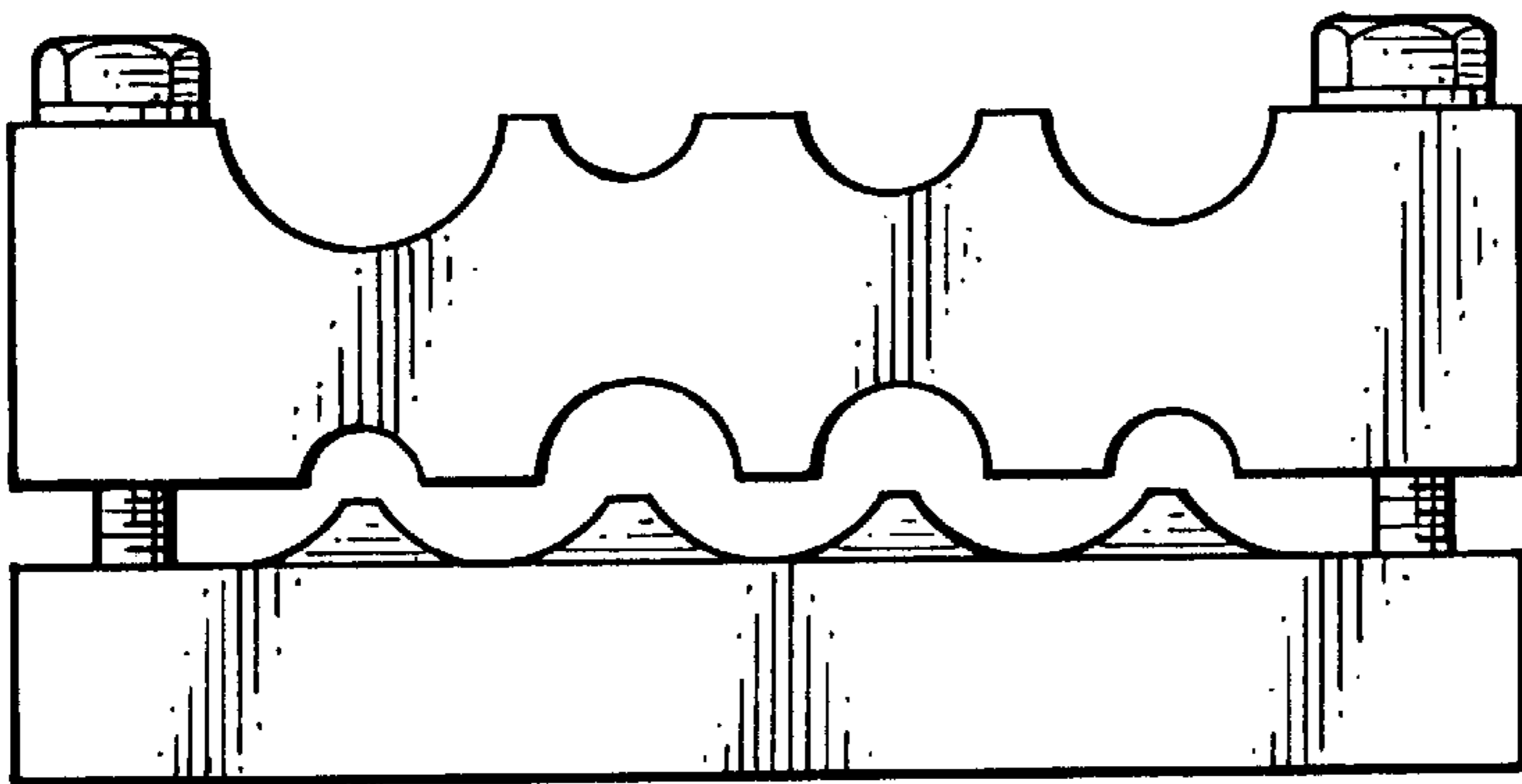


Fig. 2.

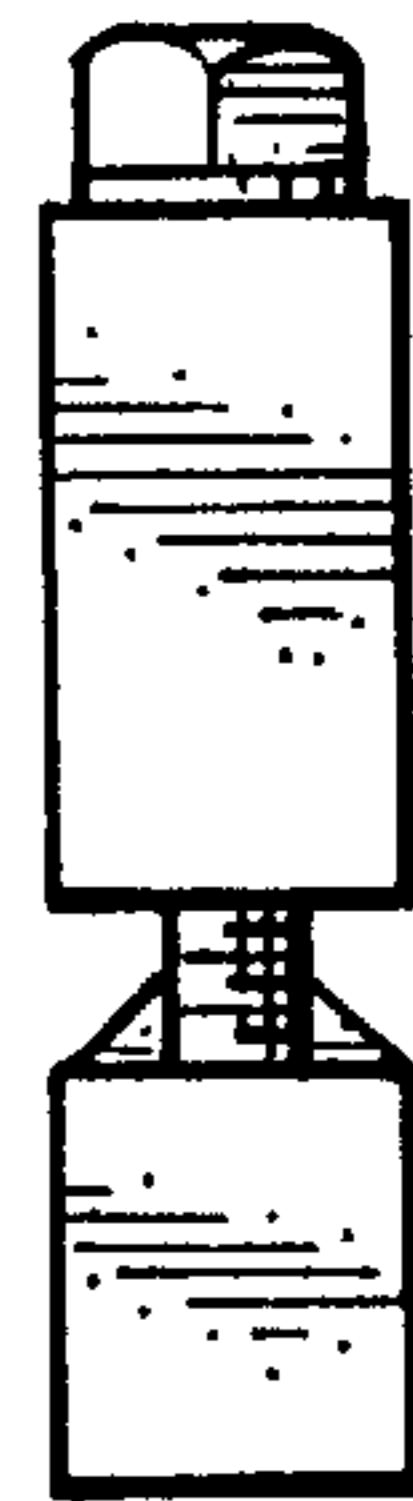


Fig. 3.

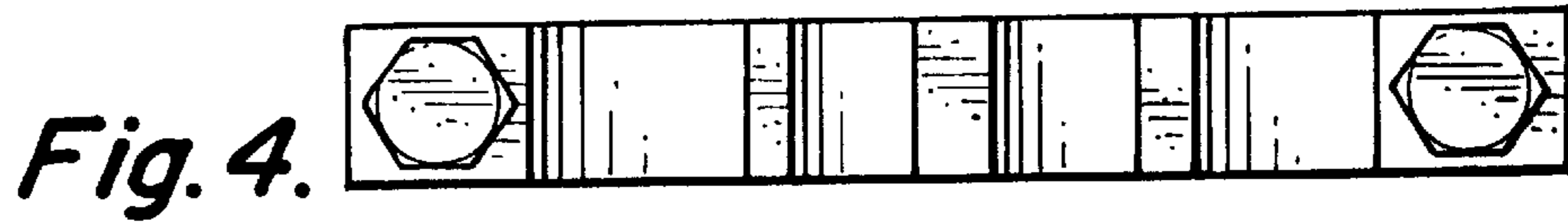


Fig. 4.

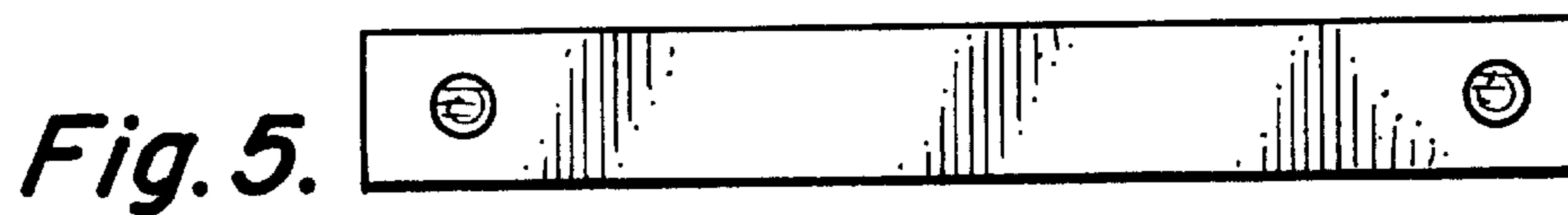


Fig. 5.

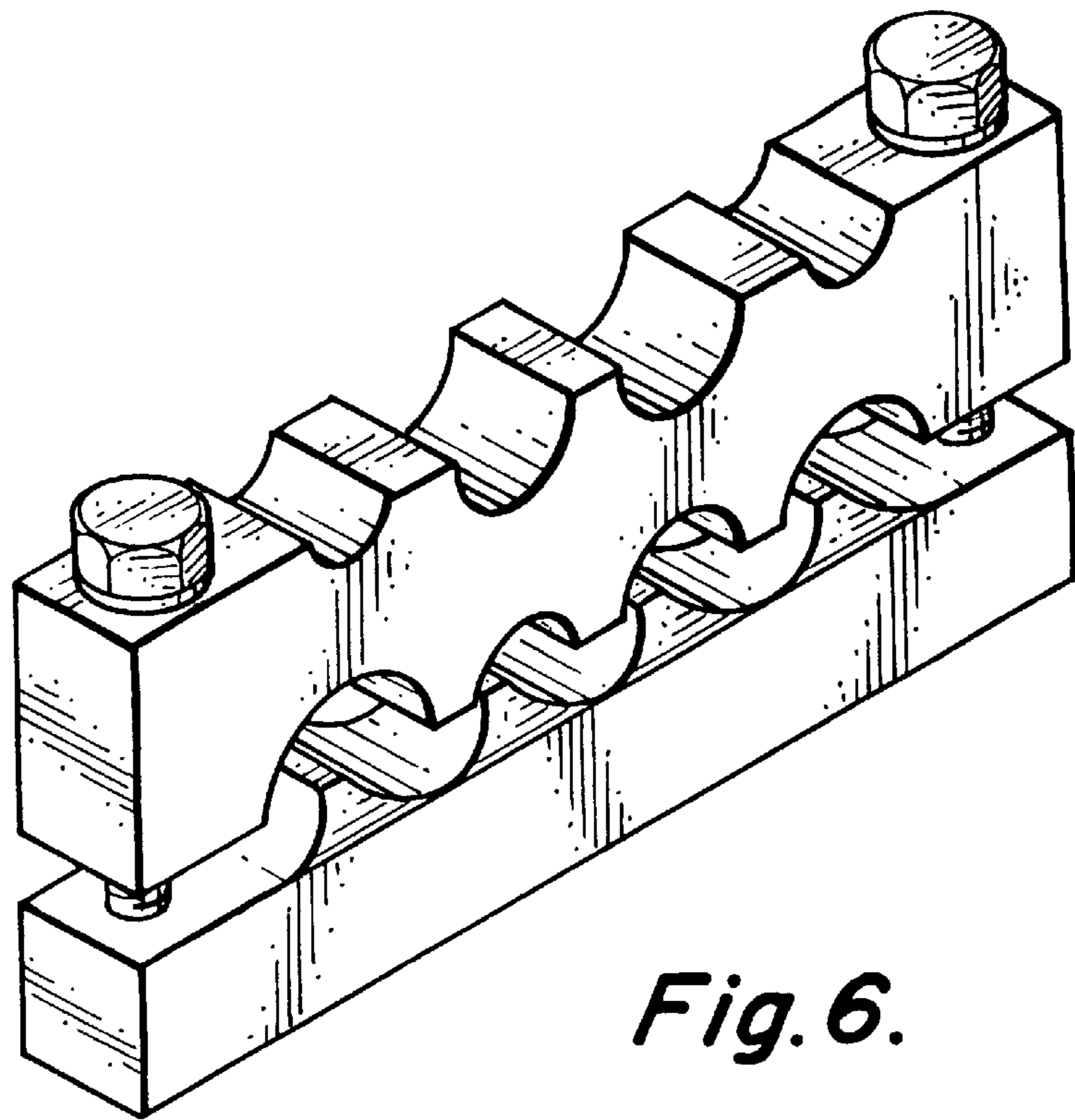


Fig. 6.