



US00D485159S

(12) **United States Design Patent**  
**Junkers**

(10) **Patent No.:** **US D485,159 S**

(45) **Date of Patent:** **\*\* Jan. 13, 2004**

(54) **SWIVEL CONNECTOR**

D420,894 S \* 2/2000 Wang ..... D8/382

(76) **Inventor:** **John K. Junkers**, 8 Stonewall Rd.,  
Saddle River, NJ (US) 07458

\* cited by examiner

(\*\*) **Term:** **14 Years**

*Primary Examiner*—Holly Baynham  
(74) *Attorney, Agent, or Firm*—Michael J. Striker

(21) **Appl. No.:** **29/178,606**

(57) **CLAIM**

(22) **Filed:** **Mar. 28, 2003**

The ornamental design of a swivel connector, as shown and described.

(51) **LOC (7) Cl.** ..... **08-08**

**DESCRIPTION**

(52) **U.S. Cl.** ..... **D8/382**

(58) **Field of Search** ..... D8/382; 403/403,  
403/405.1, 205, 292, 170-172, 231

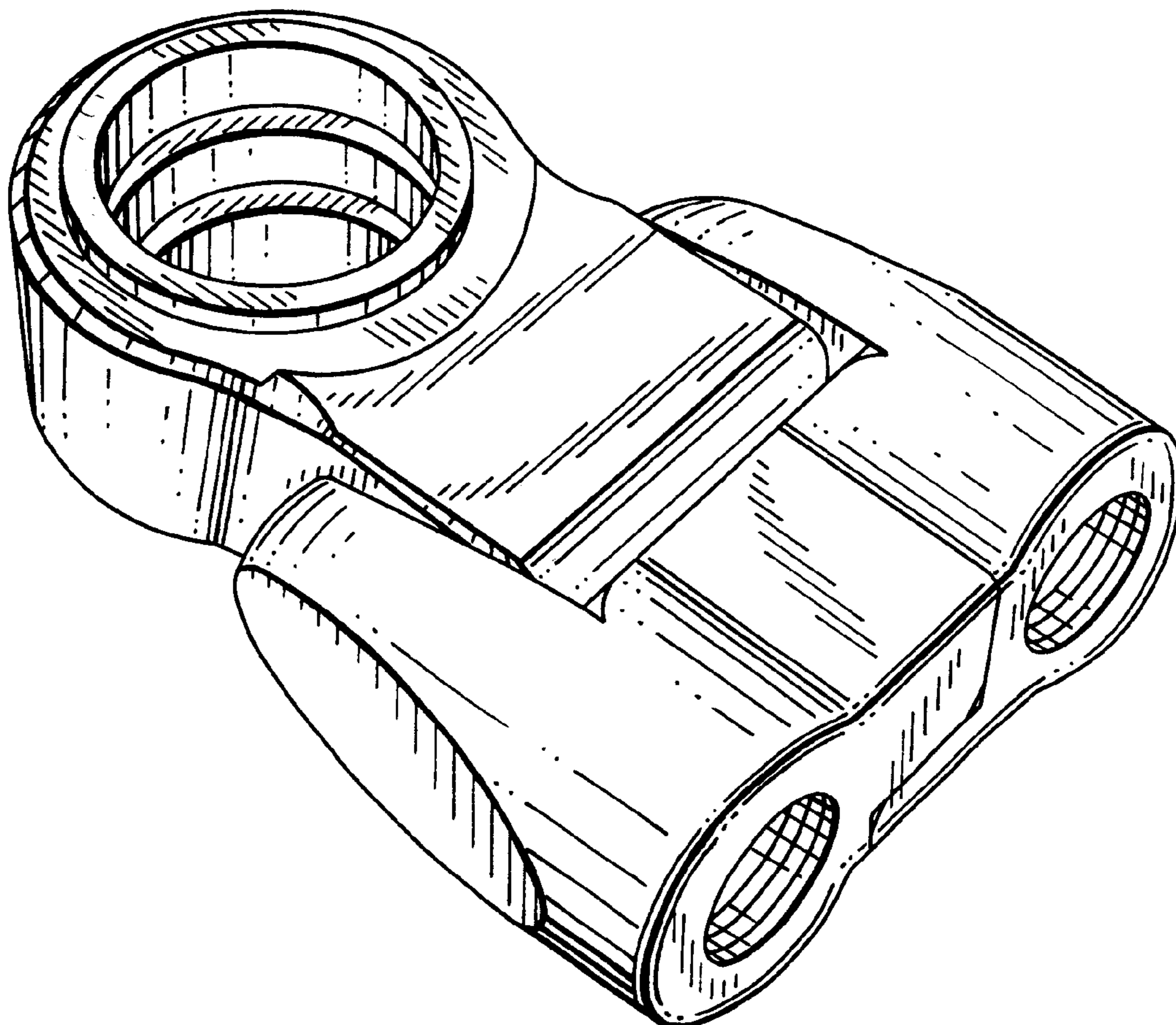
FIG. 1 is a top, front and left side view of a swivel connector showing my new design;  
FIG. 2 is a top plan view thereof;  
FIG. 3 is a bottom plan view thereof;  
FIG. 4 is a rear view thereof;  
FIG. 5 is a left side view thereof which is also a mirror image of the right side thereof; and,  
FIG. 6 is a front view thereof.

(56) **References Cited**

**U.S. PATENT DOCUMENTS**

D373,720 S	*	9/1996	Hirano et al.	.....	D8/382
D416,474 S	*	11/1999	Wang	.....	D8/382
D420,279 S	*	2/2000	Wang	.....	D8/382
D420,280 S	*	2/2000	Wang	.....	D8/382

**1 Claim, 2 Drawing Sheets**



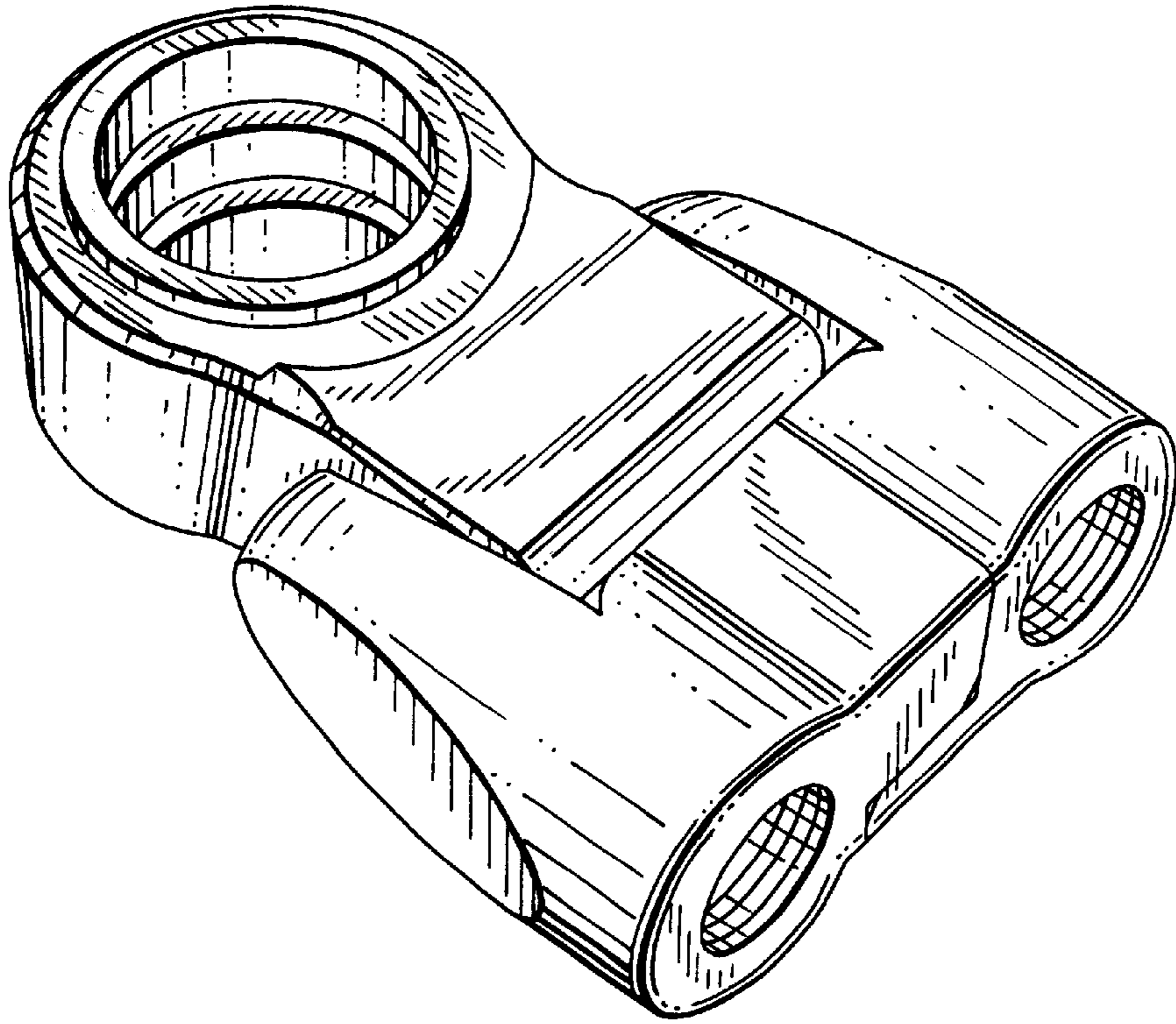


FIG. 1

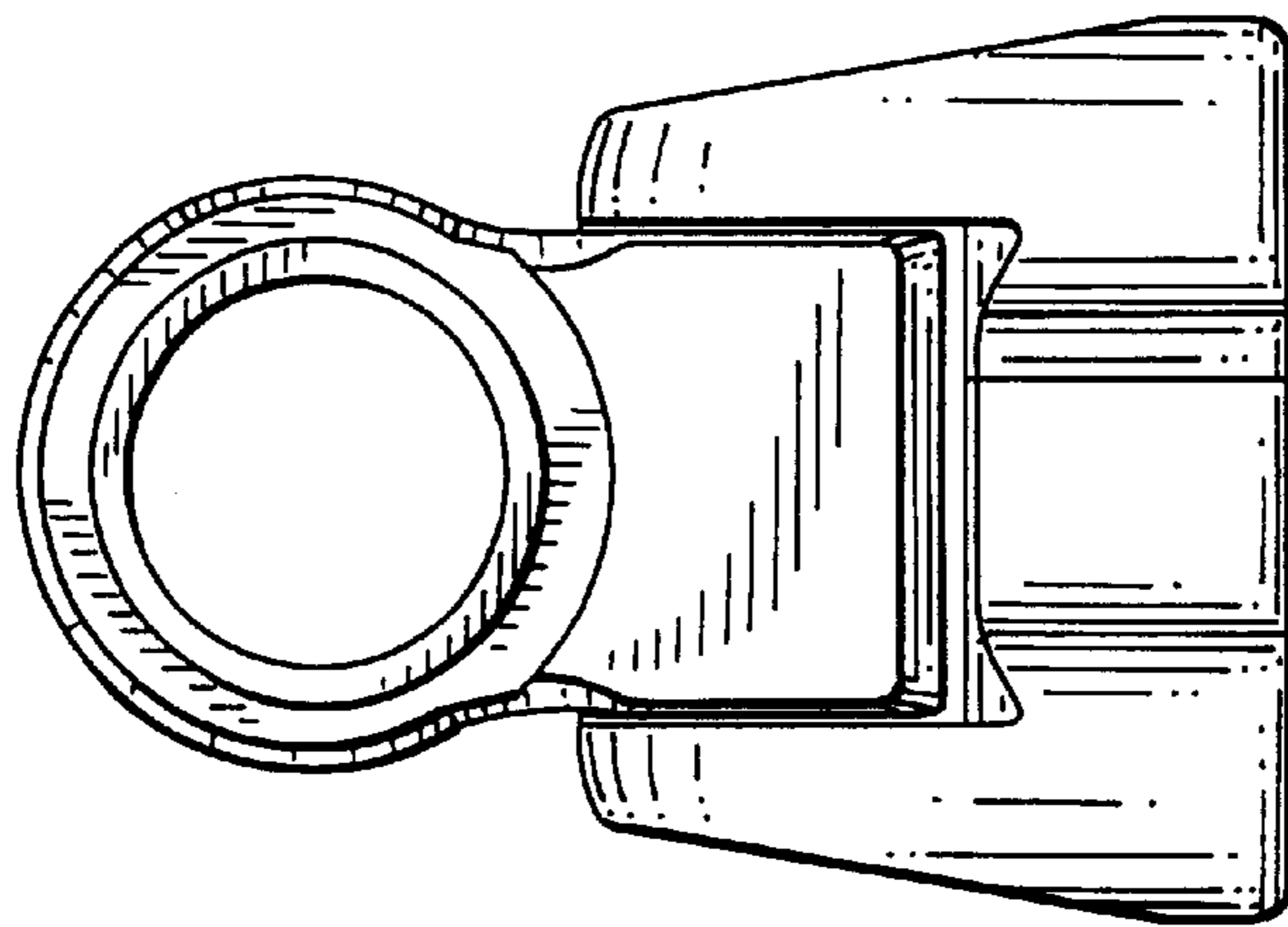


FIG. 2

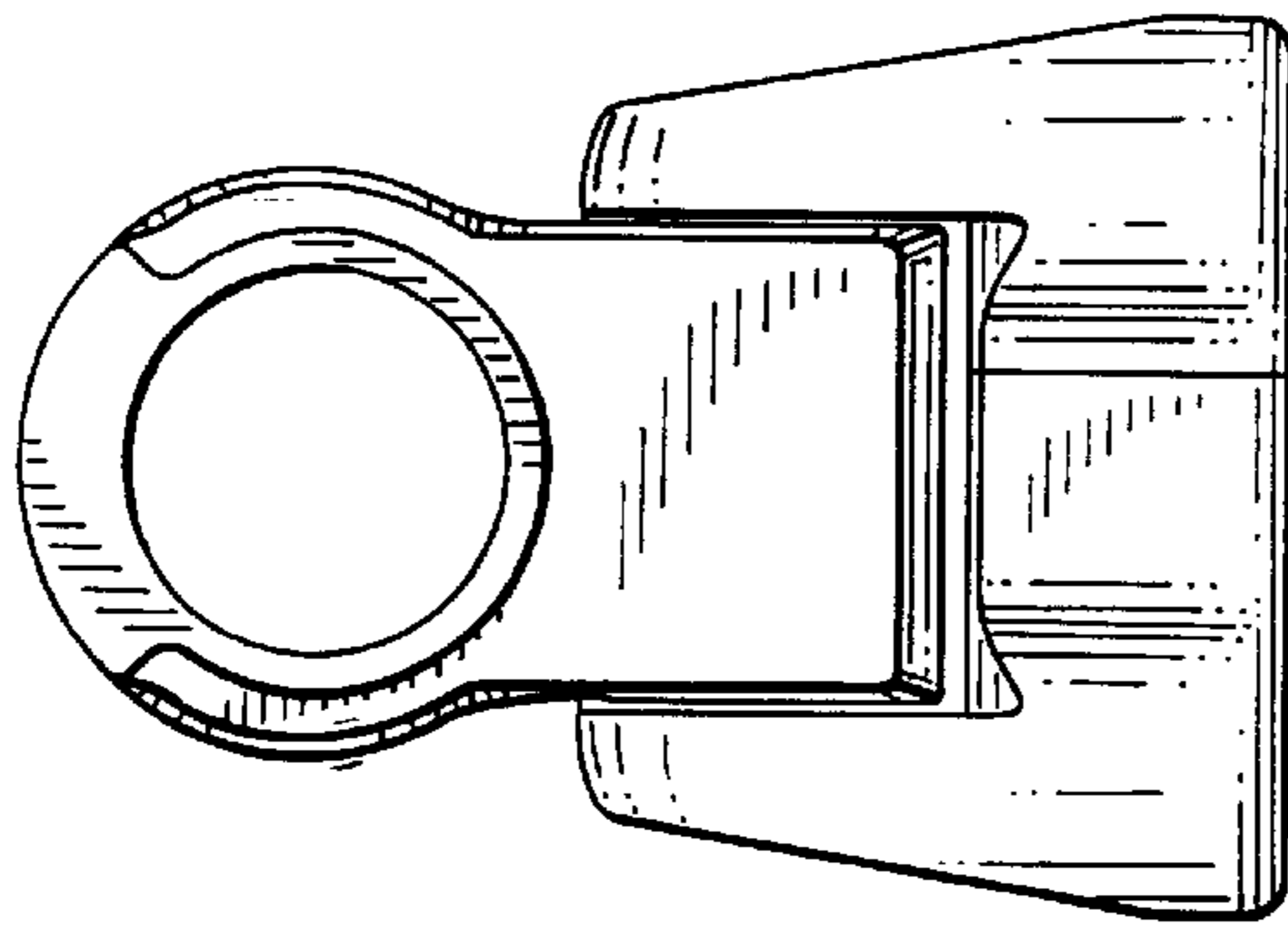


FIG. 3

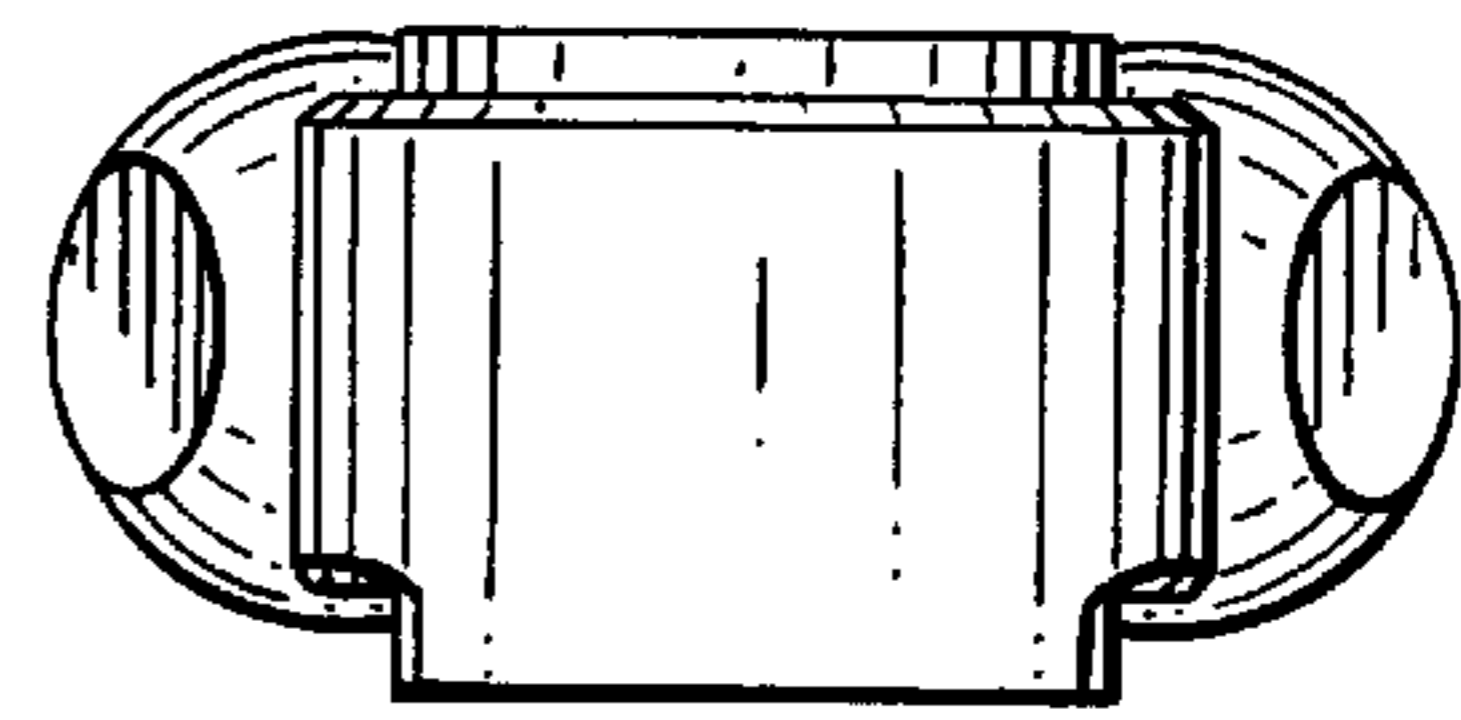


FIG. 4

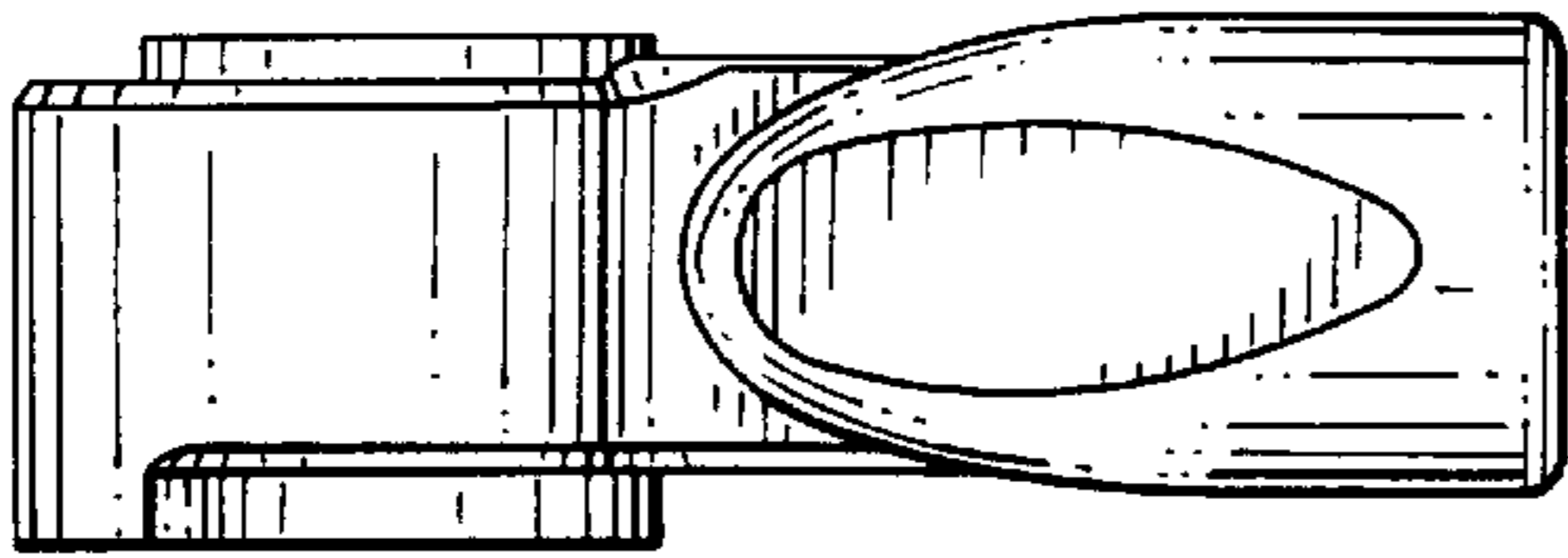


FIG. 5

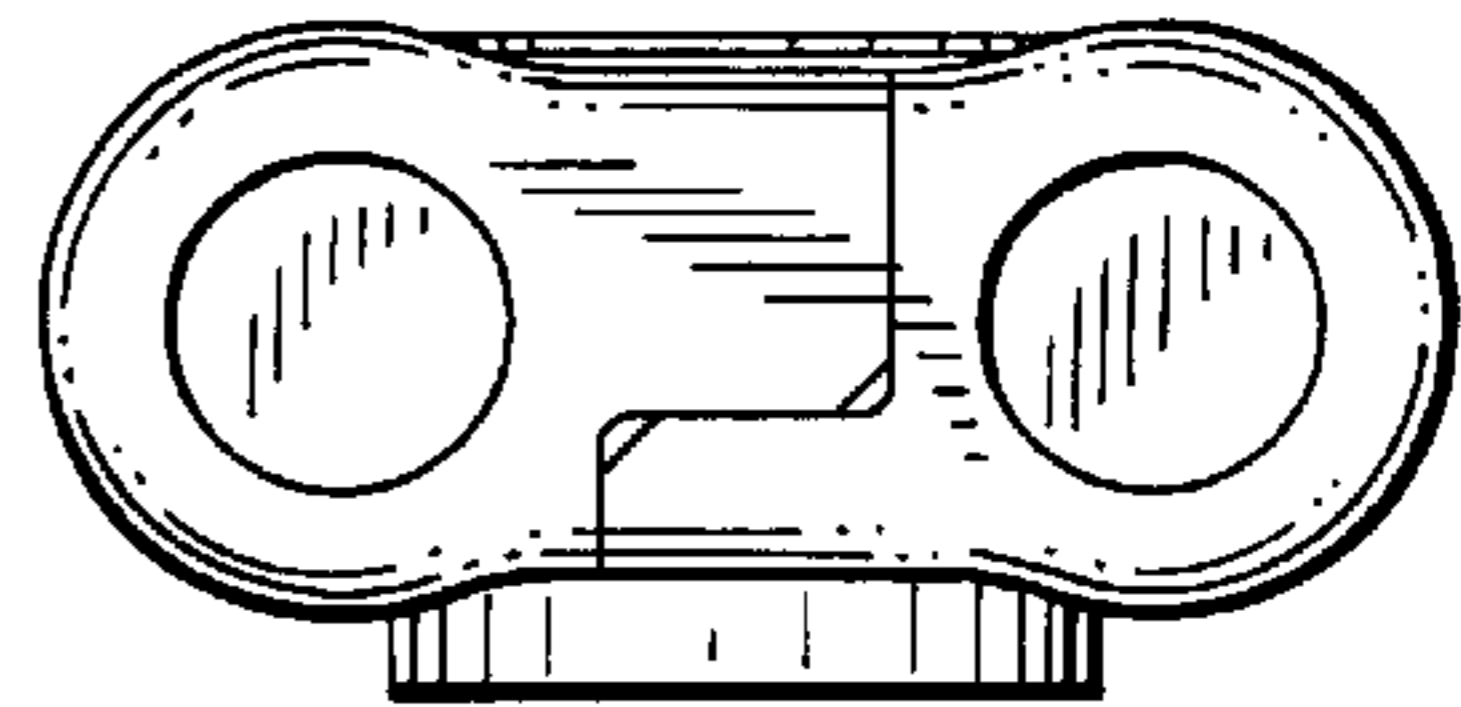


FIG. 6