



US00D485158S

(12) **United States Design Patent**
Thompson et al.

(10) **Patent No.:** **US D485,158 S**

(45) **Date of Patent:** **** Jan. 13, 2004**

(54) **DIRECTIONAL LOCK**

FOREIGN PATENT DOCUMENTS

(75) Inventors: **Ralph Thompson**, Burlington (CA);
Geoff Rutherford, Milton (CA)

EP 0 558 108 B1 9/1996

* cited by examiner

(73) Assignee: **M.C. Healthcare Products Inc.**,
Beamsville (CA)

Primary Examiner—Holly Baynham

(**) Term: **14 Years**

(57) **CLAIM**

The ornamental design for a directional lock, as shown and described.

(21) Appl. No.: **29/168,823**

(22) Filed: **Oct. 10, 2002**

DESCRIPTION

(30) **Foreign Application Priority Data**

Oct. 9, 2002 (CA) 100885

FIG. 1 is a perspective view from the top of the directional lock showing our new design;

(51) **LOC (7) Cl.** **08-05**

FIG. 2 is a perspective view from the bottom thereof;

(52) **U.S. Cl.** **D8/375**

FIG. 3 is a front view thereof;

(58) **Field of Search** D8/375; 16/18 CG,
16/35 R, 45

FIG. 4 is a back view thereof;

FIG. 5 is a side view of a first side thereof;

FIG. 6 is a side view of a second side thereof;

FIG. 7 is a top view thereof;

FIG. 8 is a bottom view thereof;

(56) **References Cited**

U.S. PATENT DOCUMENTS

- 3,003,159 A 10/1961 Hebert et al.
- 3,220,020 A 11/1965 Nelson
- 3,636,586 A * 1/1972 Bollinger et al. 16/35 R
- 4,035,864 A 7/1977 Schroder
- 4,037,291 A * 7/1977 Huempfer et al. 16/35 R
- 4,385,414 A 5/1983 Damico
- 5,669,090 A 9/1997 Basgall
- 5,774,914 A 7/1998 Johnson et al.
- 6,163,924 A * 12/2000 Ward et al. 16/35 R
- 6,405,393 B2 6/2002 Megown

FIG. 9 is a reduced scale perspective view of the directional lock in a raised position, positioned adjacent to a castor;

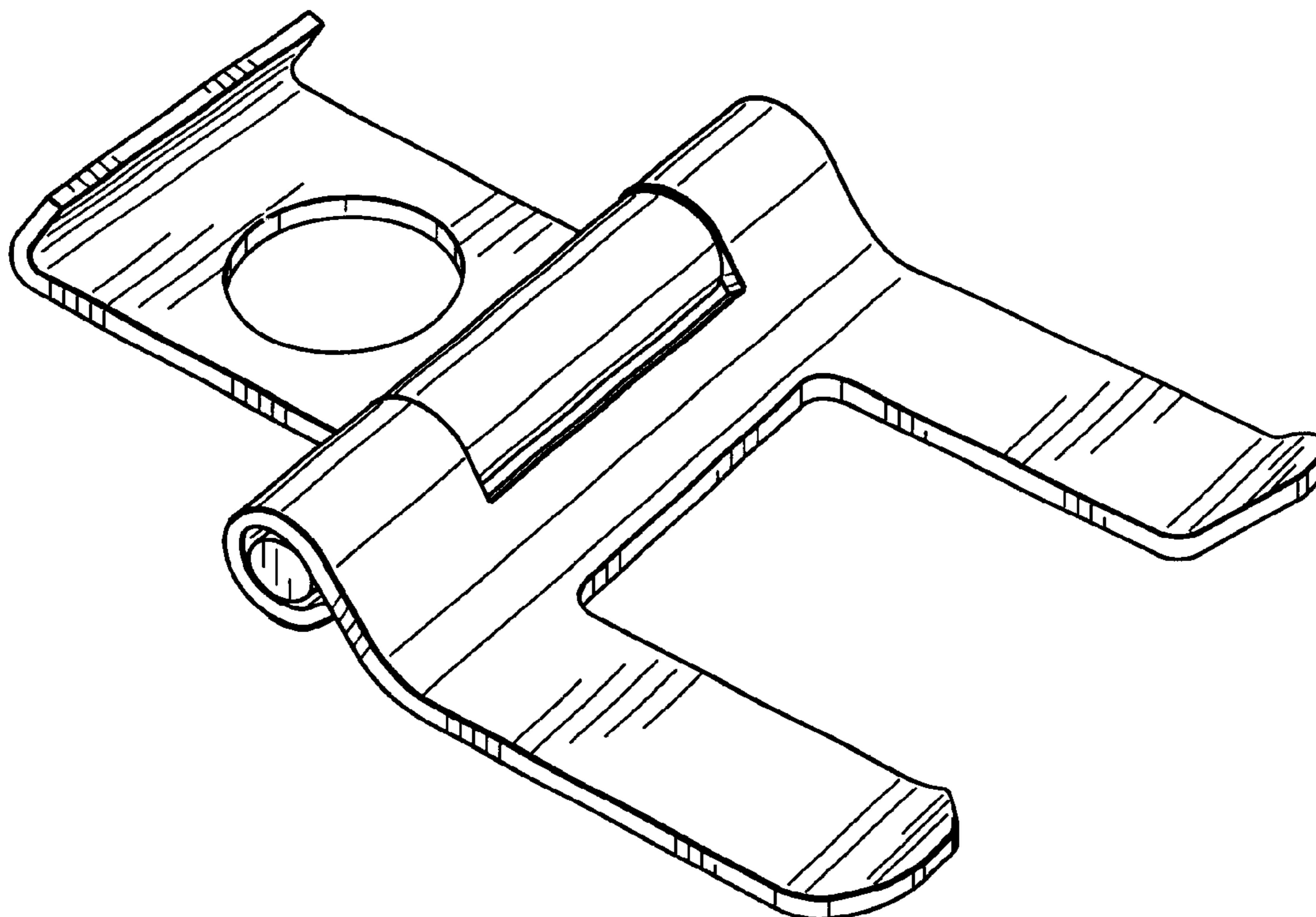
FIG. 10 is a perspective view of the directional lock in a lowered position;

FIG. 11 is a perspective view of the directional lock in the lowered position and on the castor; and,

FIG. 12 is a perspective view of the directional lock in a locked position on the castor.

The broken lines showing of environment are for illustrative purposes only and form no part of the claimed design.

1 Claim, 4 Drawing Sheets



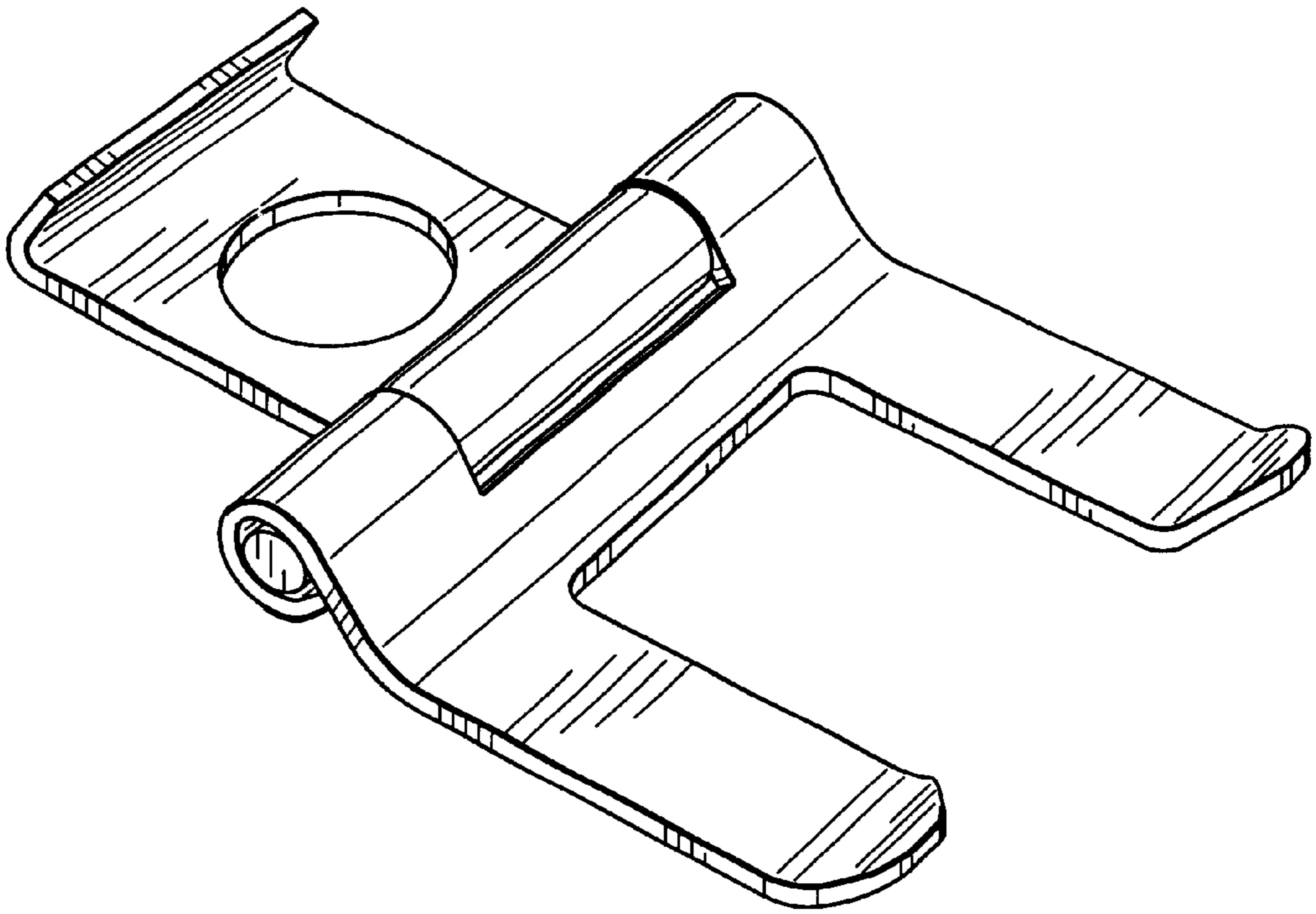


FIG. 1

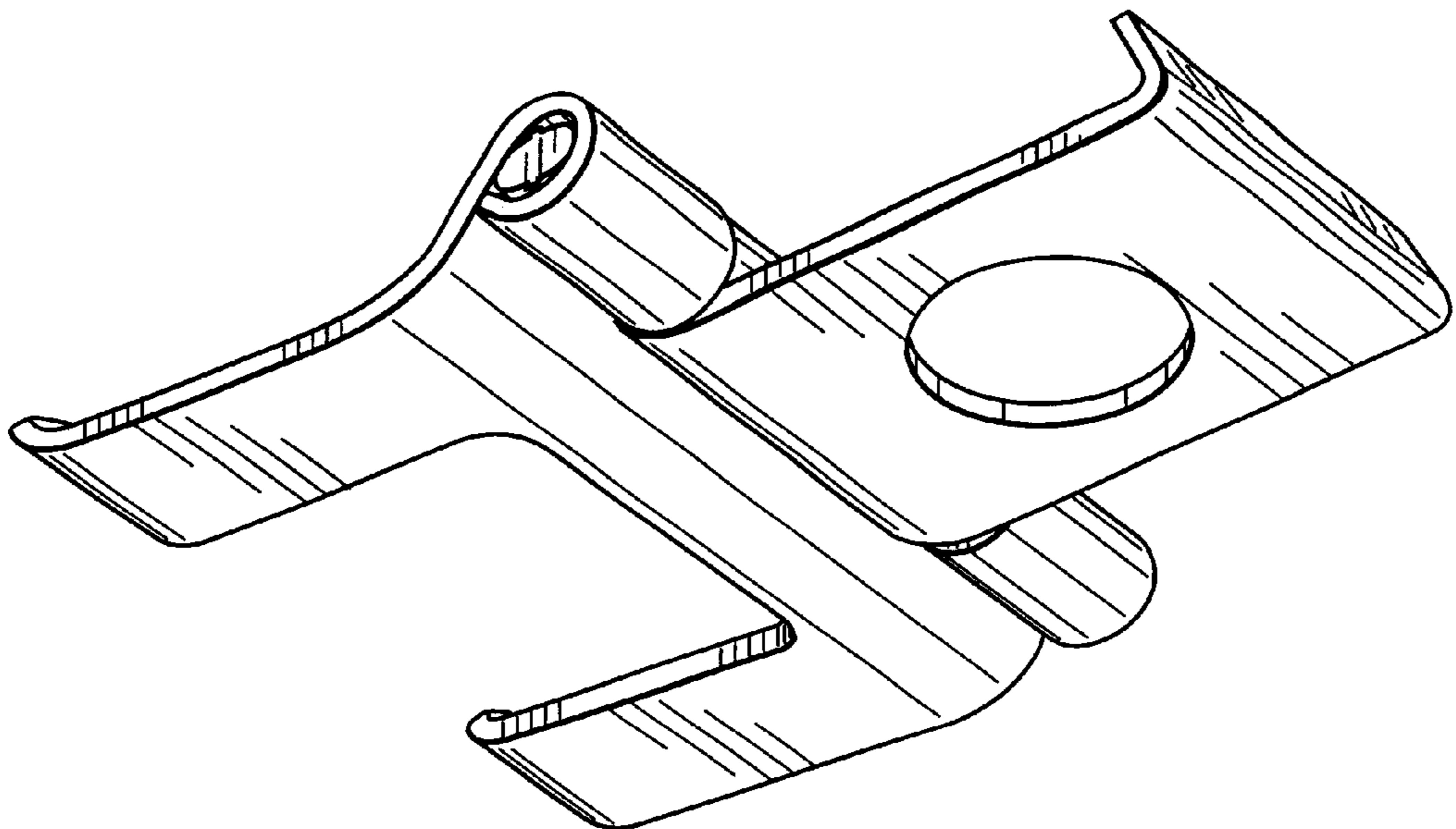


FIG. 2

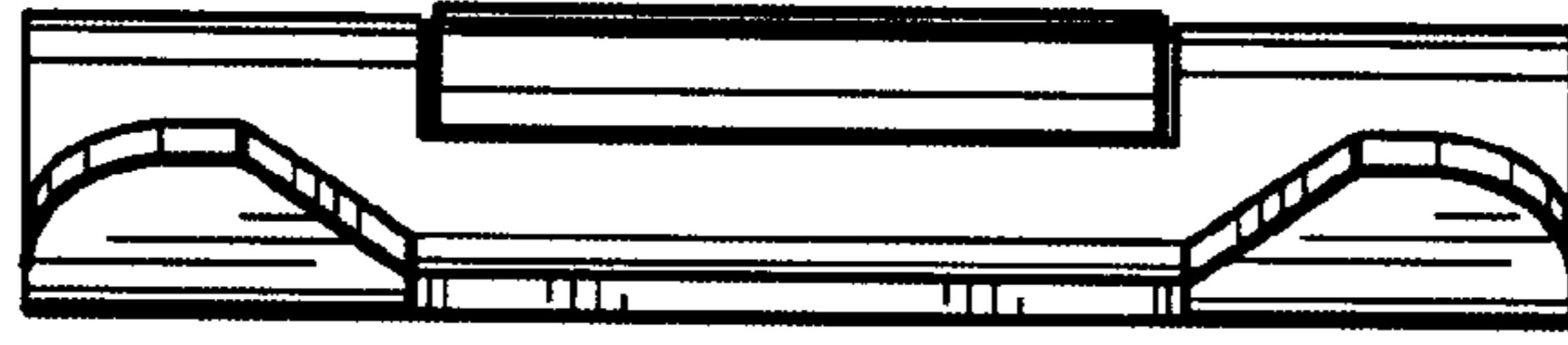


FIG. 3

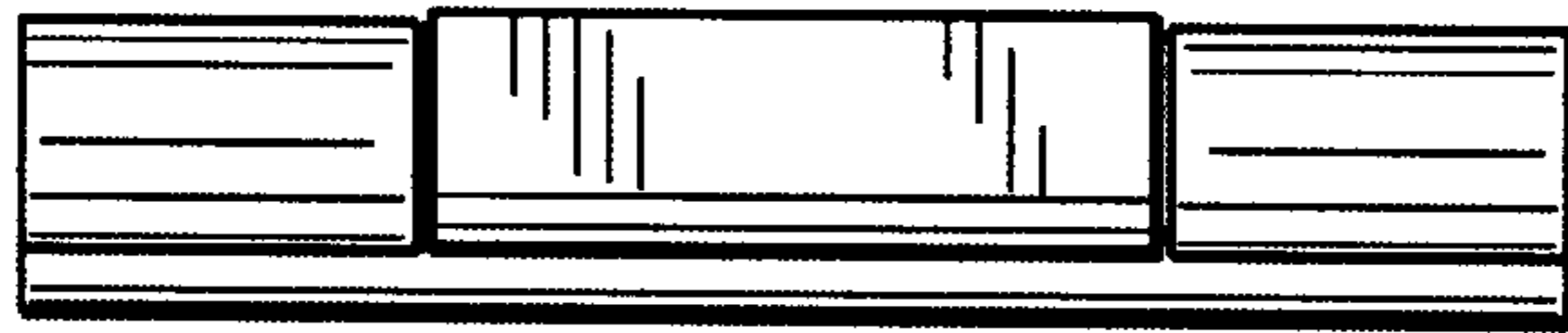


FIG. 4



FIG. 5

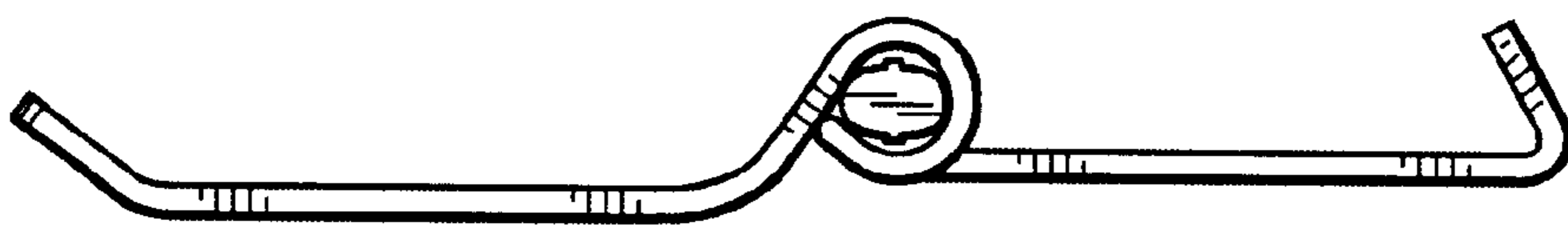


FIG. 6

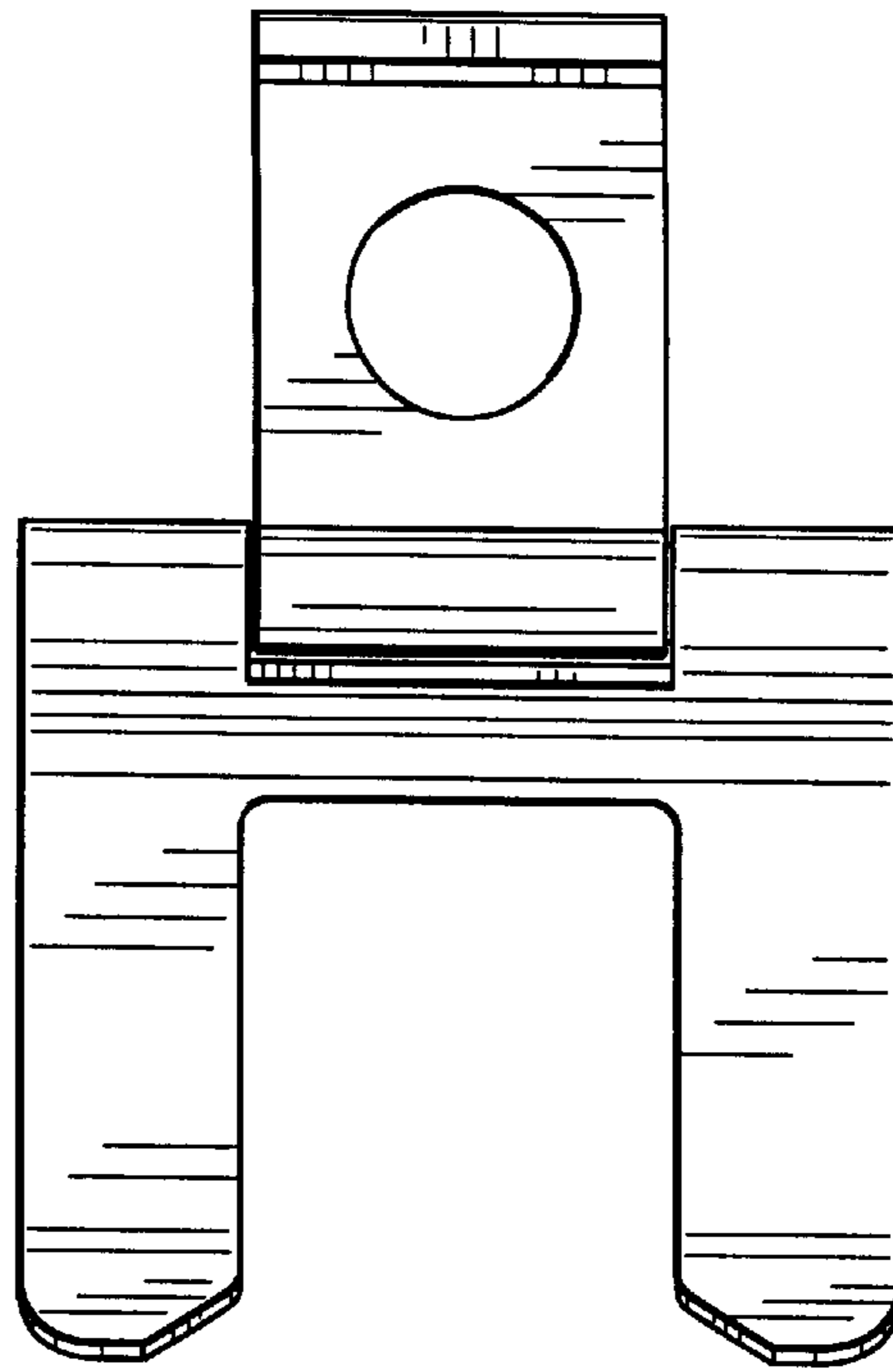


FIG. 7

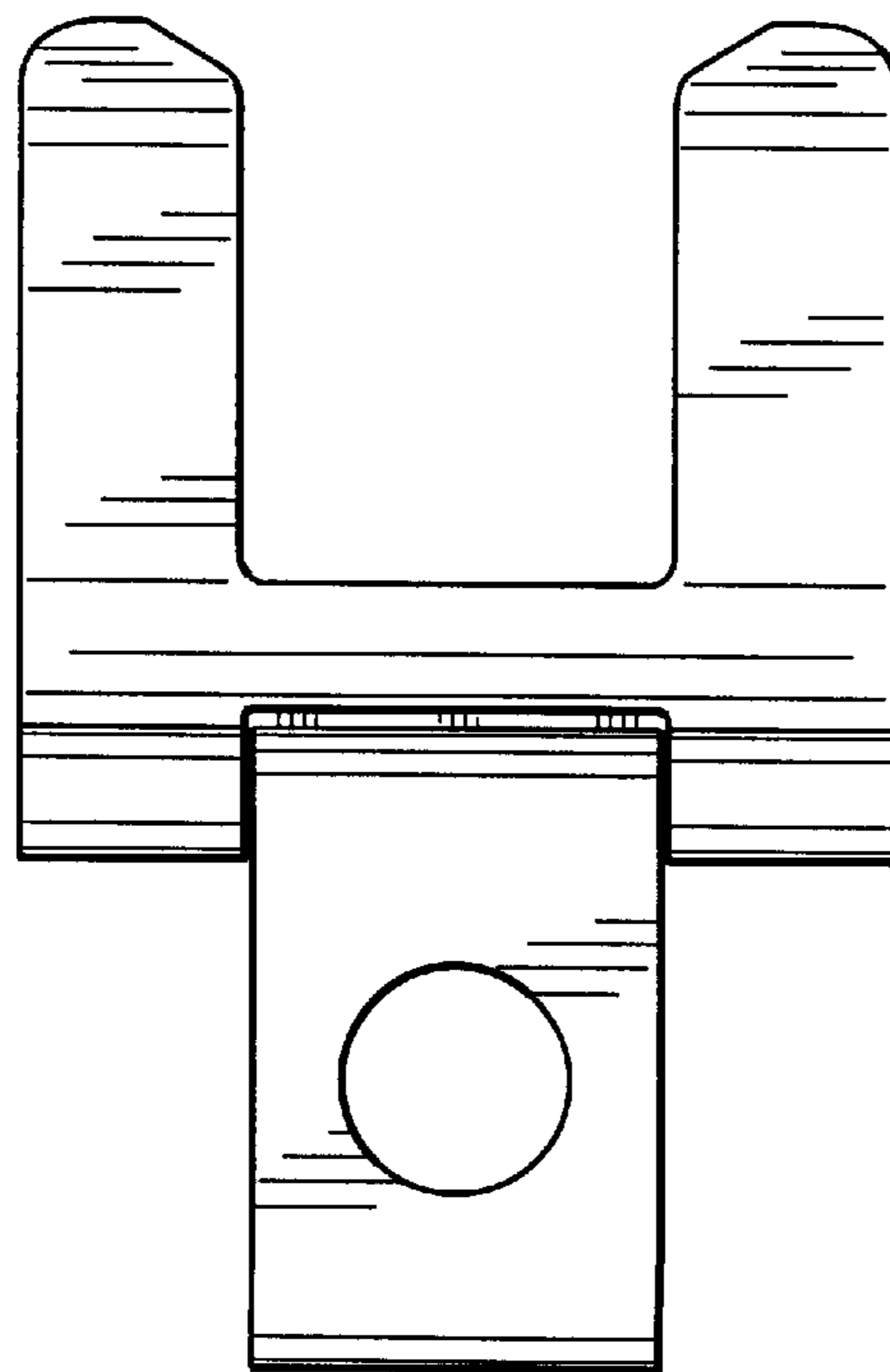


FIG. 8

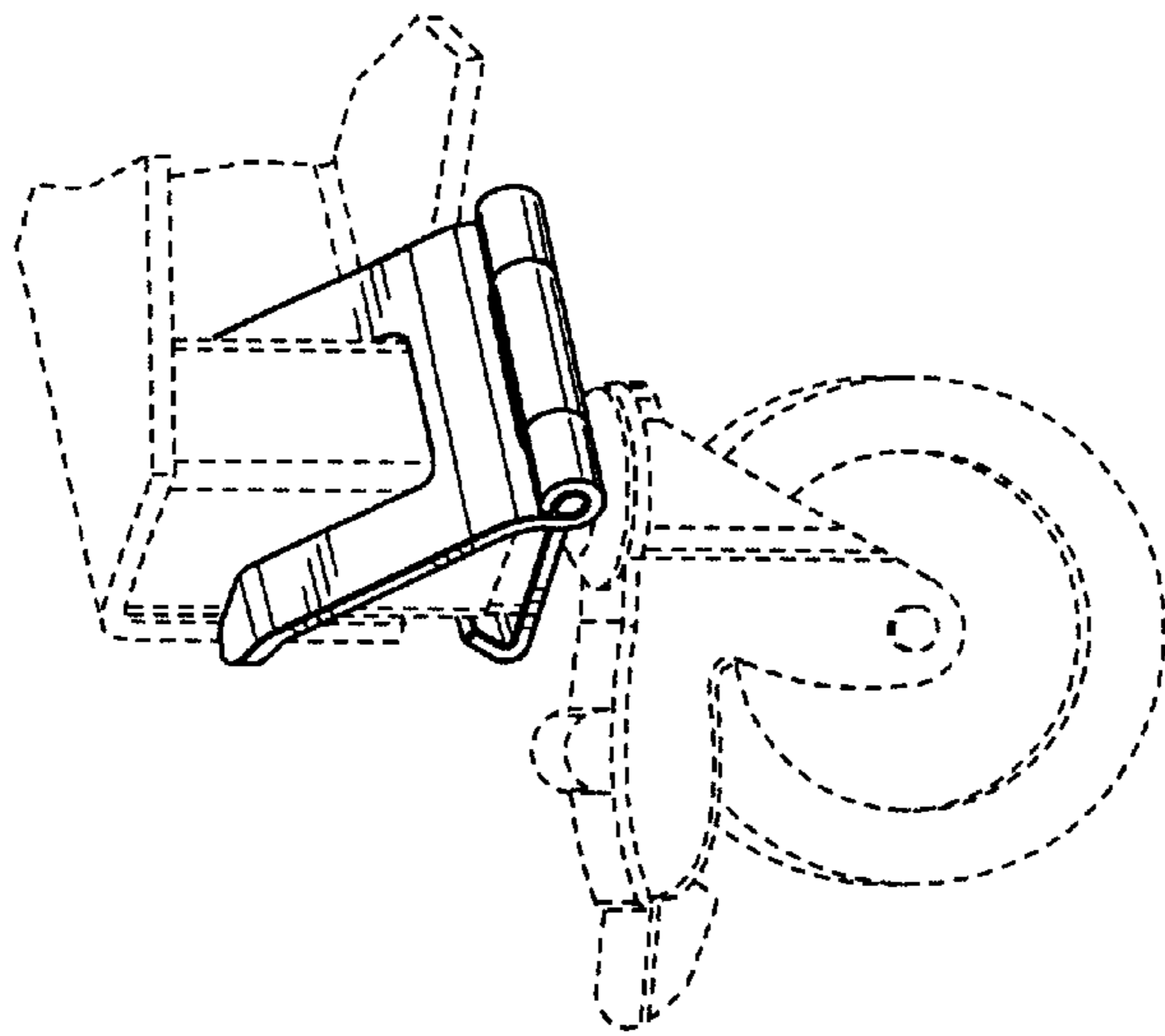


FIG. 9

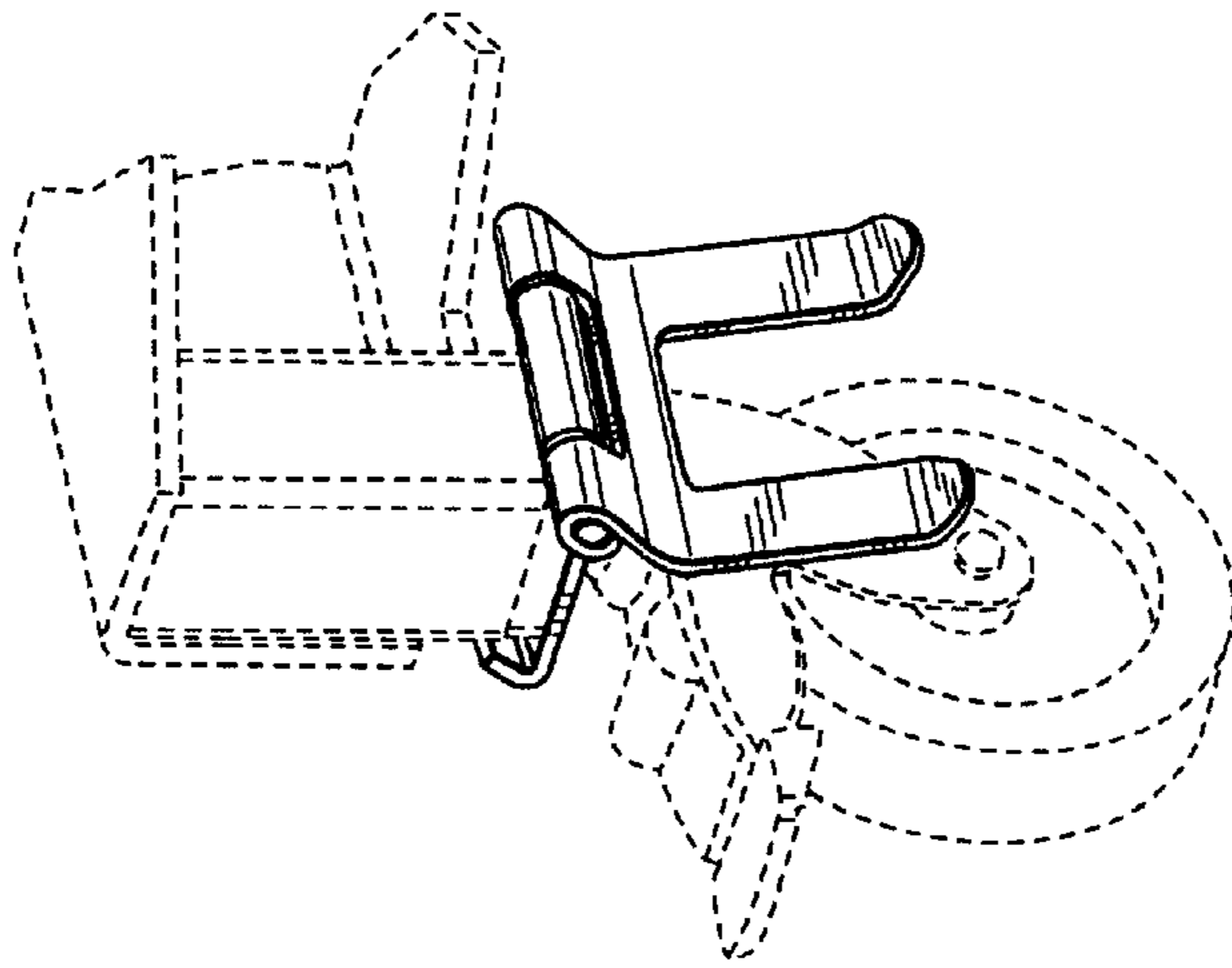


FIG. 10

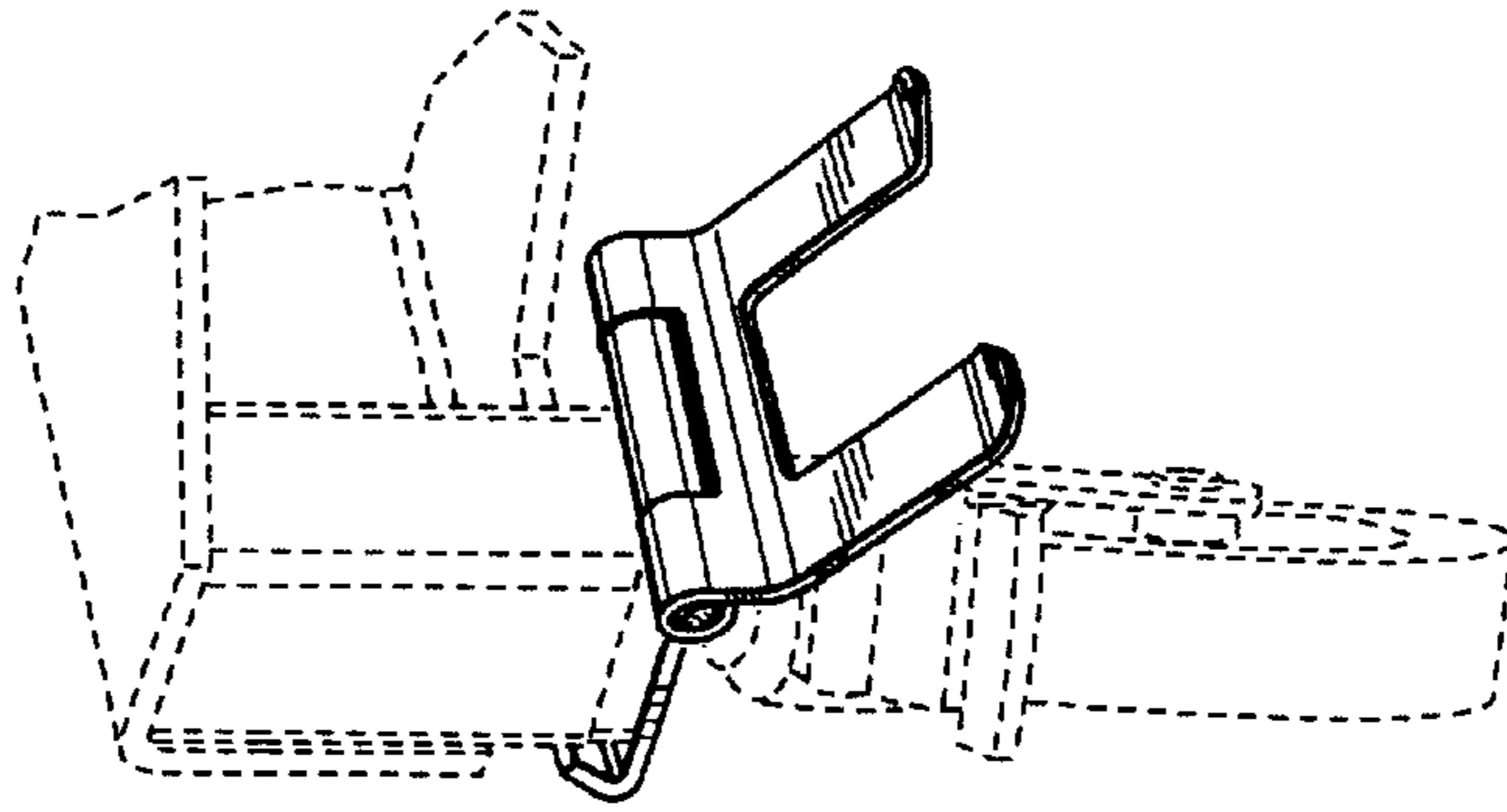


FIG. 11

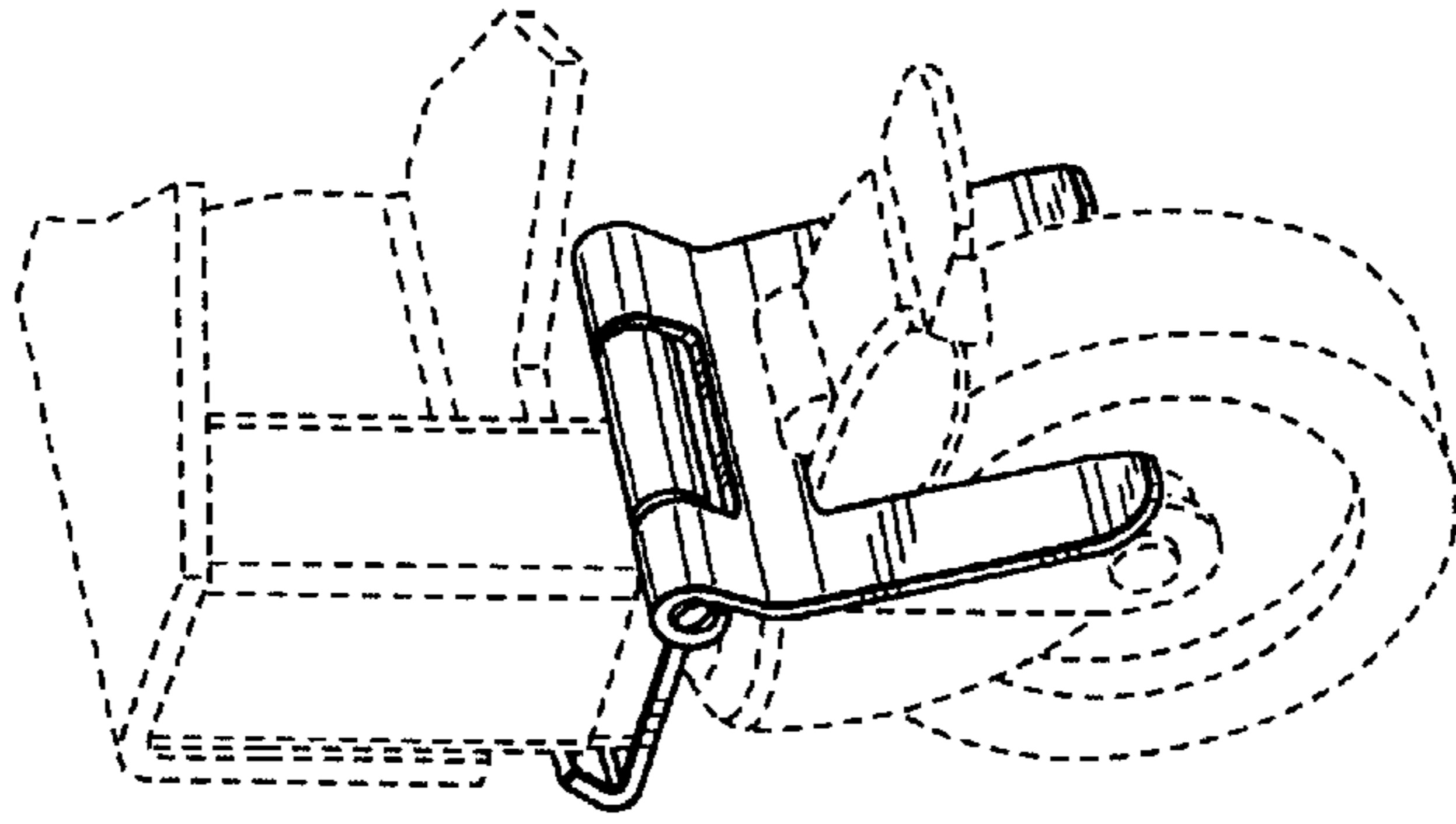


FIG. 12