



US00D485157S

(12) **United States Design Patent**  
**Rodrigue**

(10) **Patent No.:** **US D485,157 S**

(45) **Date of Patent:** **\*\* Jan. 13, 2004**

(54) **LATERAL HOOK MERCHANDISING BAR**

(75) Inventor: **Michael Rodrigue**, Rancho Cucamonga, CA (US)

(73) Assignee: **Bradshaw International, Inc.**, Rancho Cucamonga, CA (US)

(\*\*) Term: **14 Years**

(21) Appl. No.: **29/156,774**

(22) Filed: **Mar. 8, 2002**

(51) **LOC (7) Cl.** ..... **08-05**

(52) **U.S. Cl.** ..... **D8/372; D6/323**

(58) **Field of Search** ..... D8/372, 370, 367; 248/302-304, 558, 309.2, 176, 200; 211/106.01, 113, 123, 118, 87.01, 48, 59.1; D6/566, 320, 569

(56) **References Cited**

**U.S. PATENT DOCUMENTS**

177,936 A	5/1876	Haines	
565,525 A	8/1896	Tucker	
D43,289 S	11/1912	Sternau	
1,998,243 A	4/1935	Krueger	
3,411,633 A	11/1968	Magnuson	
4,264,013 A *	4/1981	Vollmer	211/13
4,372,450 A	2/1983	Licari et al.	
D291,031 S	7/1987	Luongo	
D291,154 S	8/1987	Owen	
4,834,248 A	5/1989	Lee	
D348,165 S *	6/1994	Walaski	D6/566
D355,841 S	2/1995	Goodman et al.	
D378,252 S	3/1997	Smith	
D423,269 S *	4/2000	Laga et al.	D6/566

\* cited by examiner

*Primary Examiner*—Pamela Burgess

(74) *Attorney, Agent, or Firm*—Birch, Stewart, Kolasch & Birch, LLP

(57) **CLAIM**

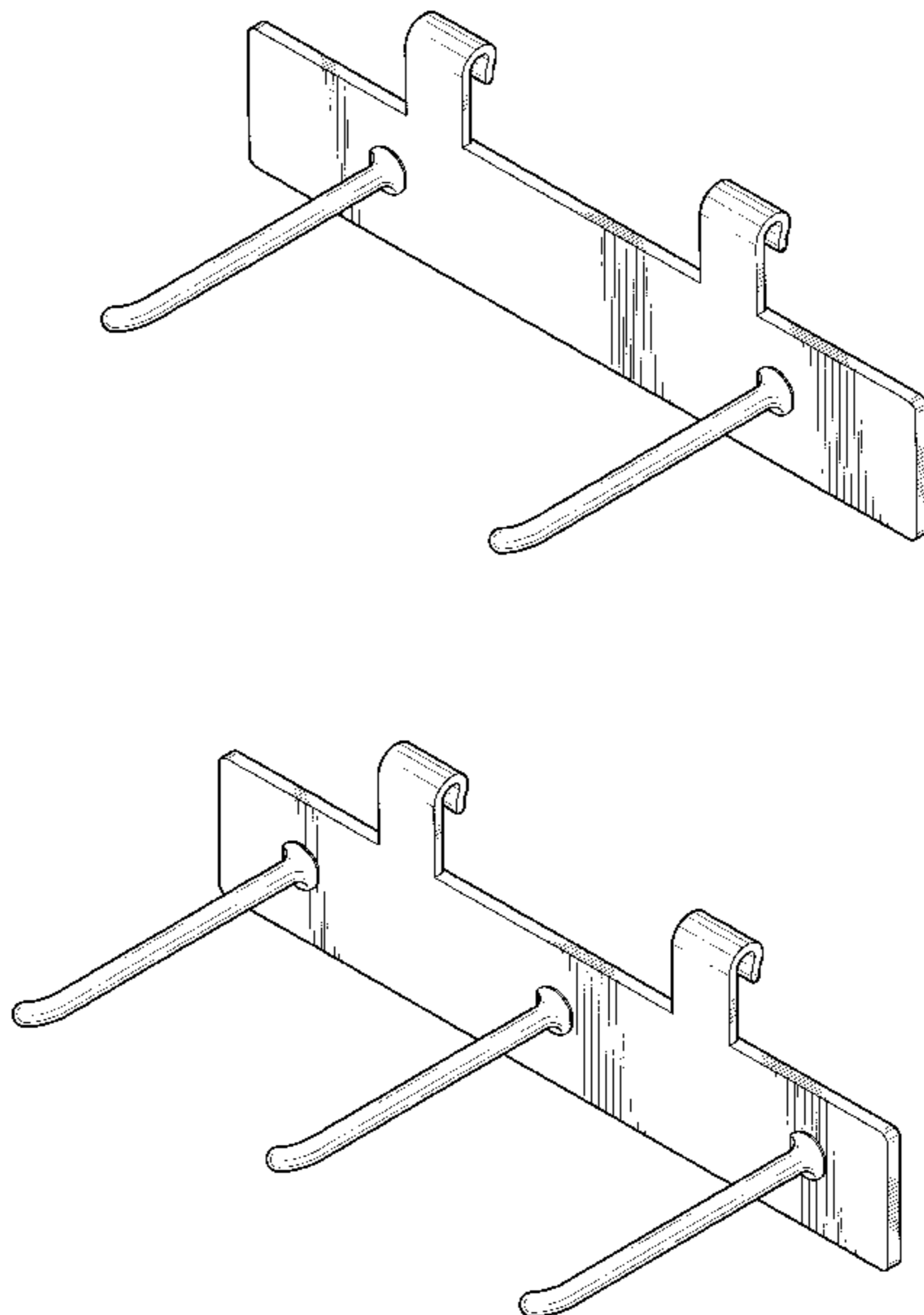
The ornamental design for a lateral hook merchandising bar, as shown and described.

**DESCRIPTION**

FIG. 1 is a front, right perspective view of a lateral hook merchandising bar showing my new design;  
 FIG. 2 is a front elevational view thereof;  
 FIG. 3 is a right side view thereof, the left side view being a mirror image thereof;  
 FIG. 4 is a bottom plan view thereof;  
 FIG. 5 is a top plan view thereof;  
 FIG. 6 is a front, right perspective view of a second embodiment of the lateral hook merchandising bar showing my new design;  
 FIG. 7 is a front elevational view of the second embodiment;  
 FIG. 8 is a bottom plan view of the second embodiment;  
 FIG. 9 is a top plan view of the second embodiment;  
 FIG. 10 is a front, right perspective view of a third embodiment of the lateral hook merchandising bar showing my new design;  
 FIG. 11 is a front elevational view of the third embodiment;  
 FIG. 12 is a bottom plan view of the third embodiment; and,  
 FIG. 13 is a top plan view of the third embodiment.

For the second and third embodiments, the side views are the same as the first embodiment.  
 In the first, second, and third embodiments, the back views are substantially flat and unornamented.

**1 Claim, 13 Drawing Sheets**



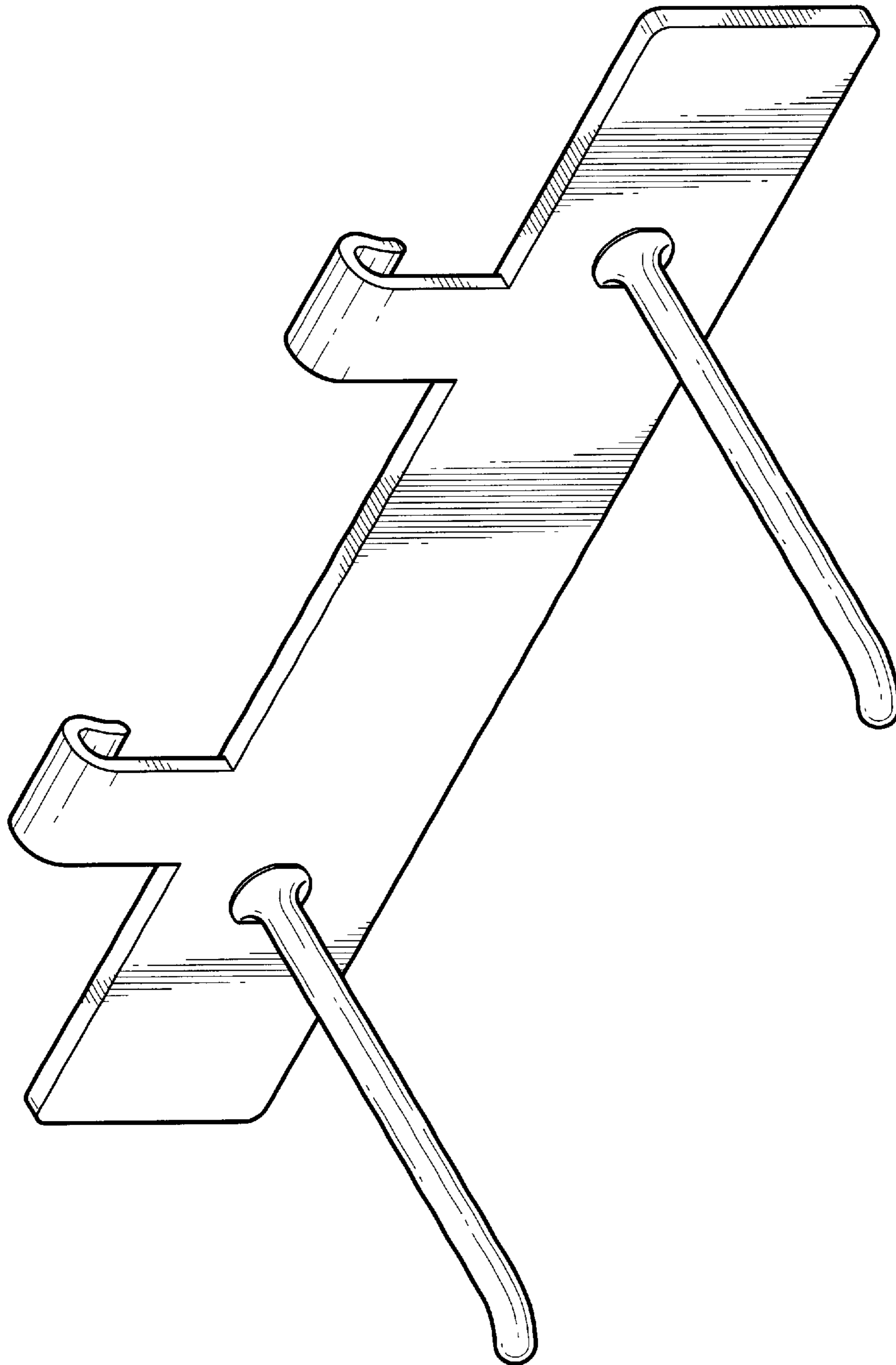


FIG.1

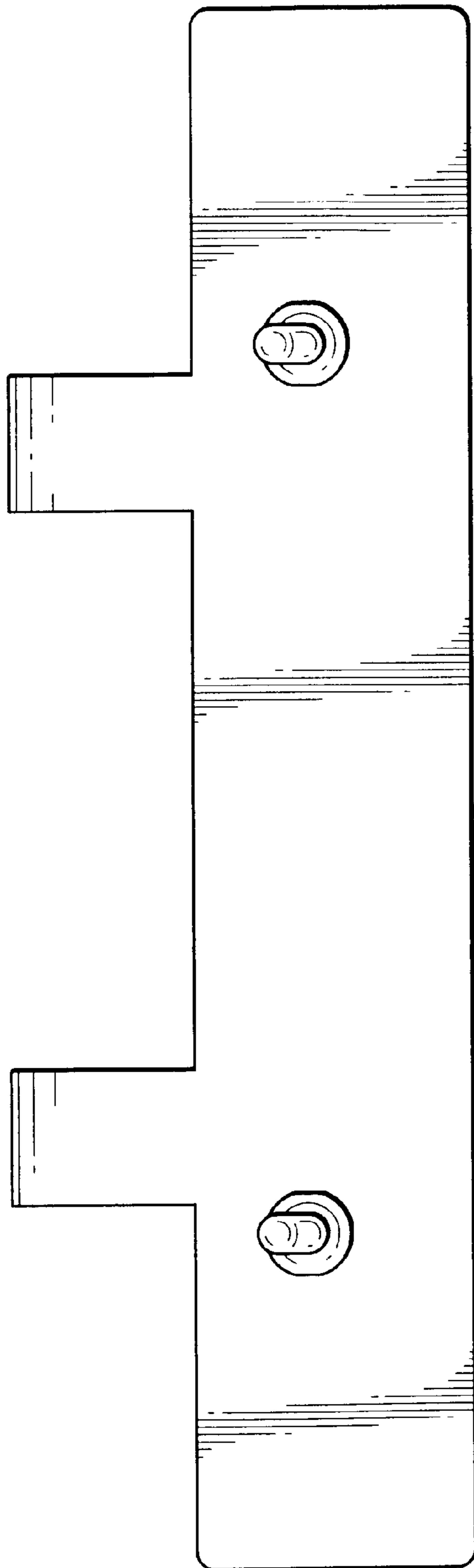


FIG. 2

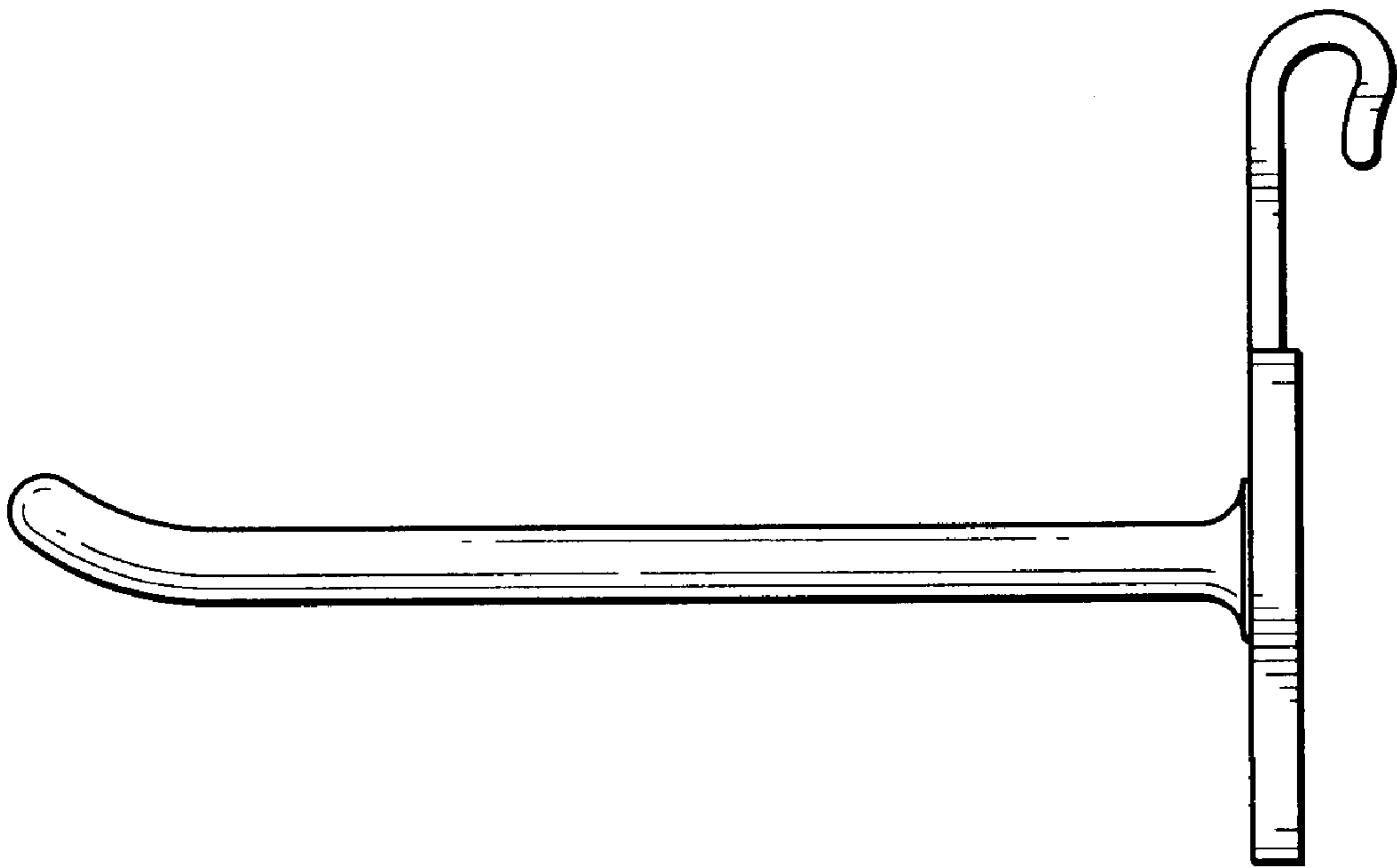


FIG. 3

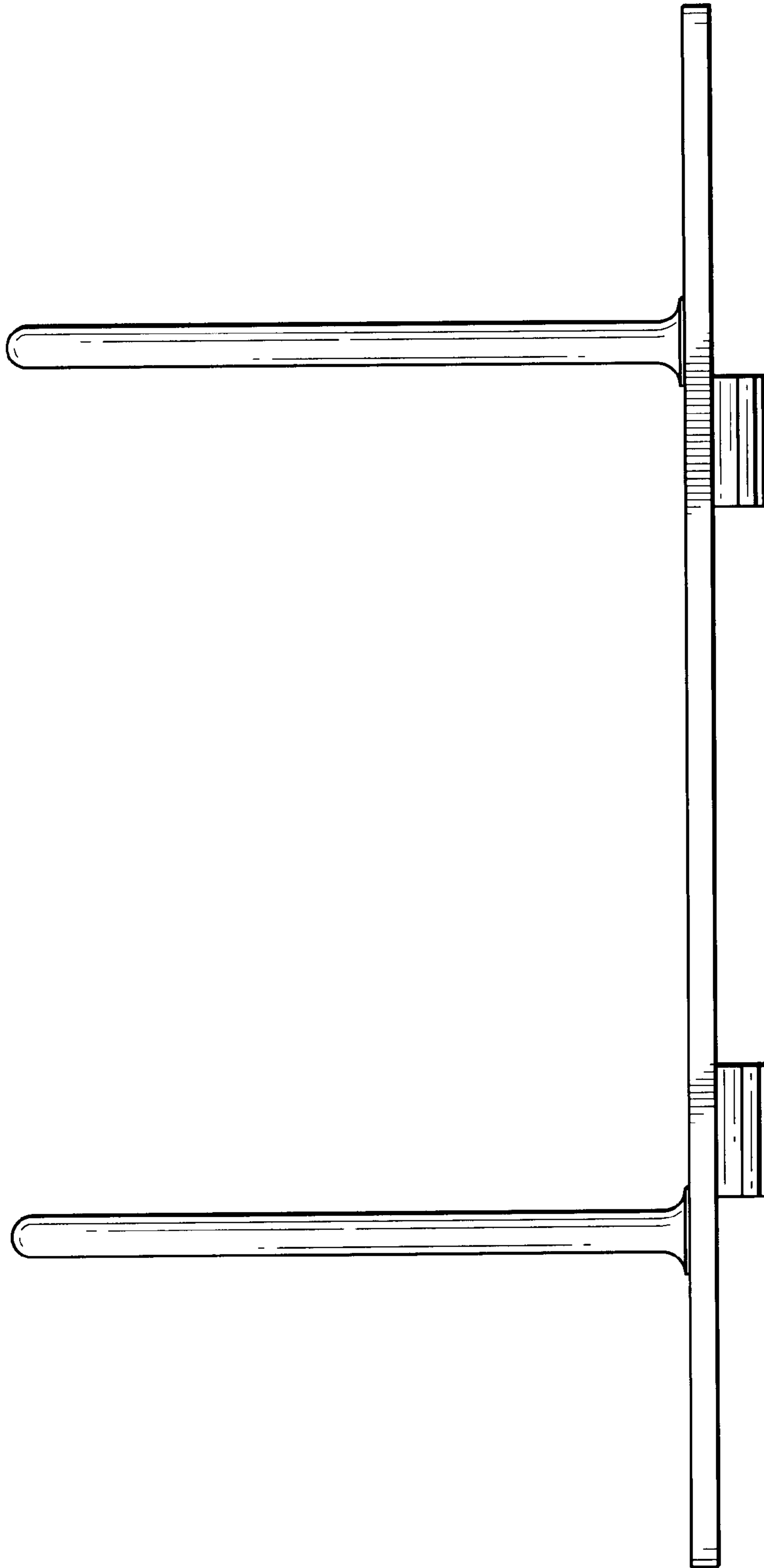


FIG. 4

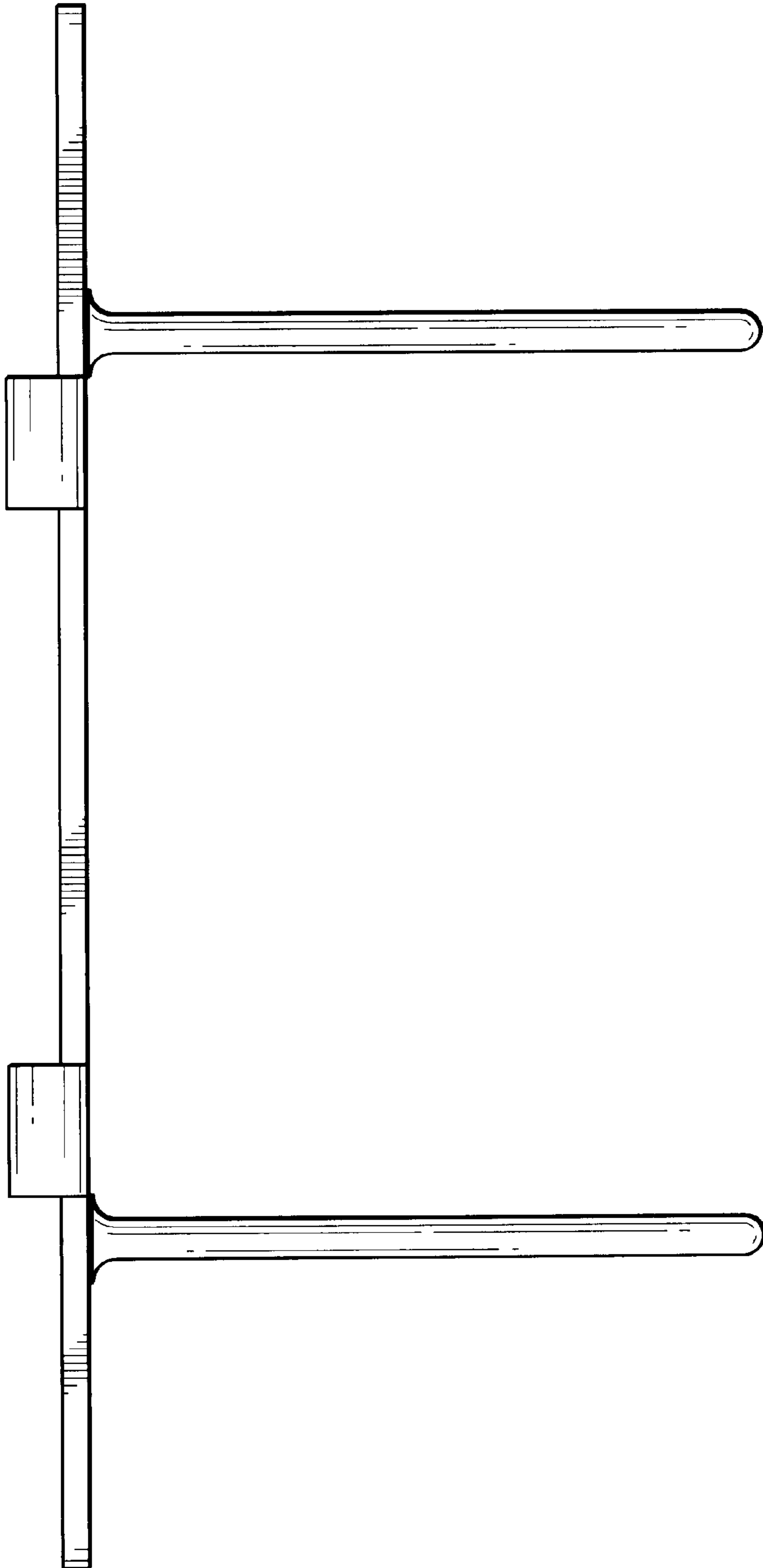


FIG. 5

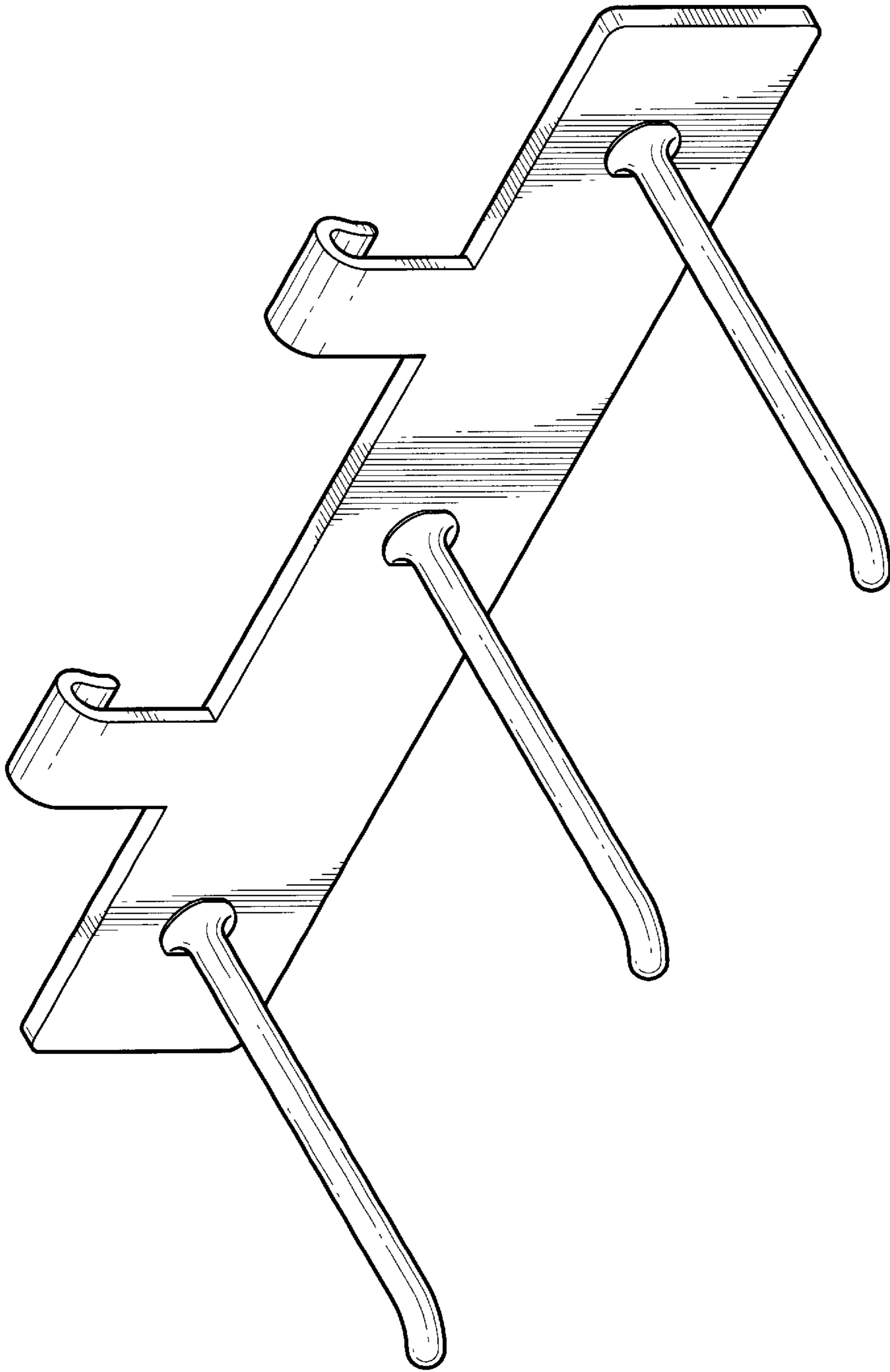


FIG. 6

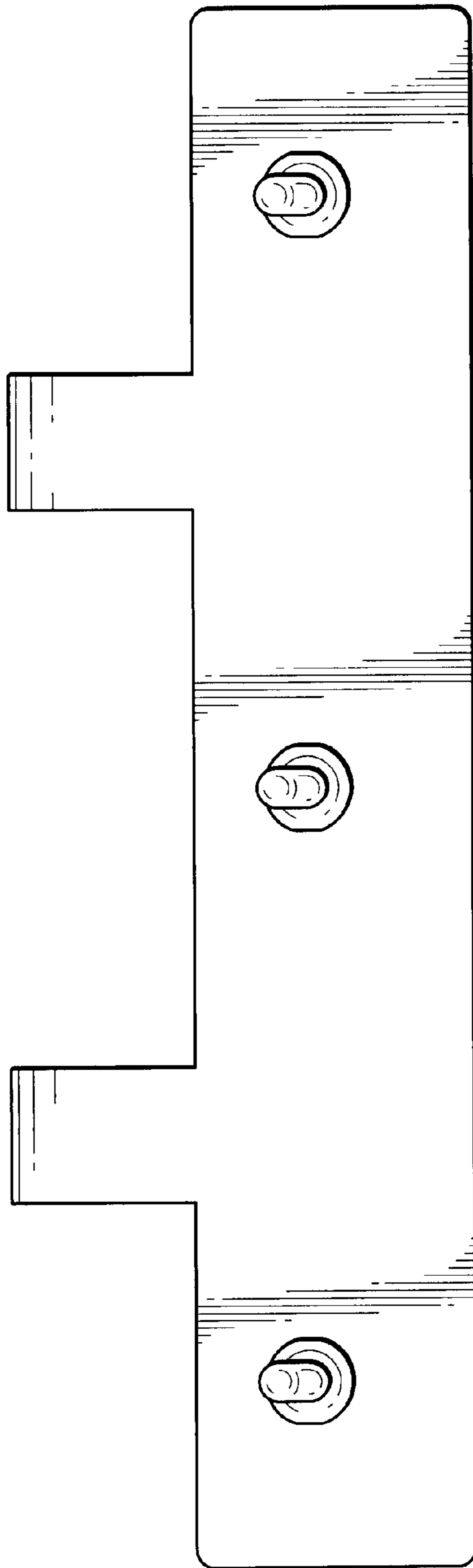


FIG. 7



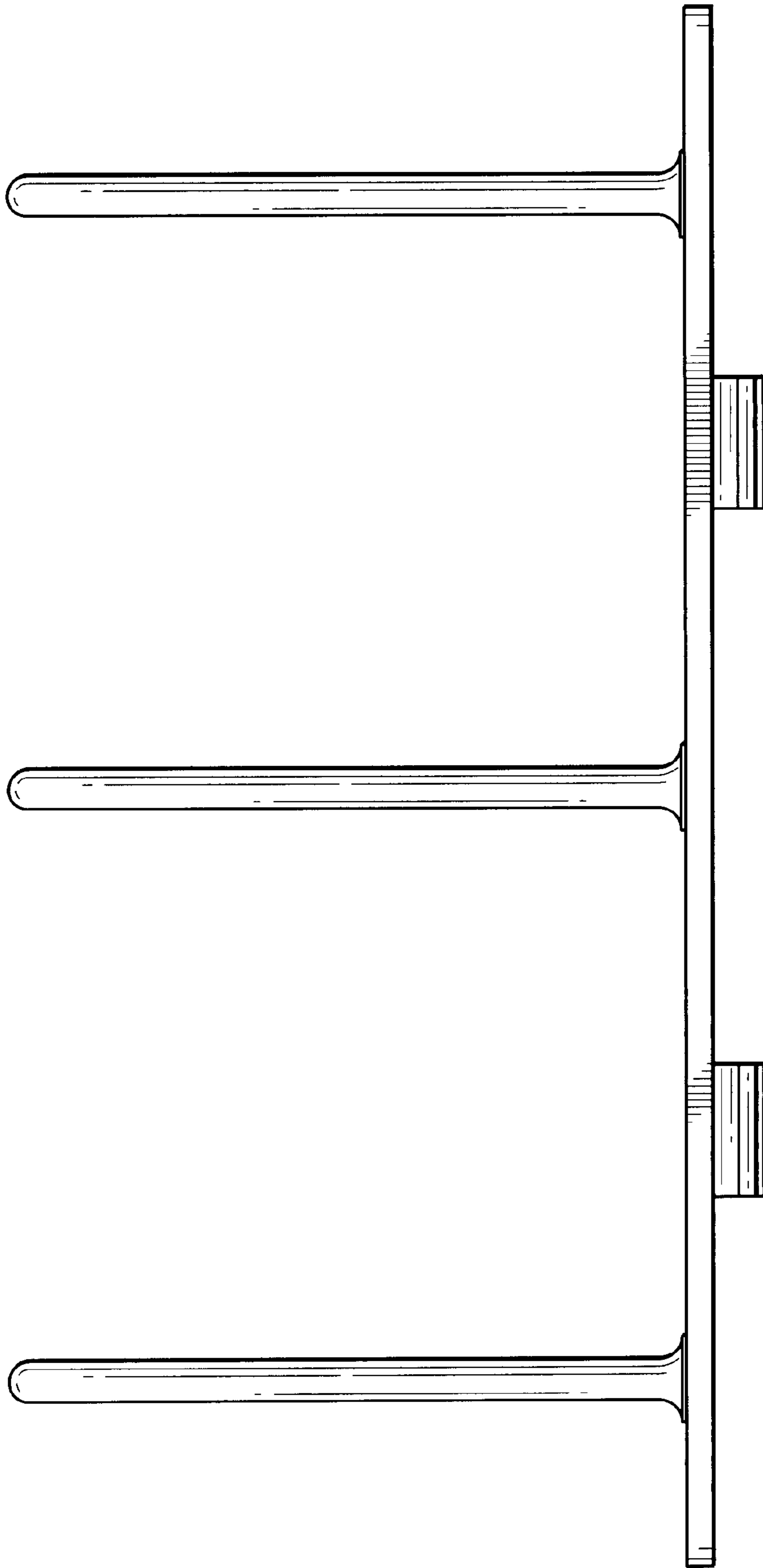


FIG. 8

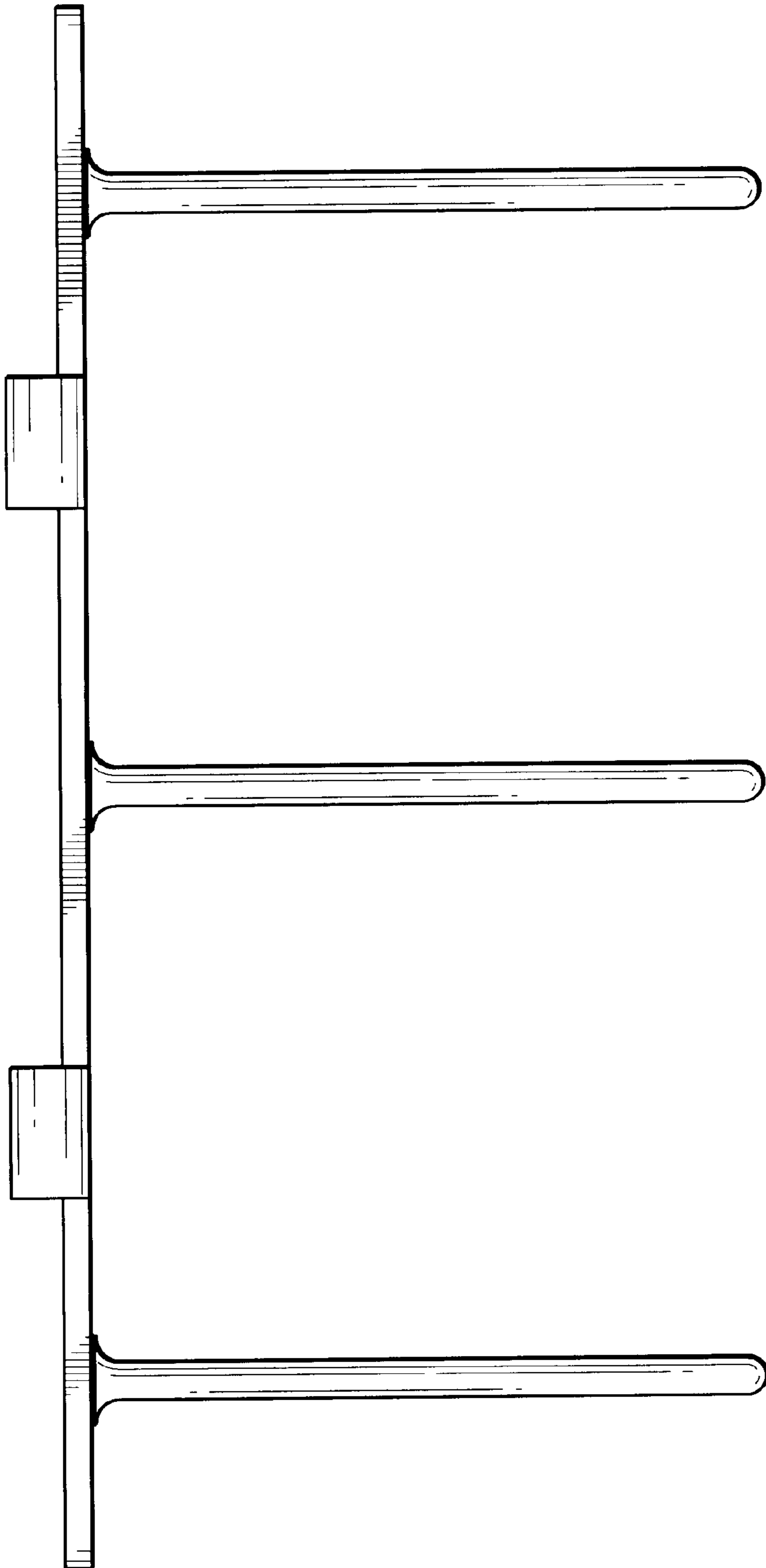


FIG. 9

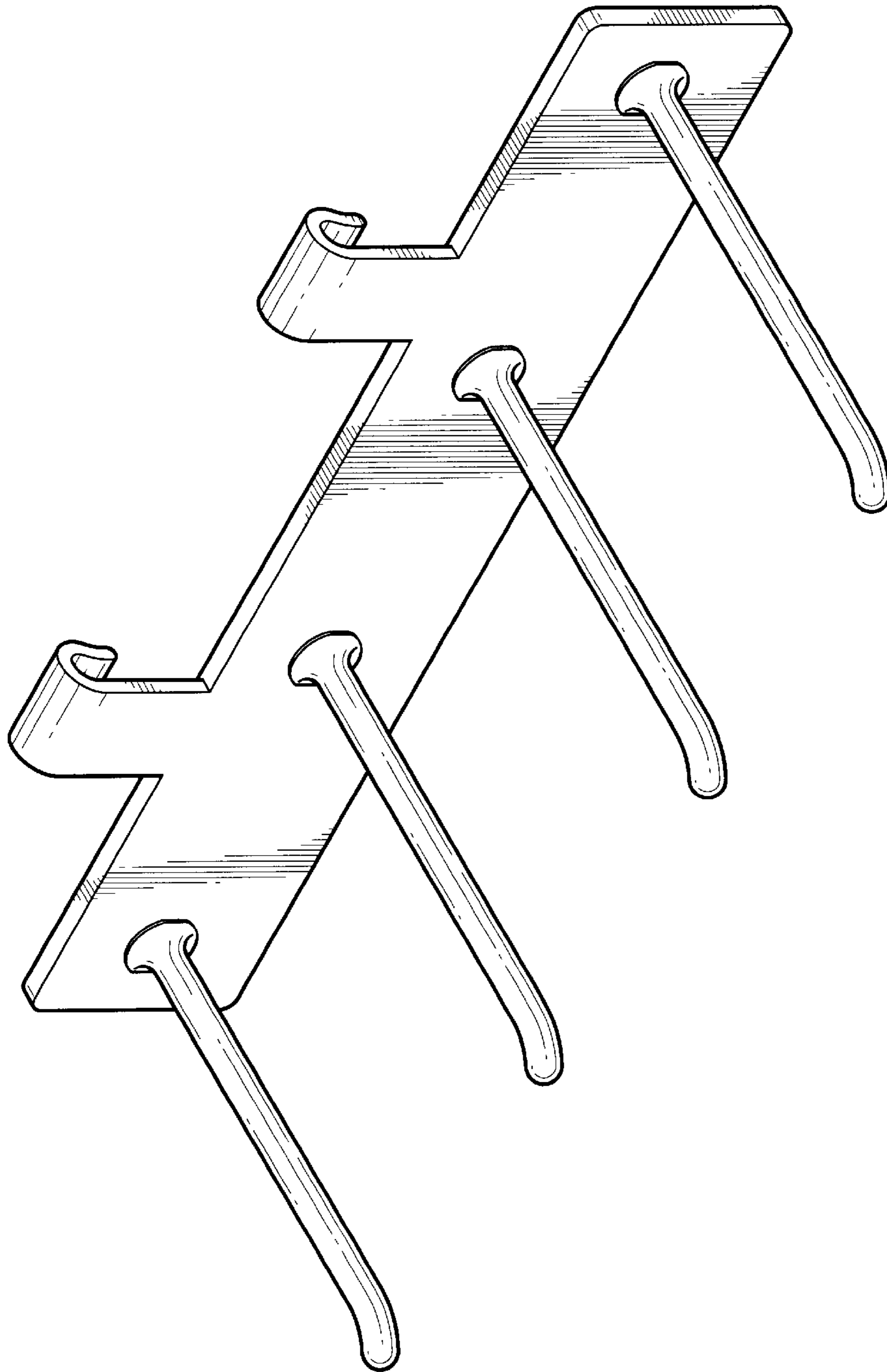


FIG.10

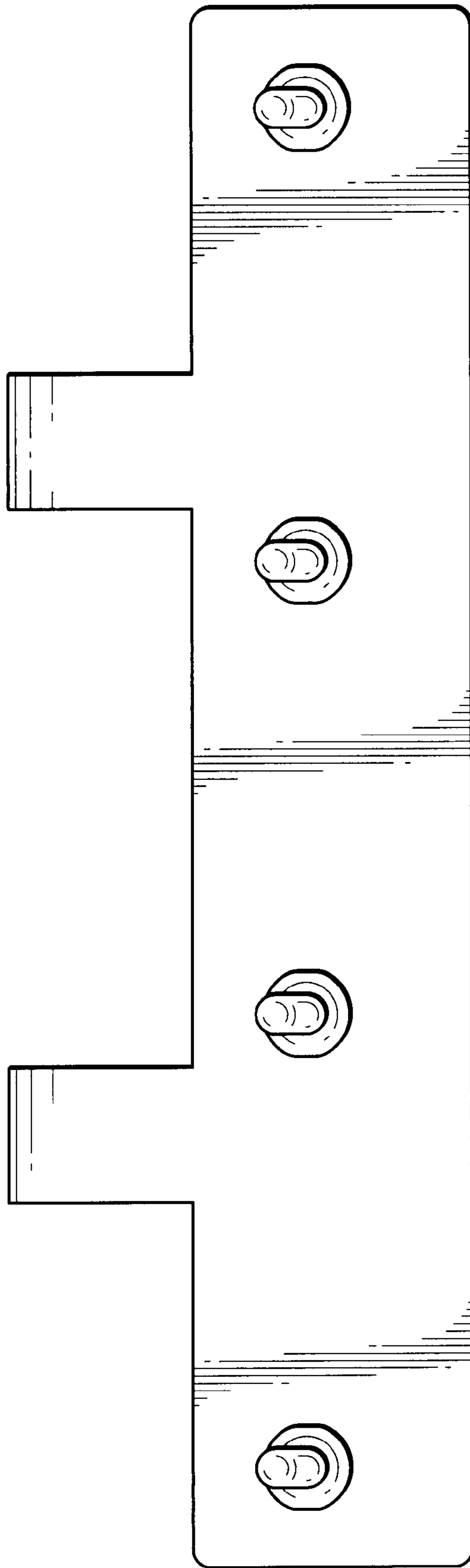


FIG. 11

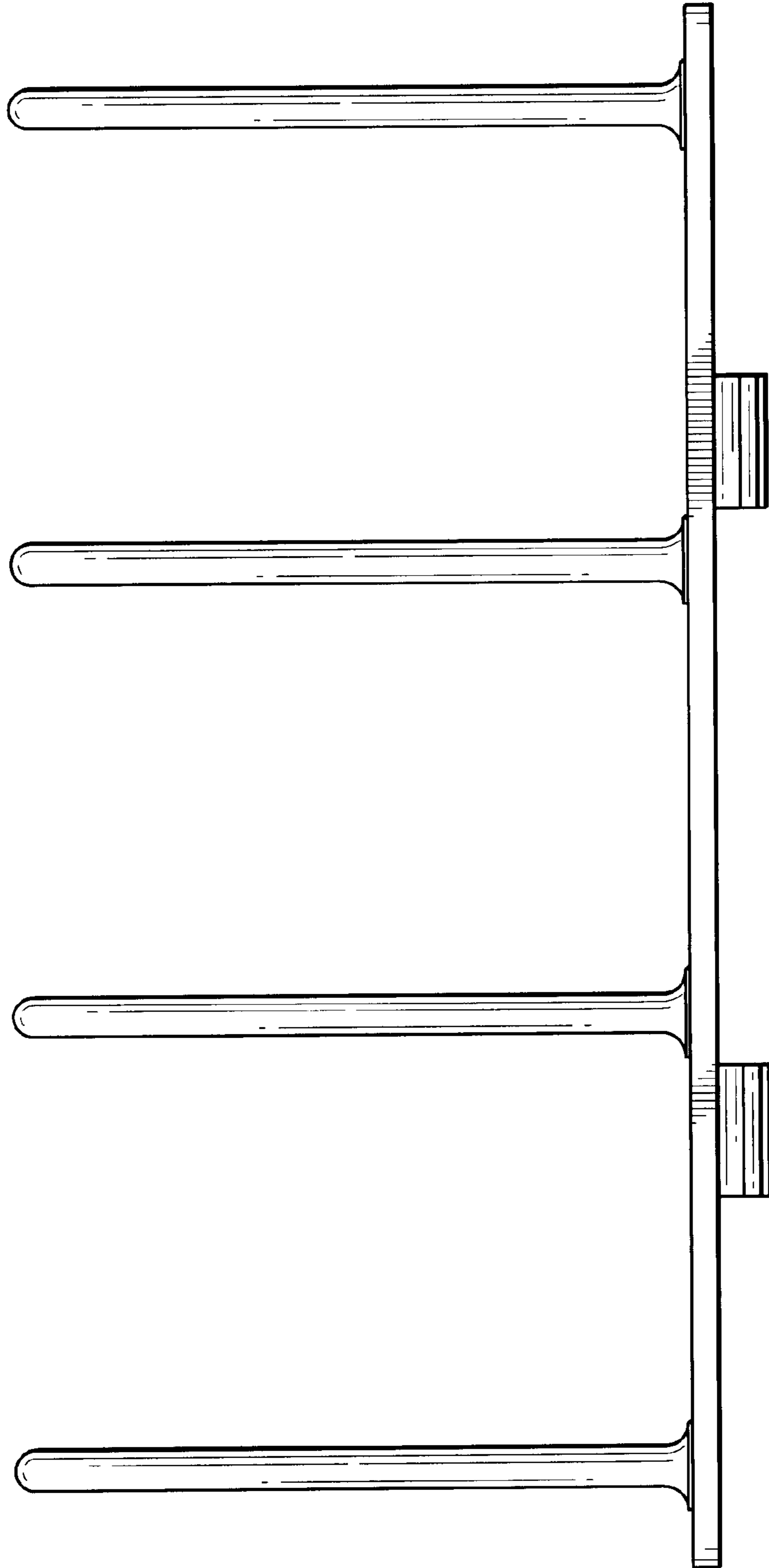


FIG.12

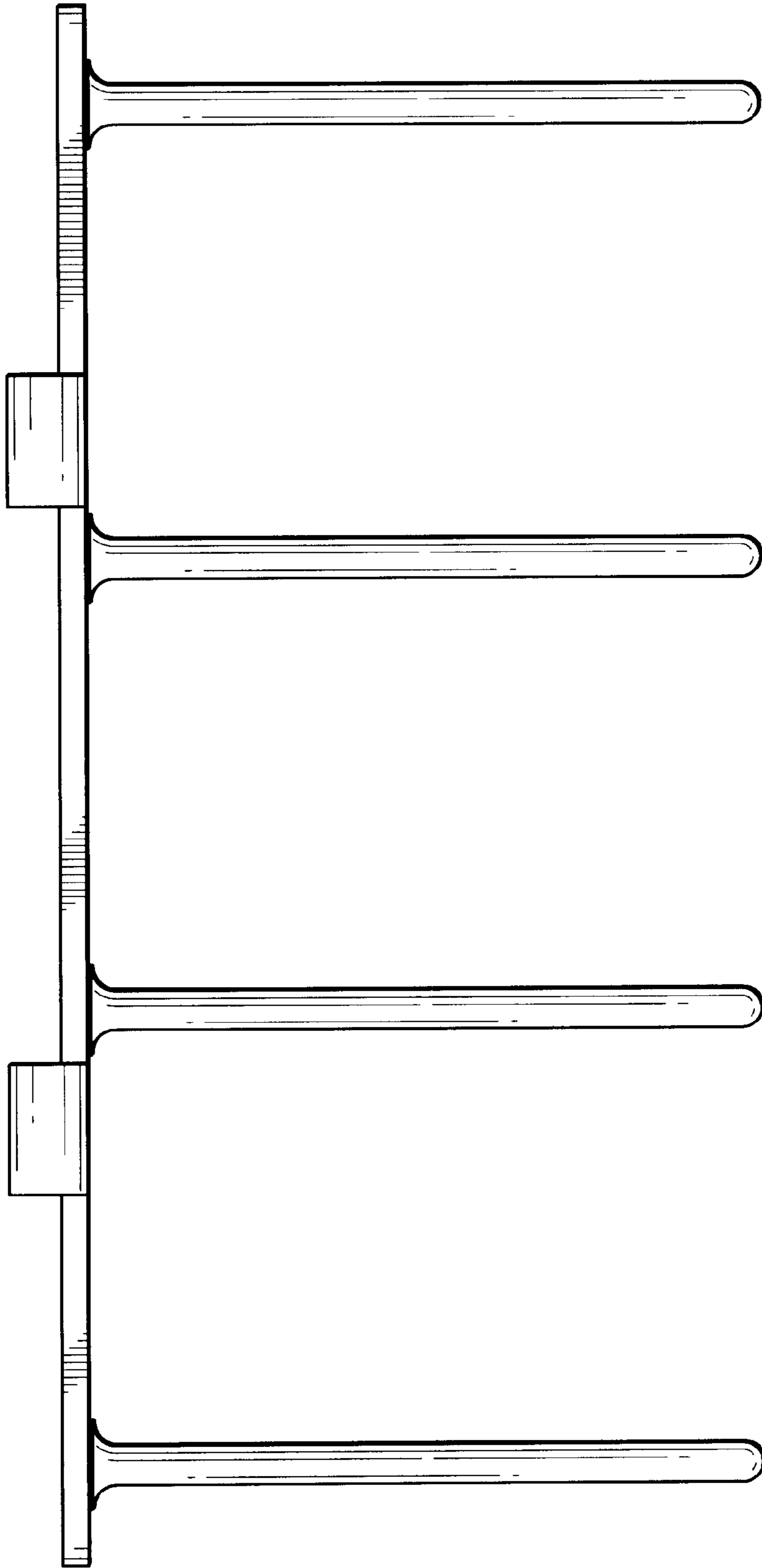


FIG. 13