



US00D485156S

(12) **United States Design Patent**
Moore

(10) **Patent No.:** **US D485,156 S**

(45) **Date of Patent:** **** Jan. 13, 2004**

(54) **ROBE HOOK**

D463,730 S * 10/2002 Snell D8/367

(75) Inventor: **Glenn D. Moore**, Pompton Lakes, NJ
(US)

* cited by examiner

(73) Assignee: **Bath Unlimited, Inc.**, Passaic, NJ (US)

Primary Examiner—Brian N. Vinson

(**) Term: **14 Years**

(74) *Attorney, Agent, or Firm*—Edgar A. Zarins; Lloyd D. Doigan

(21) Appl. No.: **29/160,389**

(57) **CLAIM**

(22) Filed: **May 9, 2002**

The ornamental design for a robe hook, as shown and described.

(51) **LOC (7) Cl.** **08-08**

DESCRIPTION

(52) **U.S. Cl.** **D8/367**

FIG. 1 is a perspective view of a robe hook showing my new design;

(58) **Field of Search** D6/553, 567, 570,
D6/323; D8/372, 367; 211/87.01; 248/301-304

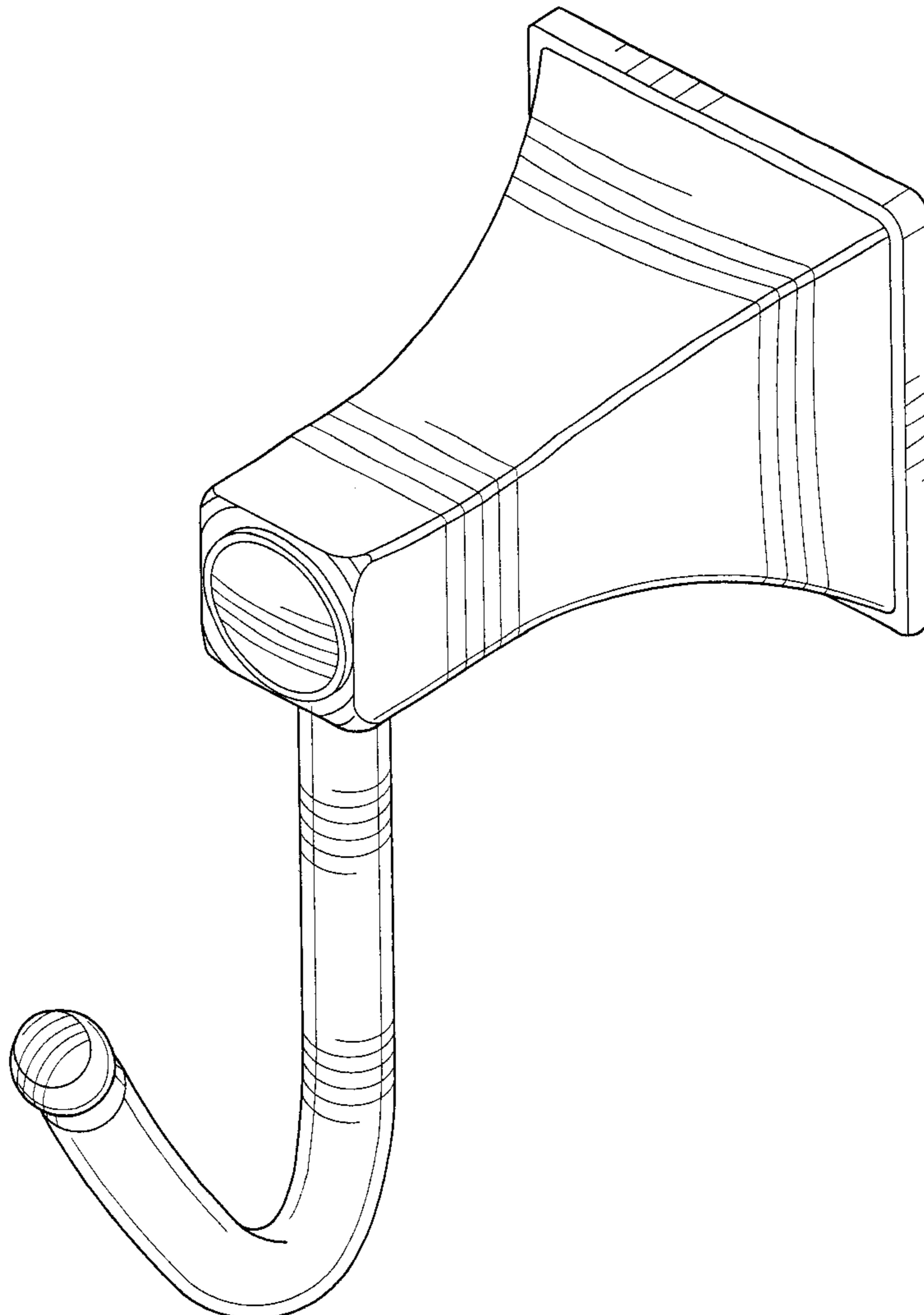
FIG. 2 is a front elevational view thereof;
FIG. 3 is a rear elevational view thereof;
FIG. 4 is a top plan view thereof;
FIG. 5 is a bottom plan view thereof;
FIG. 6 is a right side view thereof; and,
FIG. 7 is a left side view thereof.

(56) **References Cited**

U.S. PATENT DOCUMENTS

- D348,165 S * 6/1994 Walaski D6/566 X
- D455,947 S * 4/2002 Goodman et al. D8/367
- D456,150 S * 4/2002 Moore D8/367 X

1 Claim, 5 Drawing Sheets



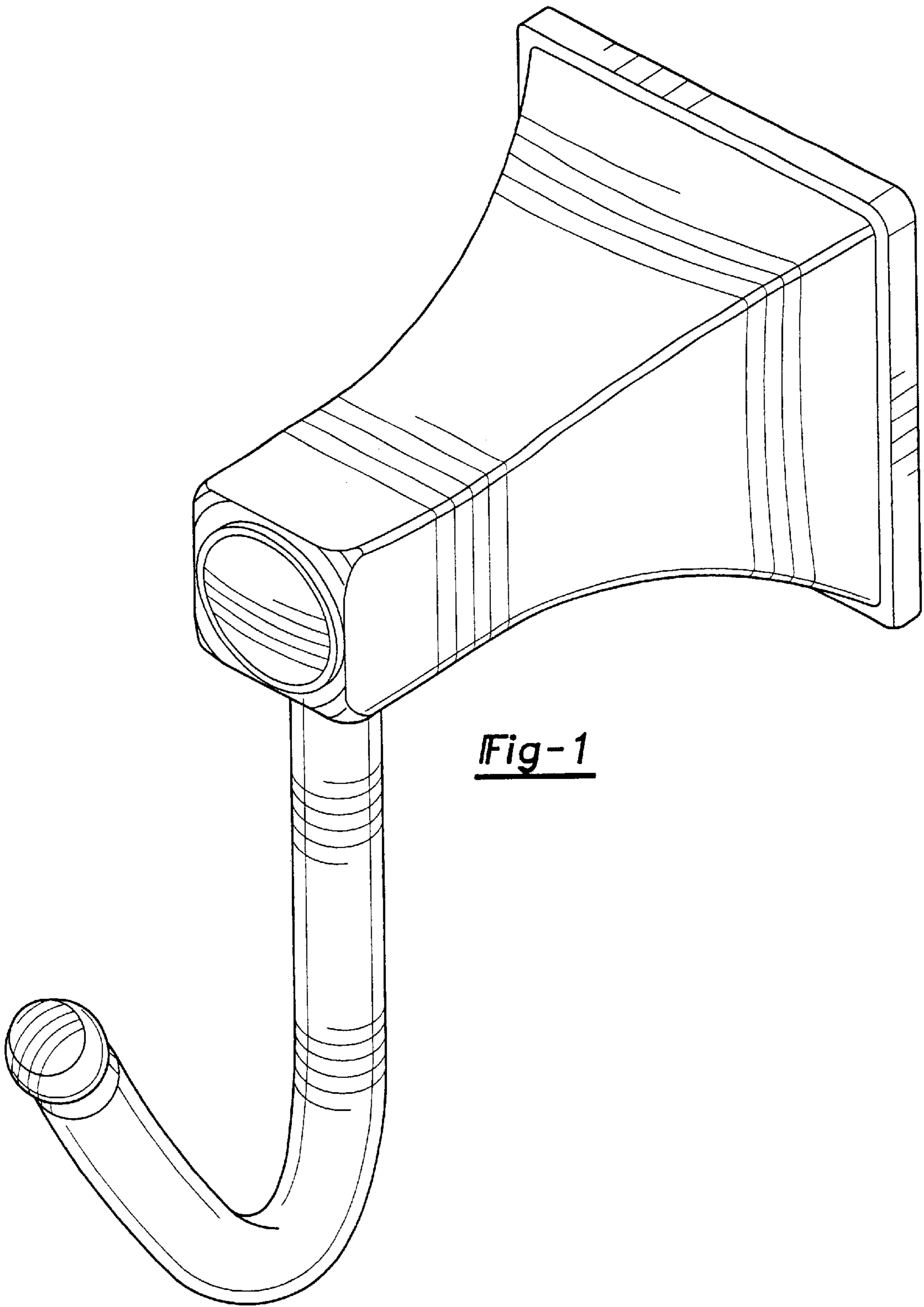


Fig-1

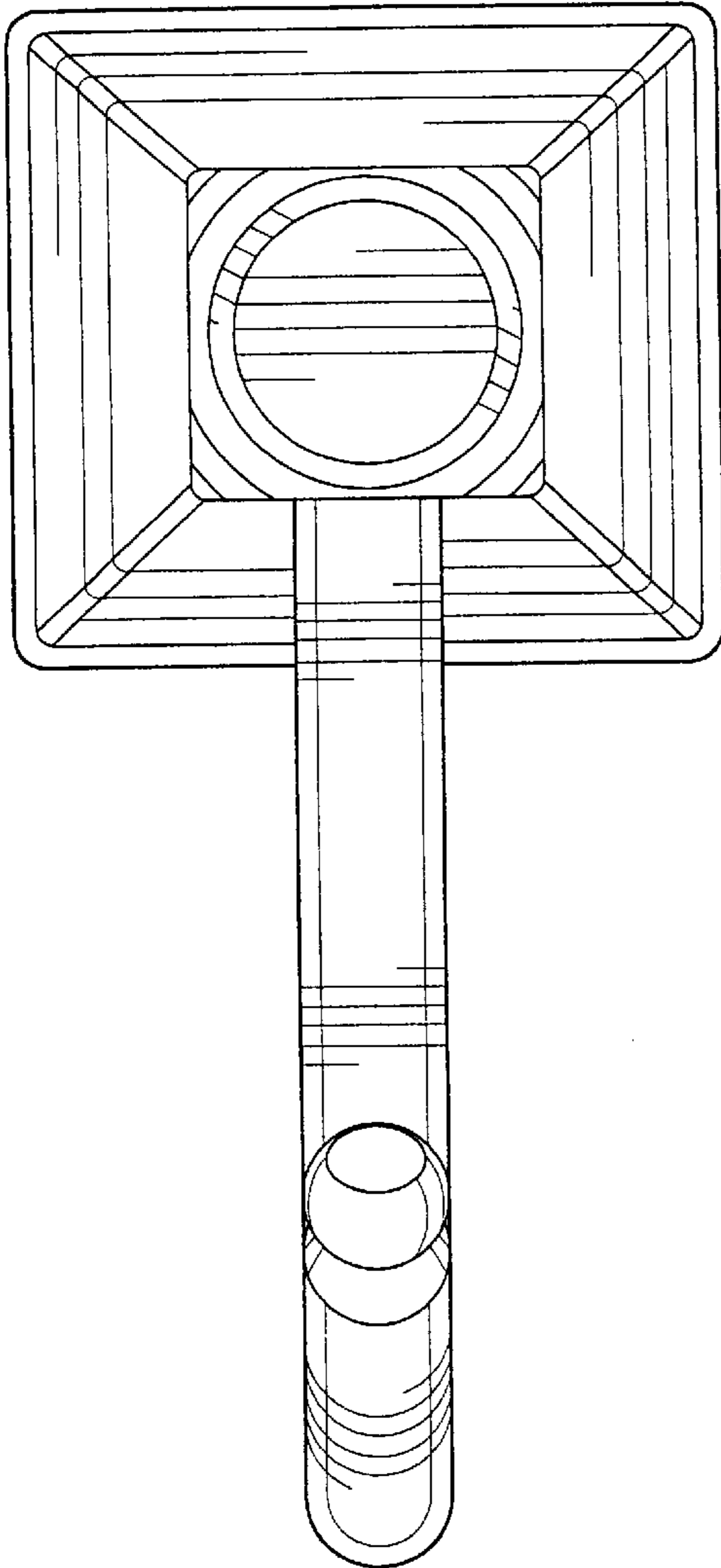


Fig-2

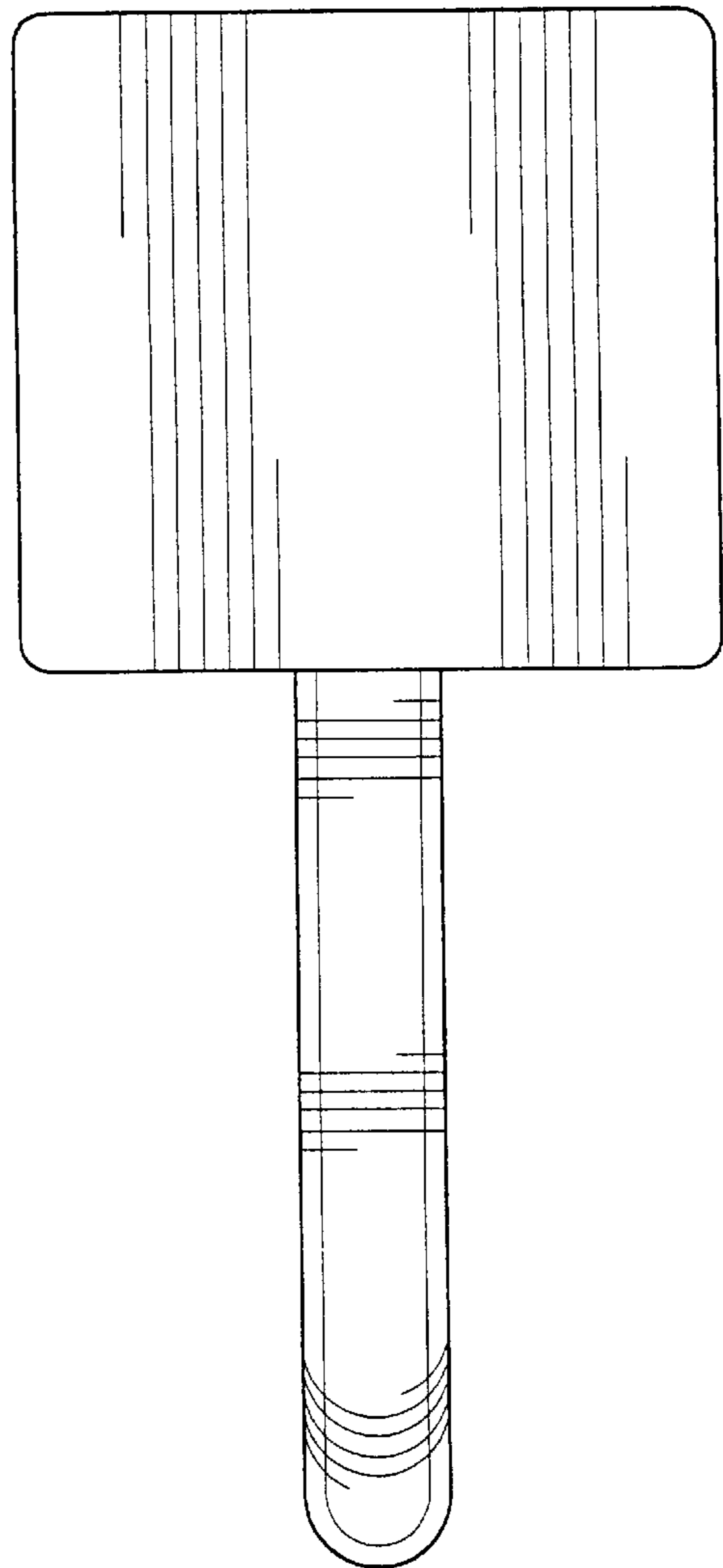


Fig-3

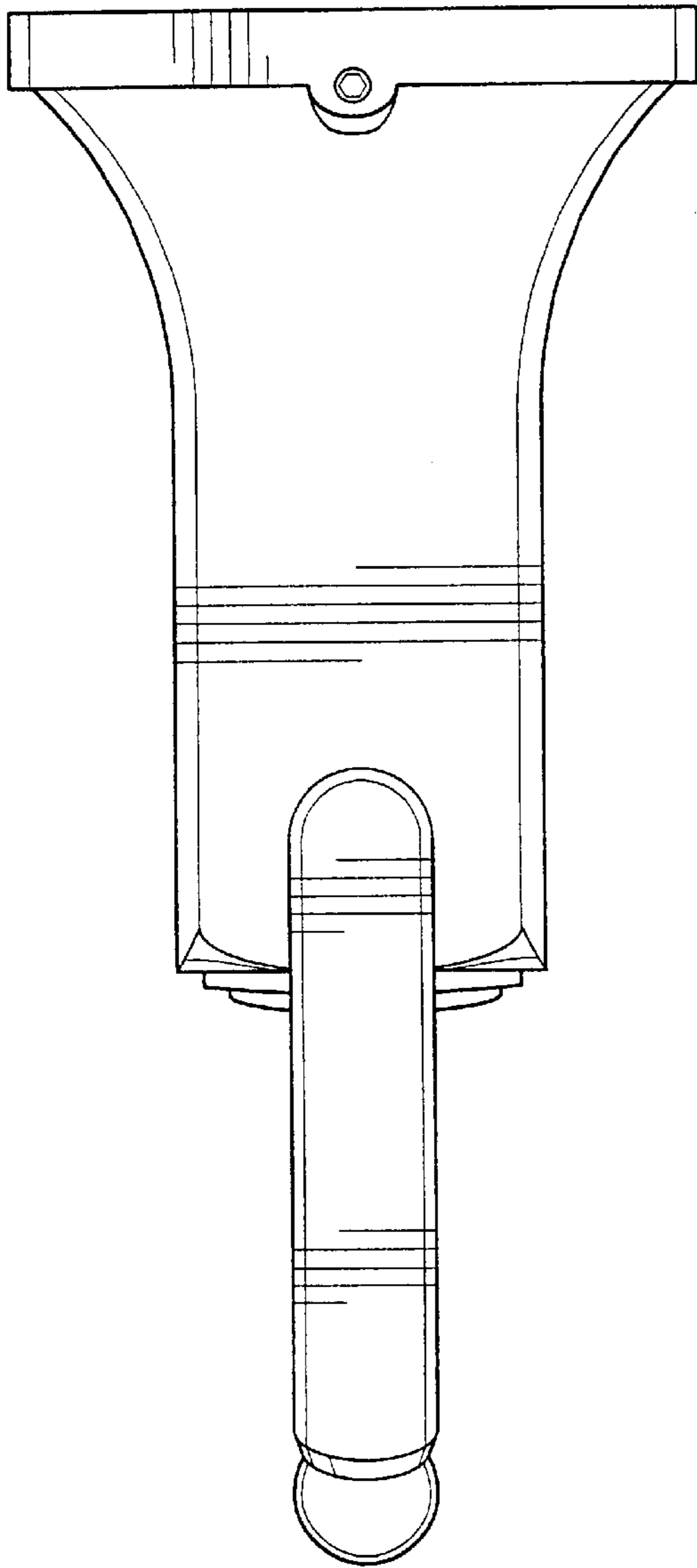


Fig-4

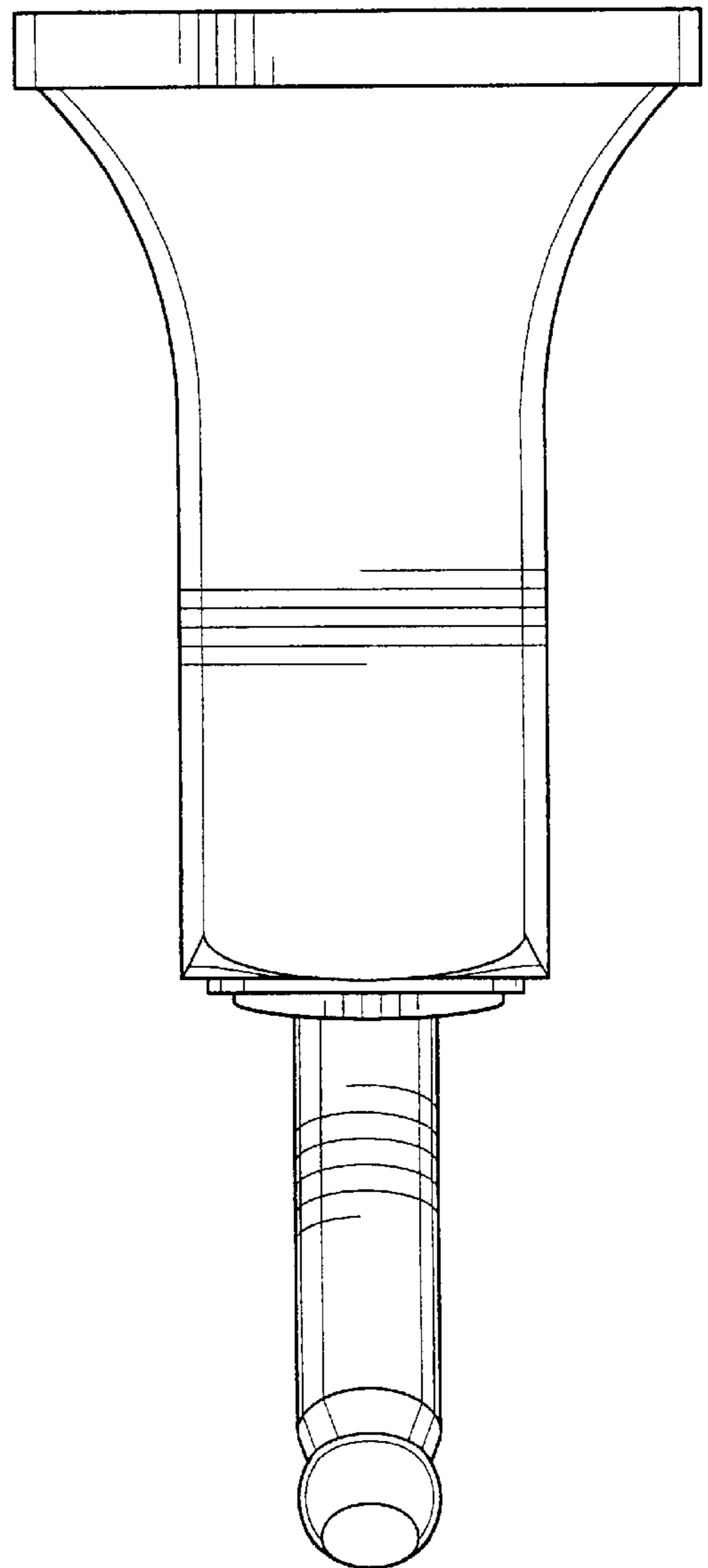


Fig-5

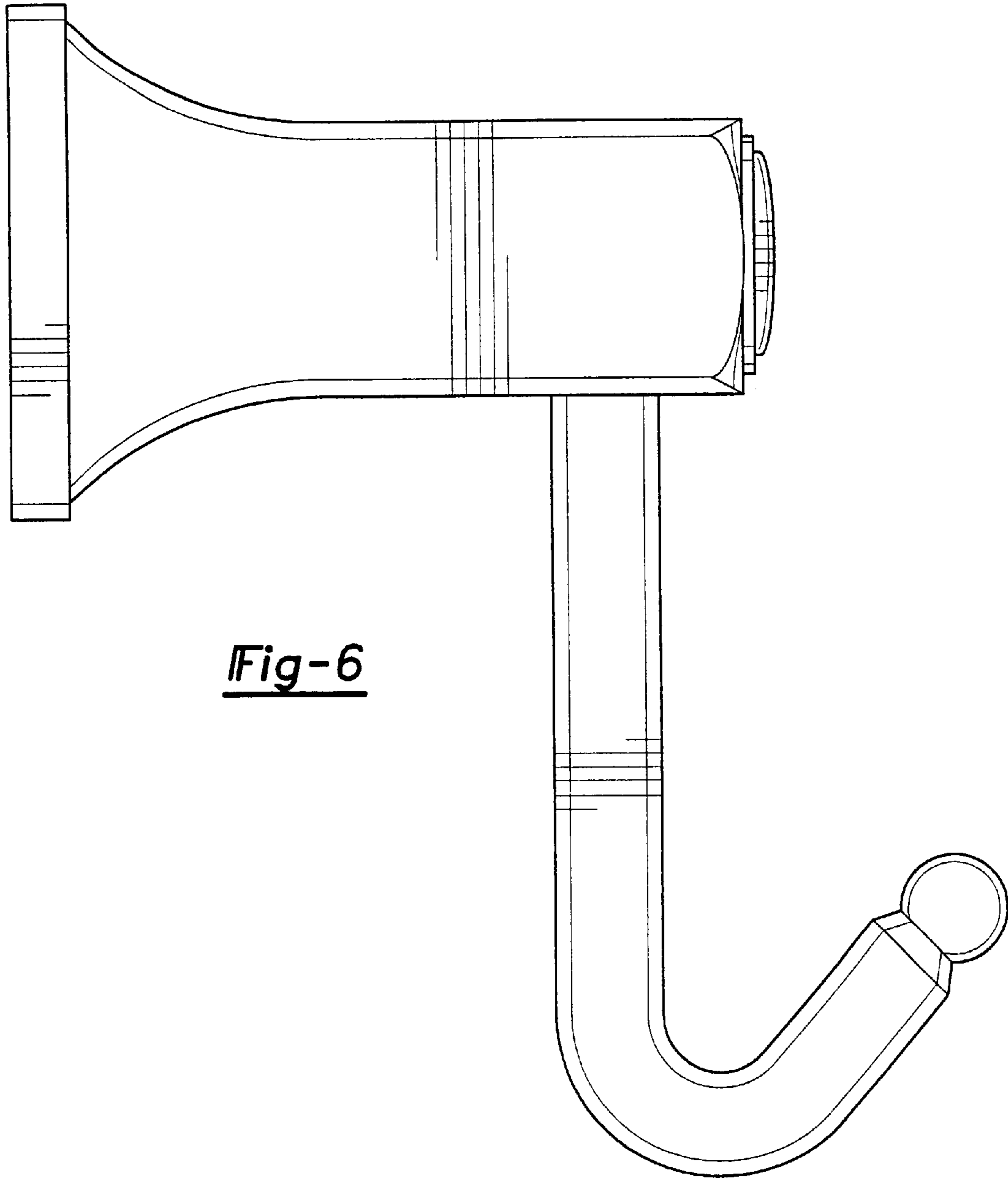


Fig-6

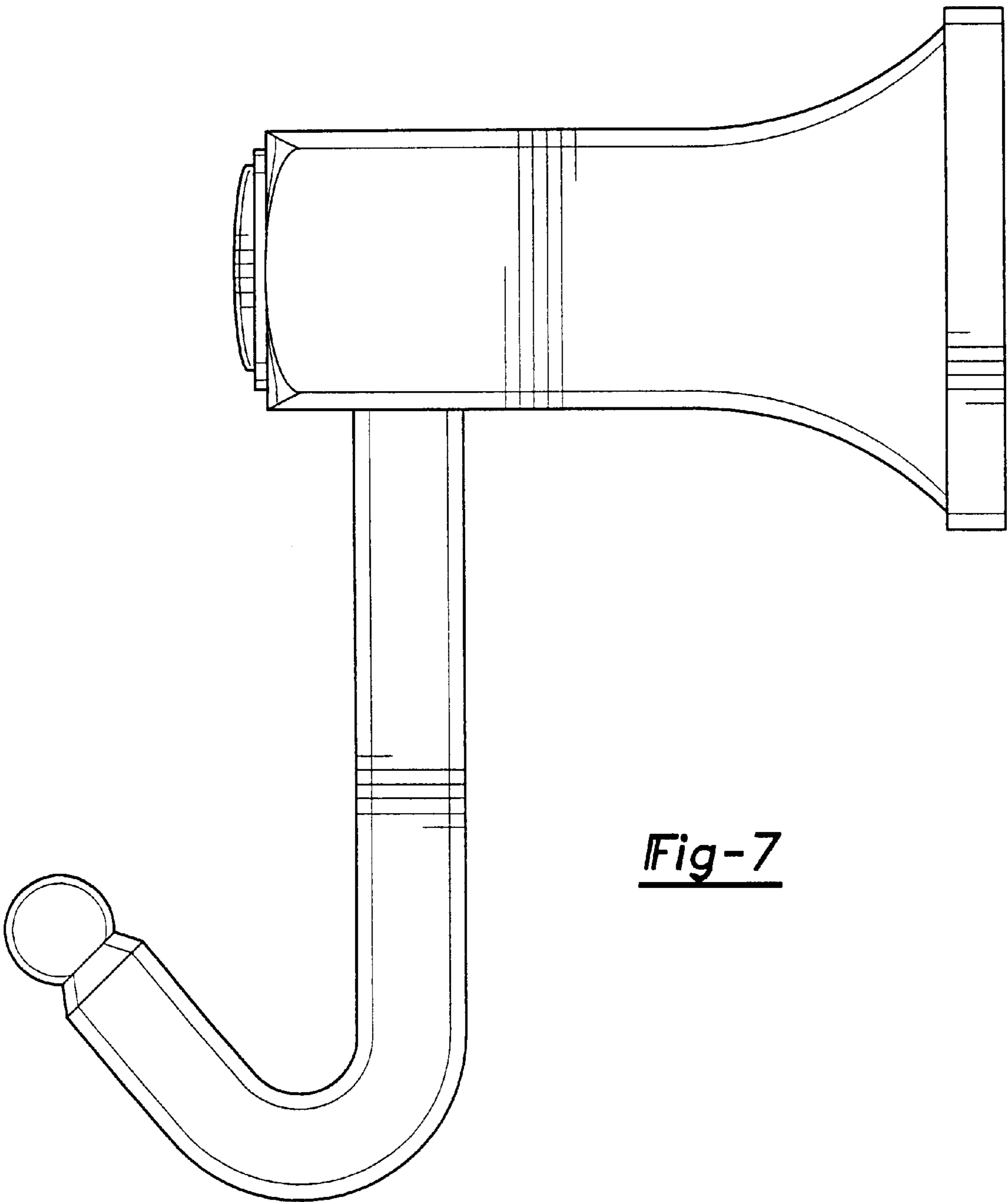


Fig-7