



US00D485153S

(12) **United States Design Patent**  
**Dewald et al.**

(10) **Patent No.:** **US D485,153 S**

(45) **Date of Patent:** **\*\* Jan. 13, 2004**

(54) **PULL**

(75) Inventors: **Kevin Dewald**, Spring Lake, MI (US);  
**Scott A. Thor**, Comstock Park, MI (US)

(73) Assignee: **Belwith International, Ltd.**,  
Grandville, MI (US)

(\*\*) Term: **14 Years**

(21) Appl. No.: **29/153,745**

(22) Filed: **Jan. 10, 2002**

(51) **LOC (7) Cl.** ..... **08-06**

(52) **U.S. Cl.** ..... **D8/307**

(58) **Field of Search** ..... D8/300-302, 305,  
D8/307, 310, 315-320, 306; D23/250-254;  
16/110.1, 414-417, 419, 420, 441, 443,  
444-446; 292/347

(56) **References Cited**

**U.S. PATENT DOCUMENTS**

D21,198 S	*	12/1891	Hess et al.	.....	D8/310
D227,737 S	*	7/1973	Chasen	.....	D8/307
D361,493 S	*	8/1995	Chieda	.....	D8/310
D372,414 S	*	8/1996	De'Armond	.....	D8/317
D372,657 S	*	8/1996	De'Armond	.....	D8/307
D442,055 S	*	5/2001	Dewald et al.	.....	D8/310

**OTHER PUBLICATIONS**

H. Pfanstiel Hardware Co., Inc. Catalog 1968-9 edition; p. 60; pull #3008.\*

J. C. DeJong & Co., Inc. Catalog 704; p. A-9; pull #920/250.\*

Jaybee/Ajax Catalog 1987; p. 6; pull 530-3 inch center drawer pull.\*

\* cited by examiner

*Primary Examiner*—B. J. Bullock

(74) *Attorney, Agent, or Firm*—Rader, Fishman & Grauer PLLC

(57) **CLAIM**

We claim, the ornamental design for a pull, as shown and described.

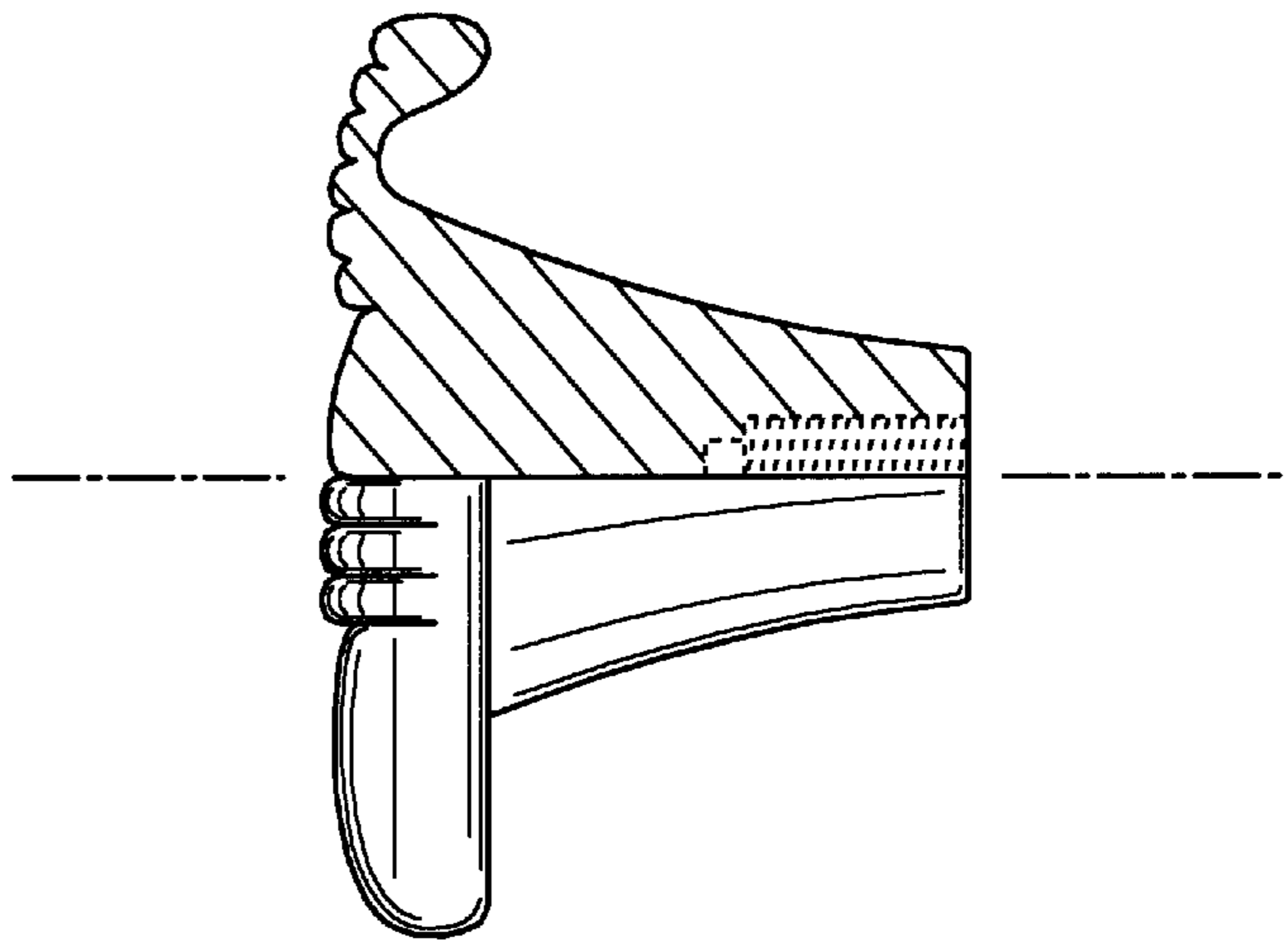
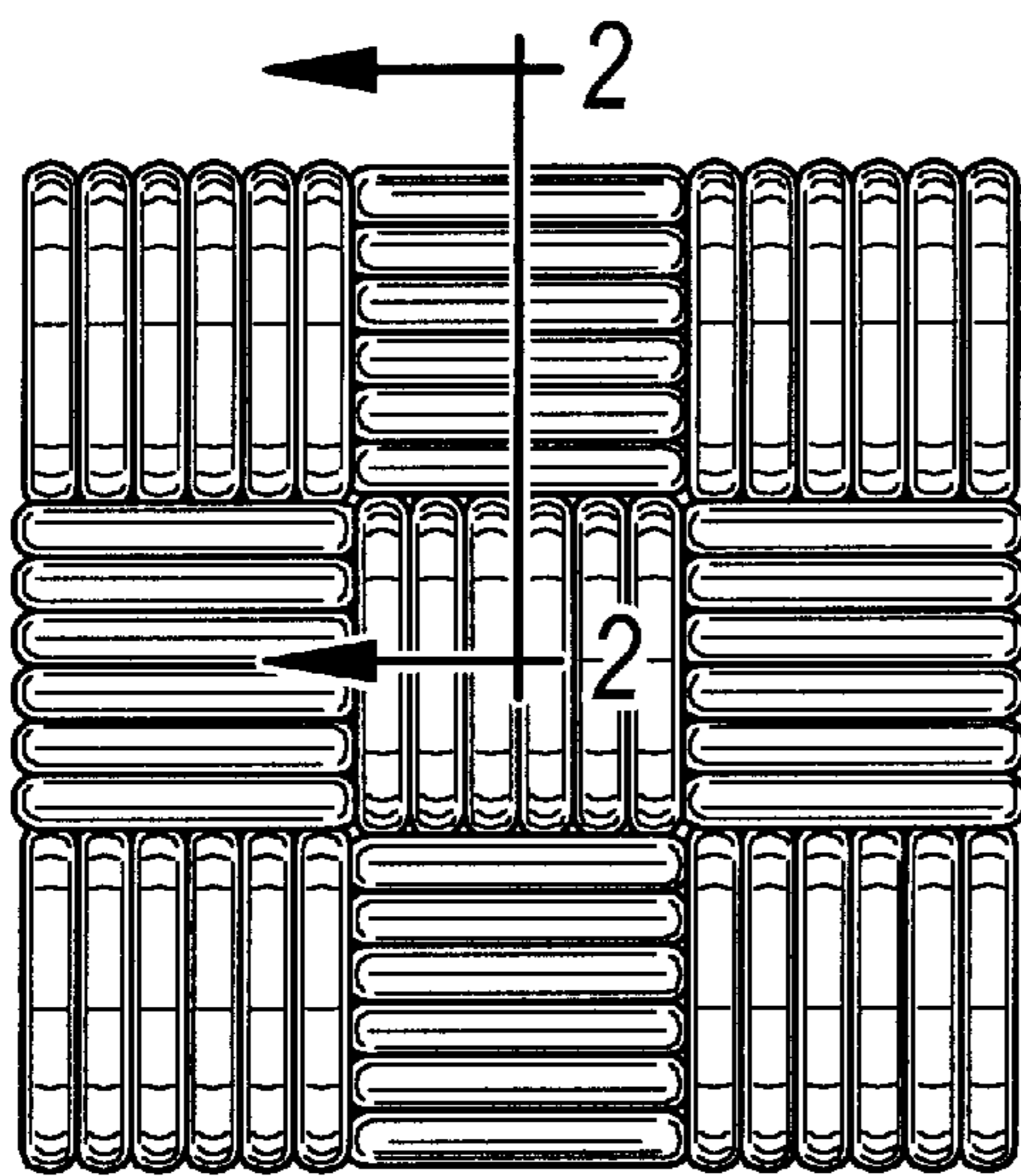
**DESCRIPTION**

FIG. 1 is a front elevational view of the pull of the present invention; and,

FIG. 2 is a right side elevational view shown in partial cross-section, wherein the cross-section is taken substantially along lines 2-2 of FIG. 1.

The threaded opening portion of the stem is shown in phantom for illustrative purposes only and forms no part of the claimed design.

**1 Claim, 1 Drawing Sheet**



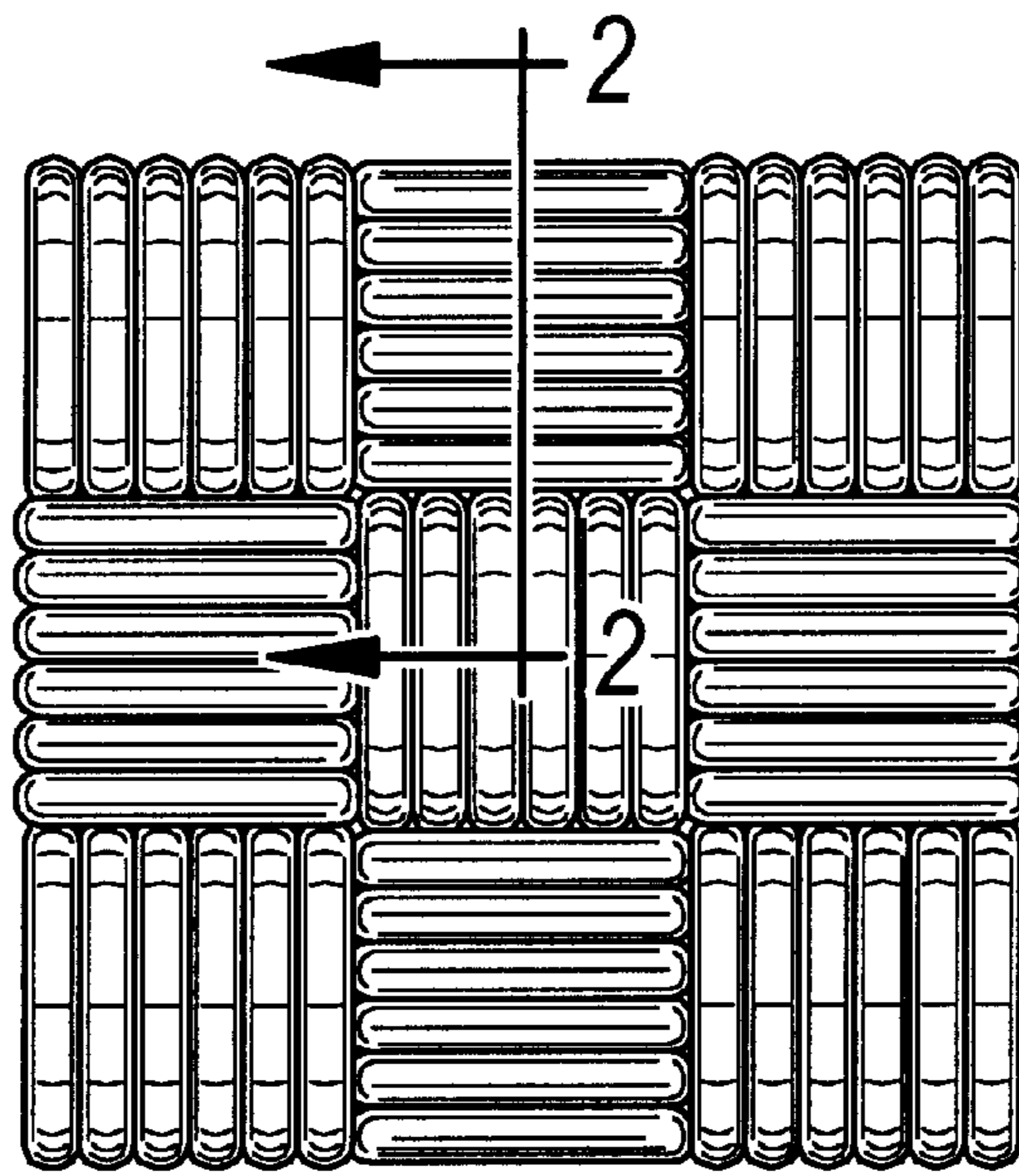


FIG. 1

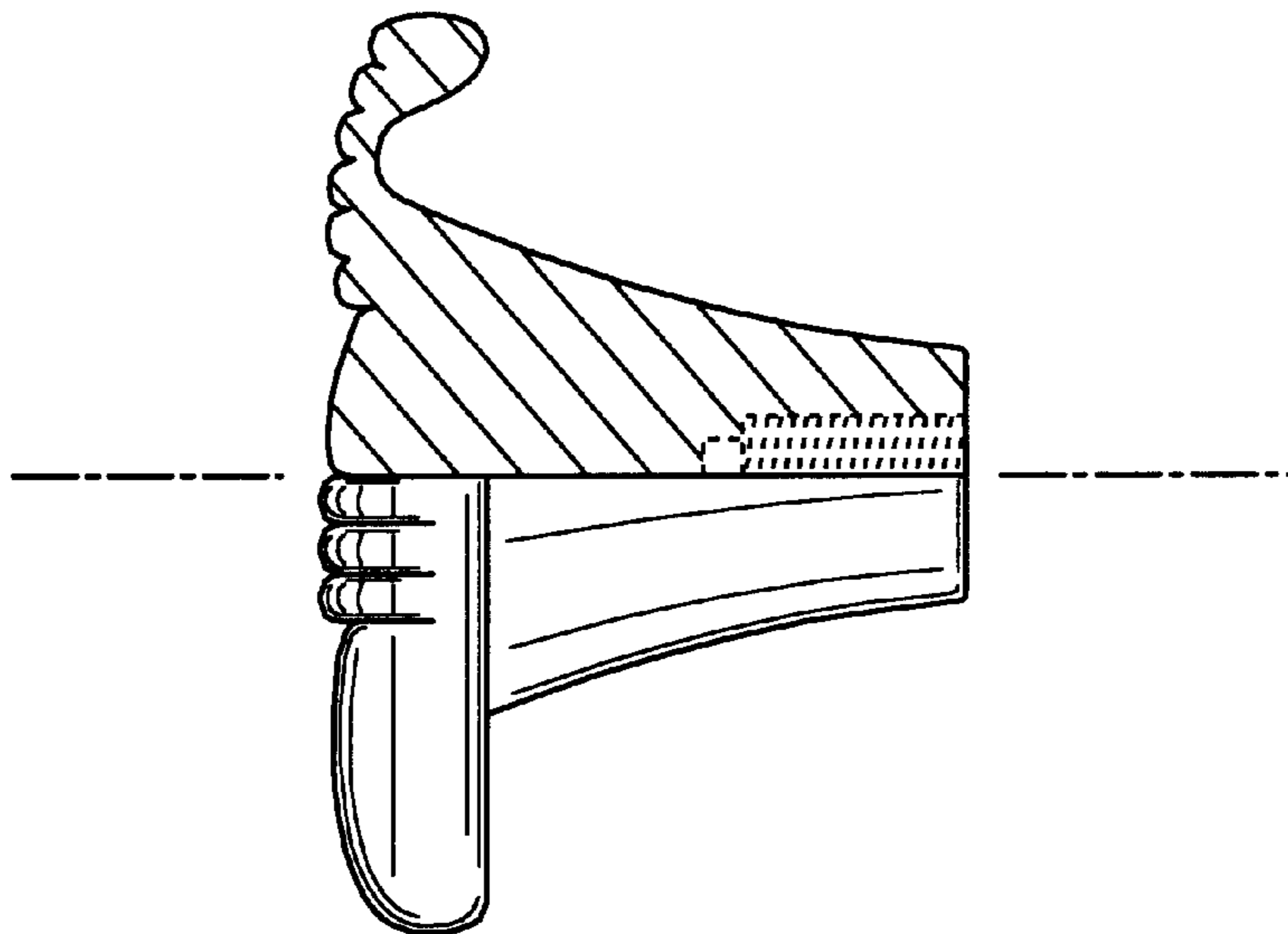


FIG. 2