



US00D485150S

(12) **United States Design Patent**
Loparo

(10) **Patent No.:** **US D485,150 S**

(45) **Date of Patent:** **** Jan. 13, 2004**

(54) **TUBING CUTTER HANDLE**

(75) **Inventor:** **Thomas A. Loparo**, Sheffield Lake, OH (US)

(73) **Assignee:** **Emerson Electric Co.**, St. Louis, MO (US)

(**) **Term:** **14 Years**

(21) **Appl. No.:** **29/170,362**

(22) **Filed:** **Nov. 5, 2002**

(51) **LOC (7) Cl.** **08-03**

(52) **U.S. Cl.** **D8/107; D8/60; D8/312**

(58) **Field of Search** D8/60, 300, 307, D8/312, 107, 310, 311, 338; 30/101, 102, 92-96; 16/417, 441, 426, 110.1, DIG. 12, DIG. 40

(56) **References Cited**

U.S. PATENT DOCUMENTS

1,727,406 A	9/1929	Nelson	
1,758,521 A	5/1930	Kerrigan	
2,283,572 A	5/1942	Petersen	
3,118,227 A	1/1964	Samuels et al.	
D209,144 S	* 11/1967	Hampel et al. D8/311
3,403,442 A	* 10/1968	Reese et al. 30/164.95
D223,798 S	* 6/1972	Jensen et al. D8/312

3,932,937 A	1/1976	Bastiansen	
D338,517 S	* 8/1993	Formgren D23/250
5,345,682 A	9/1994	Dubinsky et al.	
D367,213 S	* 2/1996	Azkona D8/60
D431,765 S	* 10/2000	Huang D8/60
6,393,700 B1	5/2002	Babb	
2002/0059695 A1	* 5/2002	Yang 16/441

* cited by examiner

Primary Examiner—Clare E. Heflin

(74) *Attorney, Agent, or Firm*—Fay, Sharpe, Fagan, Minnich & McKee

(57) **CLAIM**

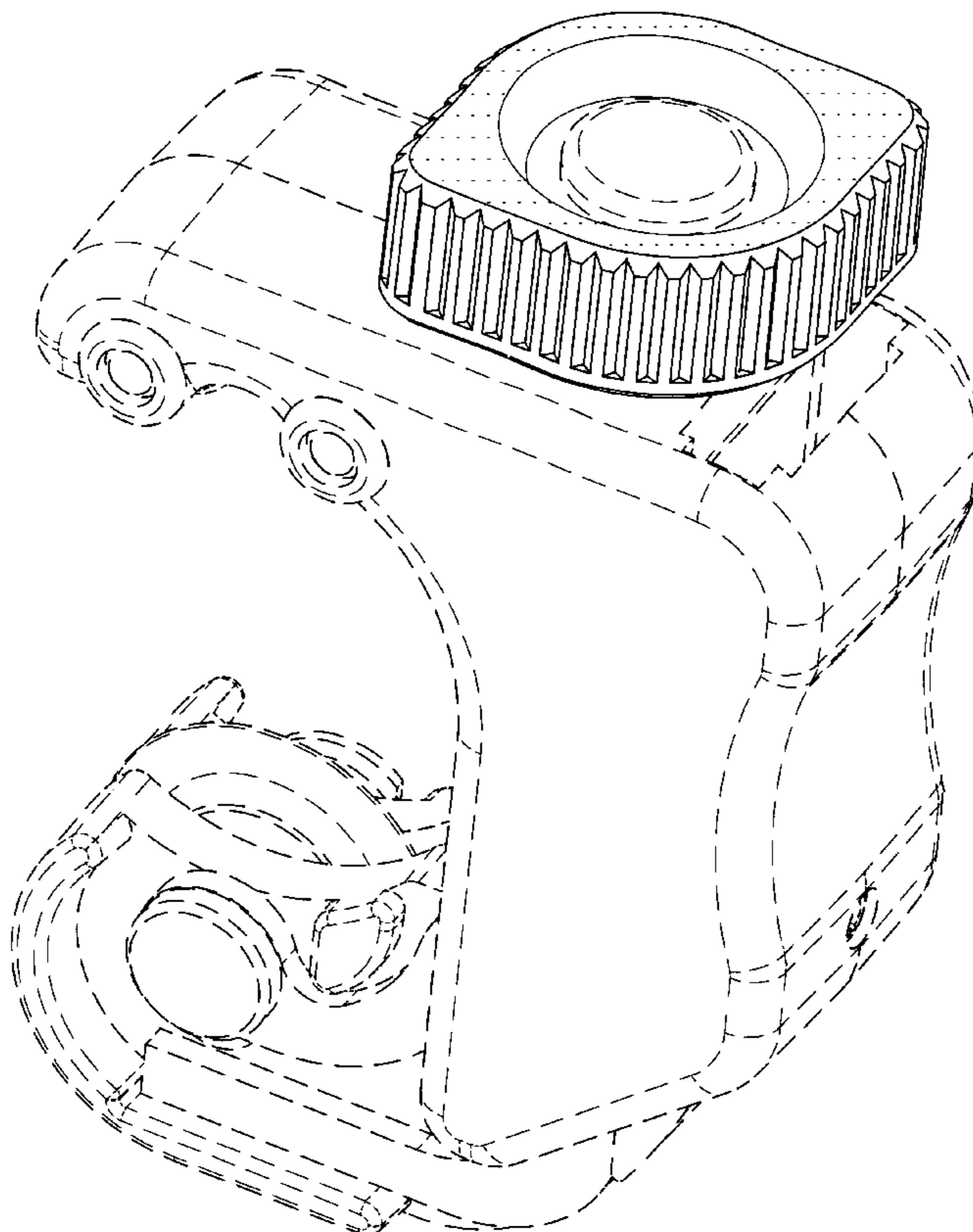
The ornamental design for a tubing cutter handle, as shown and described.

DESCRIPTION

FIG. 1 is a perspective view of a tubing cutter handle showing my new design; FIG. 2 is a top view thereof; FIG. 3 is a bottom view thereof; FIG. 4 is a side elevation view thereof, the opposite side being identical; and, FIG. 5 is an end elevation view thereof, the opposite end being identical.

The broken lines shown on the drawings are for illustrative purposes only and form no part of the claimed design.

1 Claim, 1 Drawing Sheet



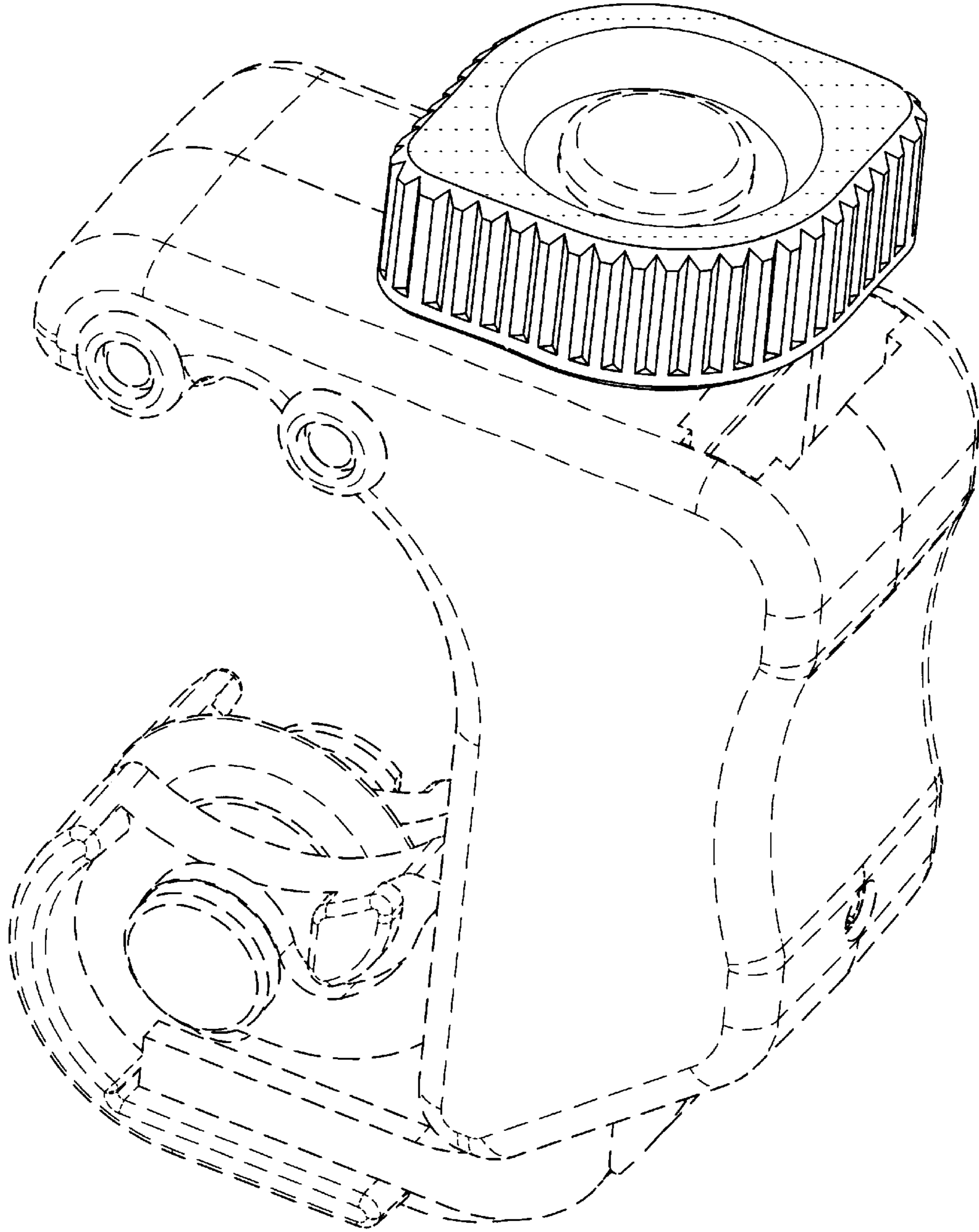


FIG. 1

UNITED STATES PATENT AND TRADEMARK OFFICE
CERTIFICATE OF CORRECTION

PATENT NO. : Des. 485,150 S
DATED : January 13, 2004
INVENTOR(S) : Thomas A. Loparo

Page 1 of 2

It is certified that error appears in the above-identified patent and that said Letters Patent is hereby corrected as shown below:

Drawings,
Please add figures 2-5.

Signed and Sealed this

Seventeenth Day of August, 2004

A handwritten signature in black ink that reads "Jon W. Dudas". The signature is written in a cursive style with a large, stylized initial "J".

JON W. DUDAS
Acting Director of the United States Patent and Trademark Office

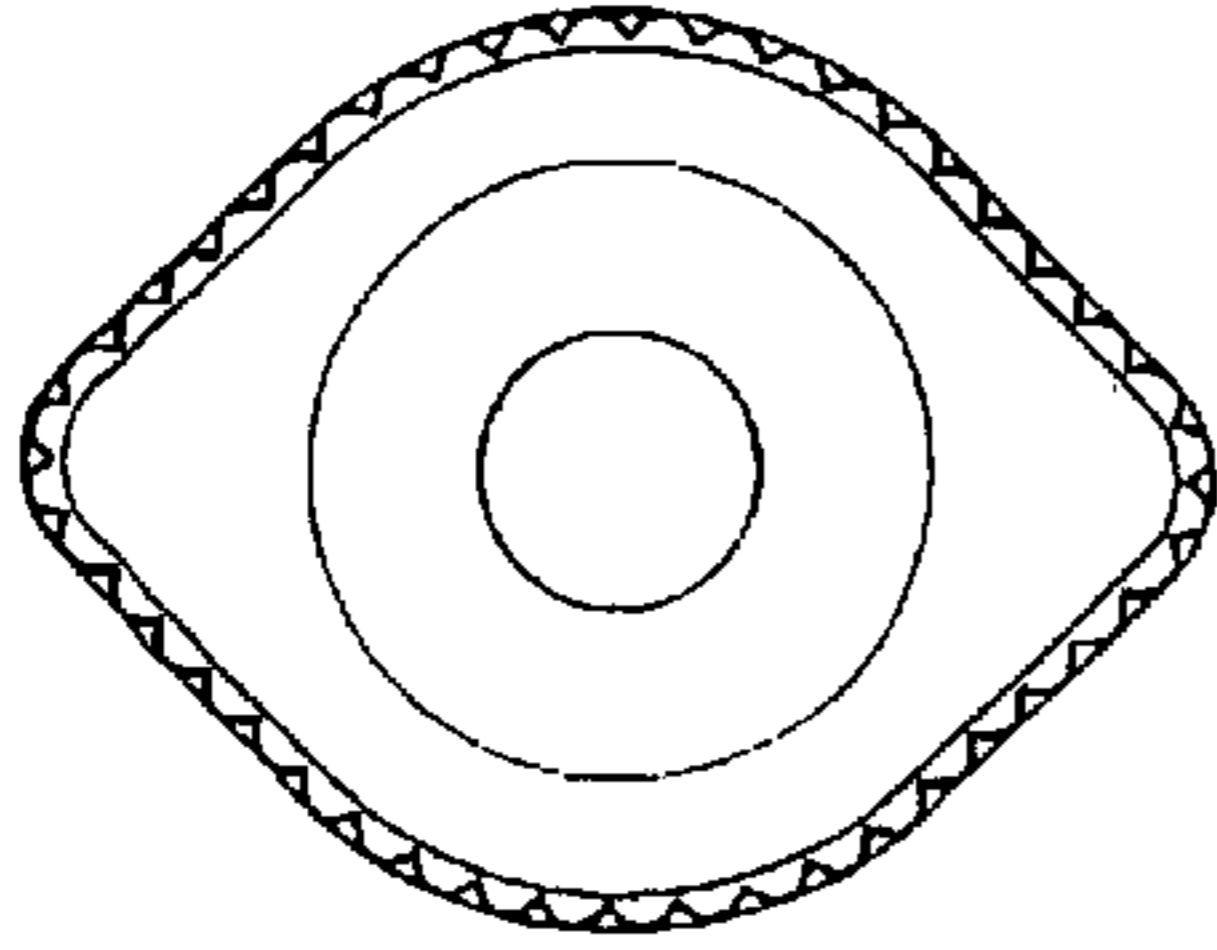


FIG. 2

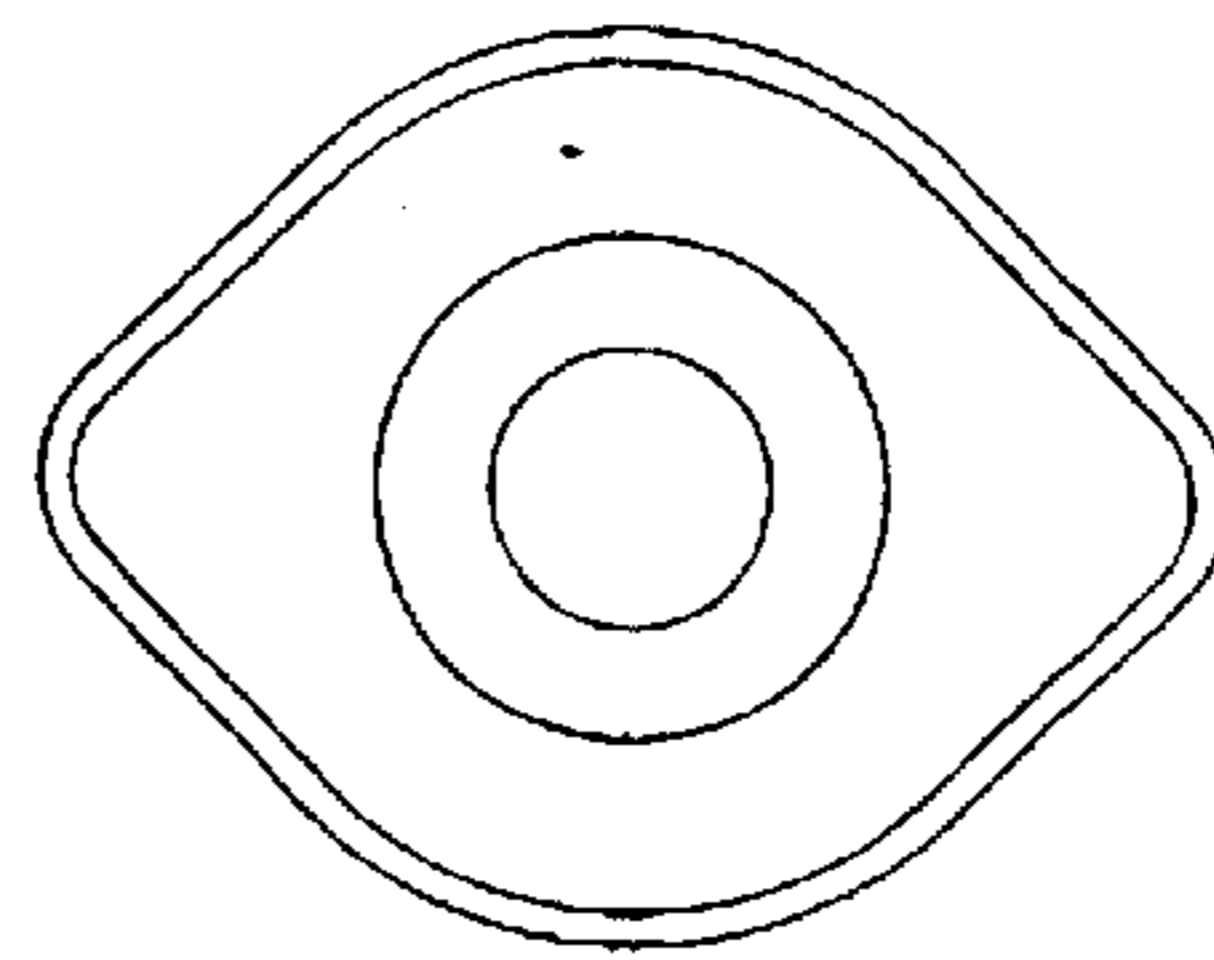


FIG. 3

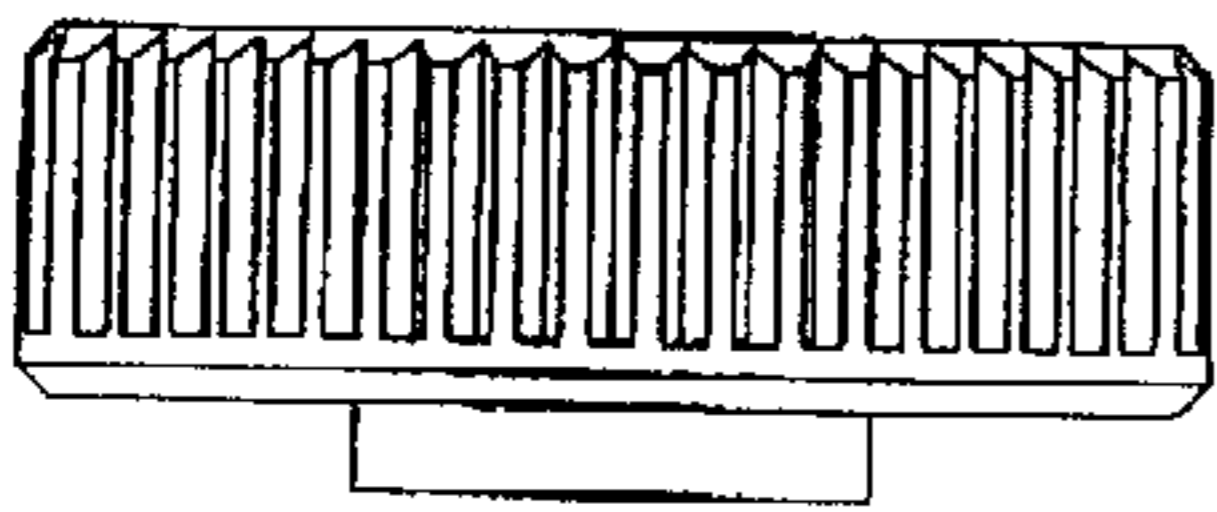


FIG. 4

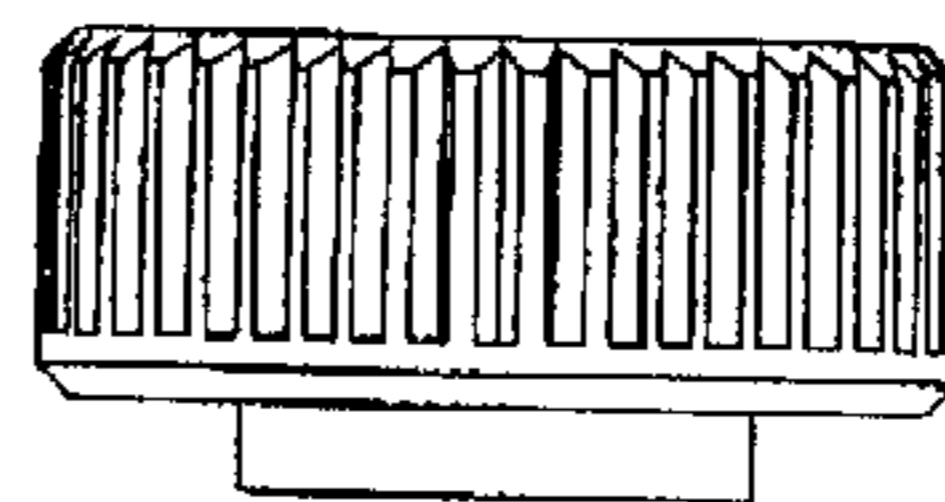


FIG. 5
