



US00D485146S

(12) **United States Design Patent**  
**Rivera**

(10) **Patent No.:** **US D485,146 S**  
(45) **Date of Patent:** **\*\* Jan. 13, 2004**

(54) **FRONT PORTION OF A PAIR OF JAWS FOR A FOLDING ELECTRICIAN'S TOOL**

Folding Scissors, at least as early Oct. 1994.

(List continued on next page.)

(75) Inventor: **Benjamin C. Rivera**, West Linn, OR (US)

*Primary Examiner*—Clare E. Heflin

(74) *Attorney, Agent, or Firm*—Chernoff, Vilhauer, McClung & Stenzel, LLP

(73) Assignee: **Leatherman Tool Group, Inc.**, Portland, OR (US)

(57) **CLAIM**

(\*\*) Term: **14 Years**

The ornamental design for a front portion of a pair of jaws for folding electrician's tool, as shown and described.

(21) Appl. No.: **29/175,222**

(22) Filed: **Jan. 30, 2003**

**DESCRIPTION**

**Related U.S. Application Data**

(63) Continuation-in-part of application No. 29/155,106, filed on Jan. 30, 2002, now Pat. No. Des. 474,085.

(51) **LOC (7) Cl.** ..... **08-05**

(52) **U.S. Cl.** ..... **D8/52; D8/105**

(58) **Field of Search** ..... D8/52-56, 58, D8/105, 98, 99, 107; 81/305, 380-409, 414-420, 424.5, 427.5, 9.4, 9.44; 7/102, 107, 125-129, 132, 166, 168, 131, 134; 30/34, 143, 153, 155, 161, 90.1, 90.2

FIG. 1 is an isometric view from the upper right front of a pair of jaws for a folding electrician's tool, showing my new design, wherein the broken-line depiction of the rearward parts of the jaws is included merely for illustrative purposes and forms no part of the claimed design;

FIG. 2 is a right side elevational view thereof, wherein the broken-line depiction of the rearward parts of the jaws is included merely for illustrative purposes and forms no part of the claimed design;

FIG. 3 is a top plan view thereof, wherein the broken-line depiction of the rearward parts of the jaws is included merely for illustrative purposes and forms no part of the claimed design;

FIG. 4 is a bottom plan view thereof, wherein the broken-line depiction of the rearward parts of the jaws is included merely for illustrative purposes and forms no part of the claimed design;

FIG. 5 is a rear, or tang, end elevational view thereof in broken line, included merely for illustrative purposes, and forming no part of the claimed design;

FIG. 6 is a front, or blade end elevational view thereof, wherein the broken-line depiction of the rearward parts of the jaws is included merely for illustrative purposes and forms no part of the claimed design; and,

FIG. 7 is a left side elevational view thereof, wherein the broken-line depiction of the rearward parts of the jaws is included merely for illustrative purposes and forms no part of the claimed design.

(56) **References Cited**

**U.S. PATENT DOCUMENTS**

310,439 A 1/1885 Kamak  
464,405 A 12/1891 Widmann  
515,828 A 3/1894 Hayden

(List continued on next page.)

**FOREIGN PATENT DOCUMENTS**

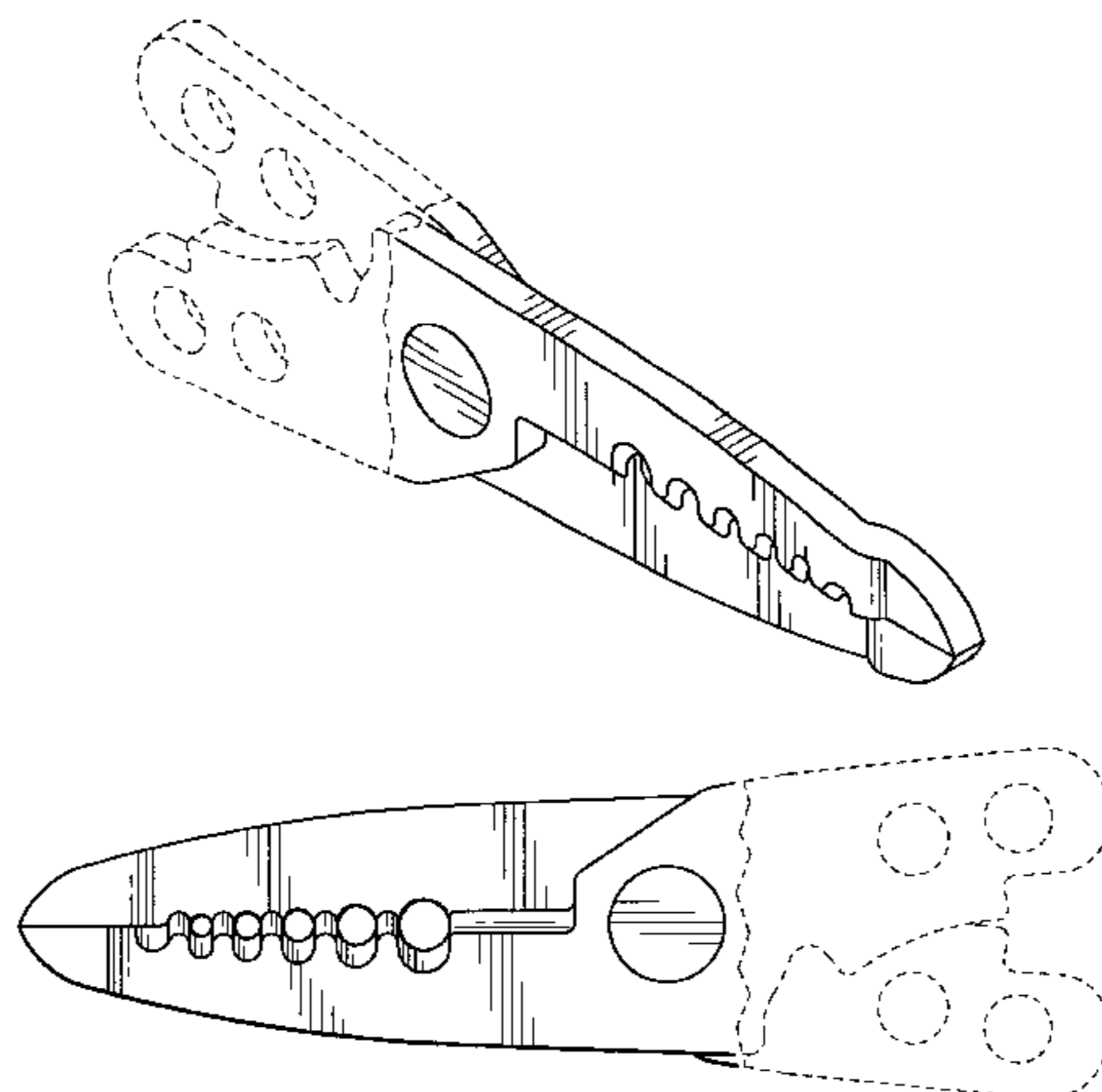
DE 29556 12/1884  
DE 145784 7/1902  
DE 217 059 1/1909

(List continued on next page.)

**OTHER PUBLICATIONS**

Hong Kong Enterprise Catalog, Mar. 1989, p. 12.  
Slip 'n' Snip Collapsible Scissors, at least as early as Oct. 1994.

**1 Claim, 2 Drawing Sheets**



U.S. PATENT DOCUMENTS

696,995	A	4/1902	Moser	
1,282,875	A	10/1918	Kupec	
1,524,694	A	2/1925	Maio	
1,828,121	A	10/1931	Adam et al.	
1,970,983	A	* 8/1934	Smith	7/107
2,126,699	A	8/1938	Florian	30/255
2,575,652	A	11/1951	Bovee	
2,952,912	A	9/1960	Crawford	
2,980,996	A	4/1961	Beran	30/157
D215,810	S	* 11/1969	Hindenburg	D8/58
3,597,775	A	* 8/1971	McCasland	7/106
3,747,211	A	7/1973	Calabrese	30/155
3,766,648	A	10/1973	Chundelak, Jr.	30/255
3,781,992	A	1/1974	Barr	30/255
3,947,905	A	4/1976	Neff	7/5.6
4,104,752	A	8/1978	Amrein et al.	7/107
4,238,862	A	12/1980	Leatherman	7/128
4,744,272	A	5/1988	Leatherman	81/427.5
D296,042	S	6/1988	Lee	D3/18
4,835,862	A	* 6/1989	Phillips	30/90.1
D303,872	S	10/1989	Tamamura	D3/18
4,888,869	A	12/1989	Leatherman	30/161
5,029,354	A	7/1991	Boyd, Jr. et al.	7/118
5,062,173	A	11/1991	Collins et al.	7/118
5,142,721	A	9/1992	Sessions et al.	7/128
5,212,844	A	5/1993	Sessions et al.	7/128
5,267,366	A	12/1993	Frazer	7/128
D348,191	S	6/1994	Williams	D8/57
5,323,502	A	* 6/1994	Miller	7/107
D364,327	S	11/1995	Graham	D8/105
5,497,522	A	3/1996	Chen	7/128
D368,634	S	4/1996	Frazer	D8/105
5,526,571	A	6/1996	Lindén	30/255
5,537,750	A	7/1996	Seber et al.	30/161
5,564,318	A	10/1996	Pail	81/427.5
D380,362	S	* 7/1997	Rivera	D8/52
D382,190	S	8/1997	Blackston et al.	D8/107
D382,455	S	8/1997	Berg	D8/52
D384,872	S	10/1997	Yeh	D8/105
D385,168	S	10/1997	Rivera	D8/52
D385,169	S	10/1997	Rivera	D8/52
D385,170	S	10/1997	Rivera	D8/52
D385,172	S	10/1997	Bramsiepe et al.	D8/83
D392,519	S	3/1998	Hung	D8/5
5,722,171	A	3/1998	Schmidt	30/255
5,743,582	A	* 4/1998	Rivera	294/99.2
5,745,997	A	* 5/1998	Berg et al.	30/155
D398,209	S	9/1998	Rivera	D8/52
D398,213	S	9/1998	Rivera	D8/105
5,809,599	A	9/1998	Frazer	7/128
D401,133	S	11/1998	Gardiner et al.	D8/105
5,829,329	A	11/1998	Frazer	81/427.5
D402,869	S	12/1998	Rivera	D8/57
D403,944	S	1/1999	Rivera	D8/107
D407,622	S	4/1999	Rivera	D8/52
D411,946	S	* 7/1999	Yeh	D8/55

D414,092	S	9/1999	Chang	D8/55
D414,387	S	* 9/1999	Hung	D8/5
5,978,993	A	11/1999	Rivera	7/128
D417,601	S	12/1999	Rivera	D8/107
6,014,787	A	1/2000	Rivera	7/128
D421,376	S	* 3/2000	Neff	D8/58
D421,377	S	3/2000	Rivera	D8/58
6,035,748	A	* 3/2000	Burch, Jr.	81/426
D423,893	S	5/2000	Mackin et al.	D8/52
D426,446	S	6/2000	Chau	D8/105
D426,447	S	6/2000	Chau	D8/105
D427,875	S	6/2000	Chau	D8/105
6,092,444	A	7/2000	Hsiao	81/440
D429,131	S	8/2000	Rivera	D8/58
D429,132	S	8/2000	Rivera	D8/58
D429,616	S	8/2000	Rivera	D8/105
D433,902	S	11/2000	Rivera	D8/52
6,234,050	B1	* 5/2001	Konen et al.	81/427.5
D445,009	S	7/2001	Rivera	D8/52
D474,085	S	* 5/2003	Rivera	D8/58
6,588,039	B1	* 7/2003	Bates	7/107

FOREIGN PATENT DOCUMENTS

DE	2322229	5/1974
EP	0 676 261 A1	10/1995
EP	0 771 622 A1	5/1997
EP	0783 937 A2	7/1997
EP	0 980 742 A1	2/2000
EP	1 116 557 A2	7/2000
EP	1 023 971 A3	8/2000
FR	409943	3/1910
FR	89 16842	6/1991
FR	97 03800	9/1998
GB	5375	11/1882
GB	270 186 A	5/1927
GB	947 703 A	1/1964
IT	521555	3/1955
WO	WO 97 19787	6/1997

OTHER PUBLICATIONS

Leatherman Tool Group, Inc., "The Original Leatherman PST II"—Jul. 1995.

Coast Cutlery Co., Micro-Pliers 12 in 1 Folding Tool MP2075CP, at least as early as Aug. 18, 1998.

Royal International Corp., KC Pro 95120 12 in 1 Pocket Multi-Tool, at least as early as Aug. 18, 1998.

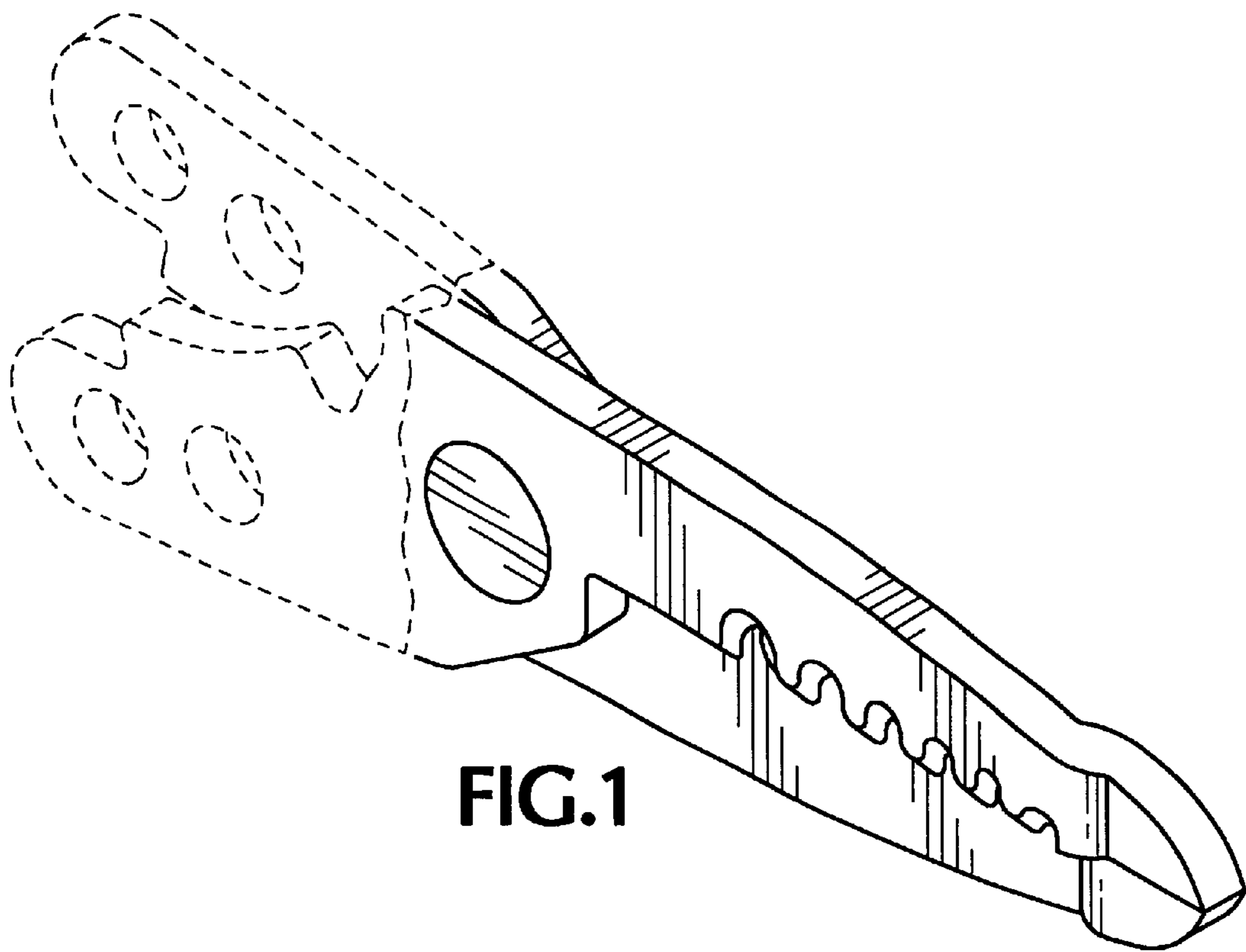
SOG Specialty Knives Inc., "User's Guide for the Power-Lock® Compound Leverage" and photographs.

Folding scissors with chain, on sale at least as early as 1994, photographs.

CHESCO® Fold Up Tool Sets, At least as early as 1998.

Cooper Tools, "TOOLZALL Electrician Multipurpose Tool," at least as early as Dec. 1, 2002 (copy of instruction brochure and digital photographs of tool).

\* cited by examiner



**FIG.1**

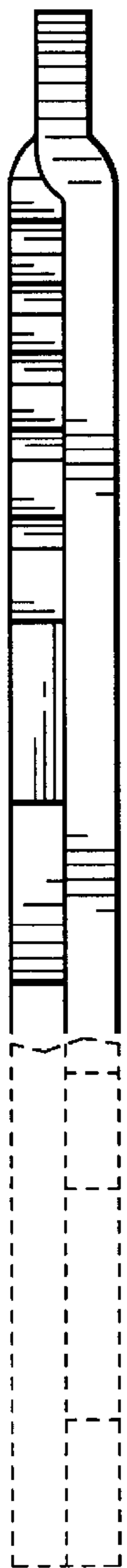


FIG. 3

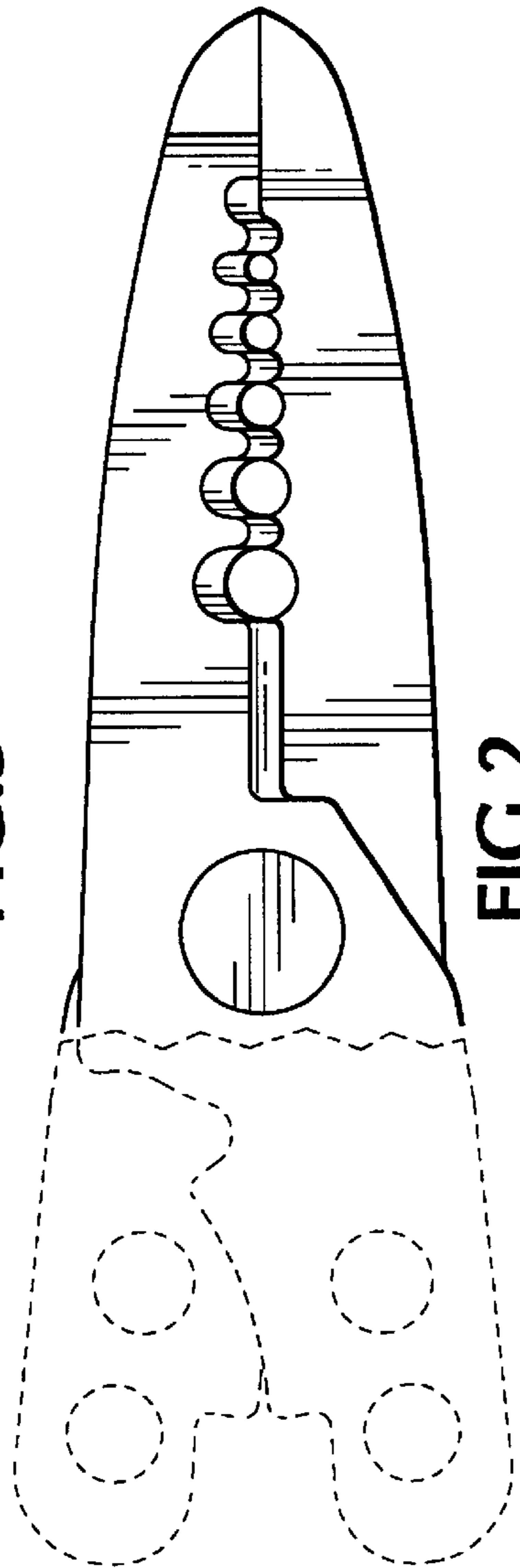


FIG. 2

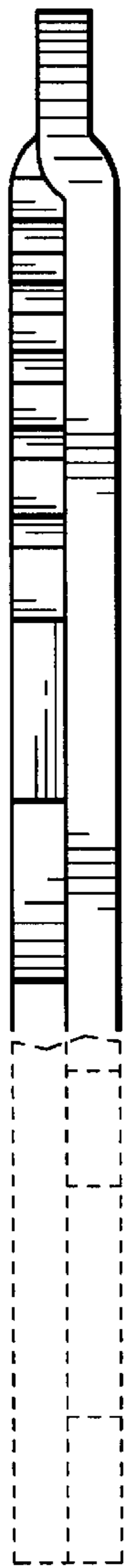


FIG. 4

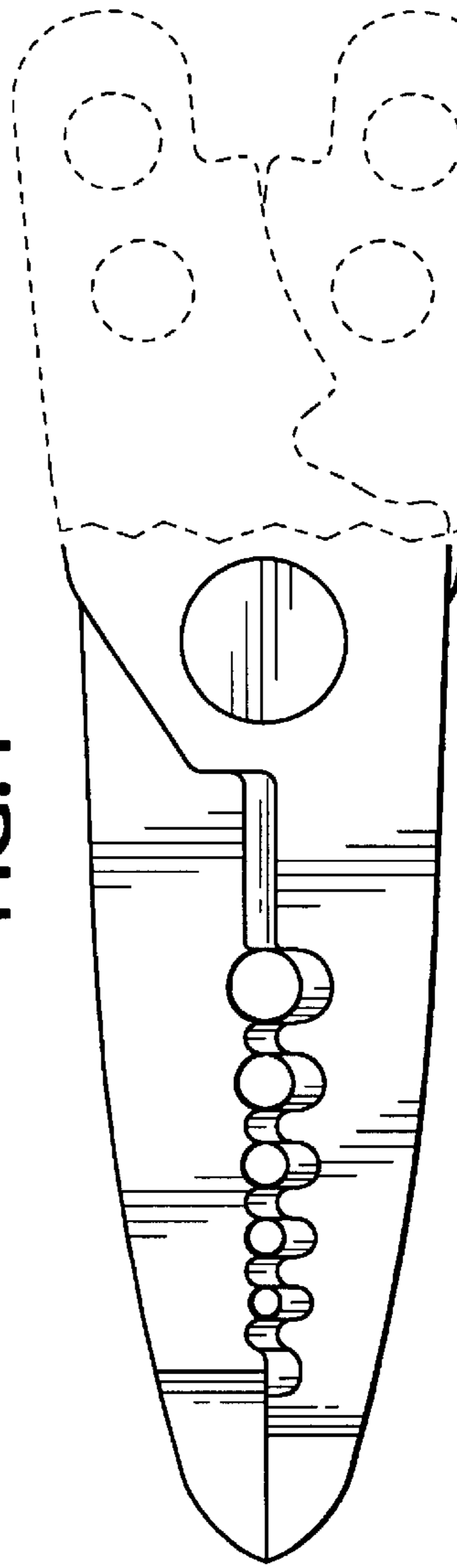


FIG. 7

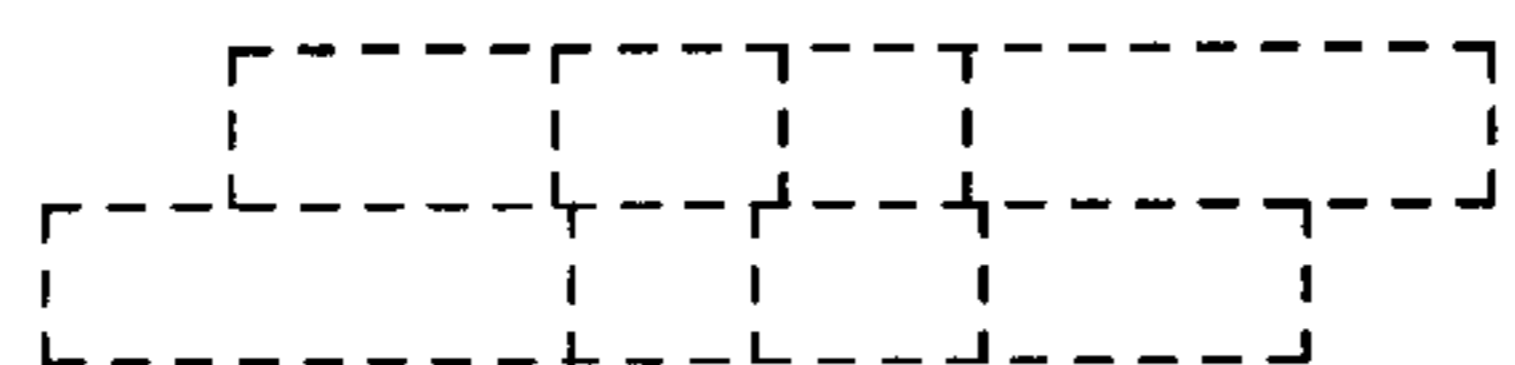


FIG. 5



FIG. 6