



US00D485145S

(12) **United States Design Patent**
Lee

(10) **Patent No.:** **US D485,145 S**

(45) **Date of Patent:** **** Jan. 13, 2004**

(54) **TIMEPIECE PRESS**

5,669,296 A * 9/1997 Newton 100/99

(76) Inventor: **Chun Kun Lee**, 313 Old South Rd.,
Duncan, SC (US) 29334

(**) Term: **14 Years**

(21) Appl. No.: **29/183,673**

(22) Filed: **Jun. 16, 2003**

(51) **LOC (7) Cl.** **08-05**

(52) **U.S. Cl.** **D8/51; D15/123**

(58) **Field of Search** D8/51; D15/122,
D15/123; 81/6, 7; 100/59, 61, 213, 216,
219, 231, 232, 281, 283; 72/415

(56) **References Cited**

U.S. PATENT DOCUMENTS

69,531 A	*	10/1867	Barbarin	100/218
427,604 A	*	5/1890	McKay	100/125
438,850 A	*	10/1890	Lockwood	100/257
789,906 A	*	5/1905	Gordon	100/231
1,251,765 A	*	1/1918	Fonnesbeck et al.	72/415
3,359,839 A	*	12/1967	Miller	81/6
3,930,427 A	*	1/1976	Addor	81/6
D364,410 S	*	11/1995	Schriever	D15/123

OTHER PUBLICATIONS

CAS-KER Co. Tools & Supplies for Jewelers and Watch-
makers, 2003, Cincinnati, OH, 2 pages.

* cited by examiner

Primary Examiner—Clare E Heflin

(74) *Attorney, Agent, or Firm*—Leatherwood Walker Todd
& Mann, P.C.

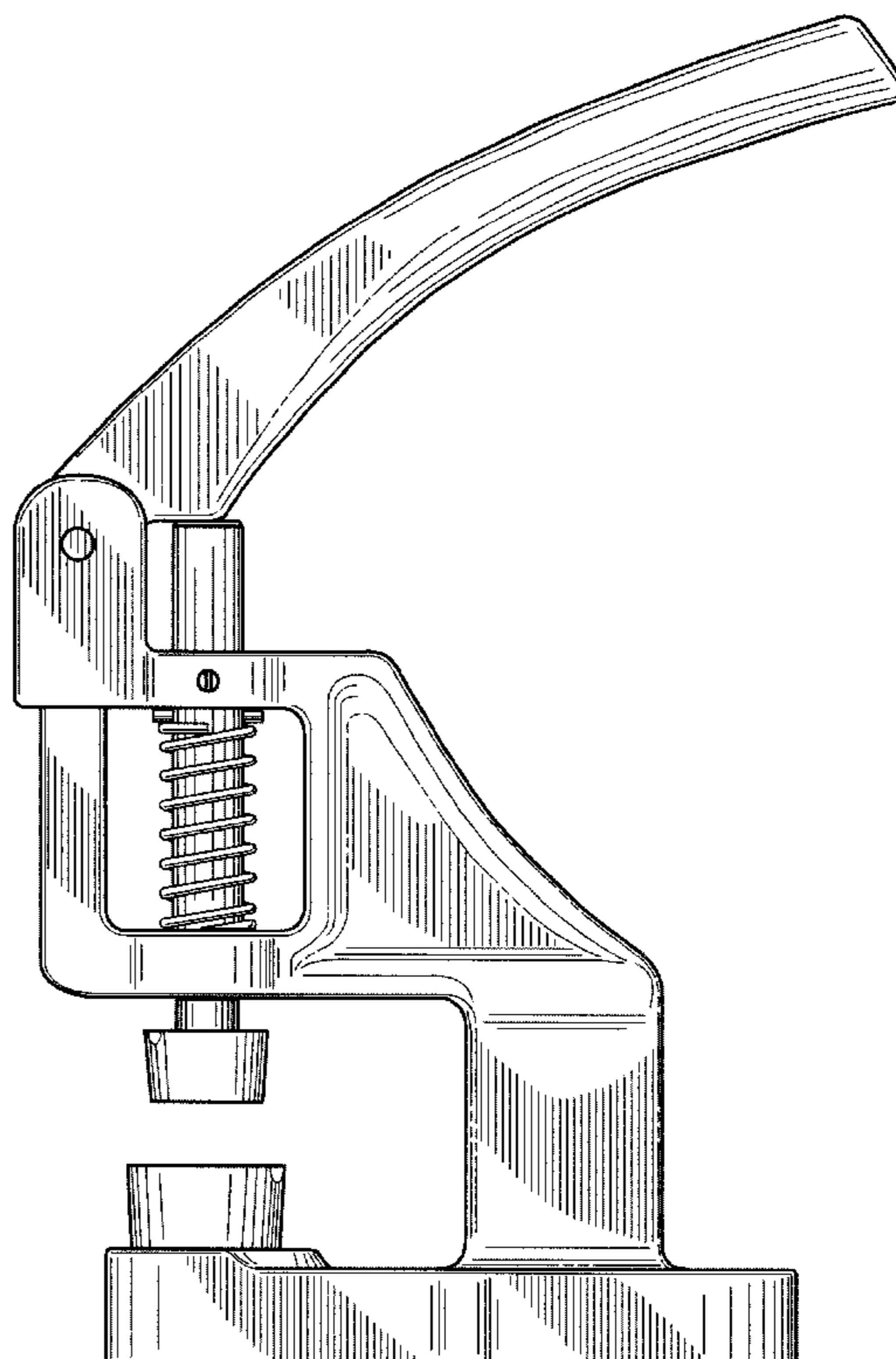
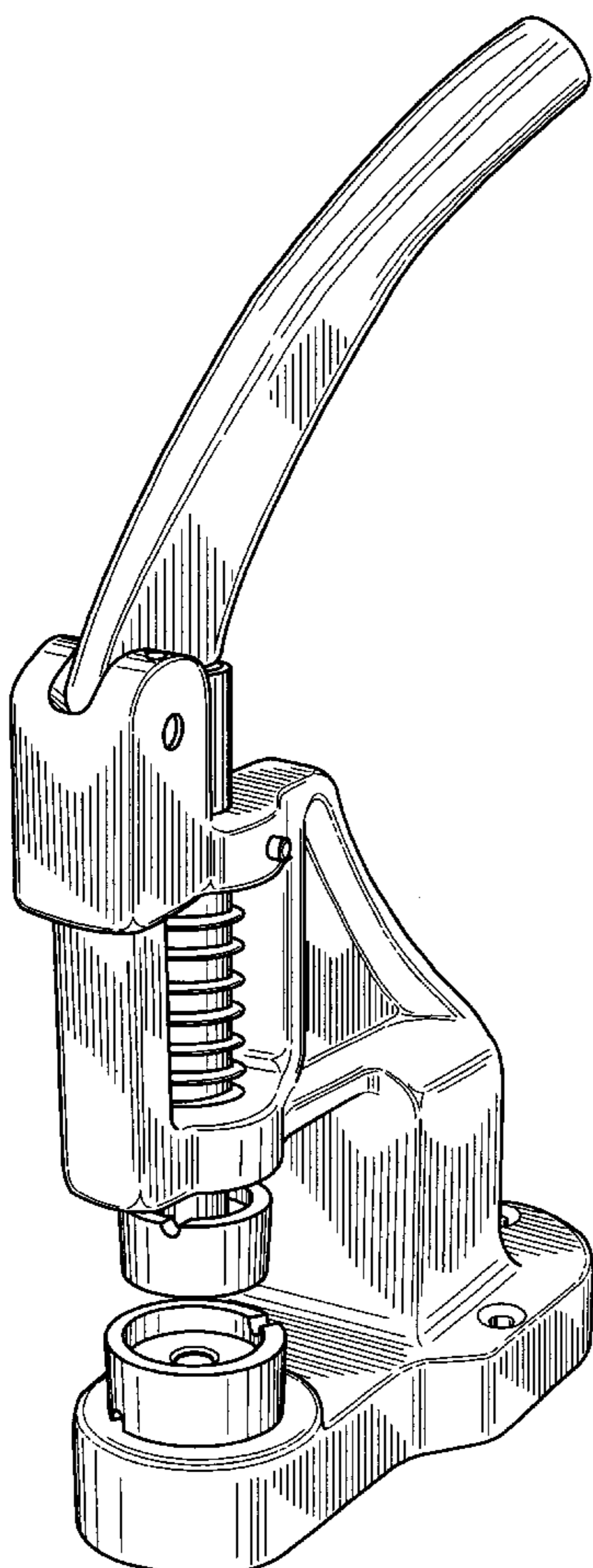
(57) **CLAIM**

The ornamental design for a timepiece press, as shown and
described.

DESCRIPTION

FIG. 1 is a perspective view showing my new design;
FIG. 2 is a left side elevational view thereof;
FIG. 3 is right side elevational view thereof;
FIG. 4 is a front elevational view thereof;
FIG. 5 is a rear elevational view thereof;
FIG. 6 is a top plan view thereof; and,
FIG. 7 is a bottom plan view thereof.

1 Claim, 5 Drawing Sheets



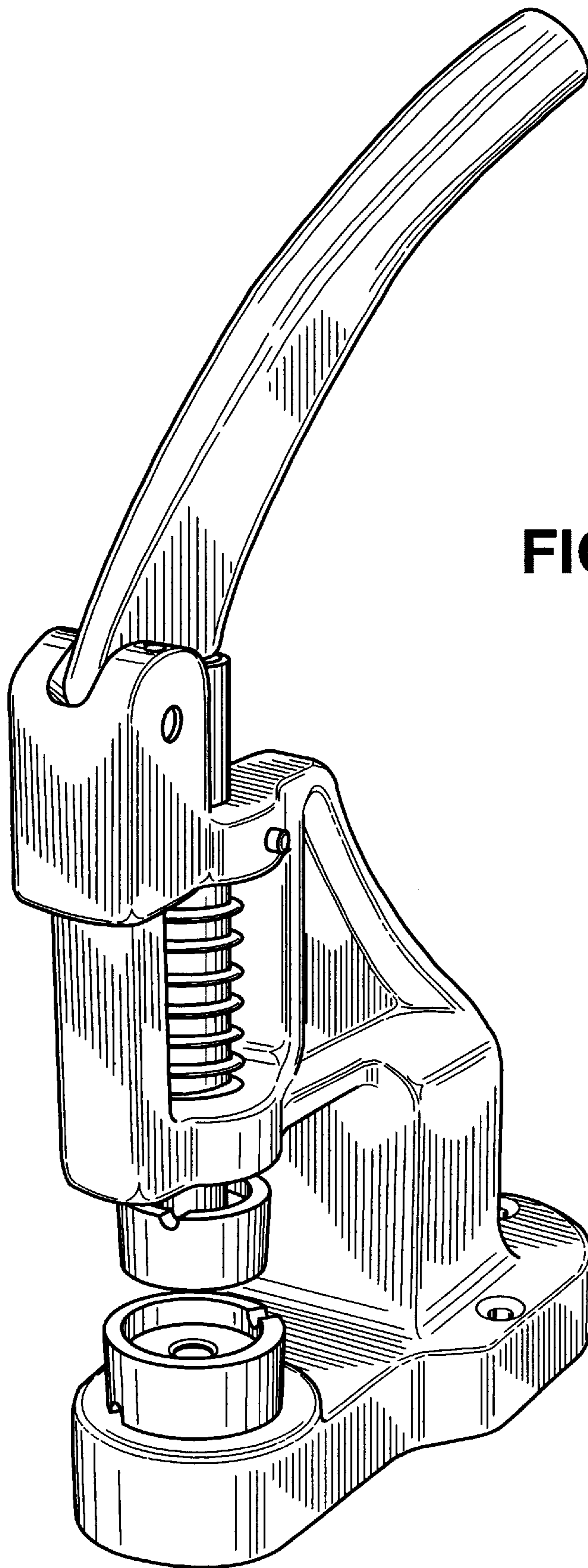


FIG. 1

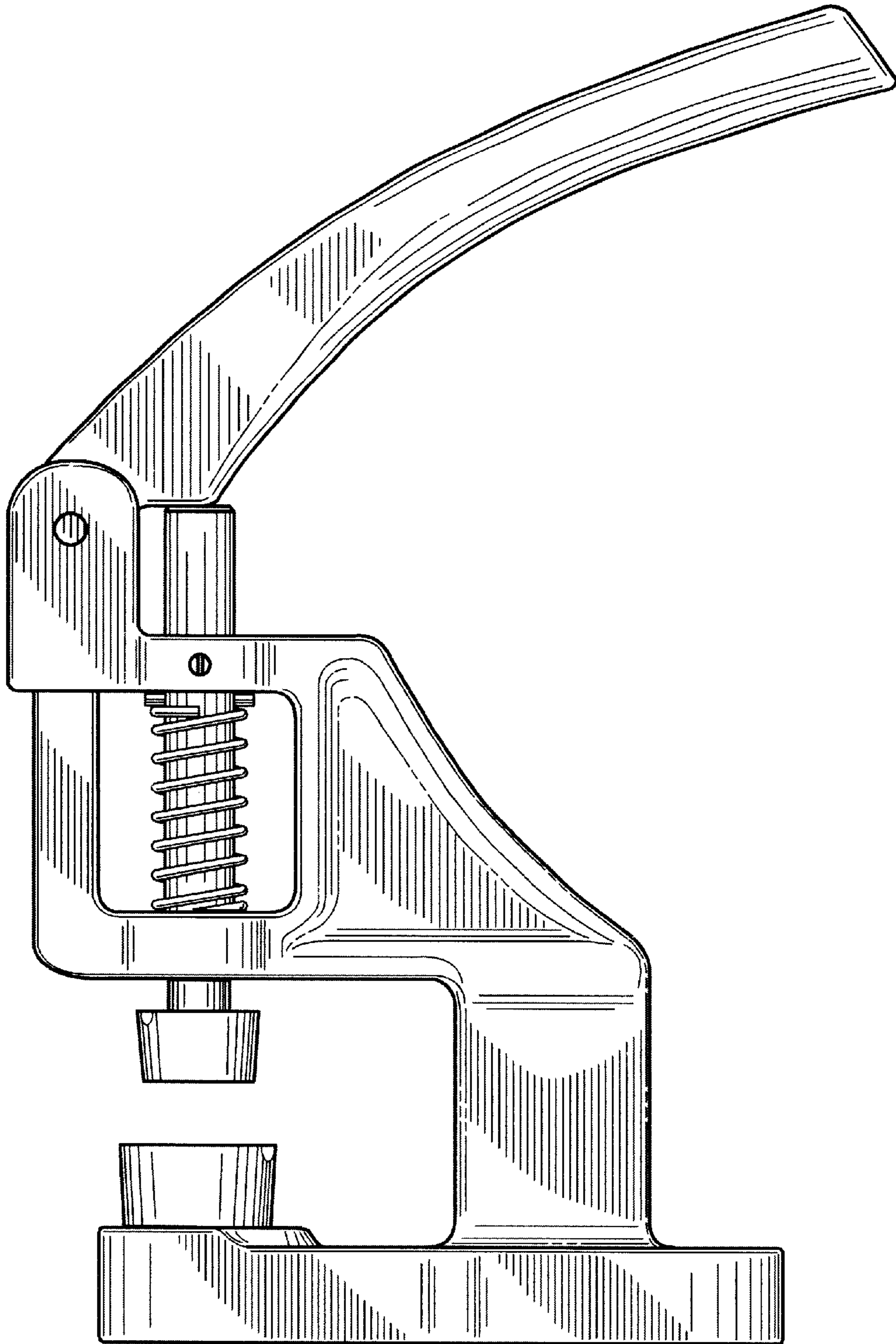


FIG. 2

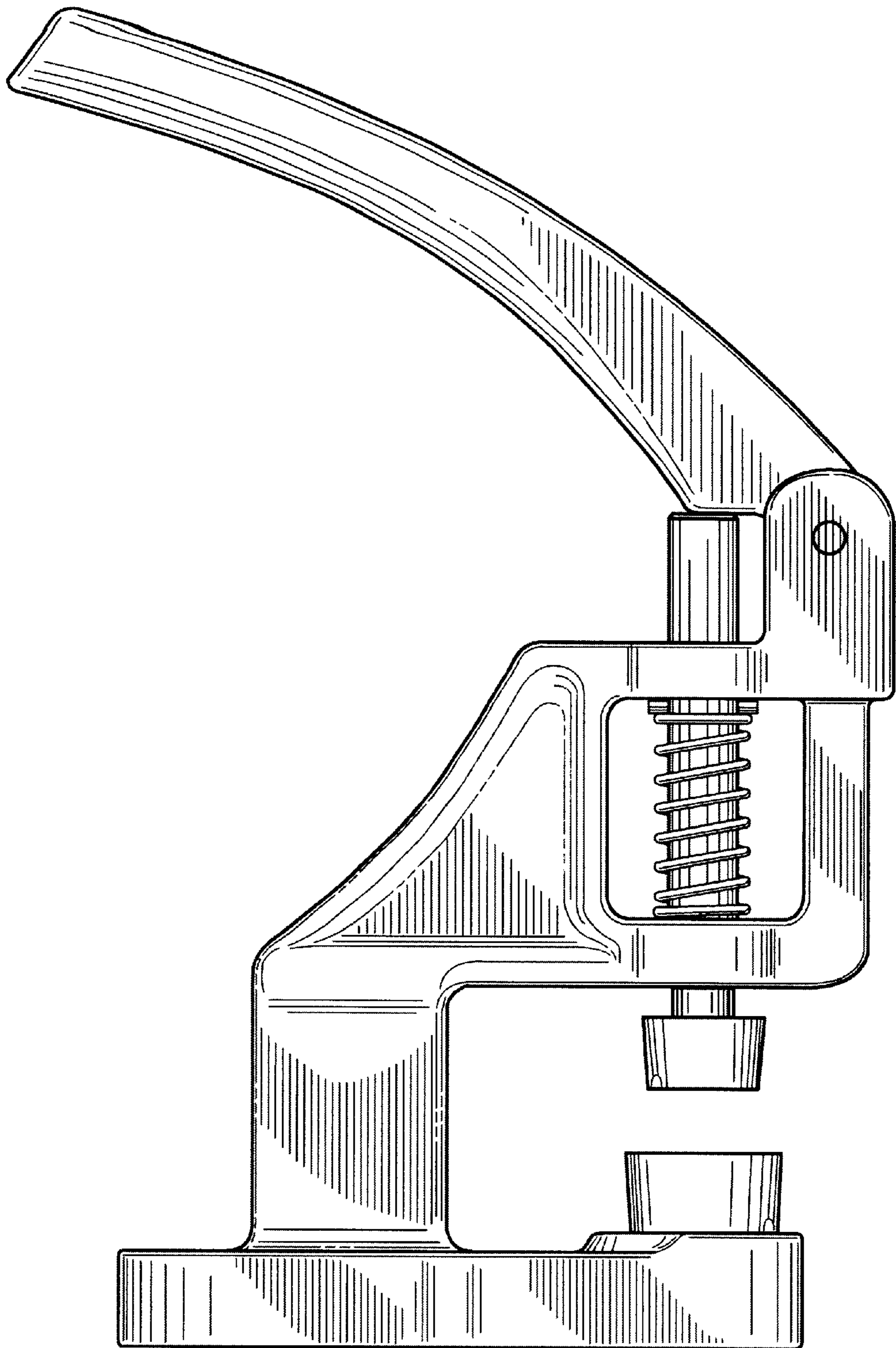


FIG. 3

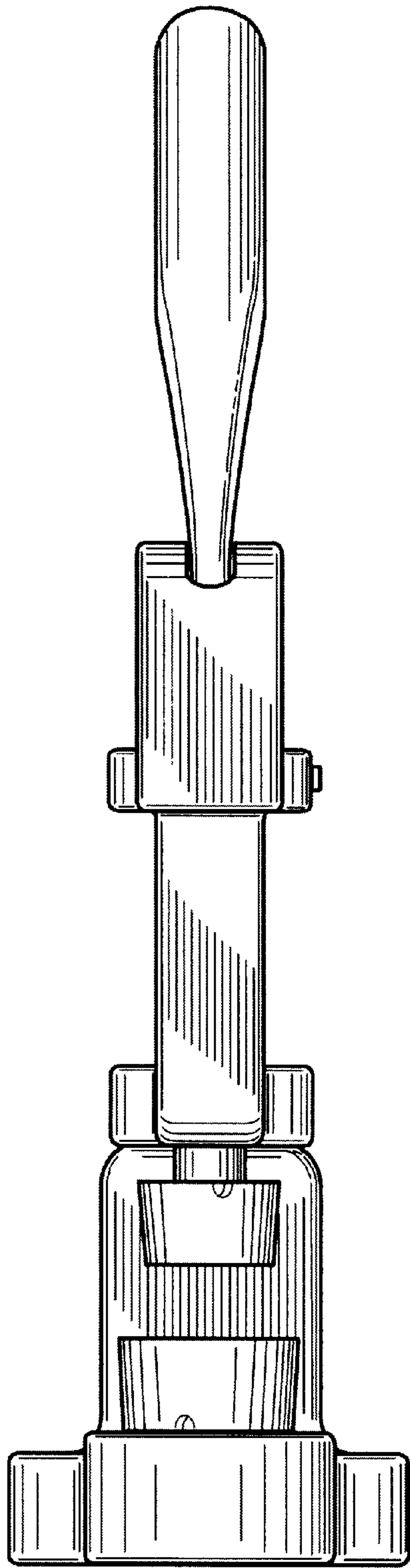


FIG. 4

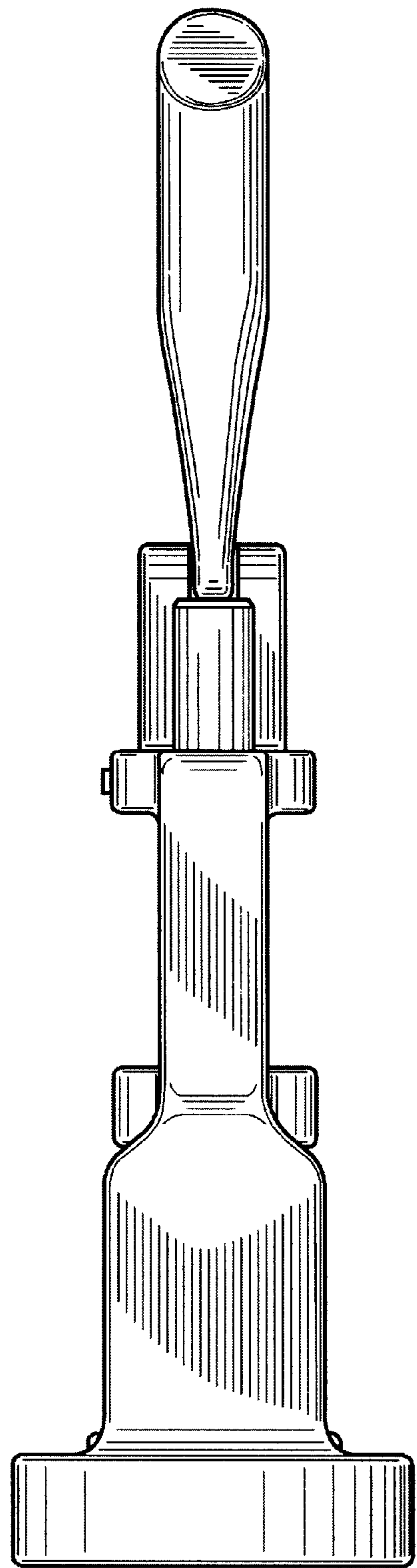


FIG. 5

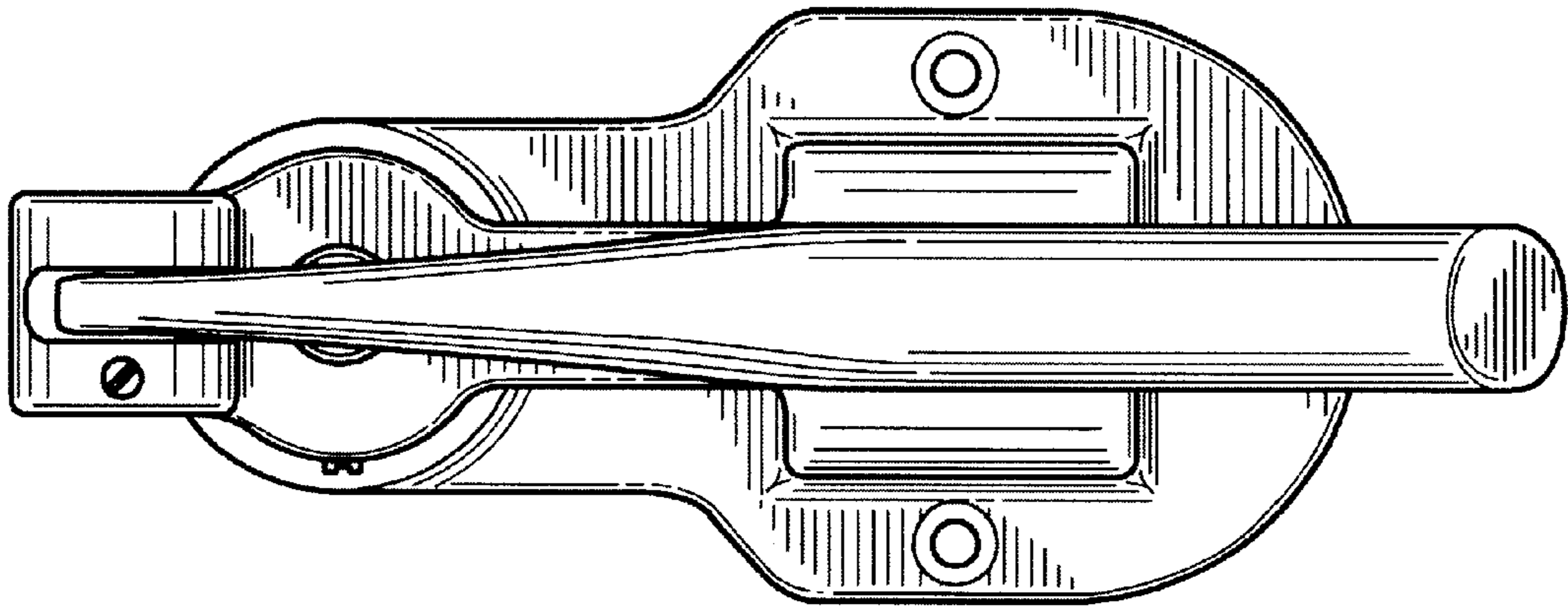


FIG. 6

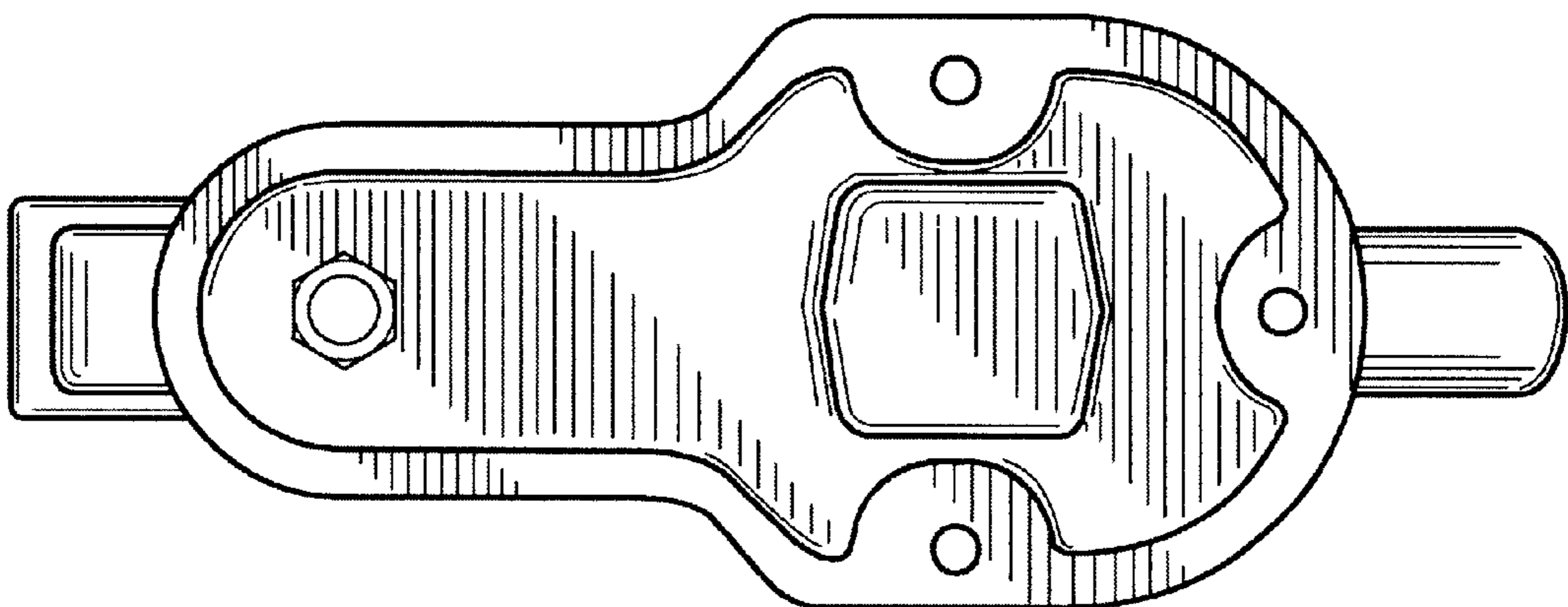


FIG. 7