



US00D485137S

(12) **United States Design Patent**  
**Bull**

(10) **Patent No.:** **US D485,137 S**

(45) **Date of Patent:** **\*\* Jan. 13, 2004**

(54) **COOKIE PRESS**

4,456,450 A 6/1984 Heling  
D453,451 S 2/2002 Yu

(75) Inventor: **Jeff Bull**, Naperville, IL (US)

\* cited by examiner

(73) Assignee: **Wilton Industries, Inc.**, Woodridge, IL (US)

*Primary Examiner*—Terry A. Wallace  
(74) *Attorney, Agent, or Firm*—Piper Rudnick LLP

(\*\*) Term: **14 Years**

(57) **CLAIM**

(21) Appl. No.: **29/173,703**

The ornamental design for a cookie press, as shown and described.

(22) Filed: **Jan. 3, 2003**

(51) **LOC (7) Cl.** ..... **07-04**

(52) **U.S. Cl.** ..... **D7/672**

(58) **Field of Search** ..... D7/665, 669, 672,  
D7/674; 222/256, 257, 260, 325–327, 333,  
386, 390–392; 425/87, 183, 190–192 S,  
376.1; D8/14.1

**DESCRIPTION**

FIG. 1 is a front perspective view of the cookie press;  
FIG. 2 is a side elevational view of the cookie press; the  
opposite side of which is an identical mirror image;  
FIG. 3 is a bottom plan view of the cookie press;  
FIG. 4 is a top plan view of the cookie press;  
FIG. 5 is front elevational view of the cookie press; and,  
FIG. 6 is a rear elevational view of the cookie press.

(56) **References Cited**

**U.S. PATENT DOCUMENTS**

2,927,543 A \* 3/1960 Sherbondy ..... 425/190

**1 Claim, 3 Drawing Sheets**

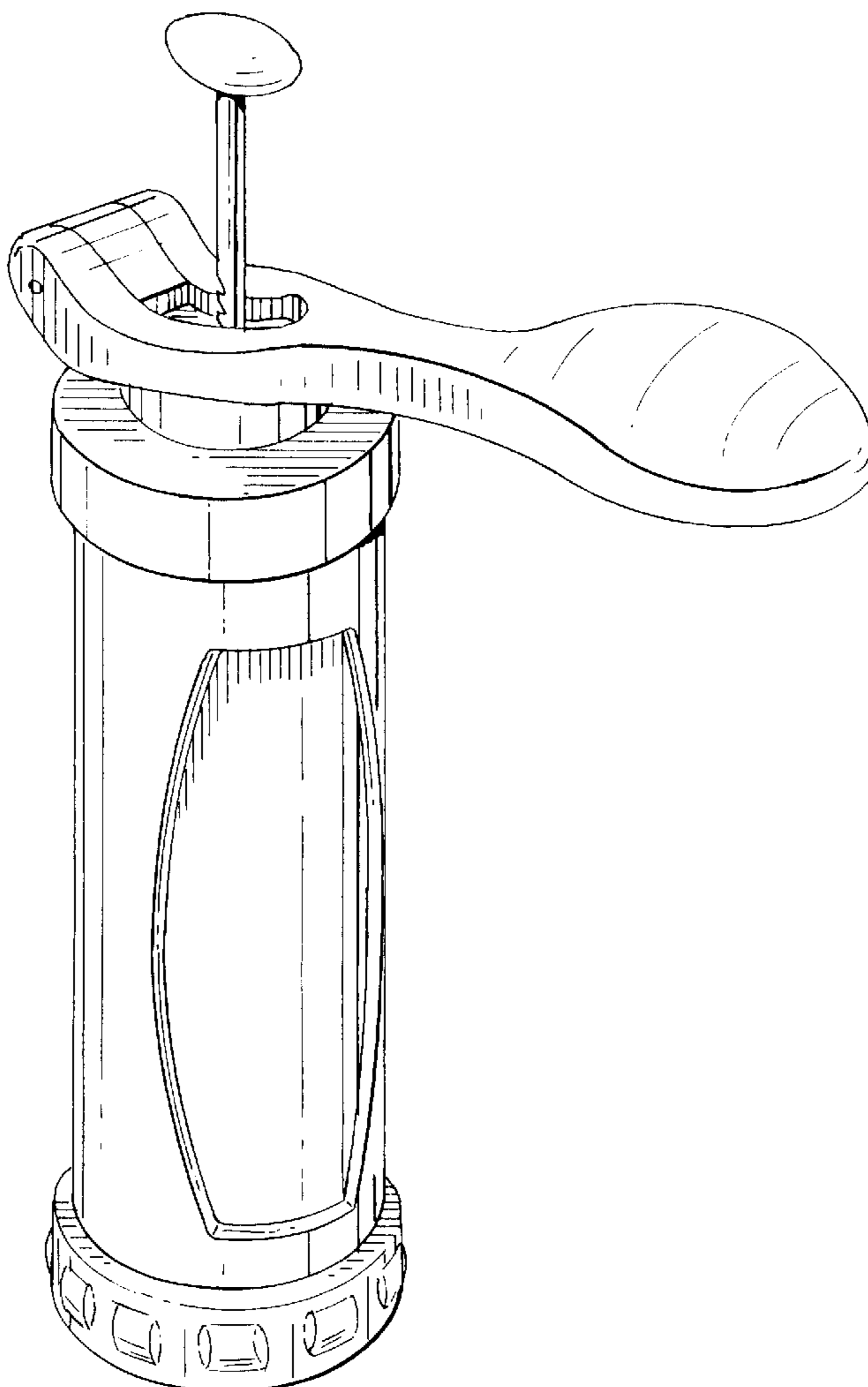


FIG. 1

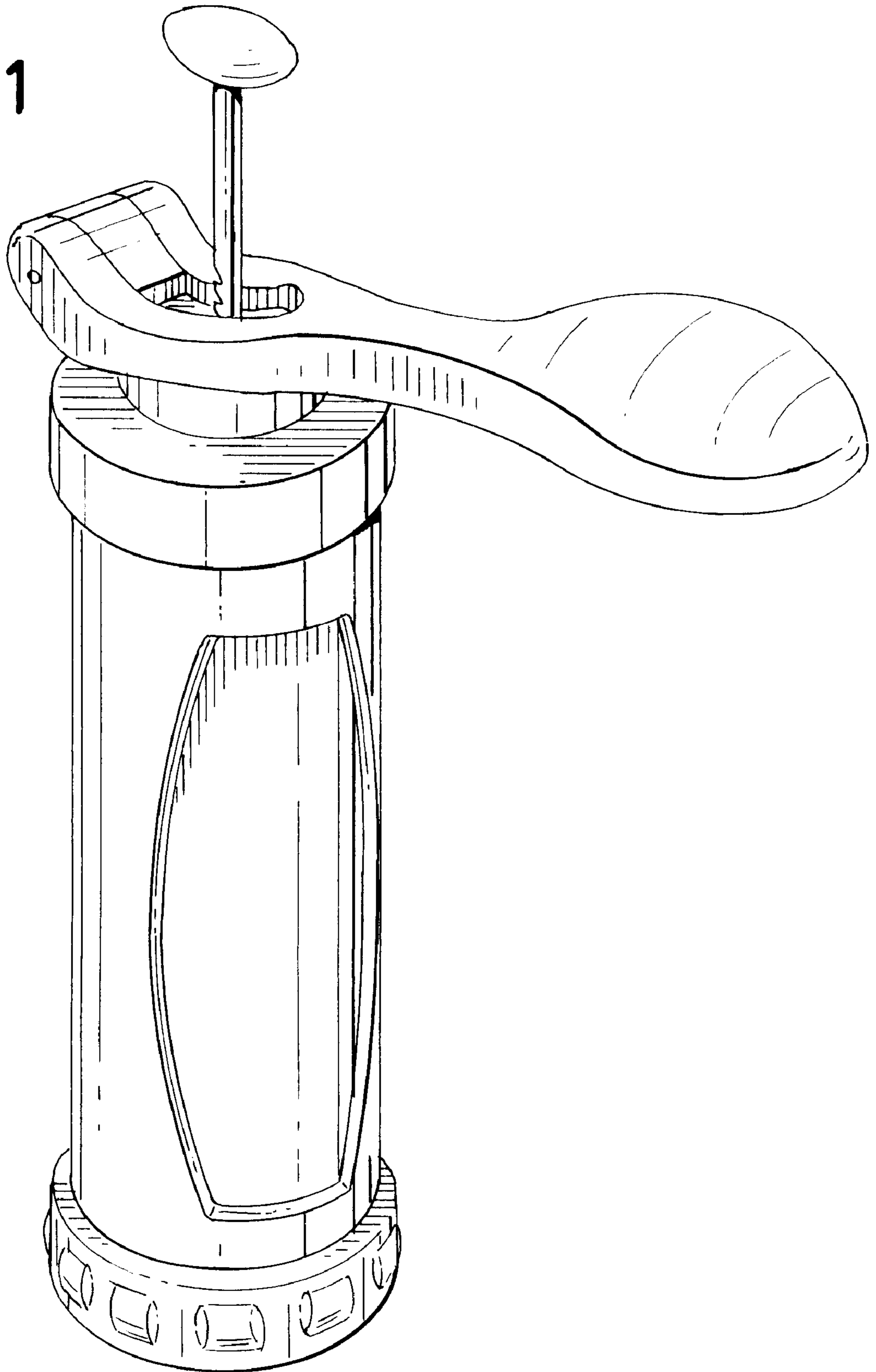


FIG. 2

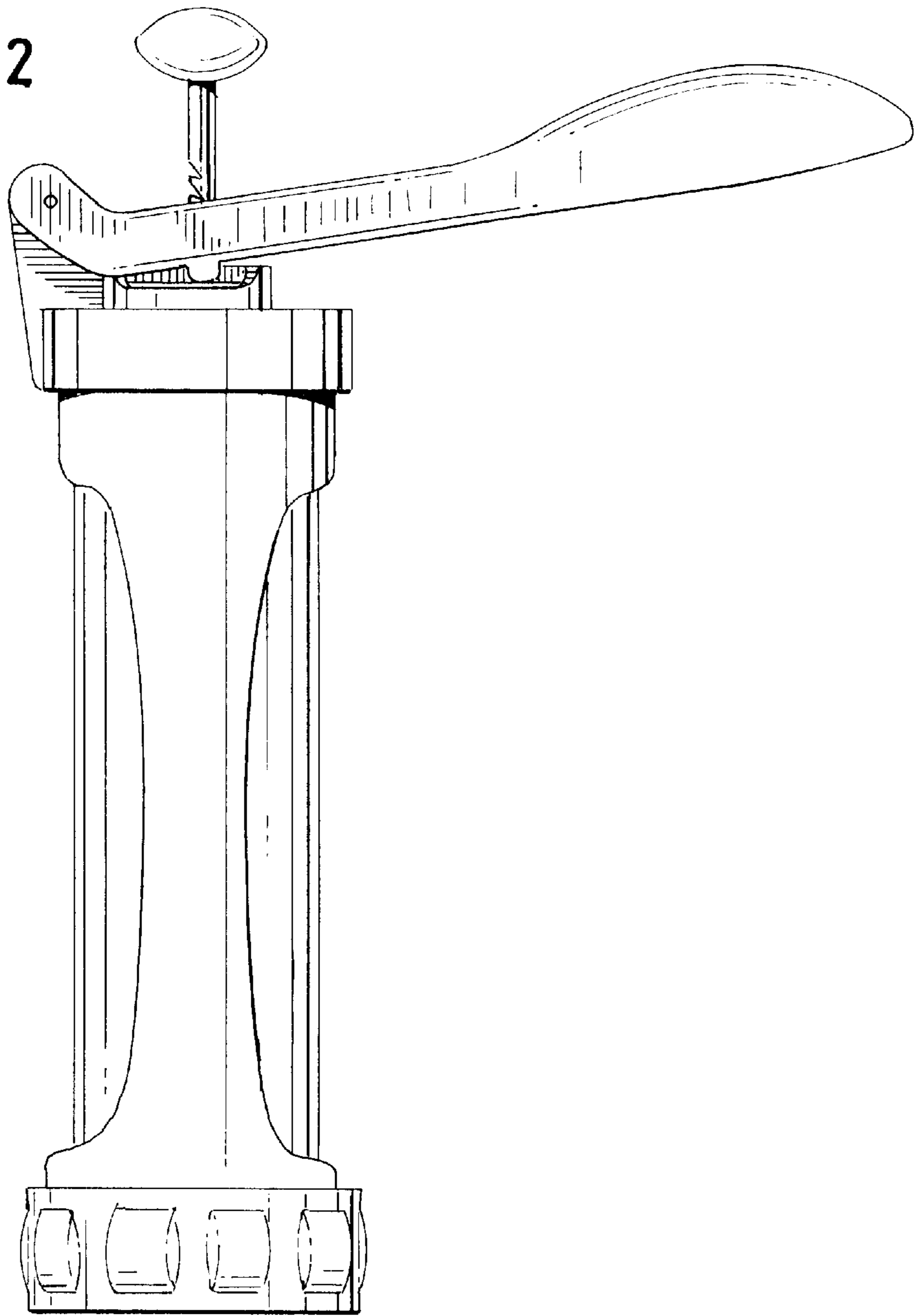


FIG. 3

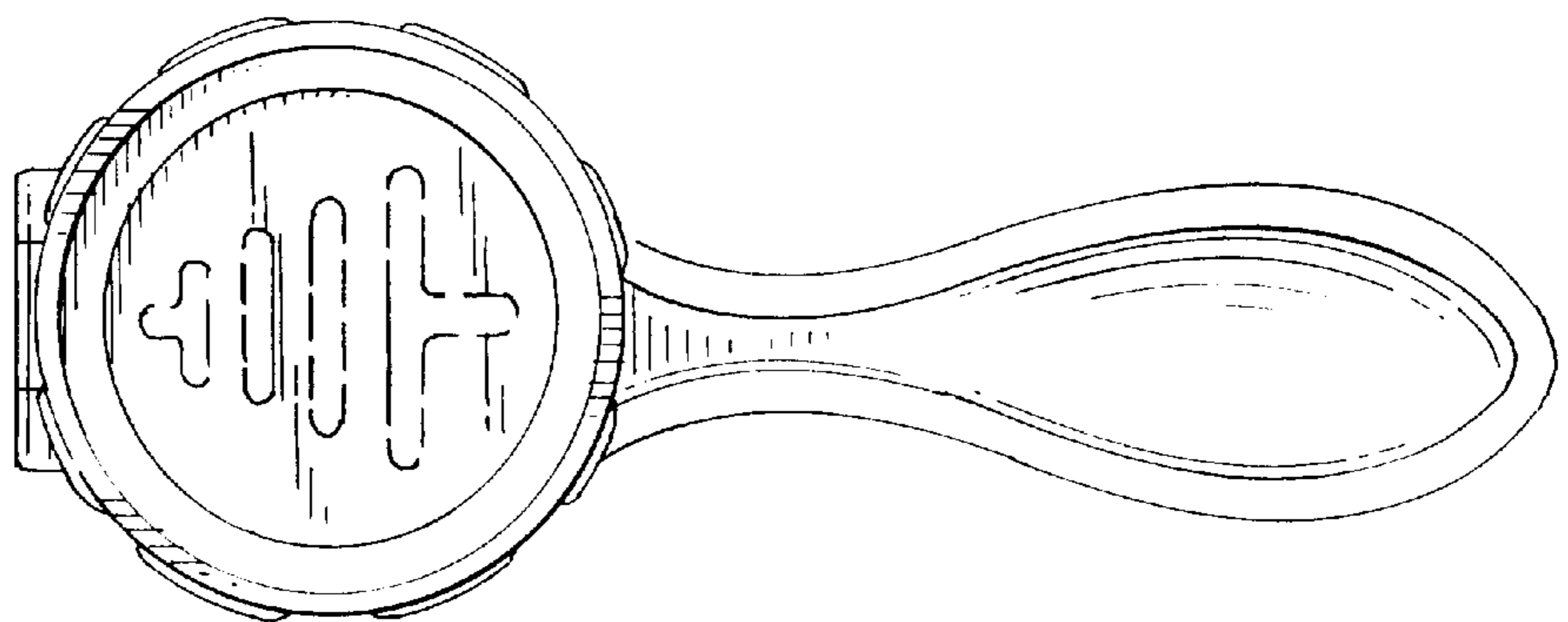


FIG. 4

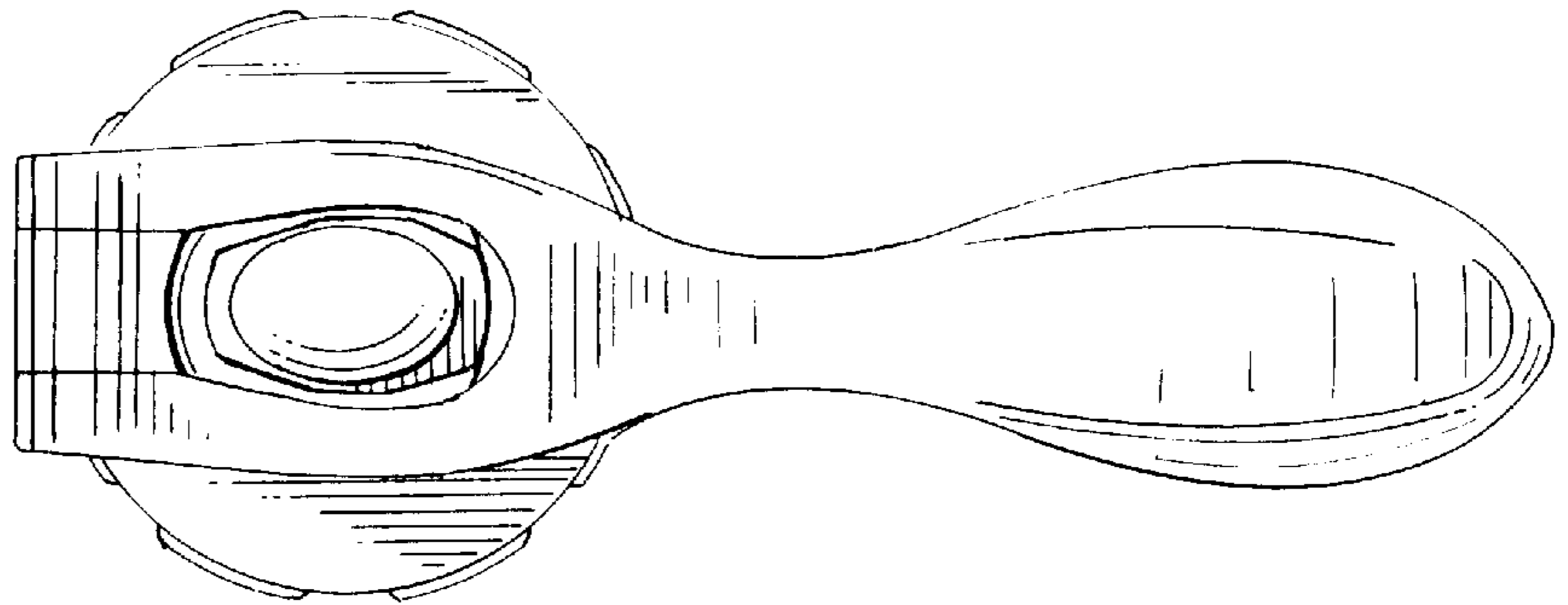


FIG. 5

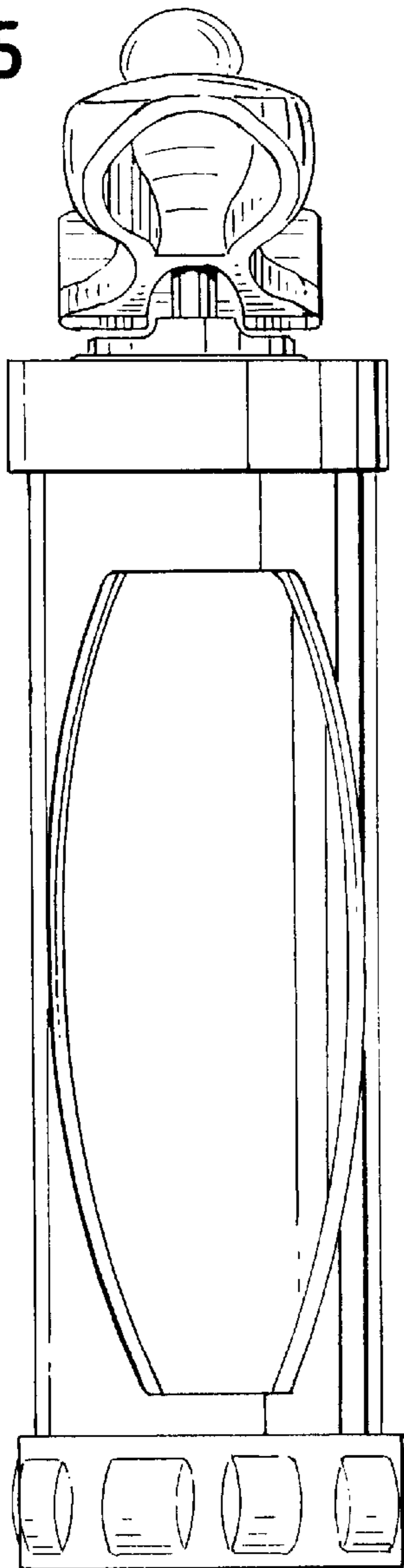


FIG. 6

