



US00D485132S

(12) **United States Design Patent**
Ohno et al.

(10) **Patent No.:** **US D485,132 S**

(45) **Date of Patent:** **** *Jan. 13, 2004**

(54) **THERMAL BOTTLE**

(75) Inventors: **Takashi Ohno**, Tokyo (JP); **Kunio Hatsumoto**, Tokyo (JP)

(73) Assignee: **Thermos K.K.**, Niigata-Ken (JP)

(*) Notice: This patent is subject to a terminal disclaimer.

(**) Term: **14 Years**

(21) Appl. No.: **29/165,222**

(22) Filed: **Aug. 6, 2002**

(51) **LOC (7) Cl.** **07-01**

(52) **U.S. Cl.** **D7/608**

(58) **Field of Search** D7/605-608, 312-322,
D7/510, 511; D9/500, 503, 504; 62/457.1-457.7;
215/12.1, 12.2, 13.1; 220/592.27, 592.16

(56) **References Cited**

U.S. PATENT DOCUMENTS

1,147,632 A * 7/1915 Lamb 215/13.1
D358,530 S * 5/1995 Mehra et al. D7/510

D371,304 S * 7/1996 Onneweer D9/503
D455,611 S * 4/2002 Kitamura et al. D7/608

* cited by examiner

Primary Examiner—Terry A. Wallace

(74) *Attorney, Agent, or Firm*—J.C. Patents

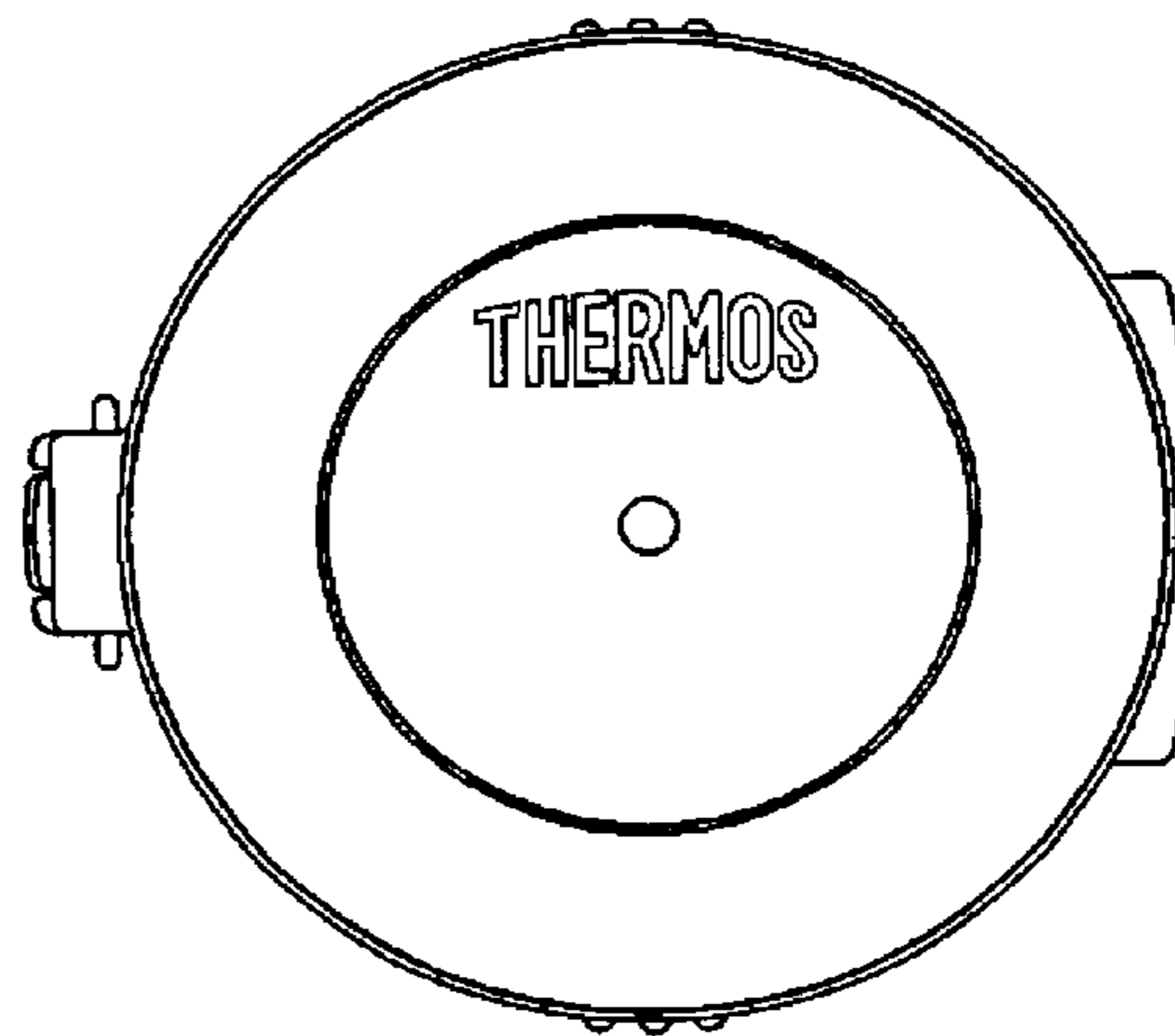
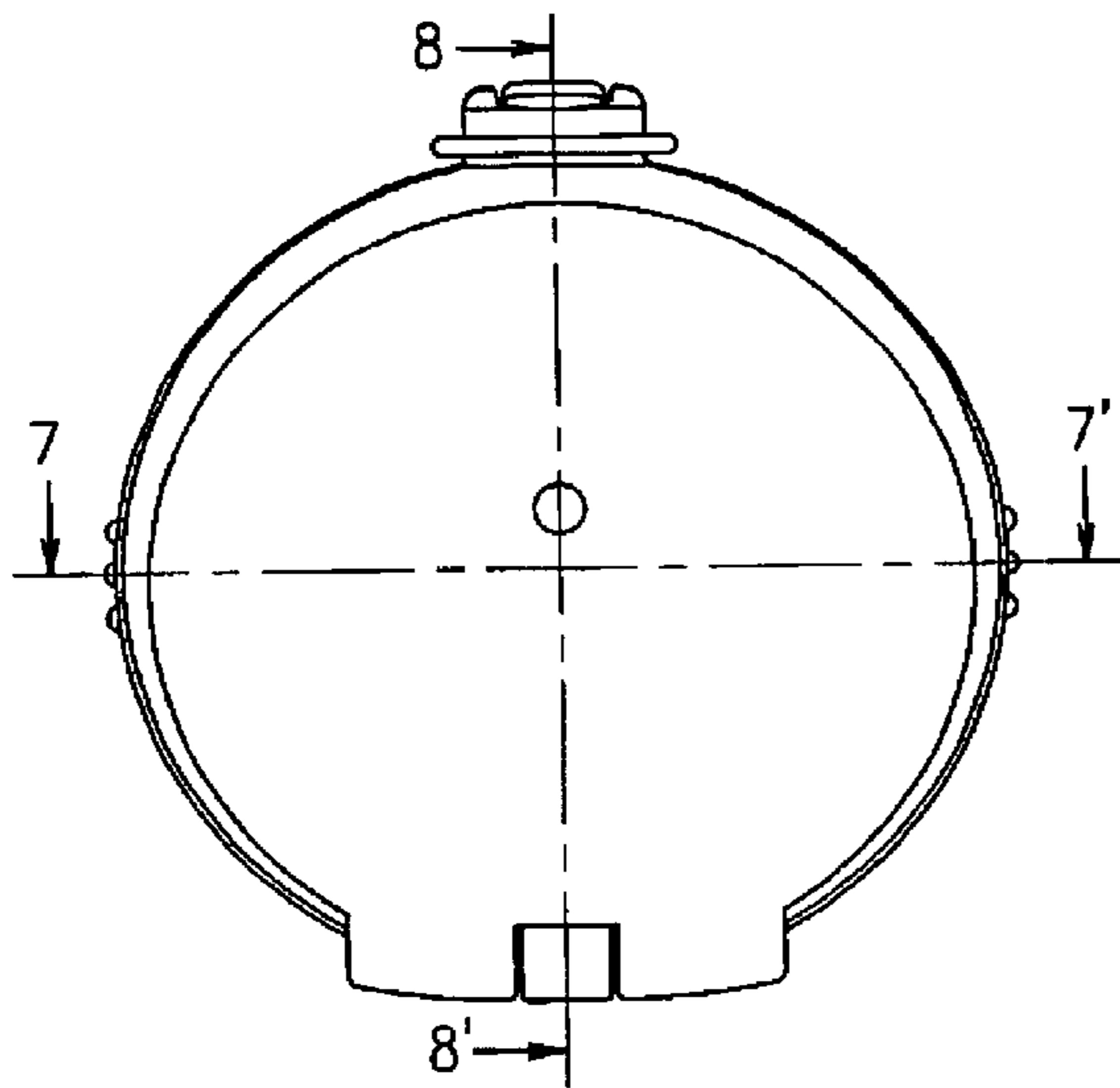
(57) **CLAIM**

The ornamental design for a thermal bottle, as substantially shown and described.

DESCRIPTION

FIG. 1 is a top plan thermal bottle view thereof;
FIG. 2 is a front thermal bottle view thereof;
FIG. 3 is a rear thermal bottle view thereof;
FIG. 4 is a bottom plan thermal bottle view thereof;
FIG. 5 is a right end thermal bottle view thereof;
FIG. 6 is a left end thermal bottle view thereof;
FIG. 7 is a sectional referential view of the thermal bottle shown in FIG. 1 take along line 7—7';
FIG. 8 is a sectional referential view of the thermal bottle shown in FIG. 1 take along line 8—8'; and,
FIG. 9 is a perspective referential view for a thermal bottle with cap is opened.

1 Claim, 9 Drawing Sheets



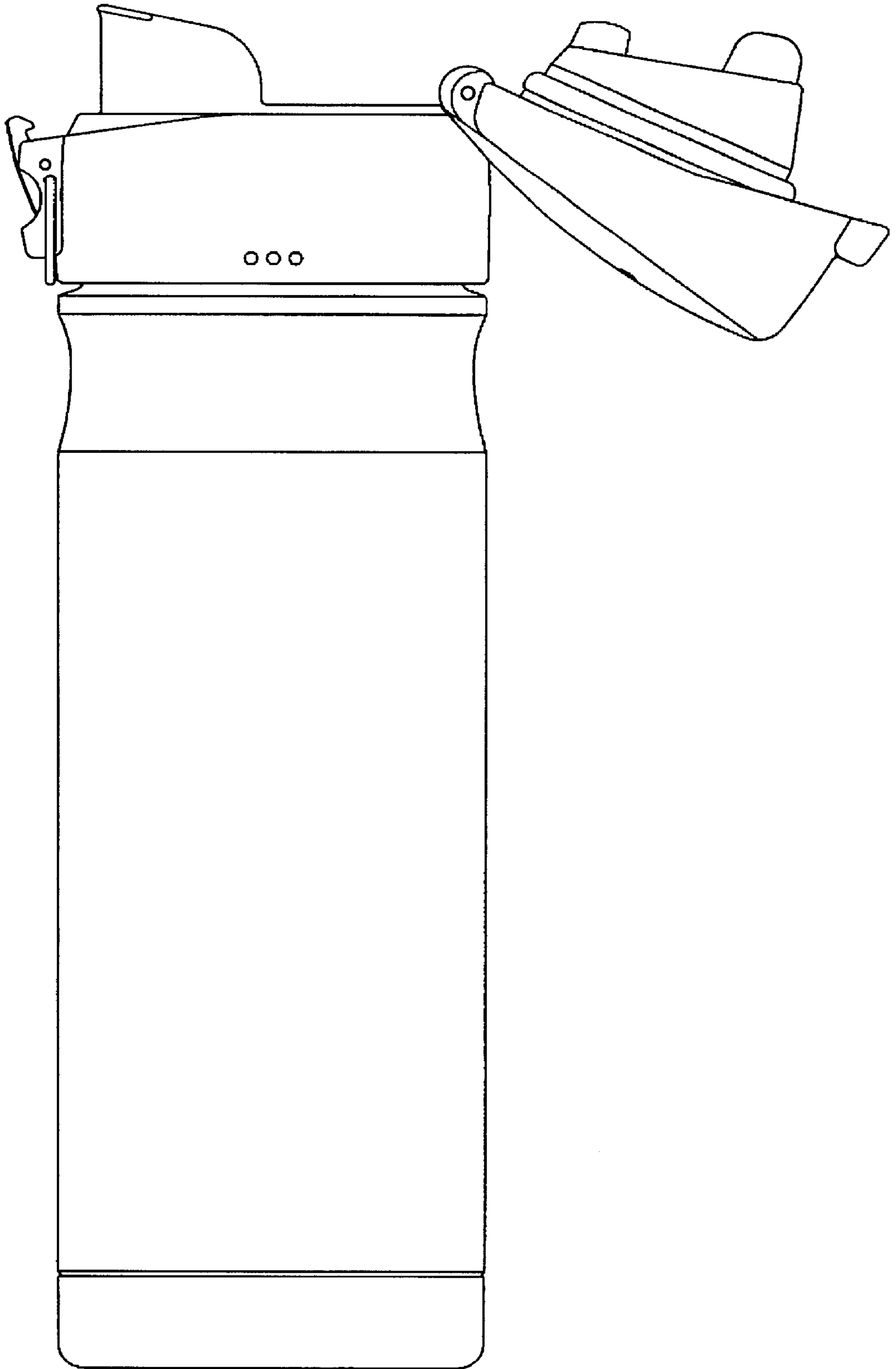


FIG. 1

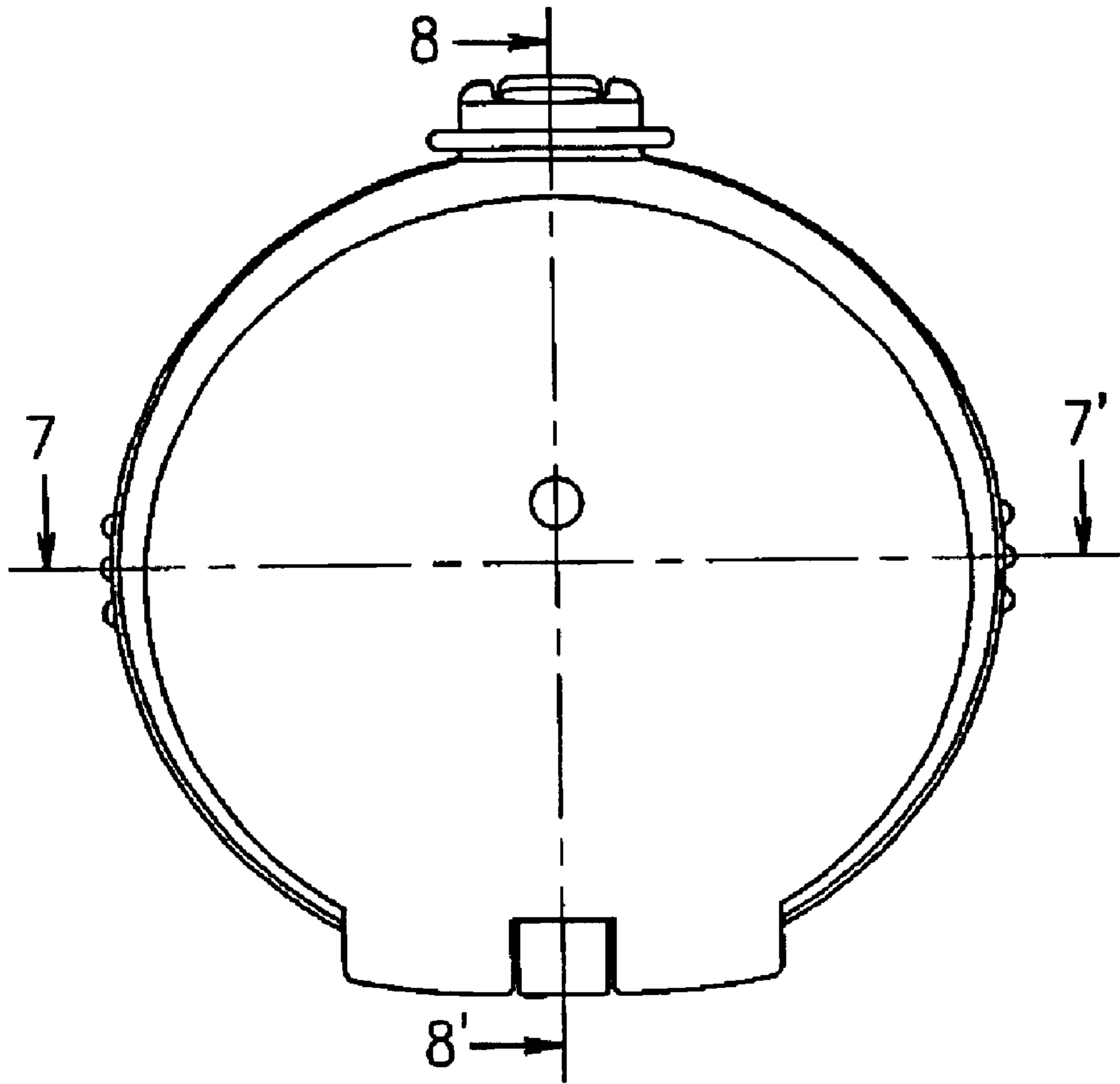


FIG. 2

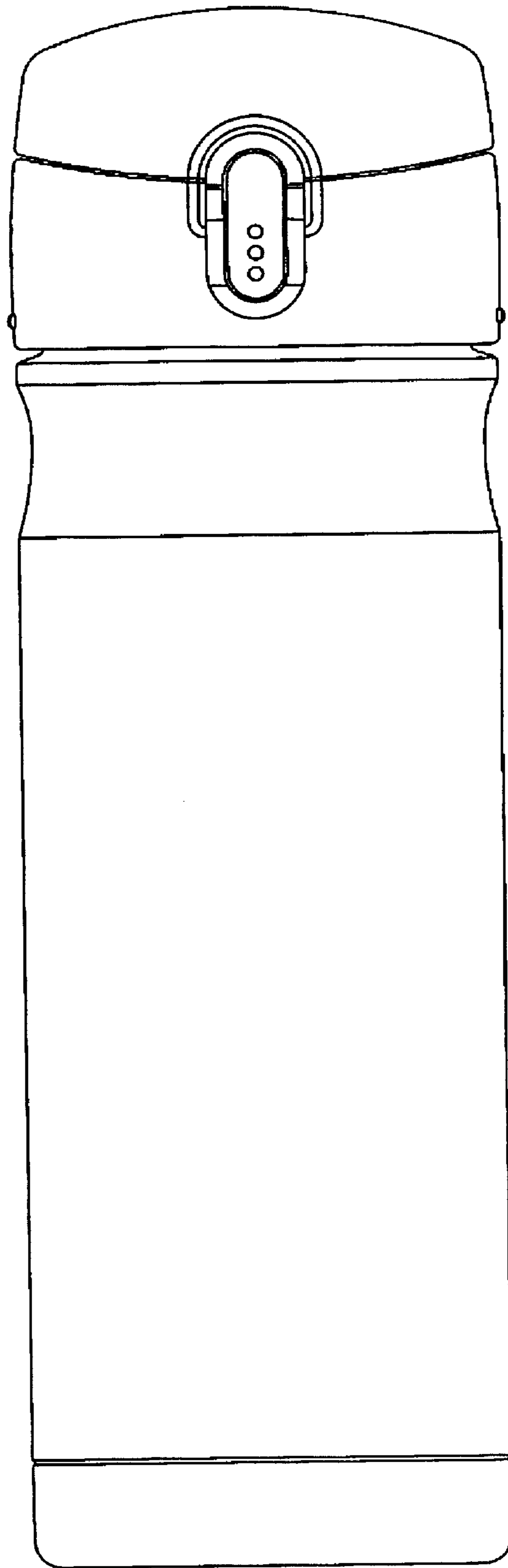


FIG. 3

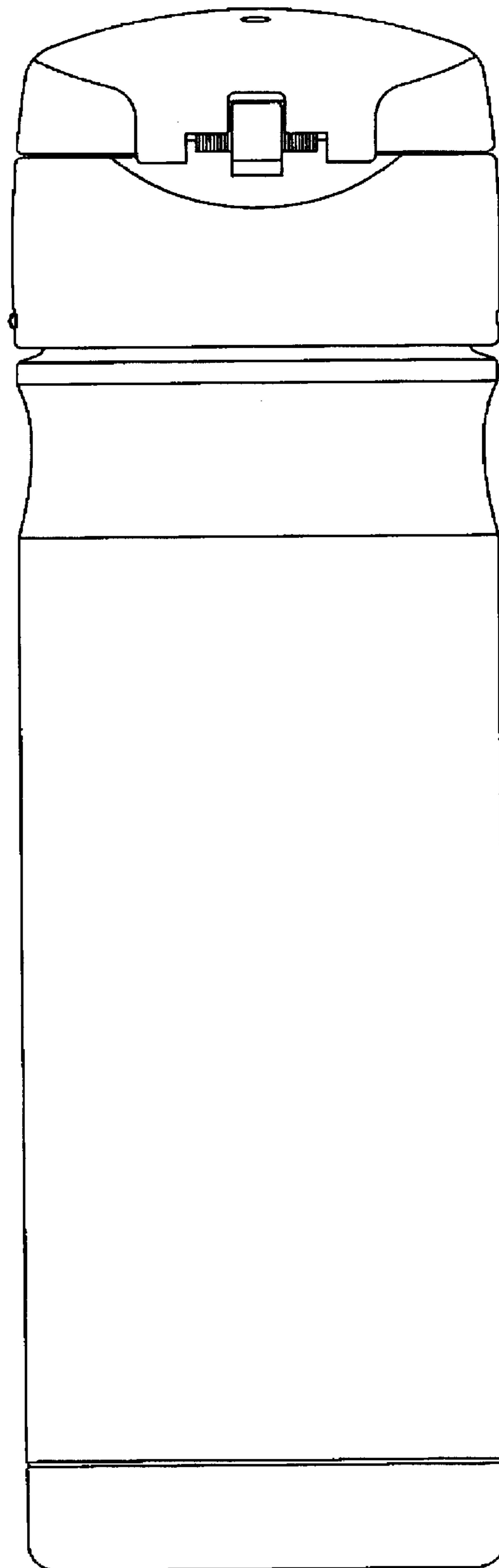


FIG. 4

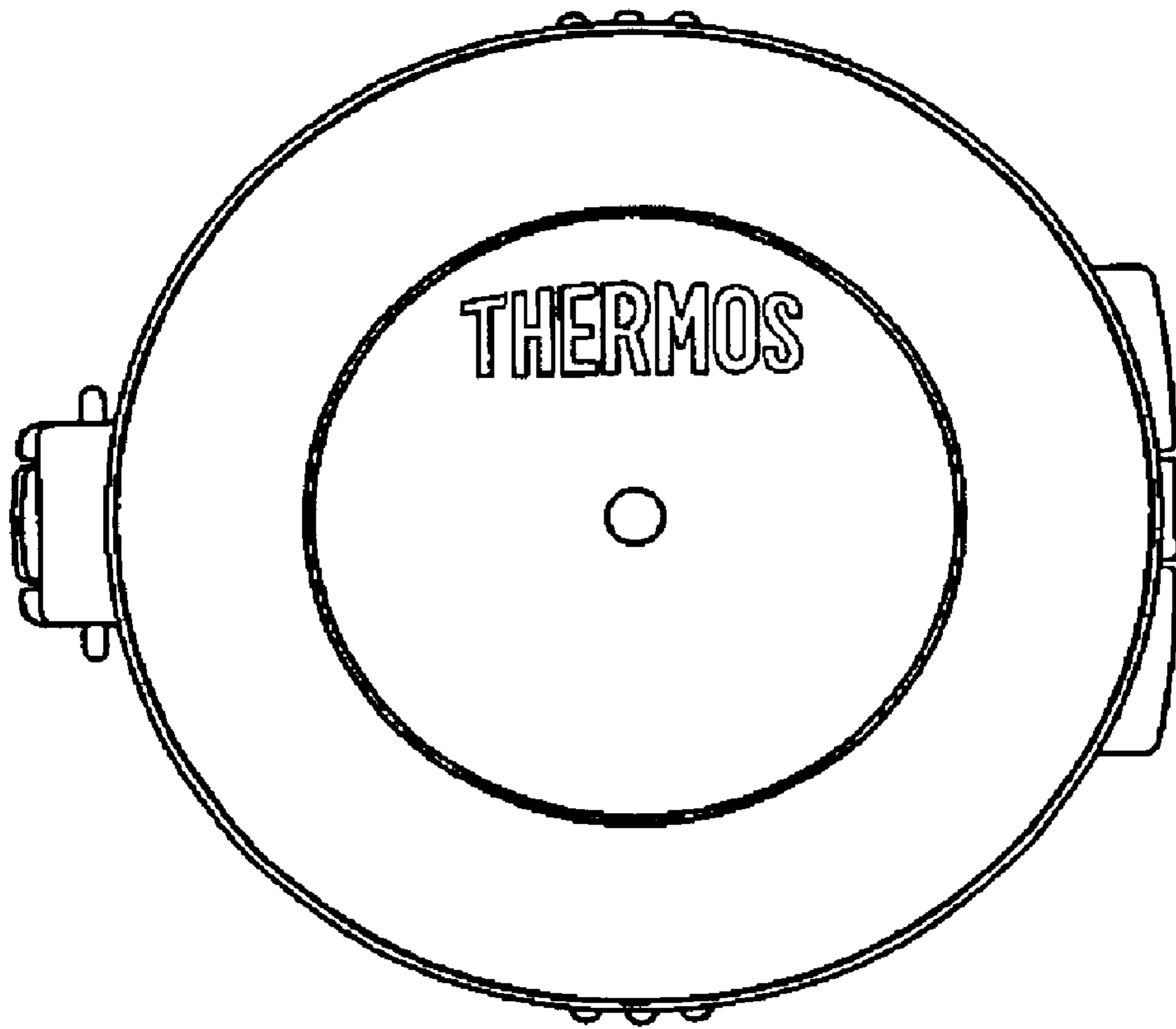


FIG. 5

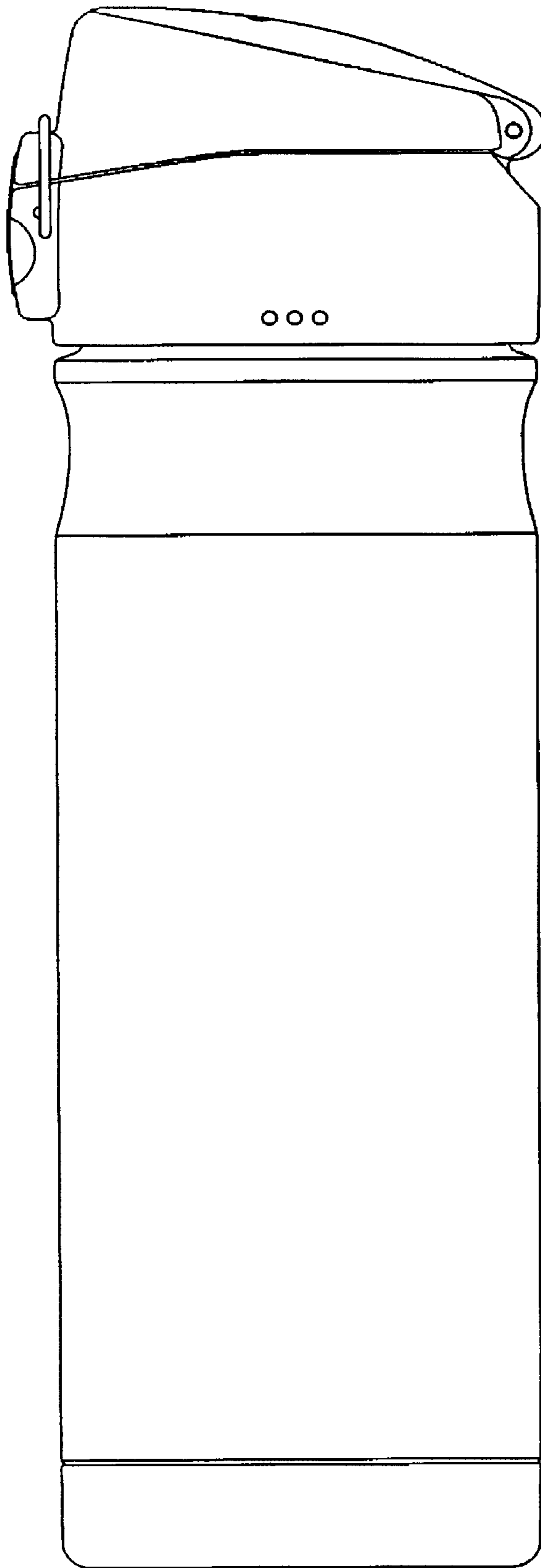


FIG. 6

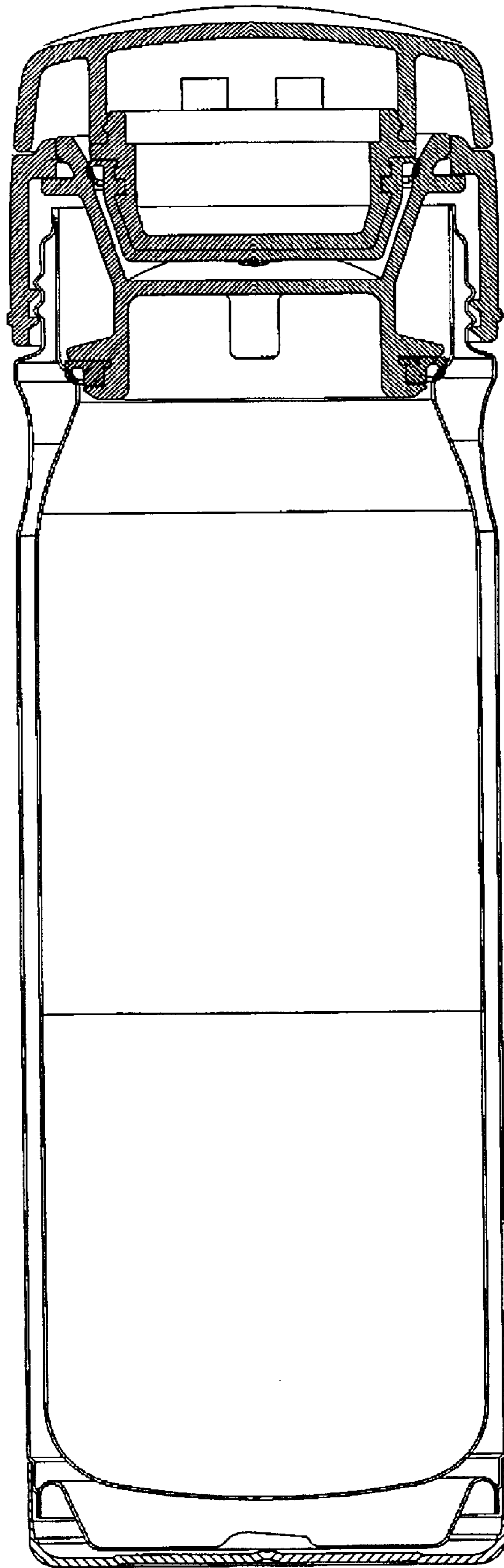


FIG. 7

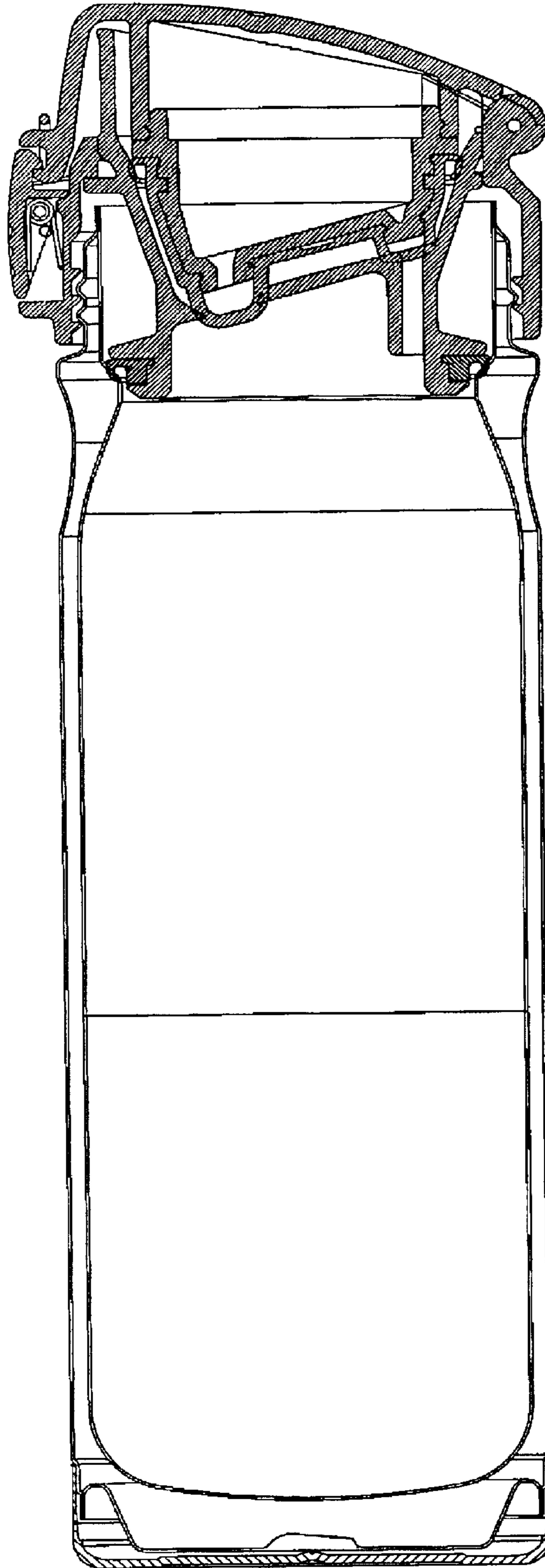


FIG. 8

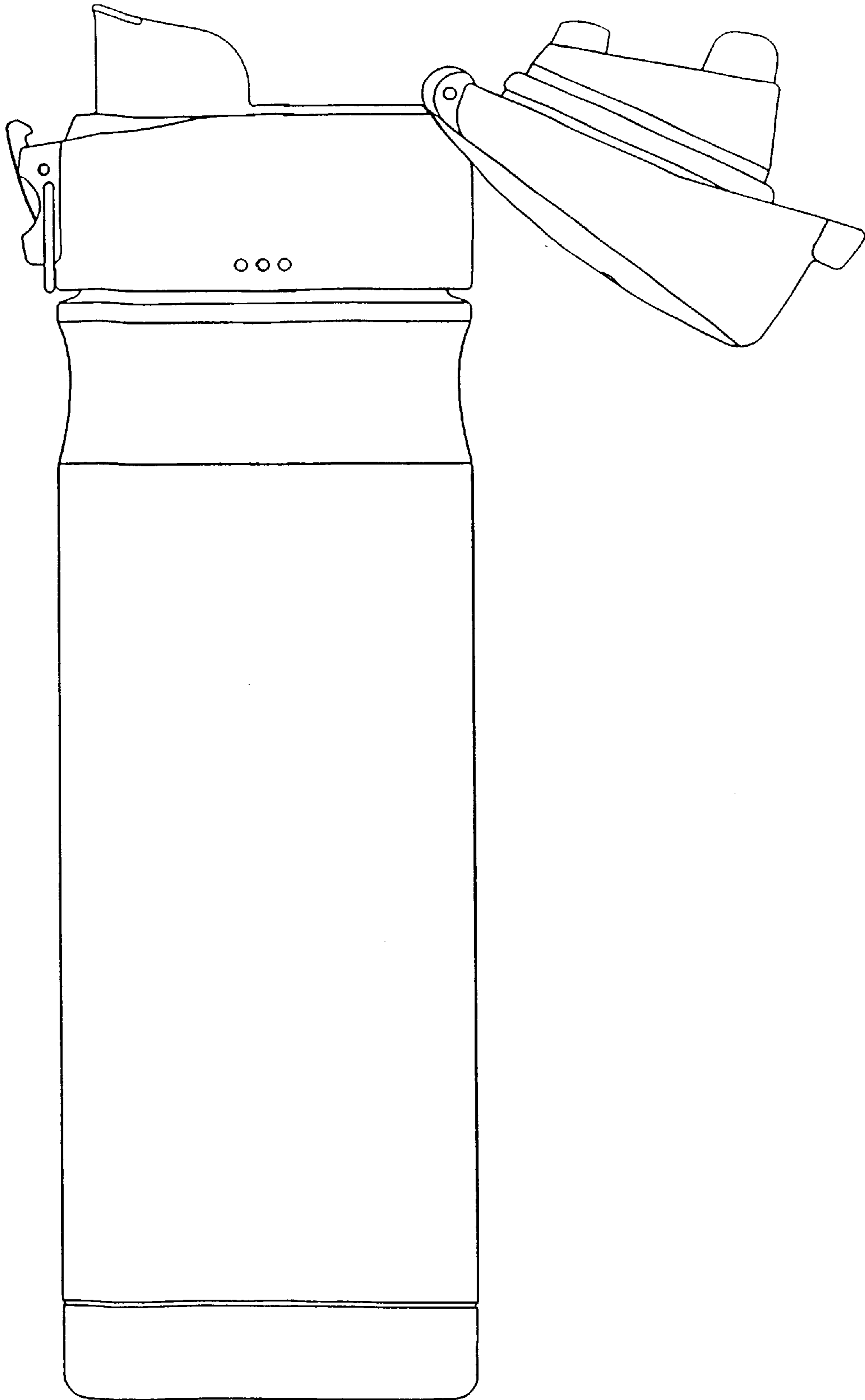


FIG. 9