



US00D485131S

(12) **United States Design Patent**
Lanman et al.

(10) **Patent No.: US D485,131 S**
(45) **Date of Patent: ** Jan. 13, 2004**

(54) **FRONT PANEL FOR A COOLER**

(75) Inventors: **John Lanman**, Naperville, IL (US);
Korie Trevino, Green Oaks, IL (US)

(73) Assignee: **Thermos L.L.C.**, Rolling Meadows, IL (US)

(**) Term: **14 Years**

(21) Appl. No.: **29/170,369**

(22) Filed: **Nov. 5, 2002**

(51) **LOC (7) Cl.** **07-01**

(52) **U.S. Cl.** **D7/607**

(58) **Field of Search** D7/605-608, 629,
D7/709; D3/273, 276, 283-287, 289; 190/110;
62/457.1, 457.7, 371, 372; 220/592.2, 592.24,
592.25, 915.1, 915.2; 383/97, 110, 113

(56) **References Cited**

U.S. PATENT DOCUMENTS

D340,840 S * 11/1993 Melk D7/607
D412,269 S * 7/1999 Wyant D7/709

* cited by examiner

Primary Examiner—Terry A. Wallace

(74) *Attorney, Agent, or Firm*—Wood, Phillips, Katz, Clark & Mortimer

(57) **CLAIM**

The ornamental design for a front panel for a cooler, as shown and described.

DESCRIPTION

FIG. 1 is a perspective view taken from the upper left corner of our front panel design for a cooler of small capacity;

FIG. 2 is a perspective view taken from the lower right of our front panel design as embodied in a cooler of small capacity;

FIG. 3 is a front elevation of our front panel design embodied in a cooler of small capacity;

FIG. 4 is a right side elevation taken from the right of our front panel design embodied in a cooler of small capacity;

FIG. 5 is an elevational taken from the left of our front panel for a cooler design embodied in a cooler of small capacity;

FIG. 6 is a plan of our front panel design embodied in a cooler of a medium small capacity;

FIG. 7 is a bottom view of our front panel design embodied in a cooler of small capacity;

FIG. 8 is a perspective view taken from the upper left corner of our front panel design for a cooler of a medium small capacity;

FIG. 9 is a perspective view taken from the lower right of our front panel design as embodied in a cooler of a medium small capacity;

FIG. 10 is a front elevation of our front panel design embodied in a cooler of a medium small capacity;

FIG. 11 is a right side elevation taken from the right of our front panel design embodied in a cooler of medium small capacity;

FIG. 12 is an elevational taken from the left of our front panel for a cooler design embodied in a cooler of medium small capacity;

FIG. 13 is a plan view of our front panel design embodied in a cooler of a medium small capacity;

FIG. 14 is a bottom view of our front panel design embodied in a cooler of a medium small capacity;

FIG. 15 is a perspective view taken from the upper left corner of our front panel design for a cooler of medium large capacity;

FIG. 16 is a perspective view taken from the lower right of our front panel design as embodied in a cooler of medium large capacity;

FIG. 17 is a front elevation of our front panel design embodied in a cooler of medium large capacity;

FIG. 18 is a right side elevation taken from the right of our front panel design embodied in a cooler of medium large capacity;

FIG. 19 is an elevational taken from the left of our front panel for a cooler design embodied in a cooler of medium large capacity;

FIG. 20 is a plan view of our front panel design embodied in a cooler of medium large capacity;

FIG. 21 is a bottom view of our front panel design embodied in a cooler of medium large capacity;

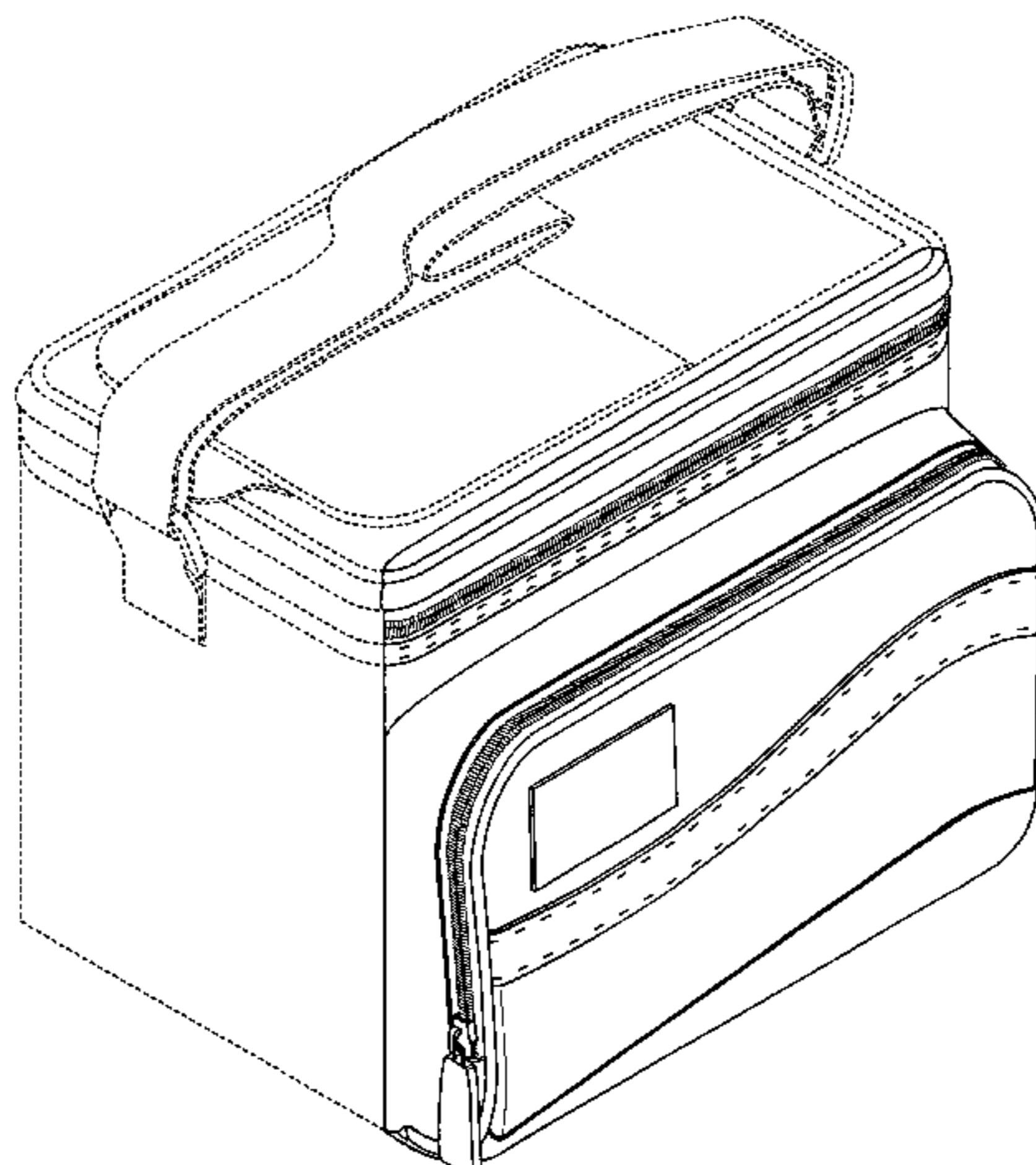


FIG. **22** is a perspective view taken from the upper left corner of our front panel design for a cooler of large capacity;

FIG. **23** is a perspective view taken from the lower right of our front panel design as embodied in a cooler of large capacity;

FIG. **24** is a front elevation of our front panel design embodied in a cooler of large capacity;

FIG. **25** is a right side elevation taken from the right of our front panel design embodied in a cooler of large capacity;

FIG. **26** is an elevational taken from the left of our front panel for a cooler design embodied in a cooler of large capacity;

FIG. **27** is a plan view of our front panel design embodied in a cooler of large capacity; and,

FIG. **28** is a bottom view of our front panel design embodied in a cooler of large capacity.

The broken lines are for illustrative purposes only and form no part of the claimed design.

1 Claim, 20 Drawing Sheets

Fig. 1

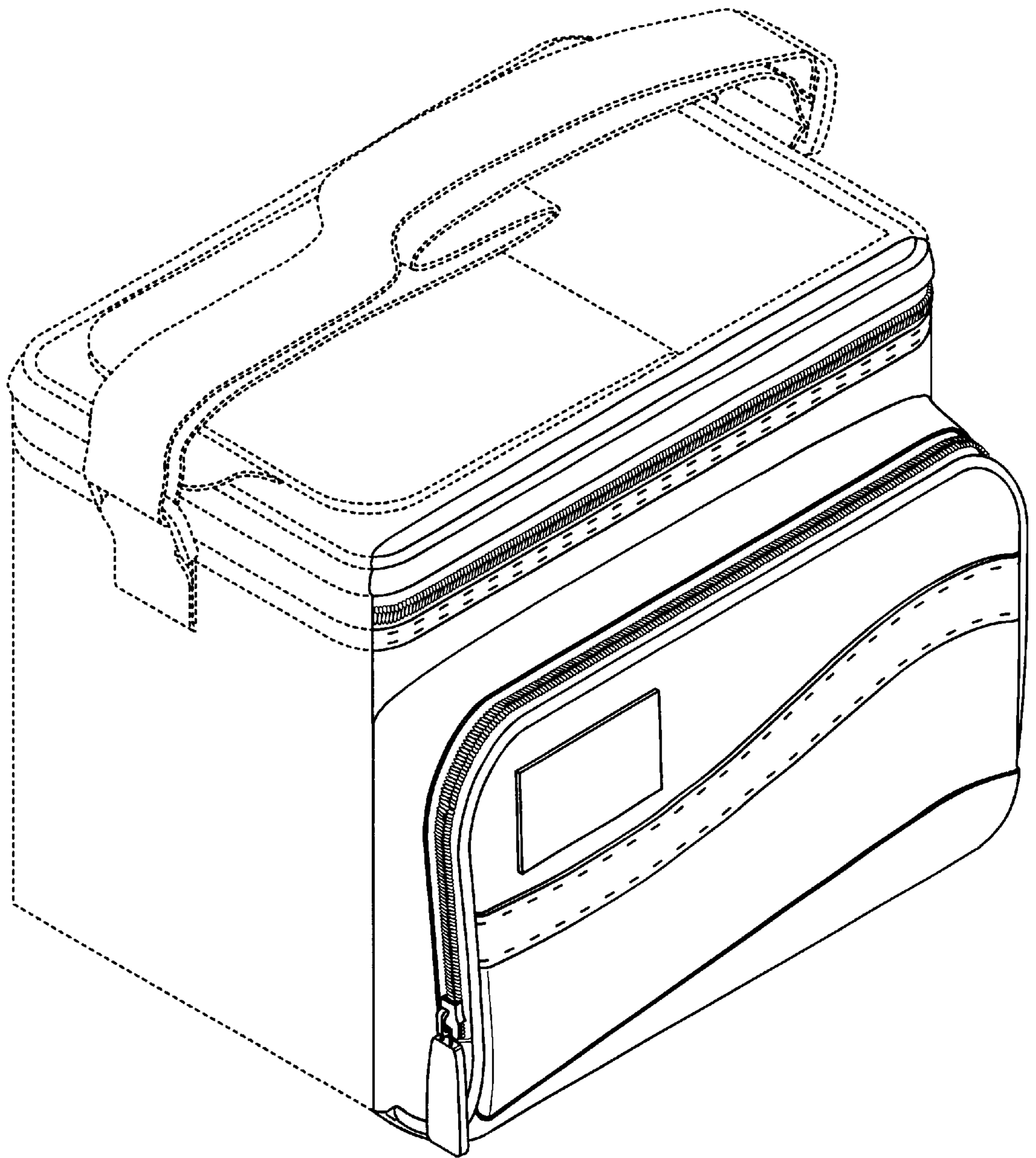


Fig. 2

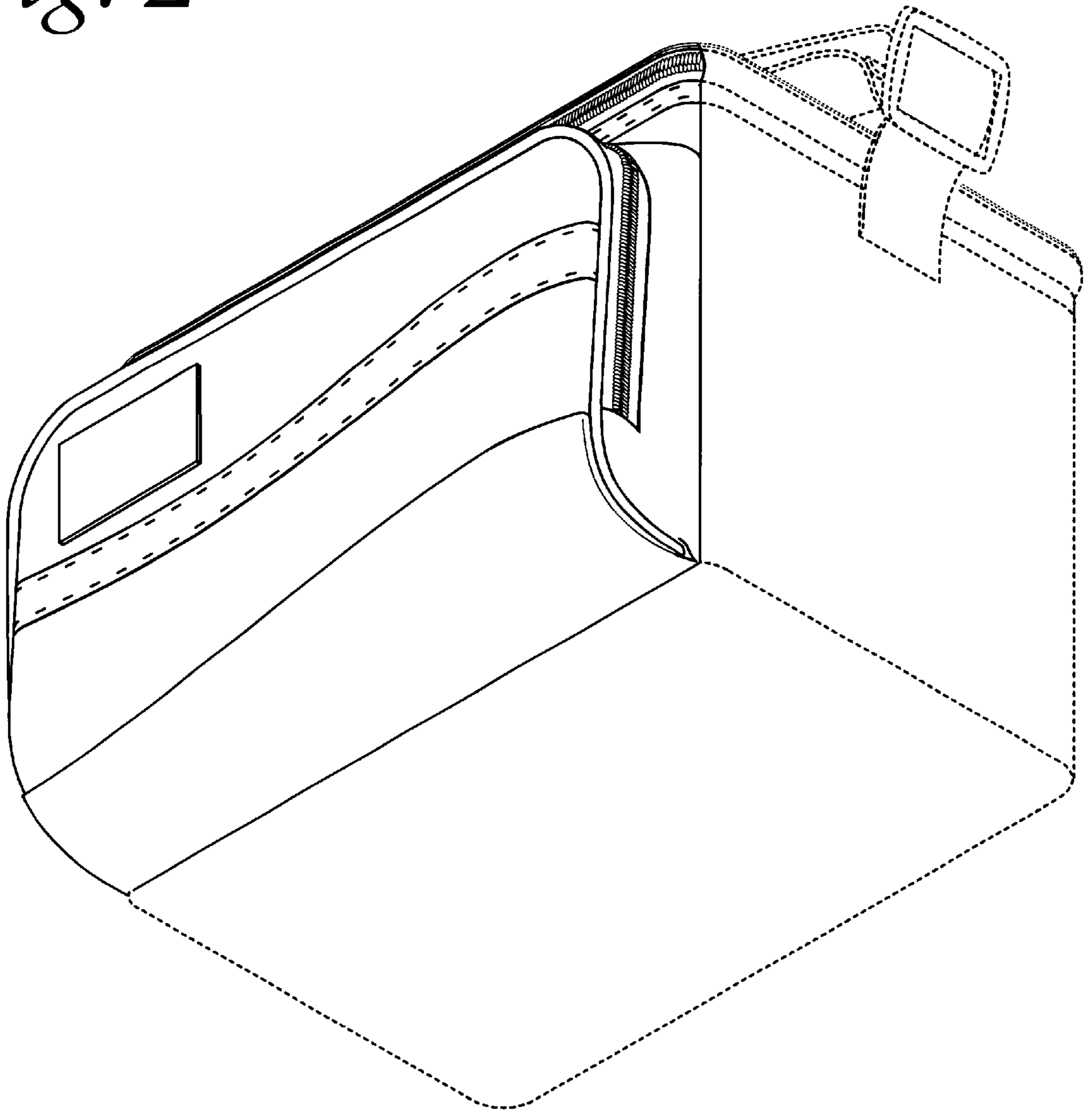


Fig. 3

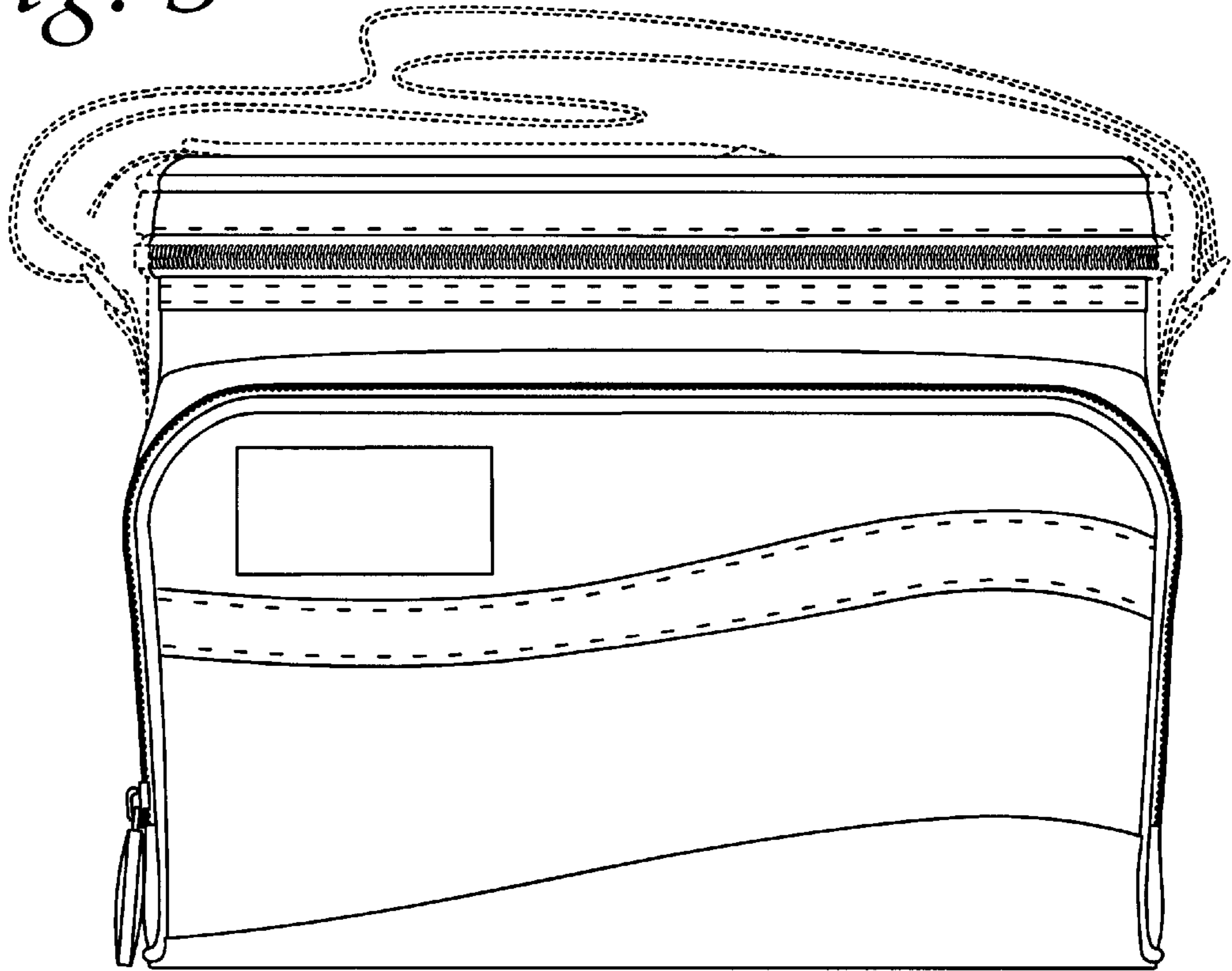


Fig. 4

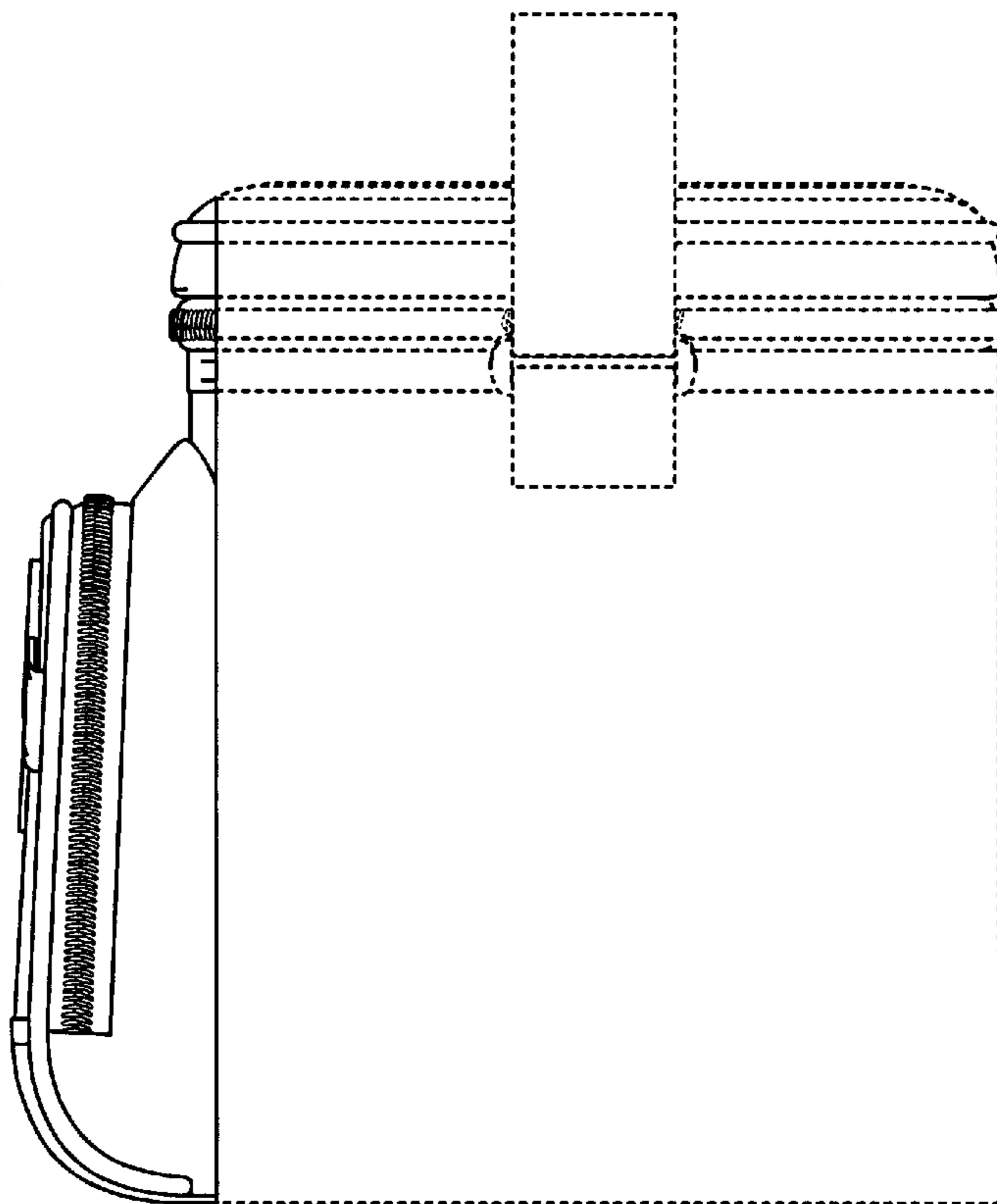


Fig. 5

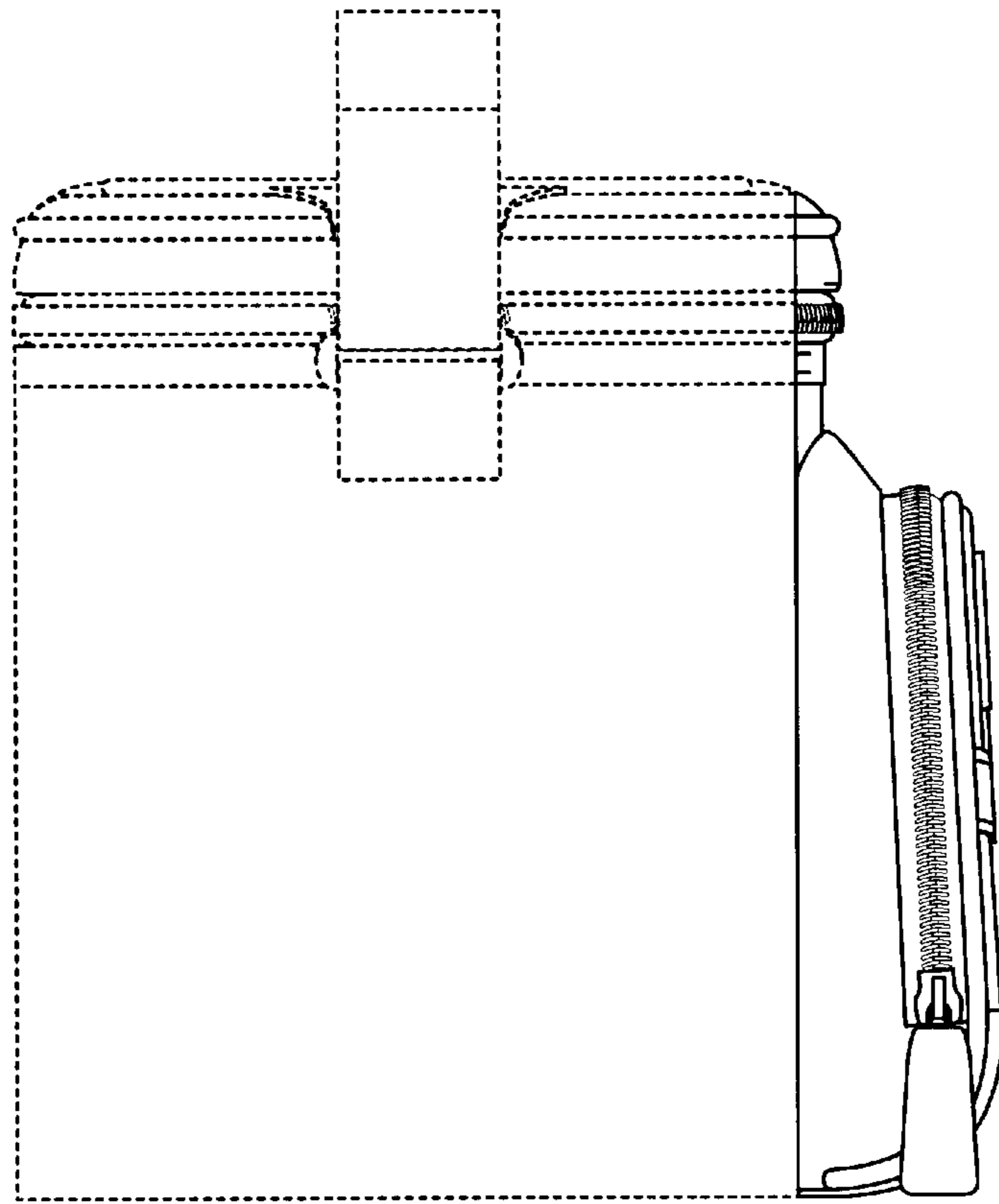


Fig. 6

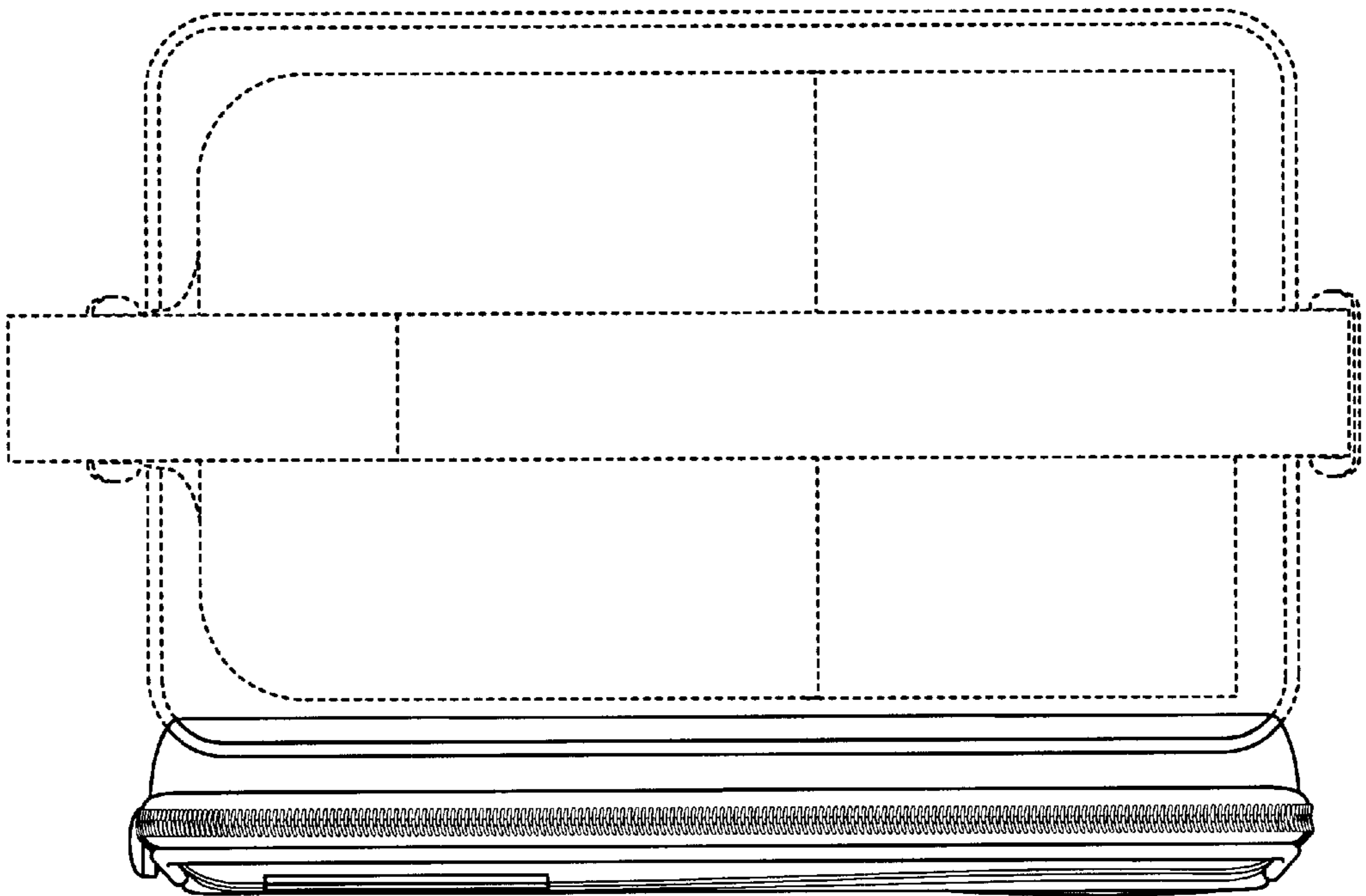


Fig. 7

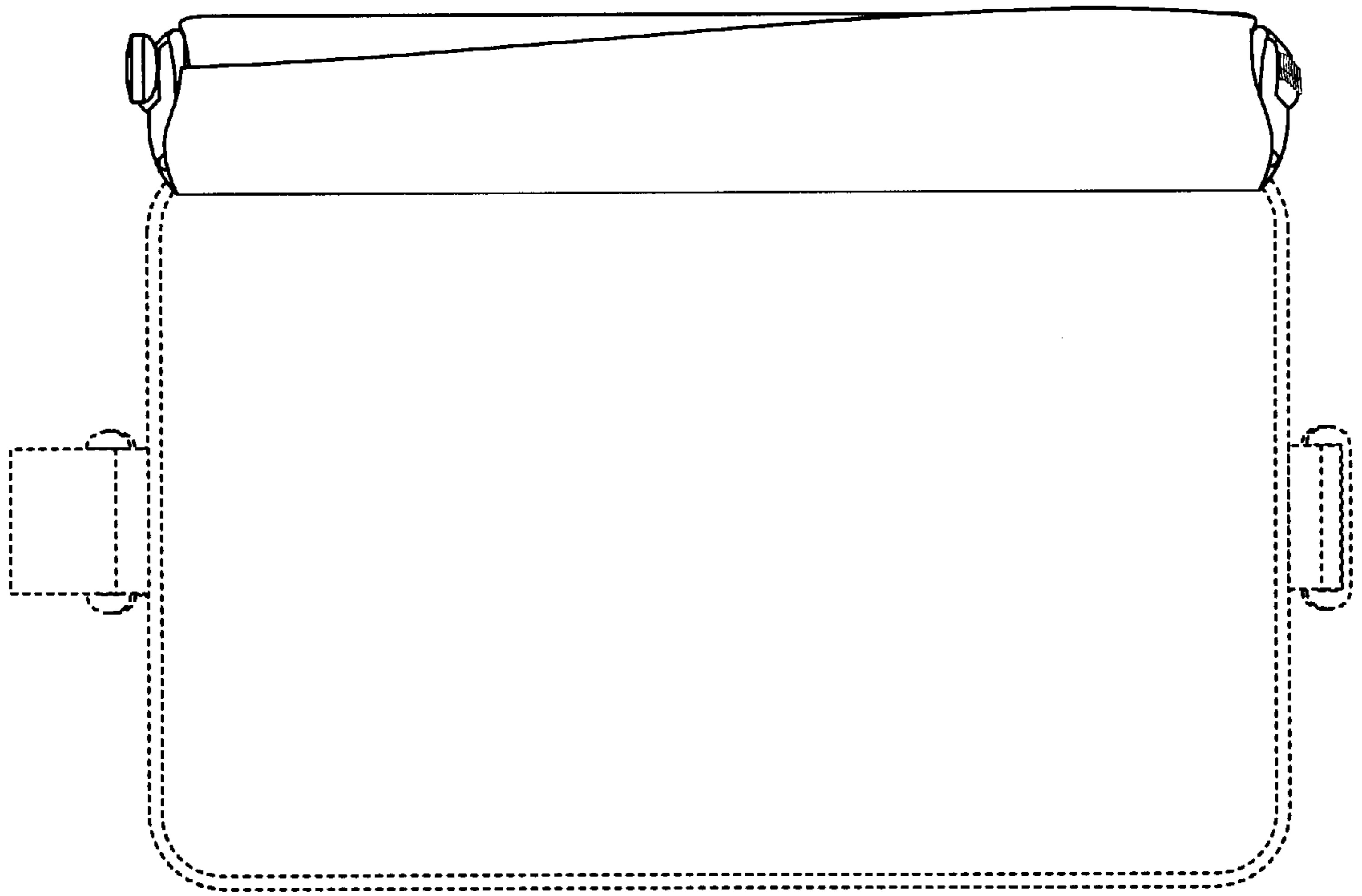


Fig. 8

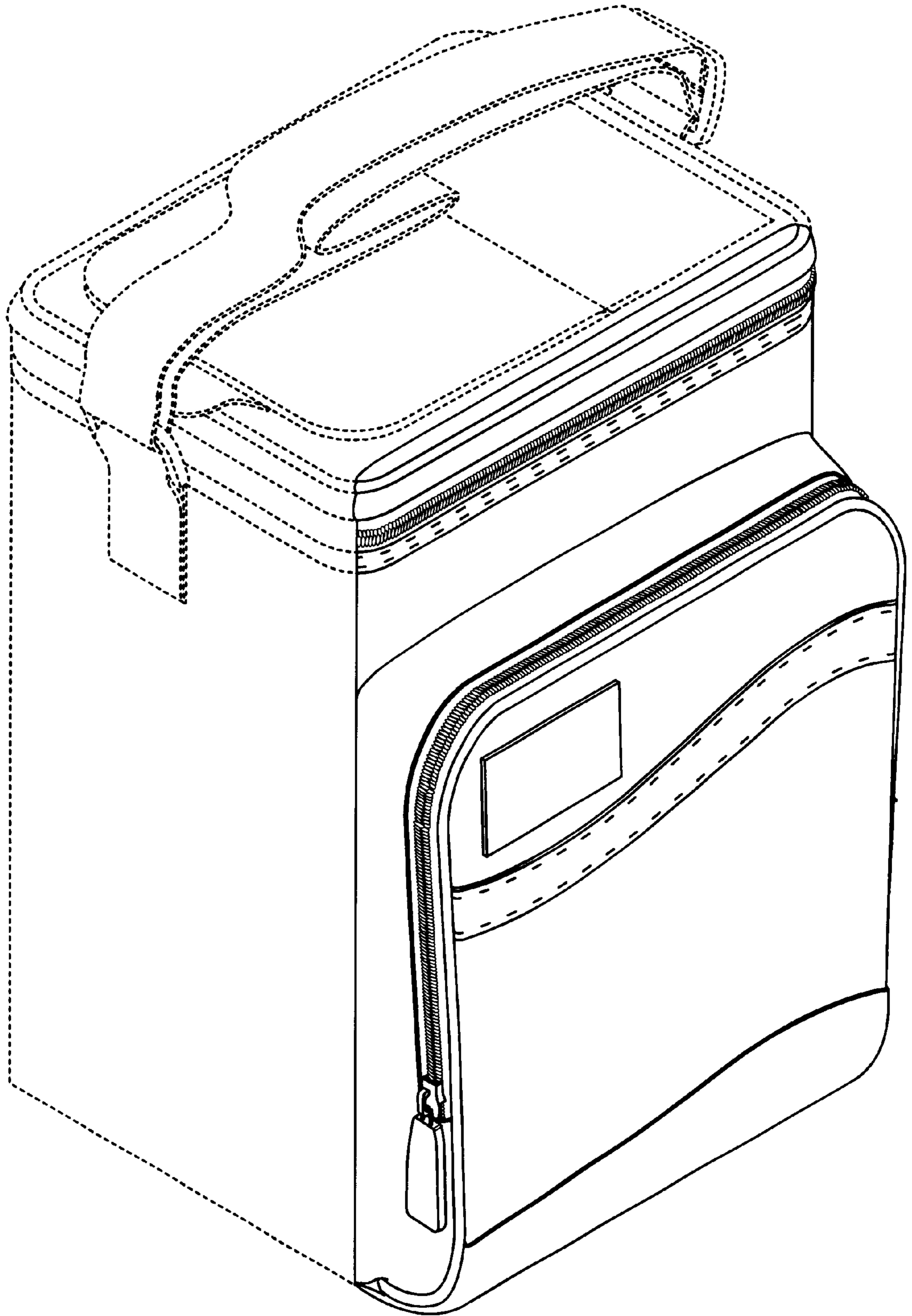
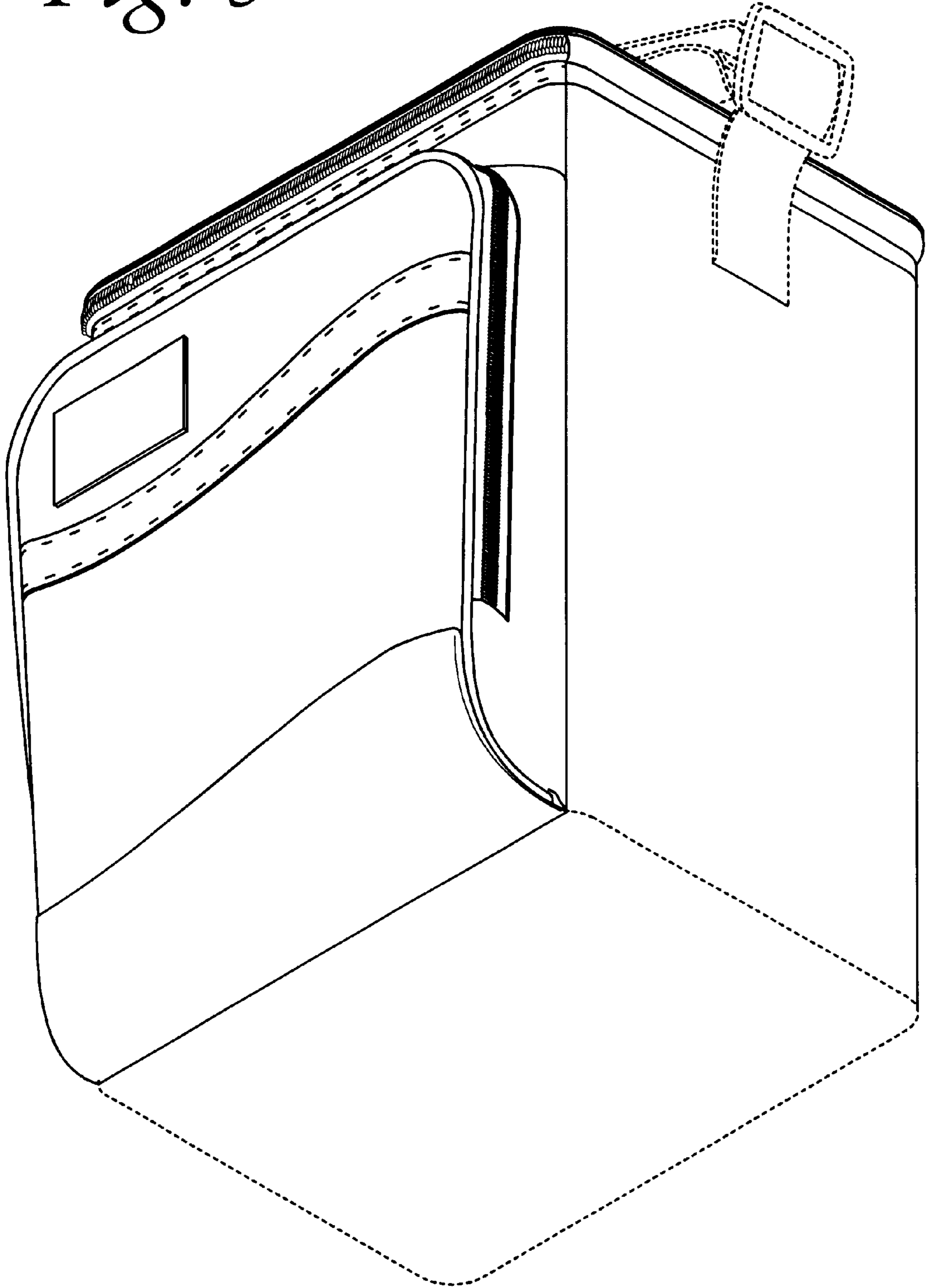


Fig. 9



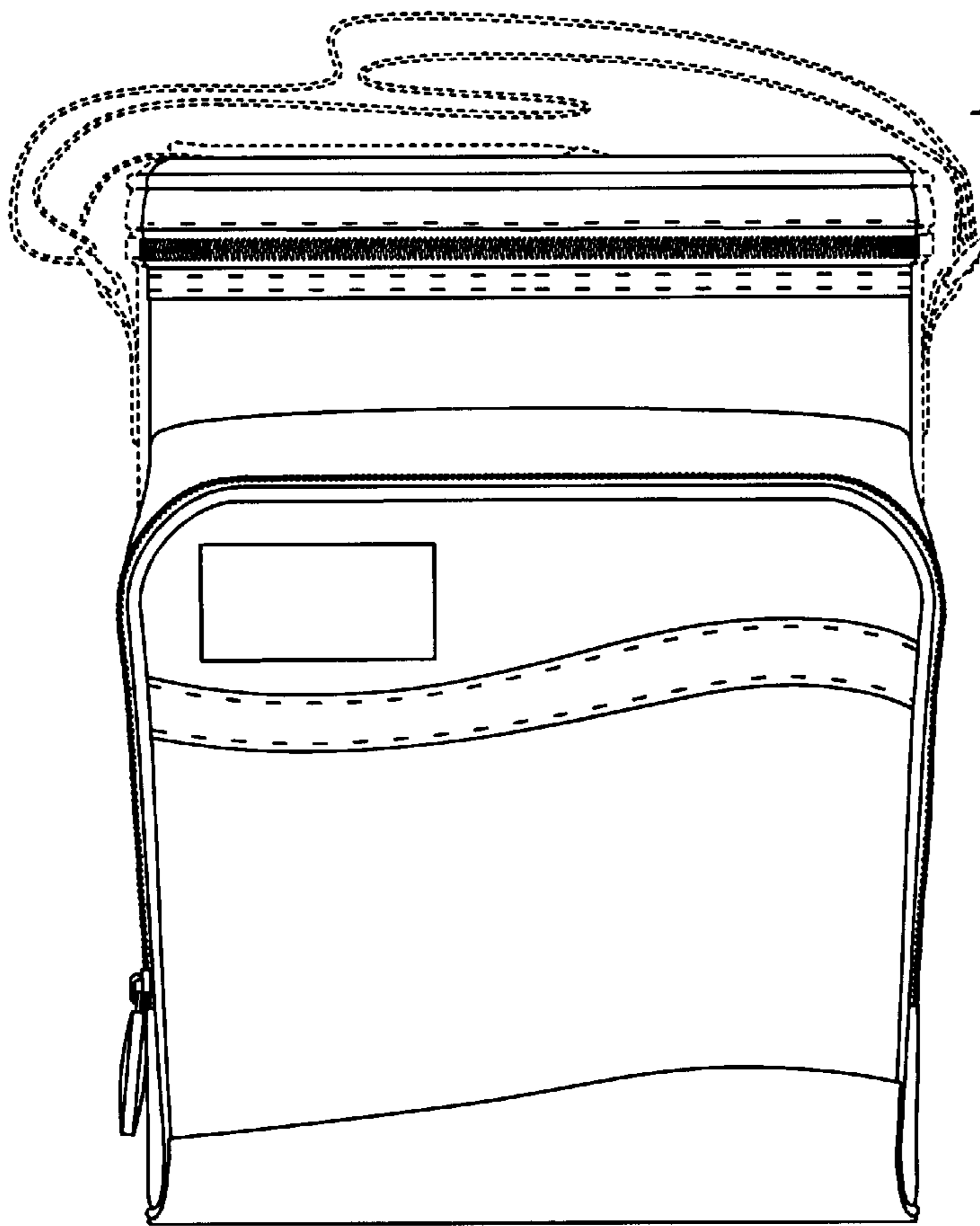
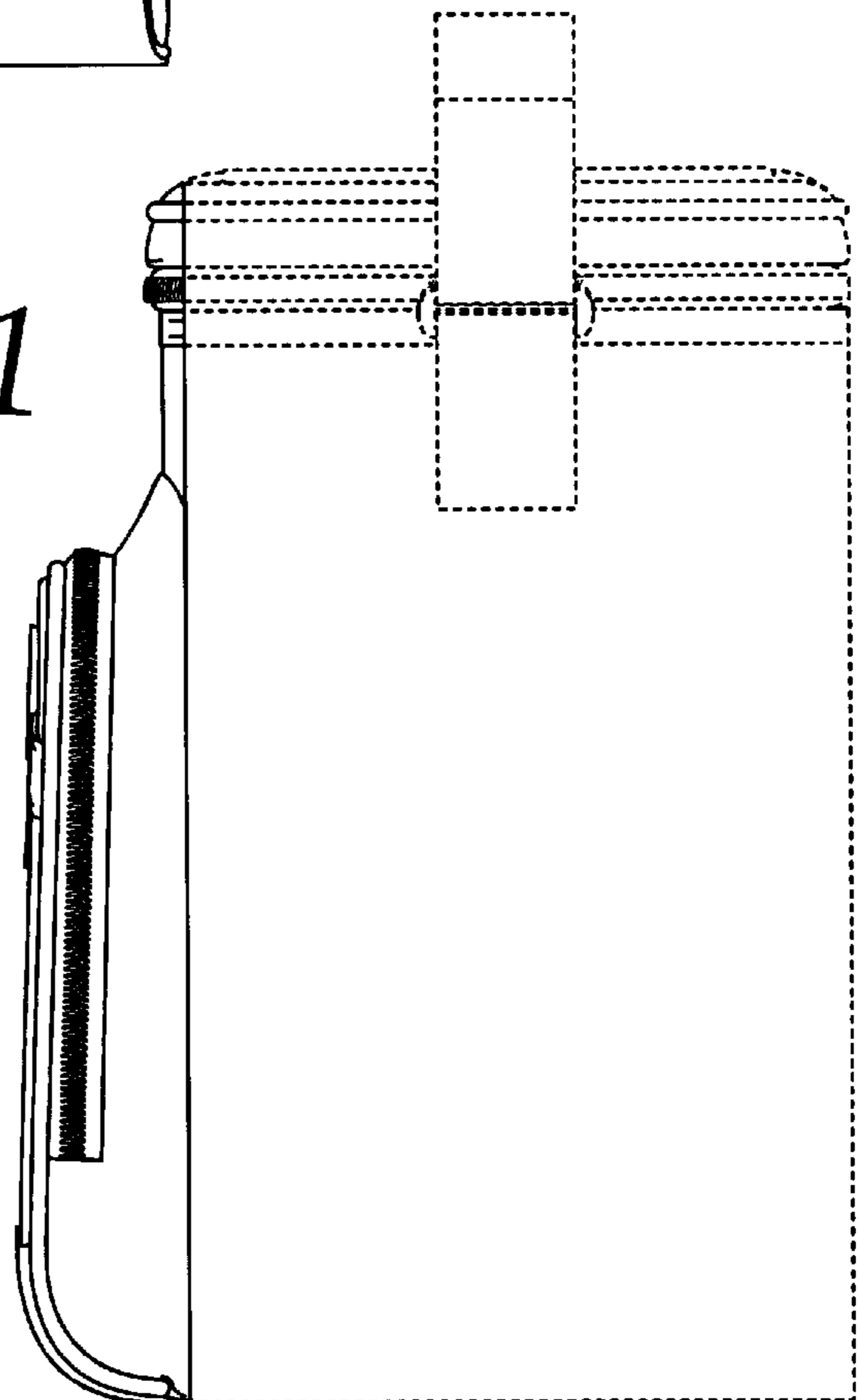


Fig. 10

Fig. 11



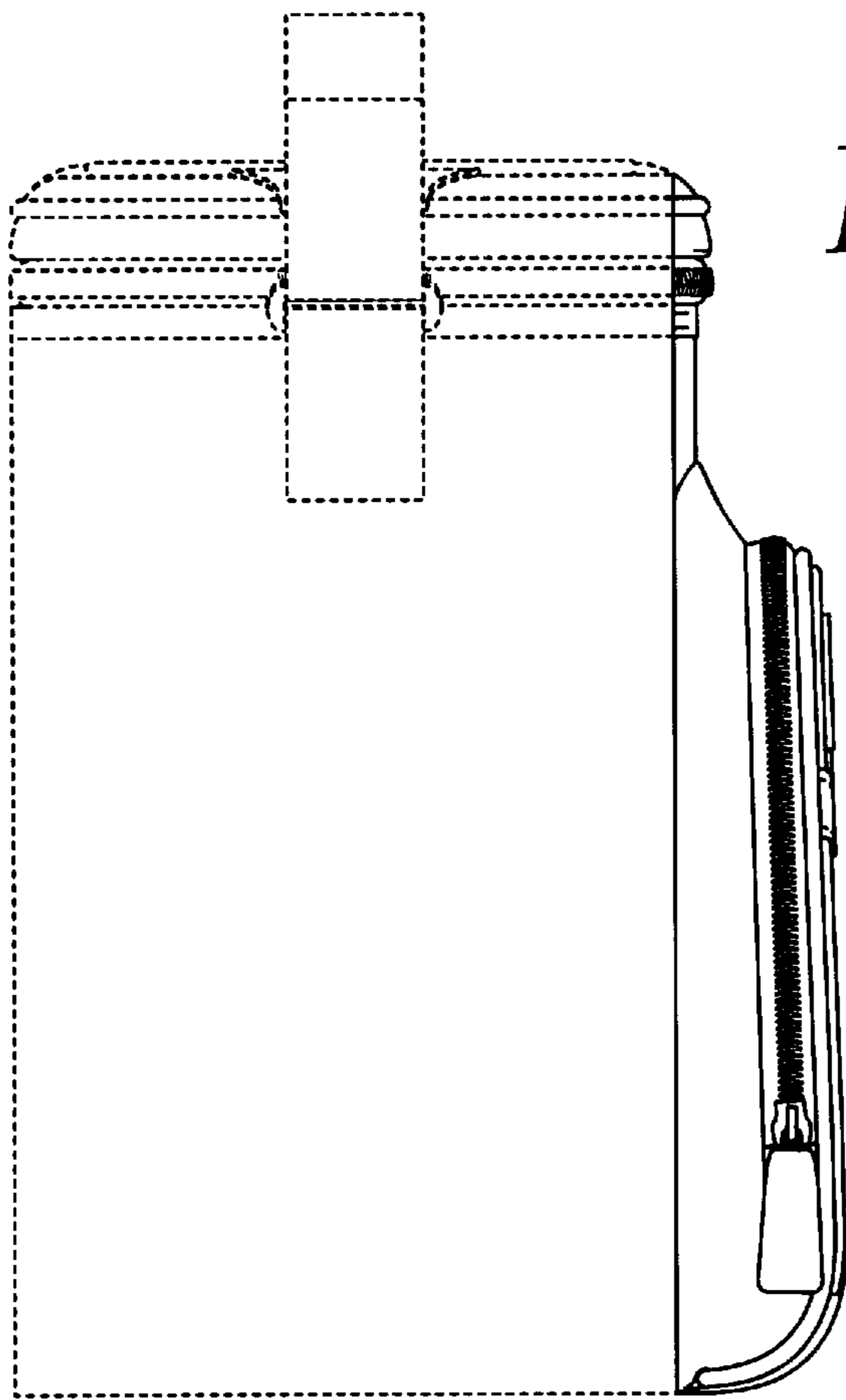


Fig. 12

Fig. 13

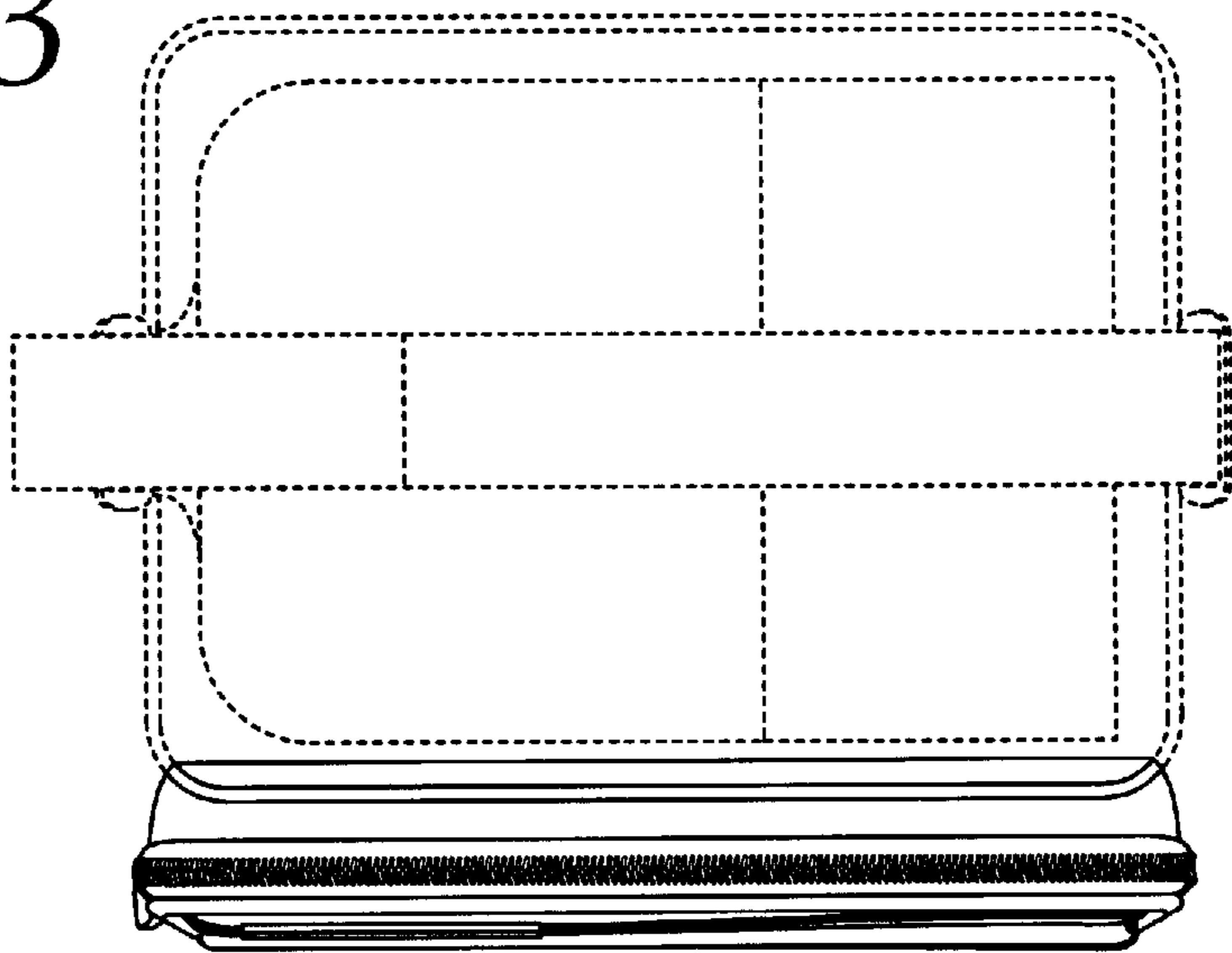


Fig. 14

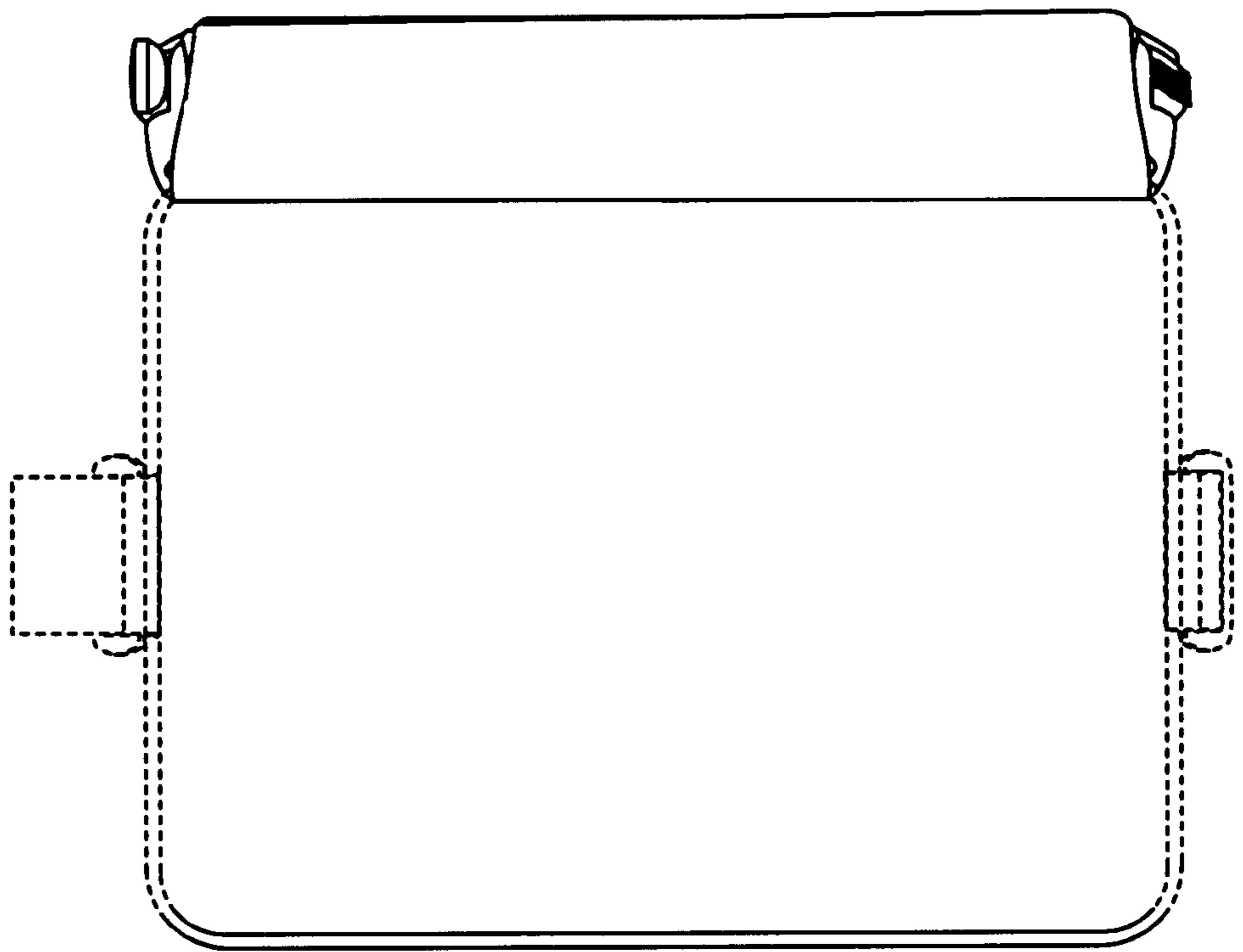


Fig. 15

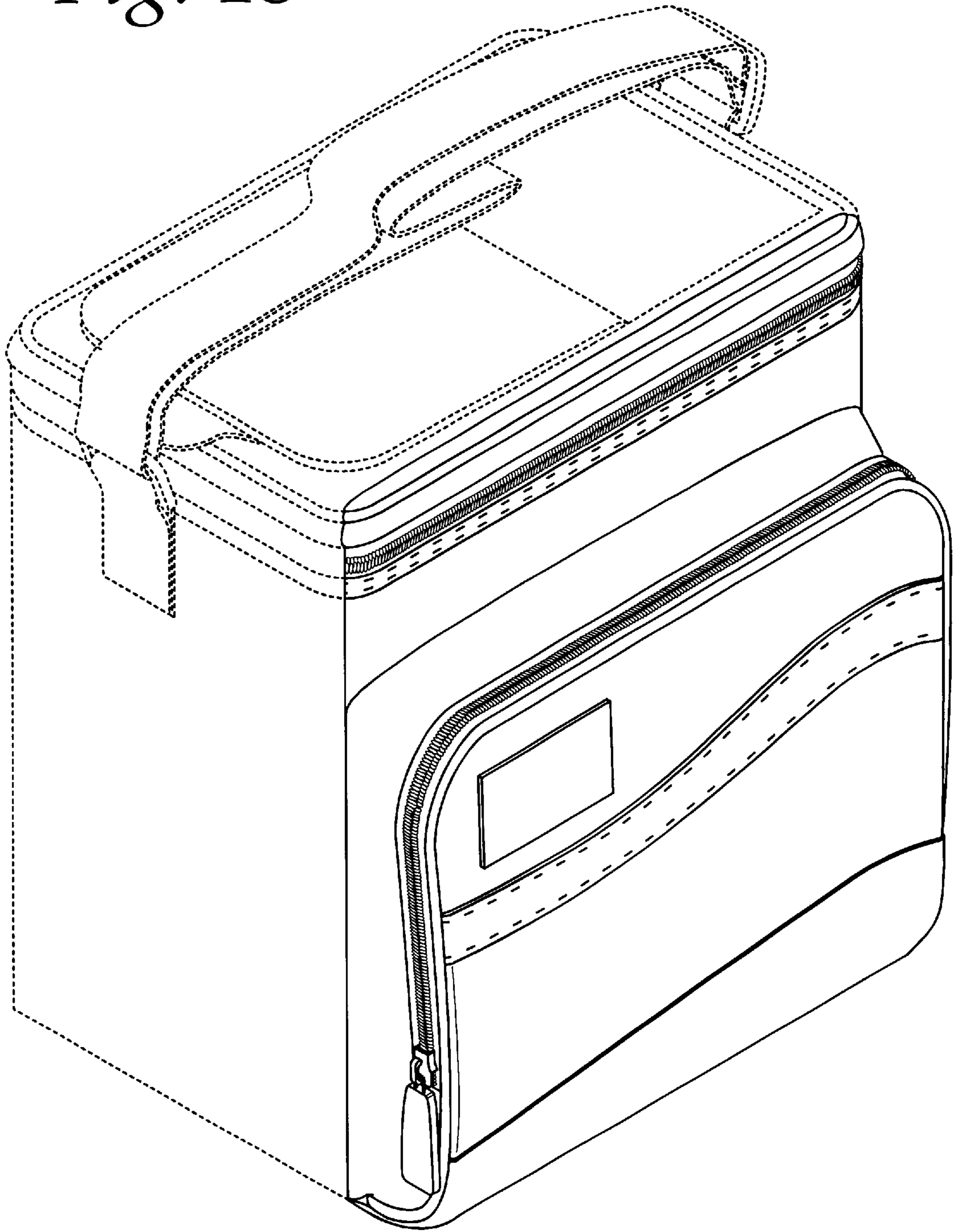


Fig. 16

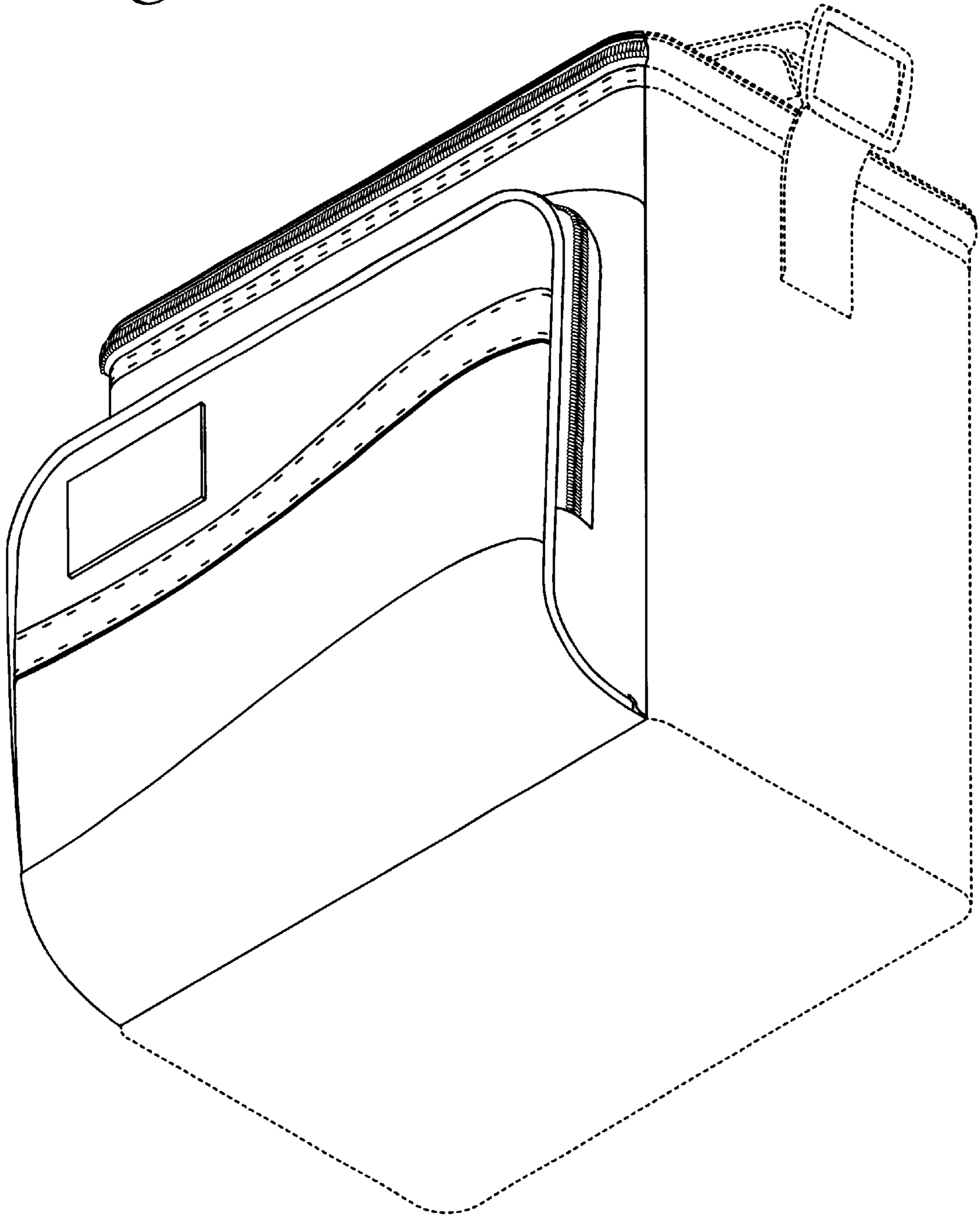


Fig. 17

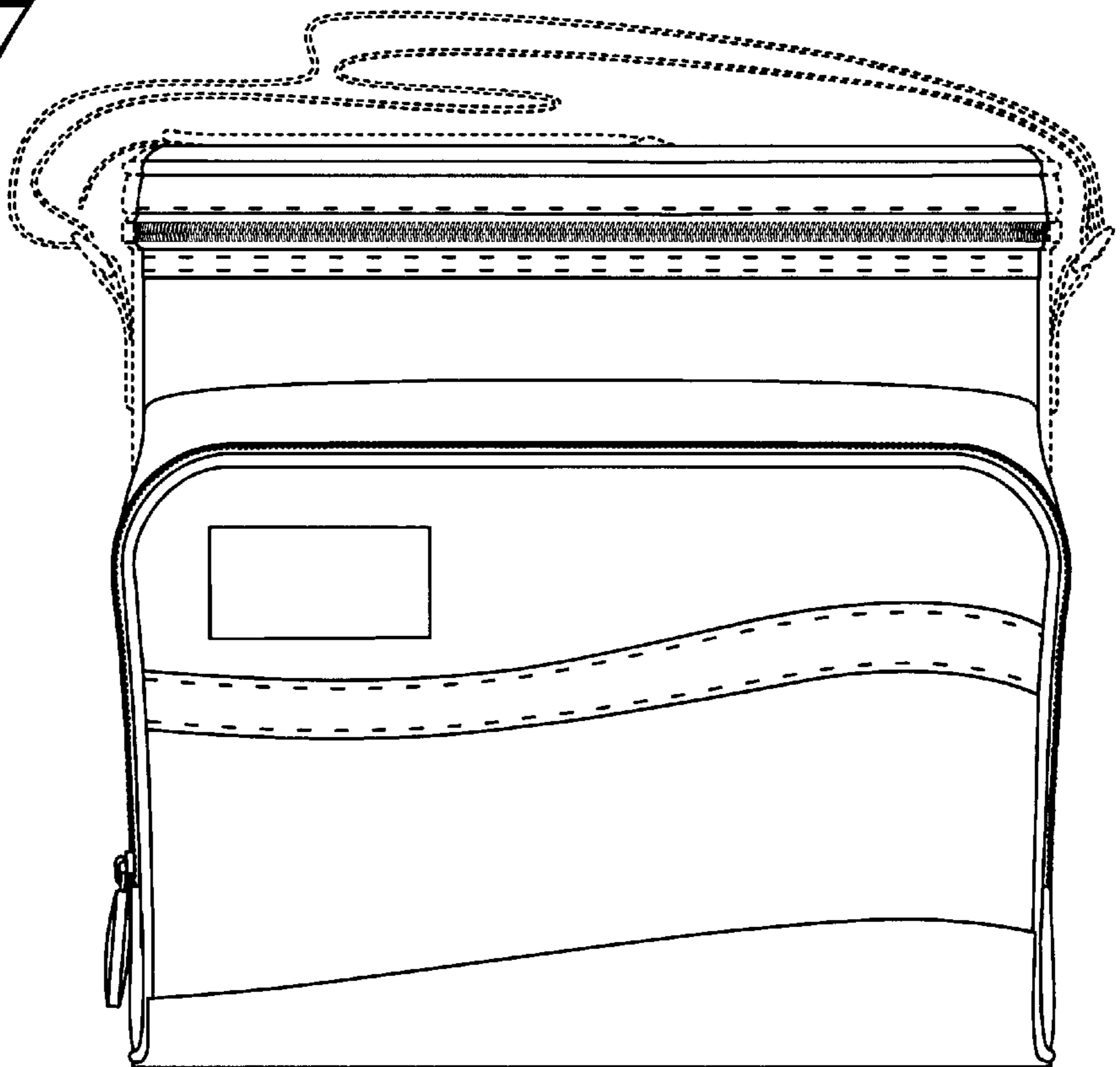


Fig. 18

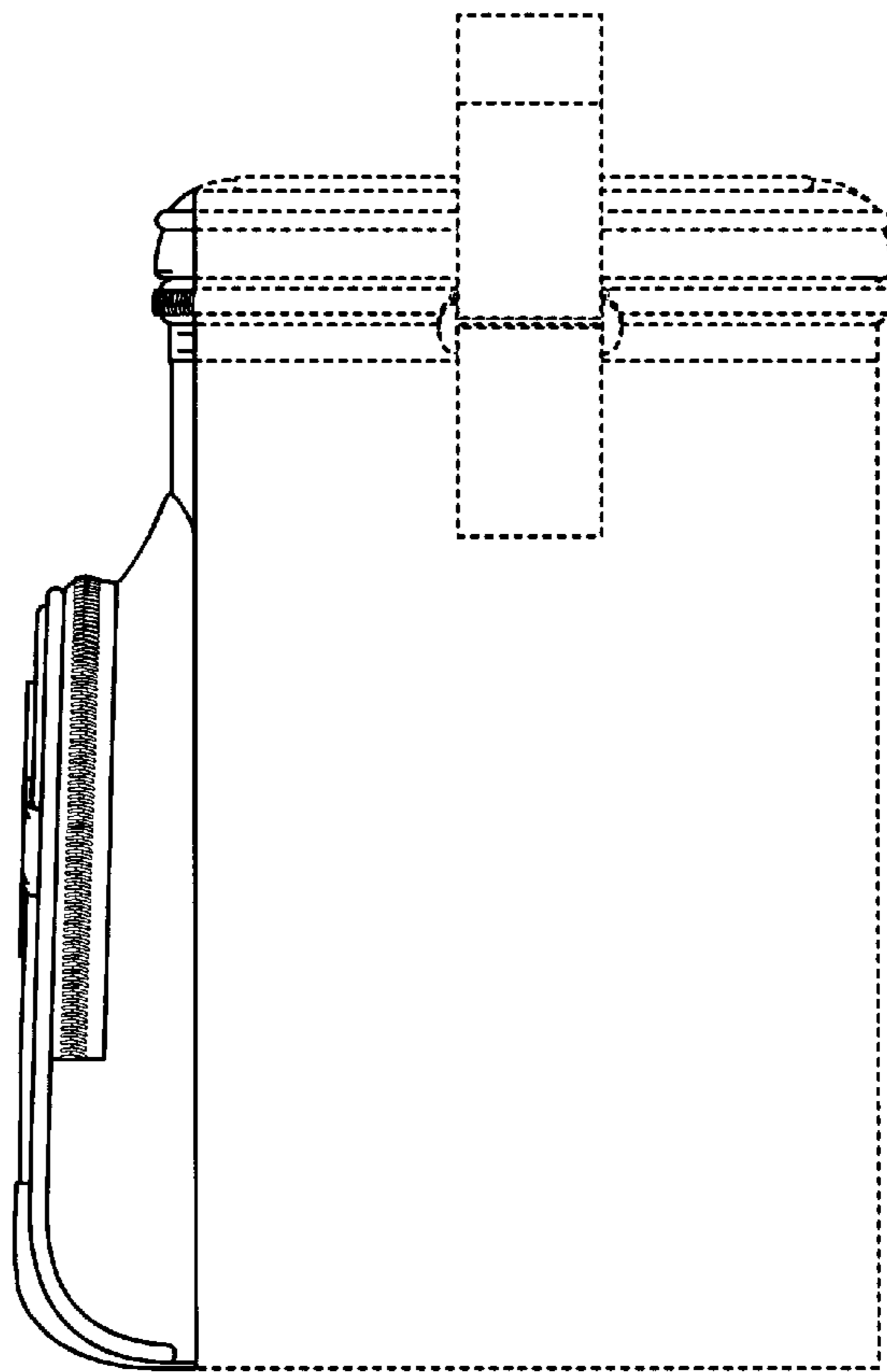


Fig. 19

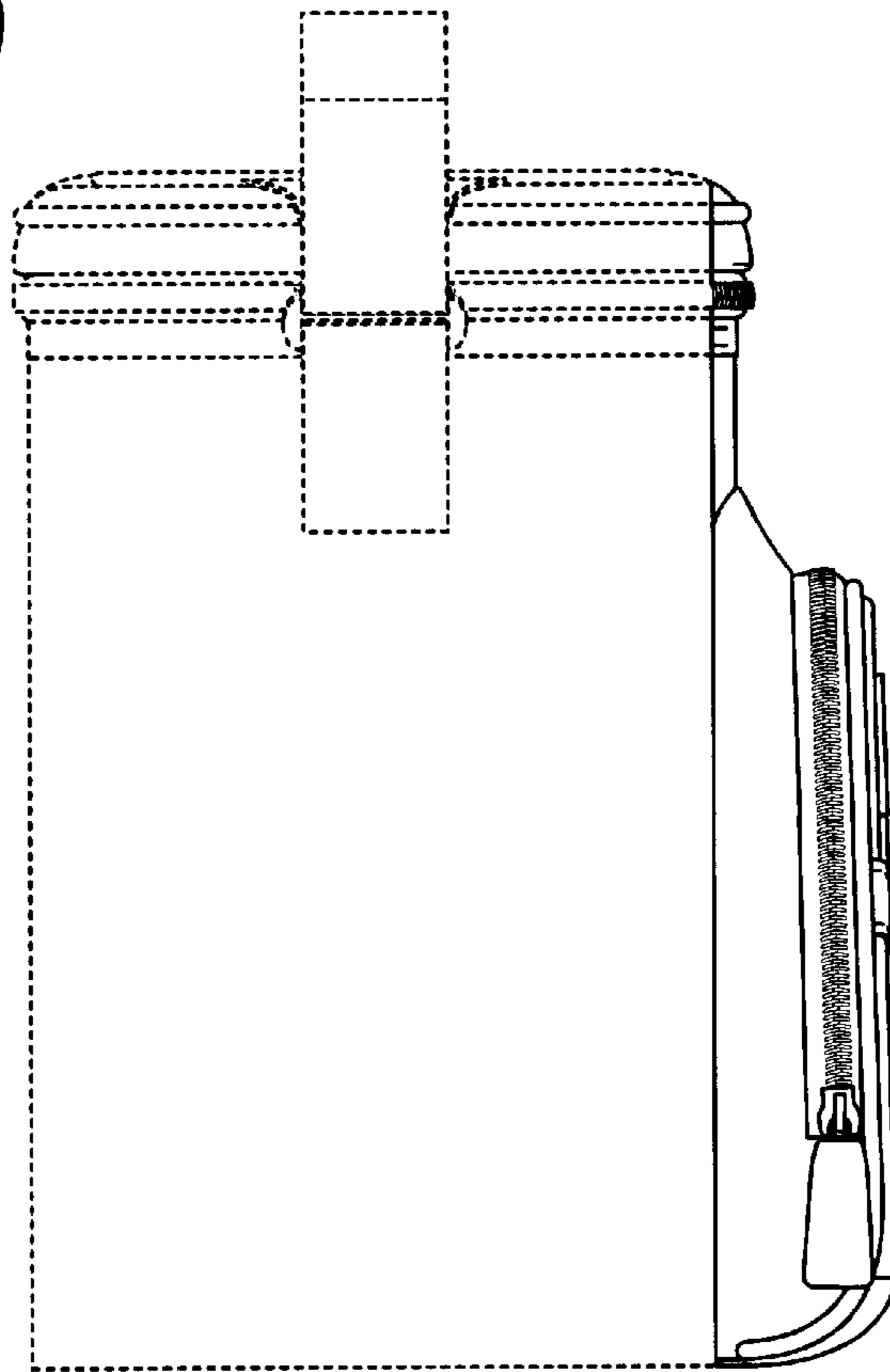


Fig. 20

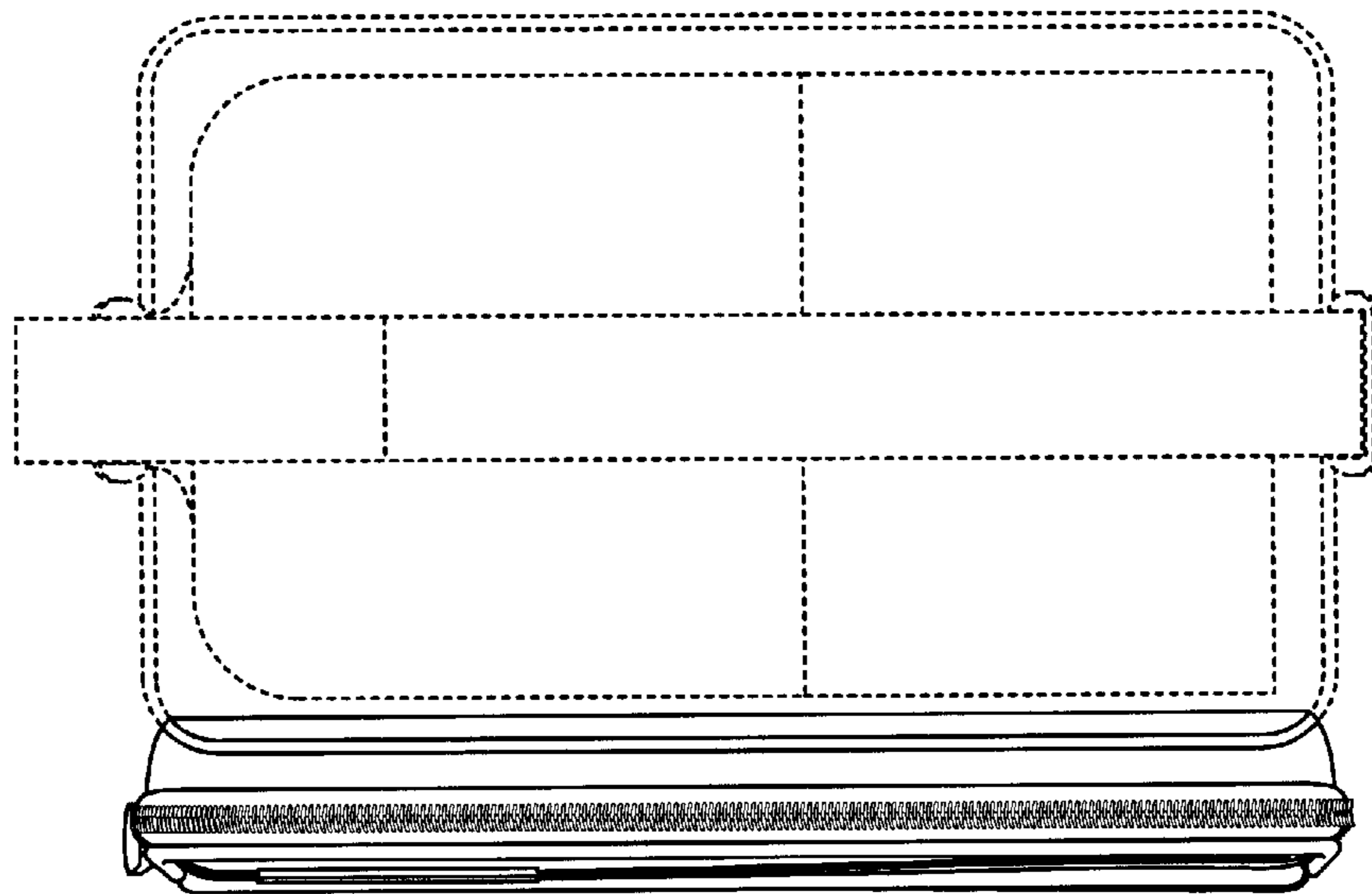


Fig. 21

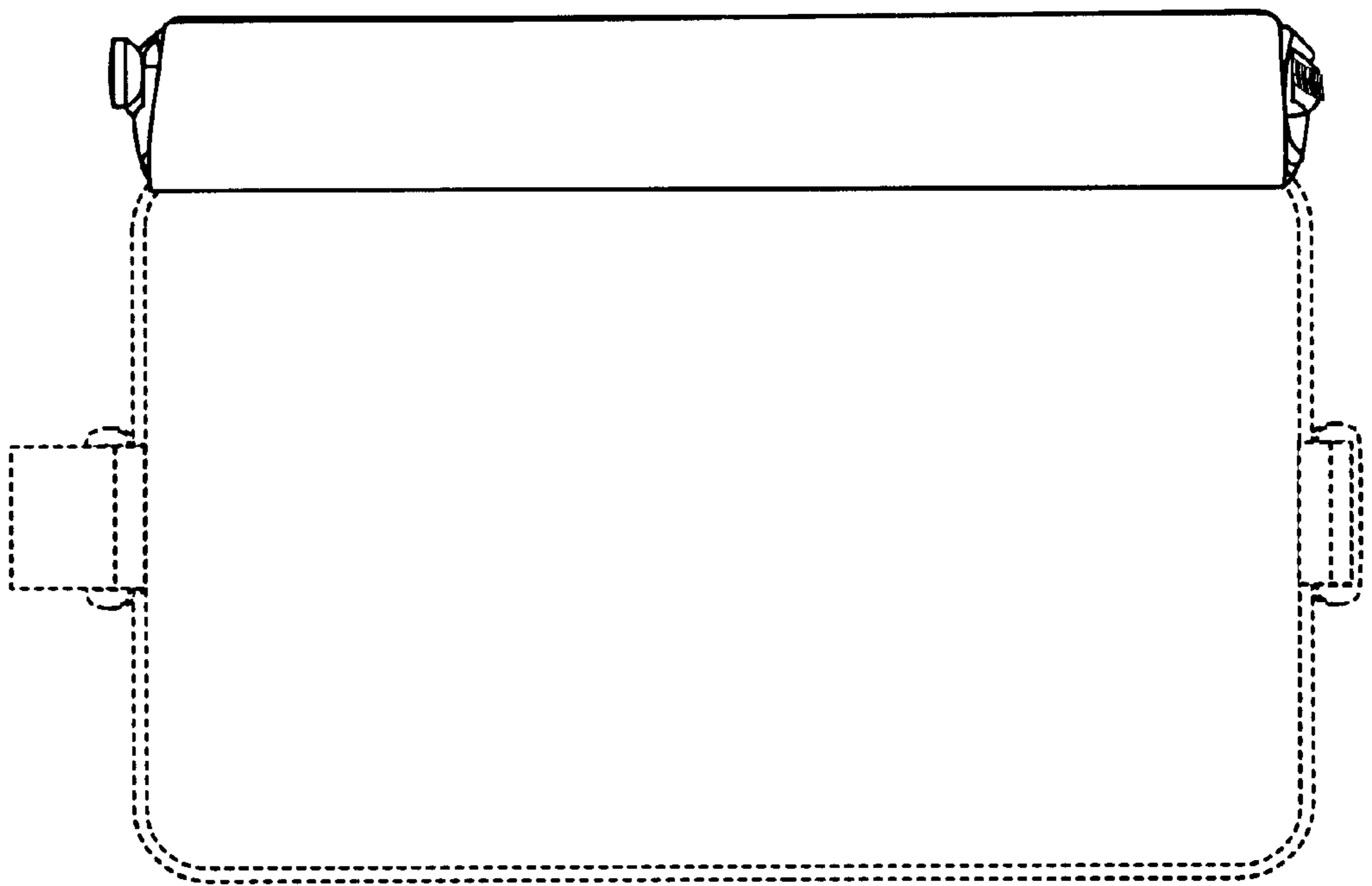


Fig. 22

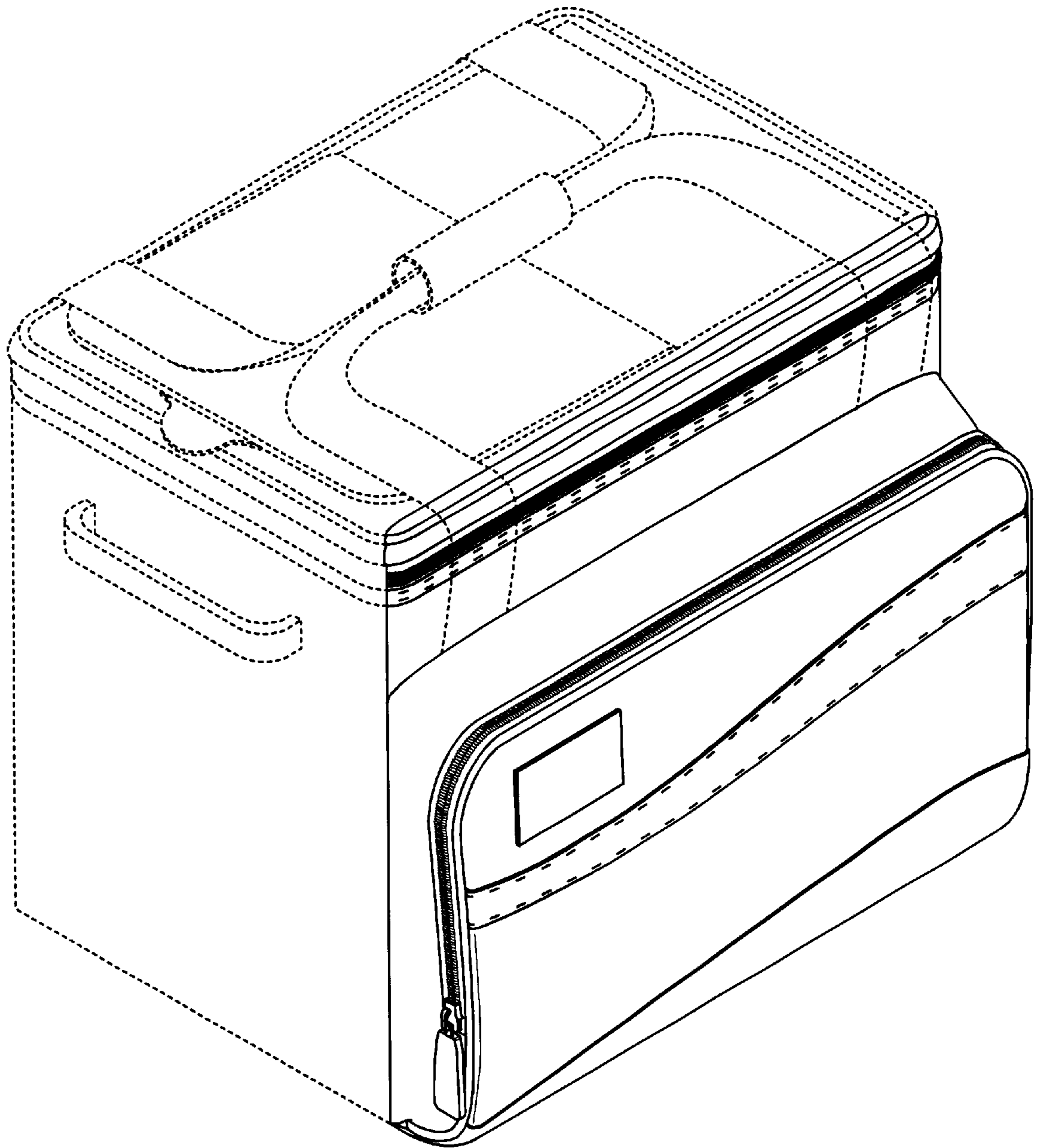


Fig. 23

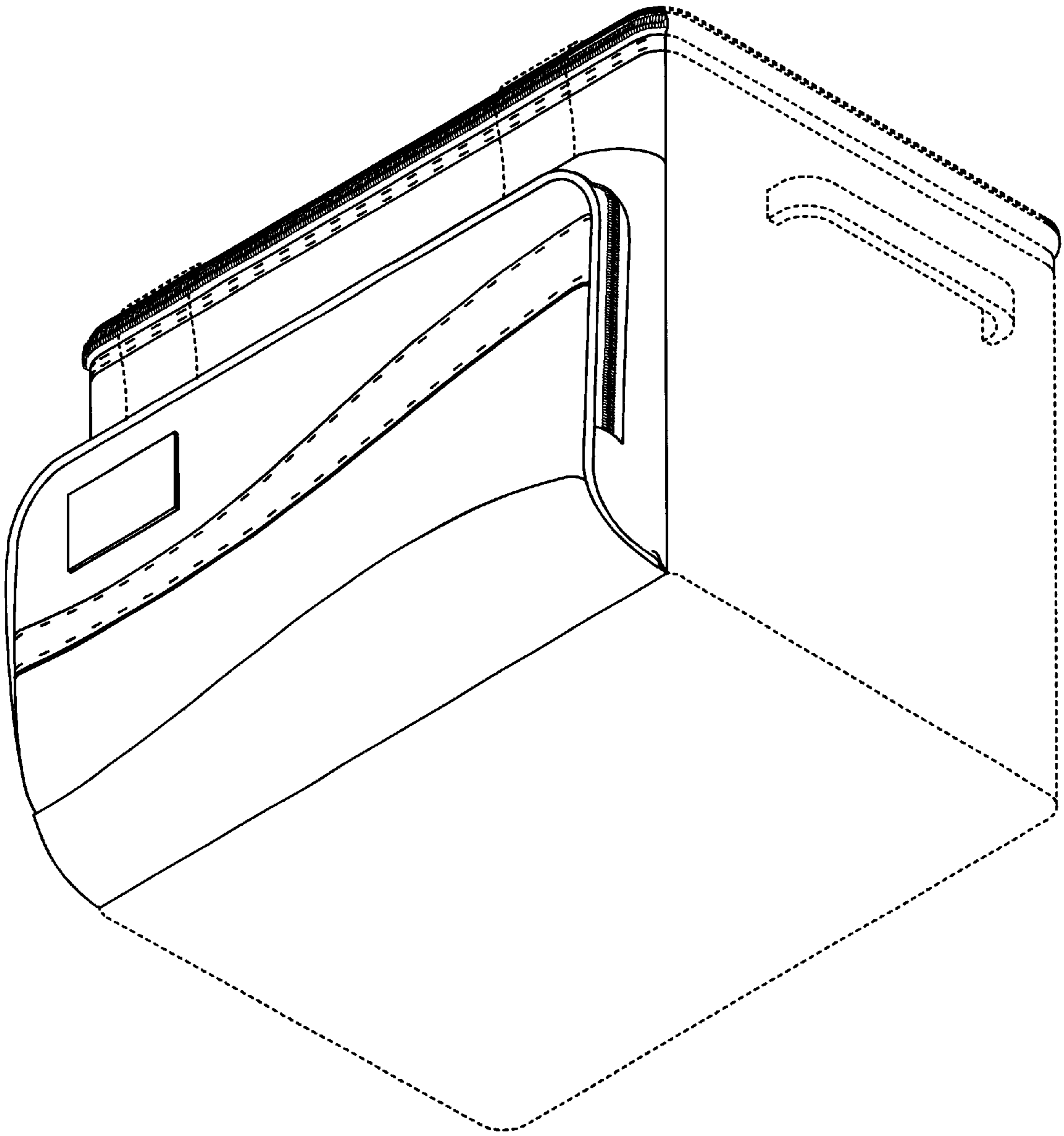


Fig. 24

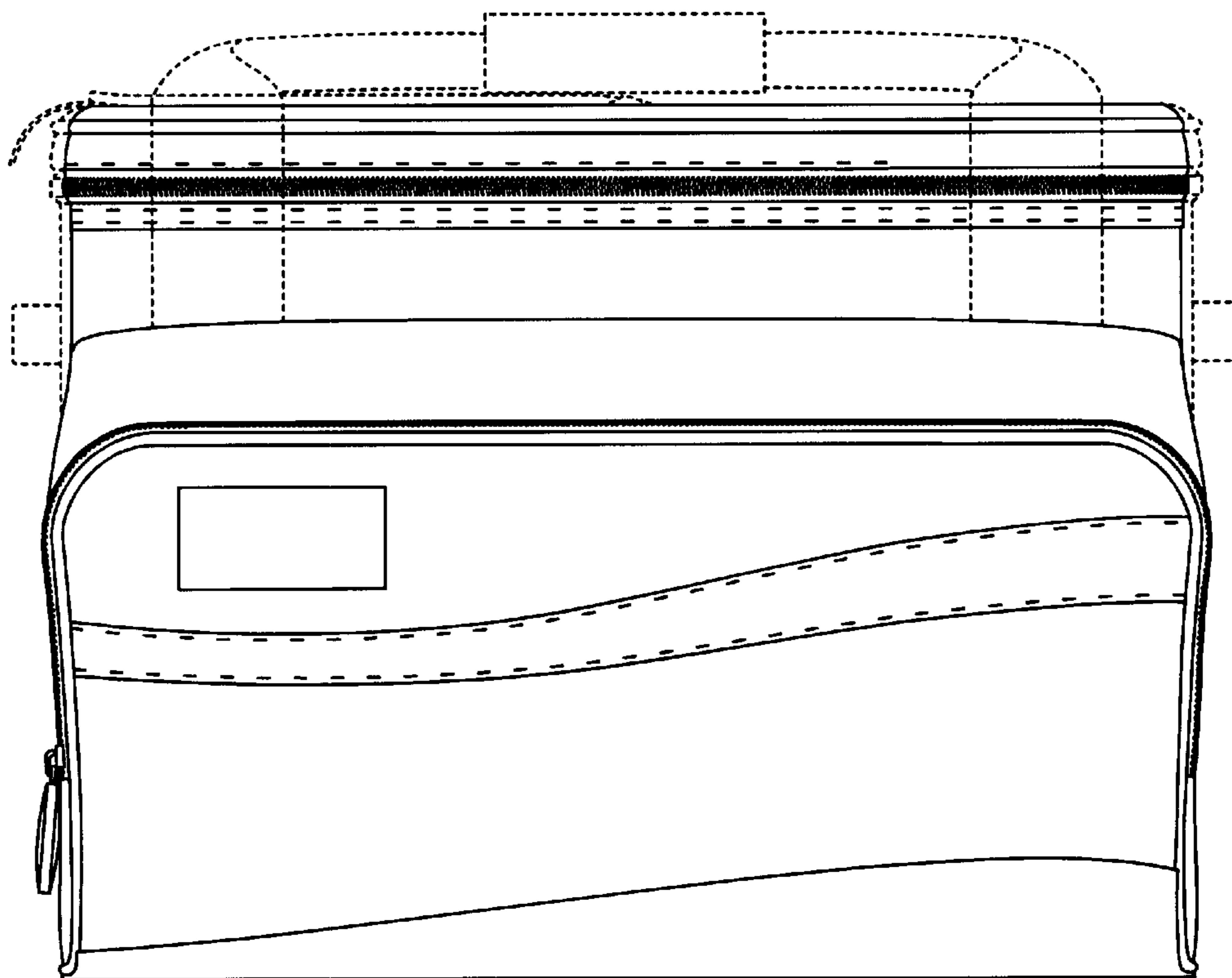


Fig. 25

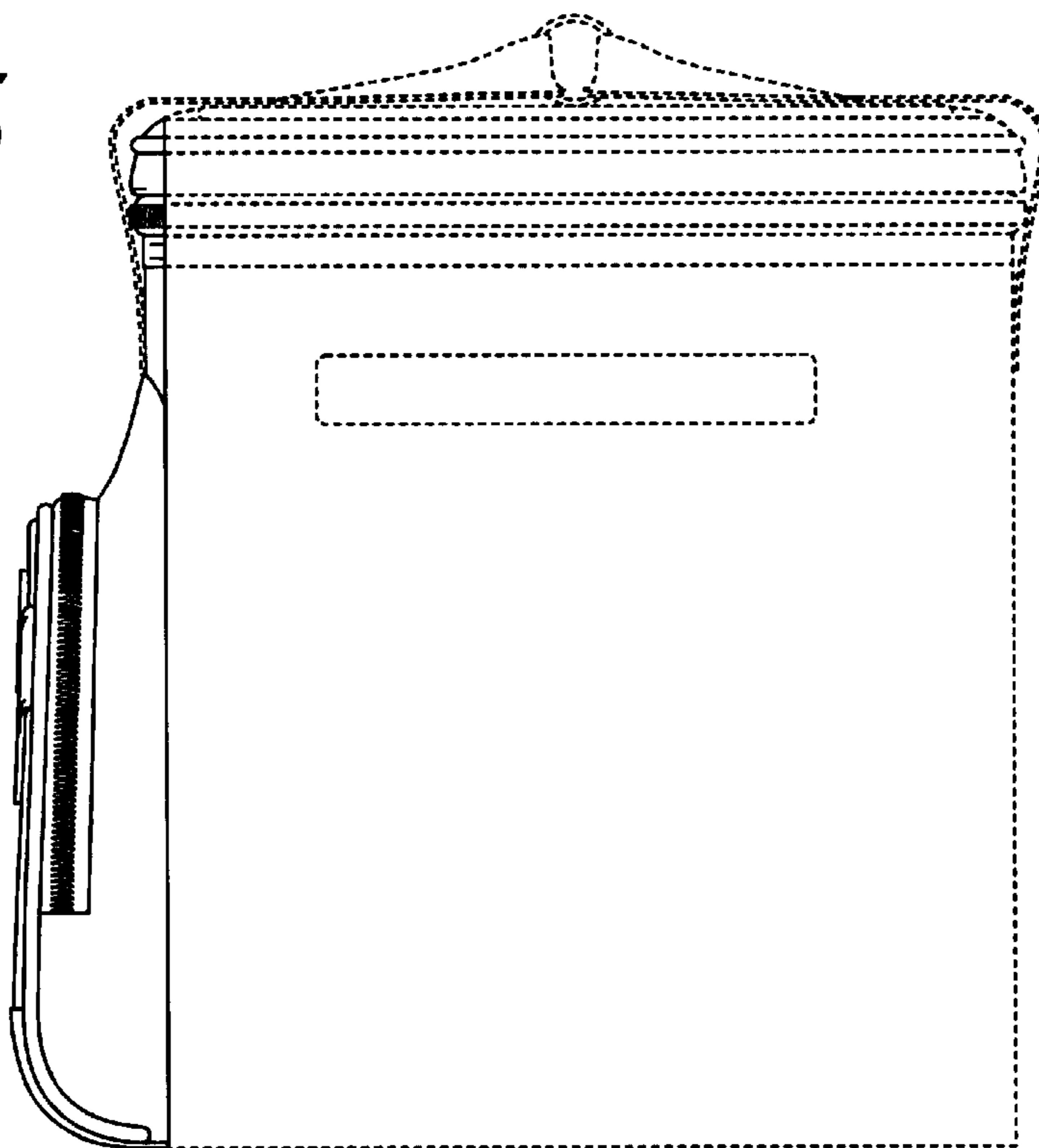


Fig. 26

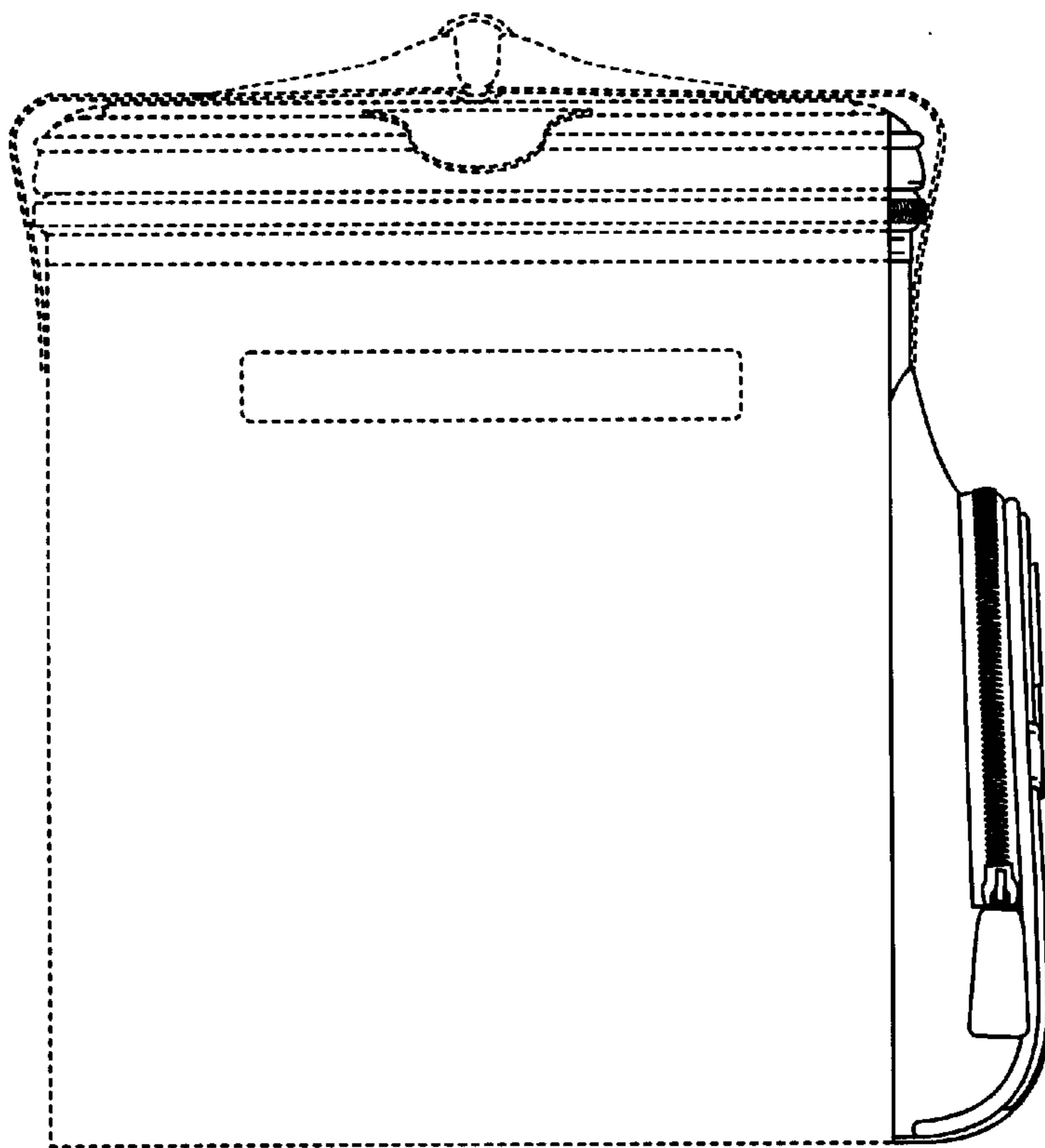


Fig. 27

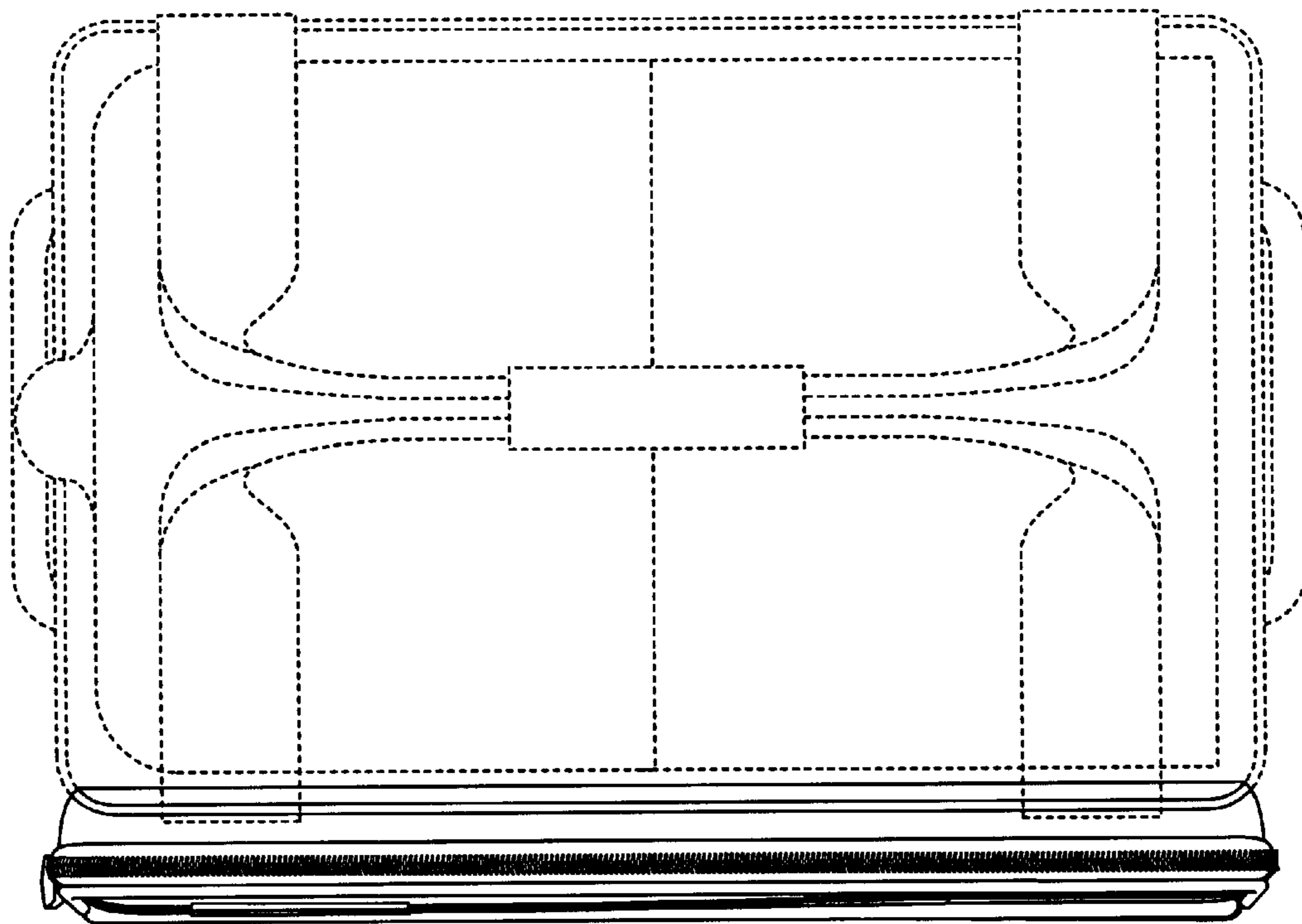


Fig. 28

