



US00D485129S

(12) **United States Design Patent**
Alverson

(10) **Patent No.:** **US D485,129 S**

(45) **Date of Patent:** **** Jan. 13, 2004**

(54) **GROUND COFFEE DISPENSER**

(76) **Inventor:** **Joseph John Alverson**, 2170 Summit Rd., Baileyton, AL (US) 35019

(**) **Term:** **14 Years**

(21) **Appl. No.:** **29/174,271**

(22) **Filed:** **Jan. 16, 2003**

(51) **LOC (7) Cl.** **07-06**

(52) **U.S. Cl.** **D7/589**

(58) **Field of Search** D7/589; D6/512, D6/515; 221/265; 222/359, 360, 367, 368, 410, 339, 363, 182

(56) **References Cited**

U.S. PATENT DOCUMENTS

| | | |
|-------------|---------|----------|
| 220,609 A | 10/1879 | Hartley |
| 1,884,840 A | 10/1932 | Pershall |
| 2,992,759 A | 7/1961 | Werliole |
| 3,169,668 A | 2/1965 | Ziegler |

D225,894 S * 1/1973 Emery D9/526
4,989,759 A 2/1991 Gangloff
D351,089 S * 10/1994 Blevins, Jr. D7/589

* cited by examiner

Primary Examiner—Terry A. Wallace
(74) *Attorney, Agent, or Firm*—Richard L. Mikesell

(57) **CLAIM**

The ornamental design for a ground coffee dispenser, as shown and described.

DESCRIPTION

FIG. 1 is a Top Left perspective view of the design of the instant invention;
FIG. 2 is a Left Side elevation;
FIG. 3 is a Front elevation; and,
FIG. 4 is a Top Right perspective with the drawer open.
The rear is plain and unadorned.

1 Claim, 1 Drawing Sheet

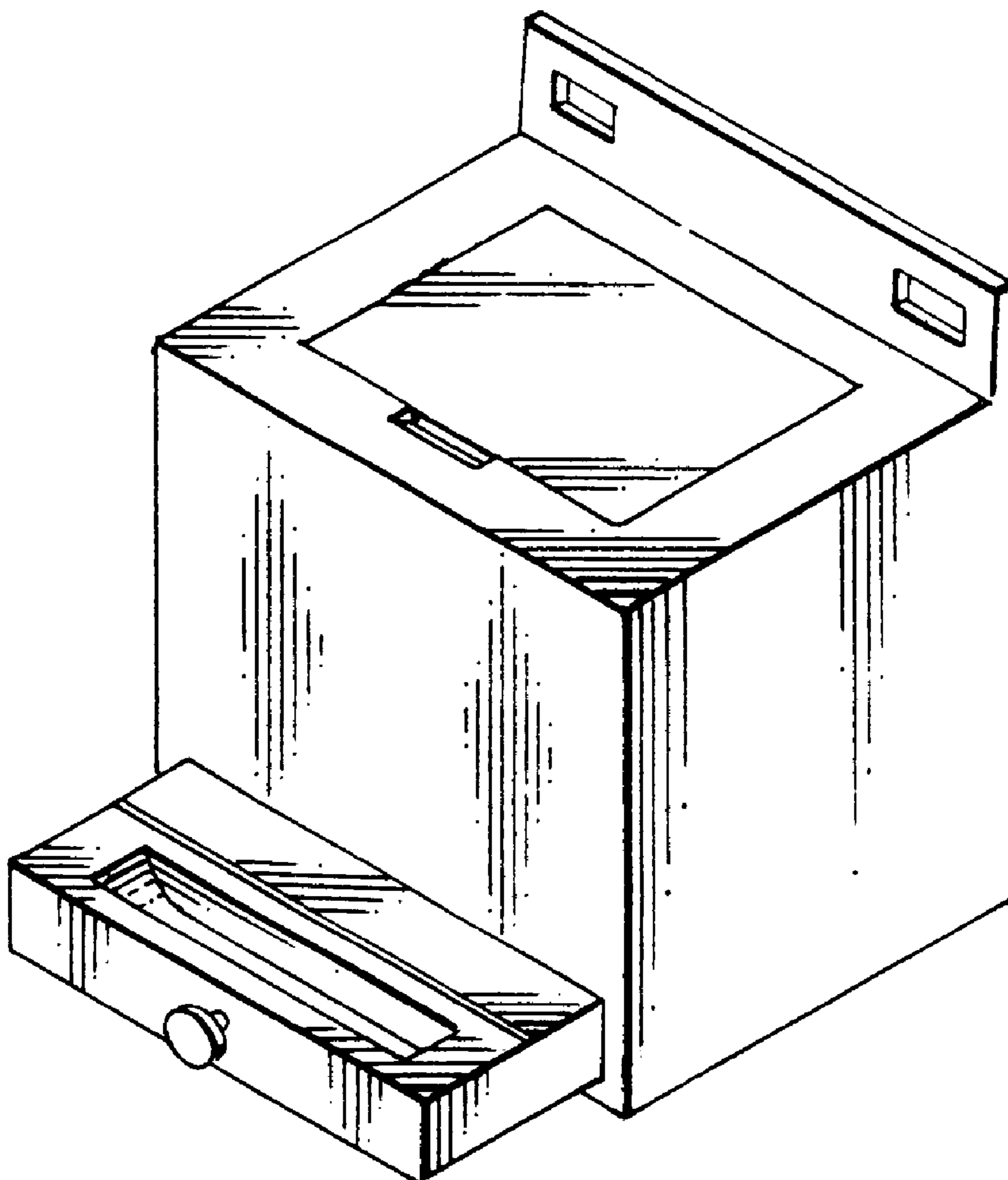


FIG. 1

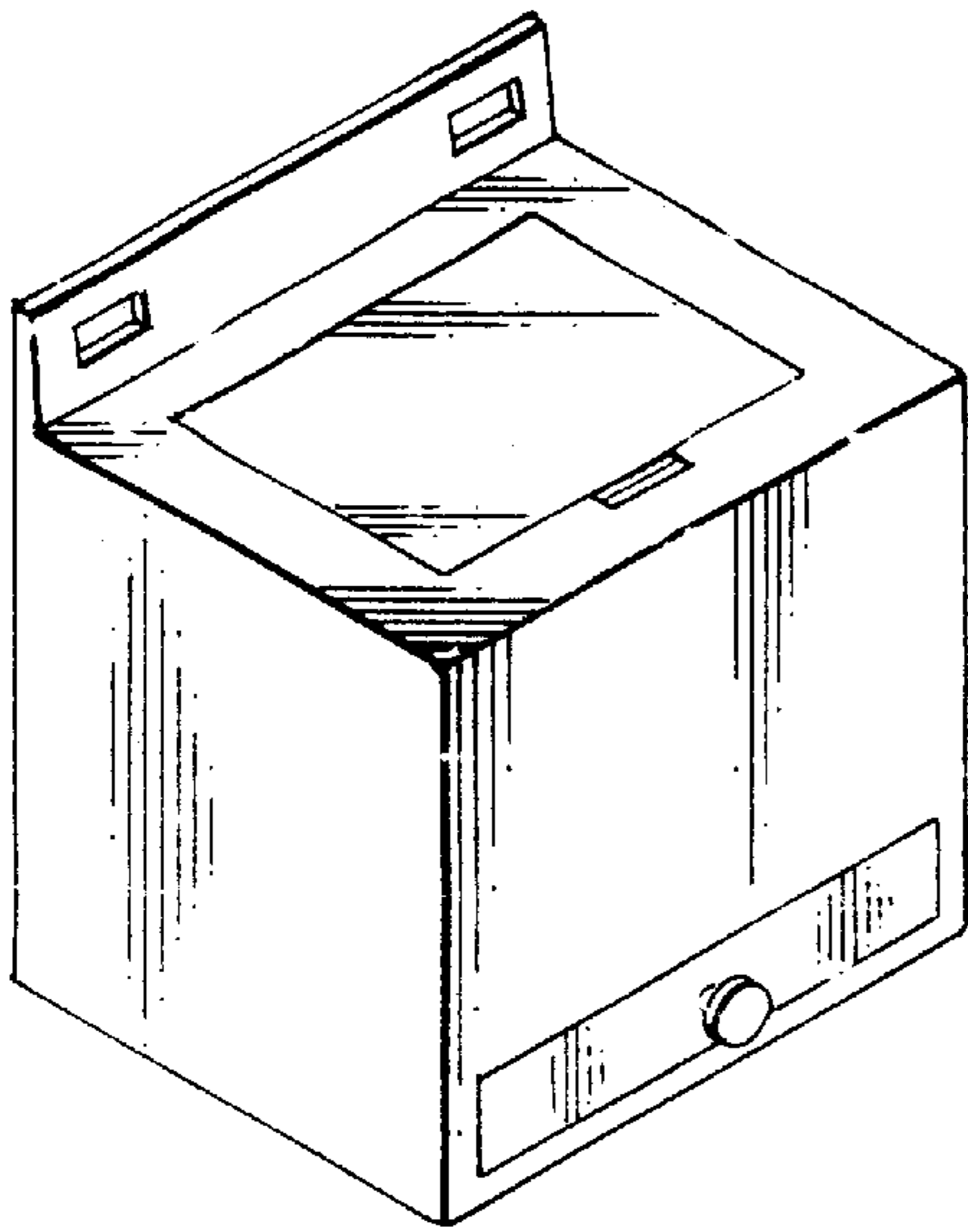


FIG. 2

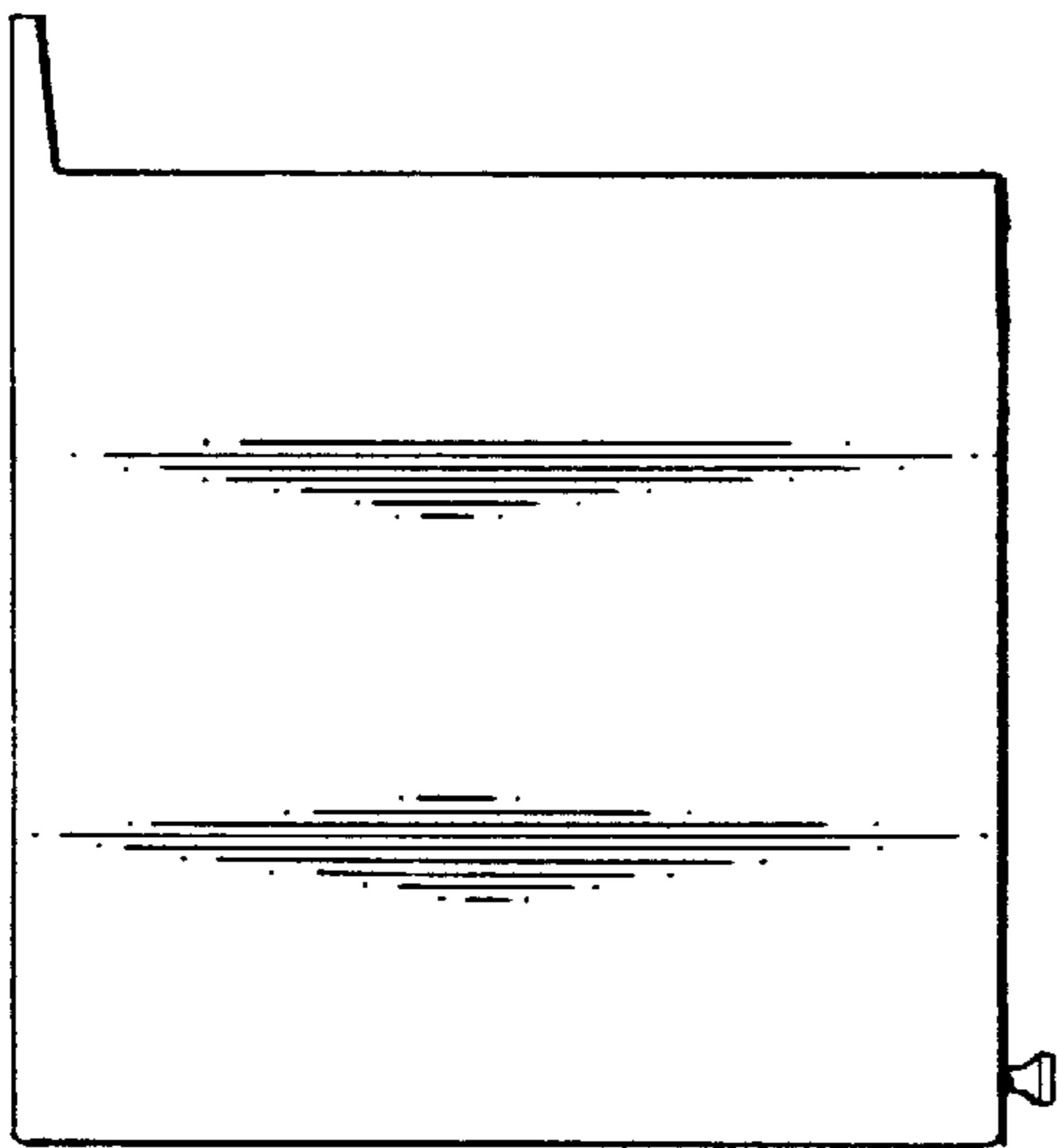


FIG. 3

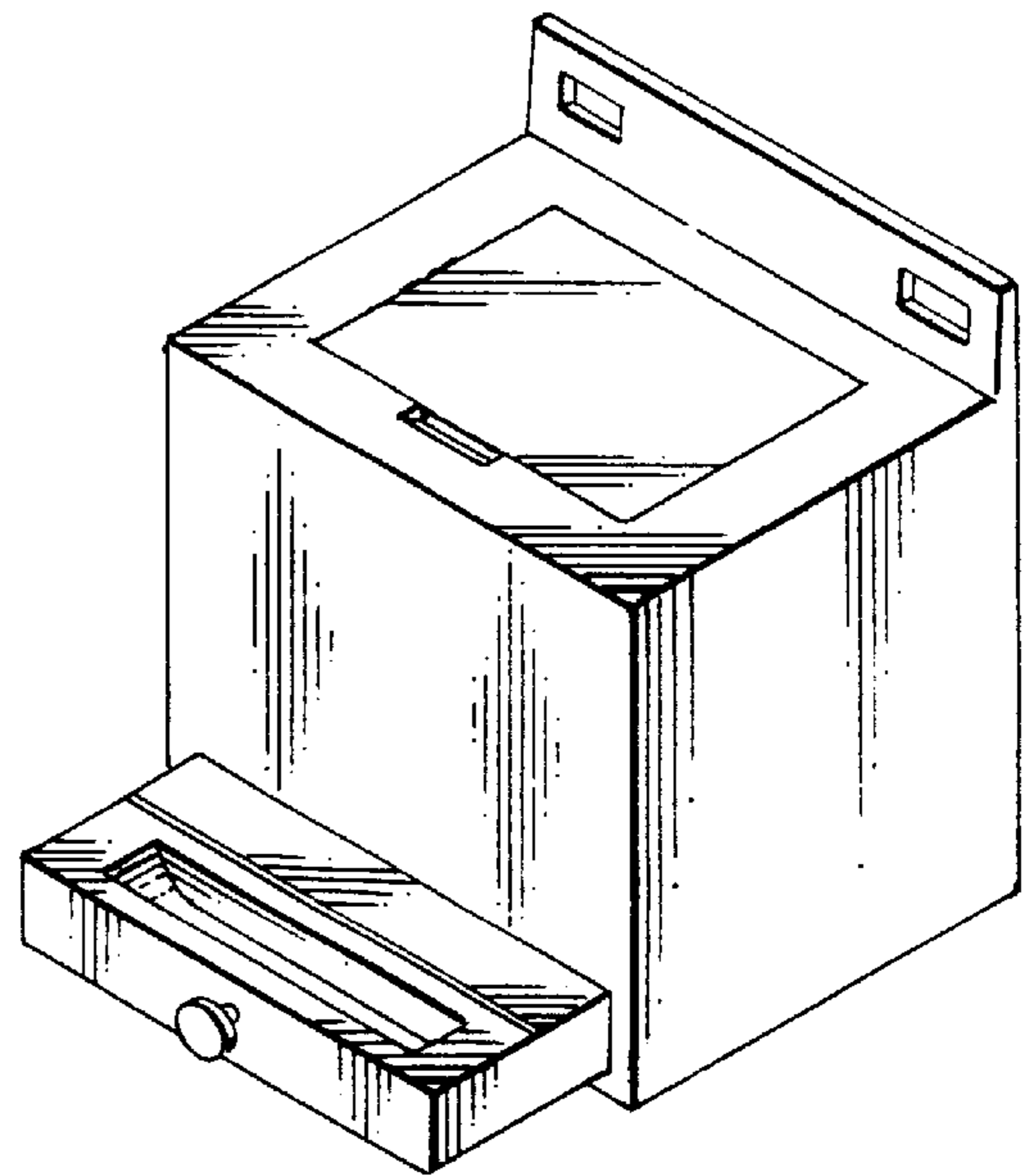


FIG. 4

