



US00D485124S

(12) **United States Design Patent**
McMullin

(10) **Patent No.:** **US D485,124 S**

(45) **Date of Patent:** **** Jan. 13, 2004**

(54) **DRINKING VESSEL**

D423,879 S * 5/2000 Lin D7/529

(75) Inventor: **Kevin S. McMullin**, Dove Canyon, CA (US)

* cited by examiner

(73) Assignee: **Destiny Plastics, Inc.**, Dove Canyon, CA (US)

Primary Examiner—Caron D. Veynar
(74) *Attorney, Agent, or Firm*—Francis C. Hand; Carella, Byrne, Bain et al.

(**) Term: **14 Years**

(57) **CLAIM**

(21) Appl. No.: **29/183,669**

The ornamental design for a drinking vessel, as shown and described.

(22) Filed: **Jun. 16, 2003**

DESCRIPTION

Related U.S. Application Data

(62) Division of application No. 29/160,395, filed on May 9, 2002, now Pat. No. Des. 479,668.

FIG. 1 illustrates a perspective view of a drinking vessel employing the ornamental design in accordance with the invention;

(51) **LOC (7) Cl.** **07-01**

(52) **U.S. Cl.** **D7/525**

(58) **Field of Search** D7/509-537, 396.1-396.6; 229/400-405; 206/217, 515, 520; 220/703-719; 215/374

FIG. 2 illustrates a side elevation view of a drinking vessel of FIG. 1 (each side being the same as that shown);

FIG. 3 illustrates a top view of a drinking vessel of FIG. 1;

FIG. 4 illustrates a bottom view of a drinking vessel of FIG. 1;

FIG. 5 illustrates a perspective view of a drinking vessel employing the ornamental design in accordance with the invention;

(56) **References Cited**

U.S. PATENT DOCUMENTS

- D211,038 S * 5/1968 Wentzel D7/524
- 3,499,569 A * 3/1970 Wentzel 215/374
- D221,170 S * 7/1971 Benes D7/524
- D234,448 S * 3/1975 Achenbach D7/524
- D290,799 S * 7/1987 Inns D7/529
- D305,392 S * 1/1990 Durand D7/525

FIG. 6 illustrates a side elevation view of a drinking vessel of FIG. 5 (each side being the same as that shown);

FIG. 7 illustrates a top view of a drinking vessel of FIG. 5; and,

FIG. 8 illustrates a bottom view of a drinking vessel of FIG. 5.

1 Claim, 4 Drawing Sheets

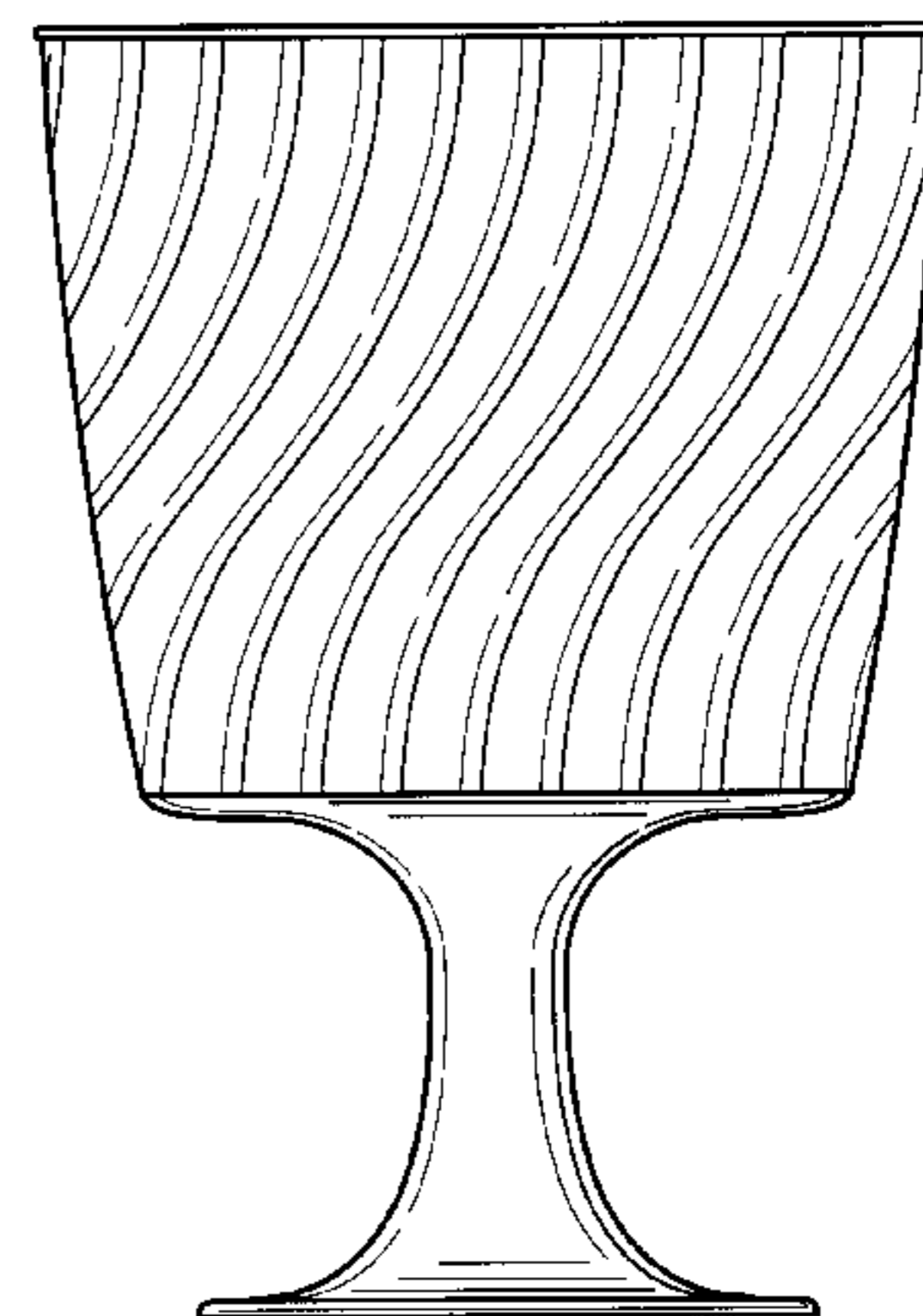
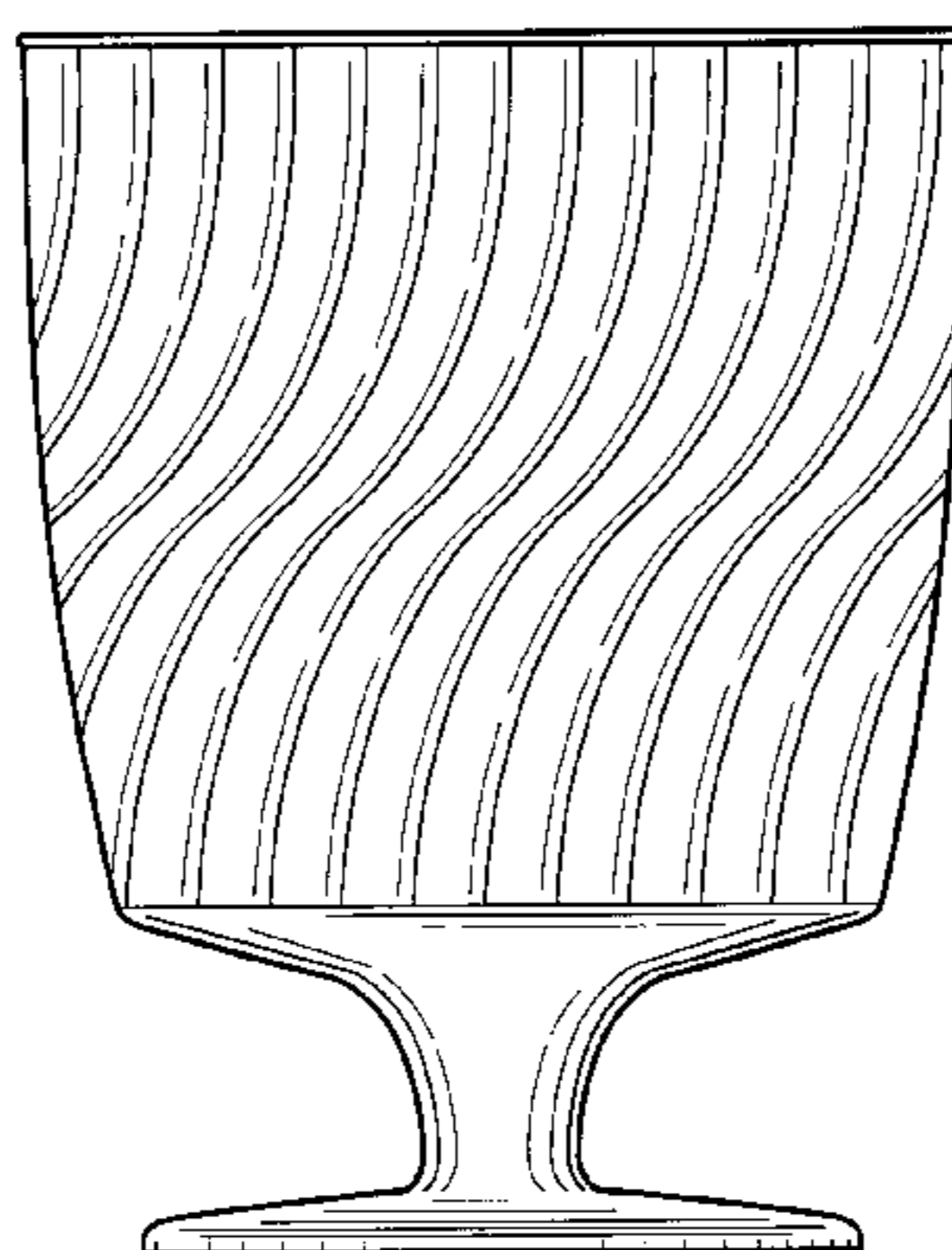
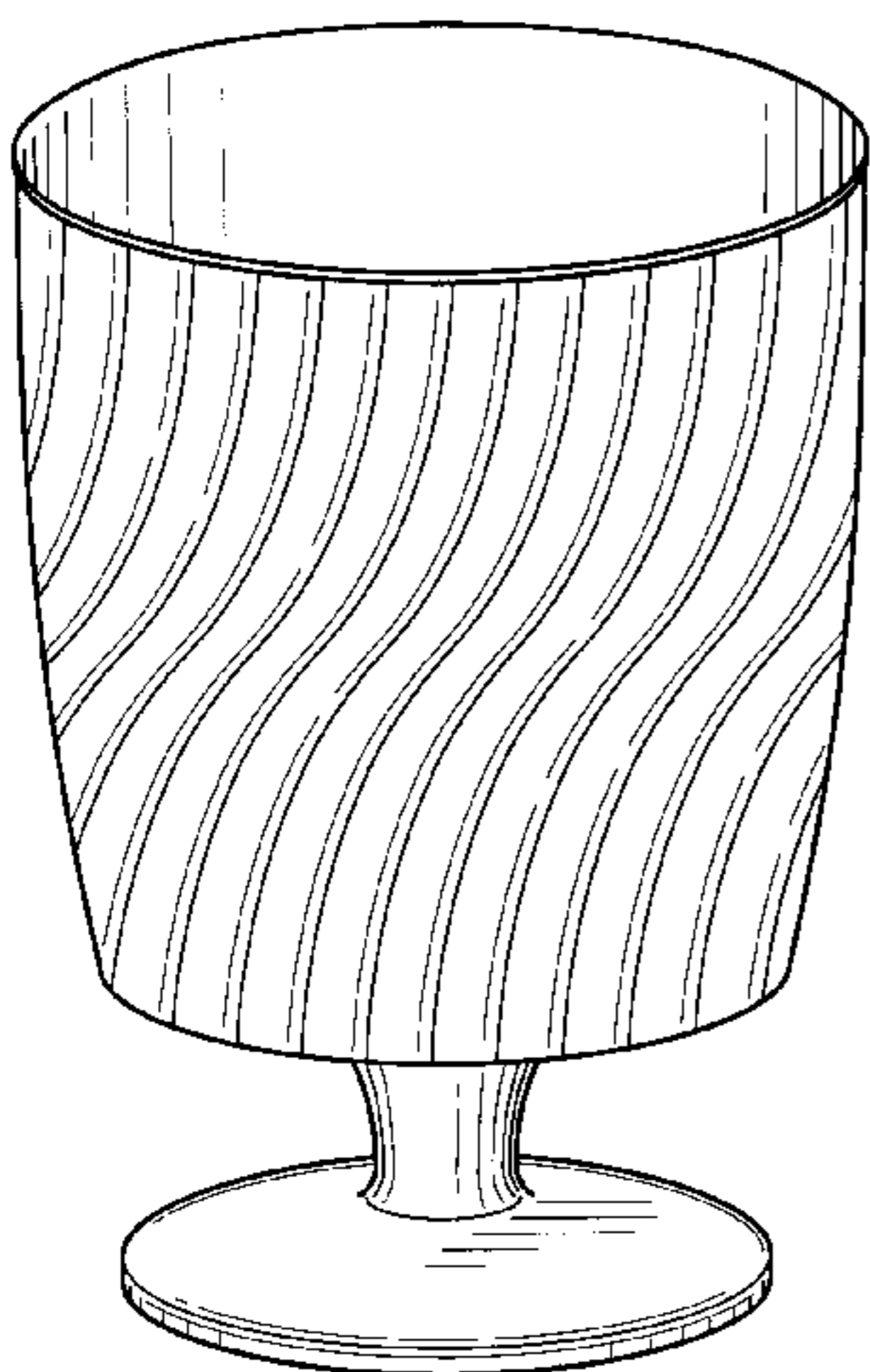


FIG. 1

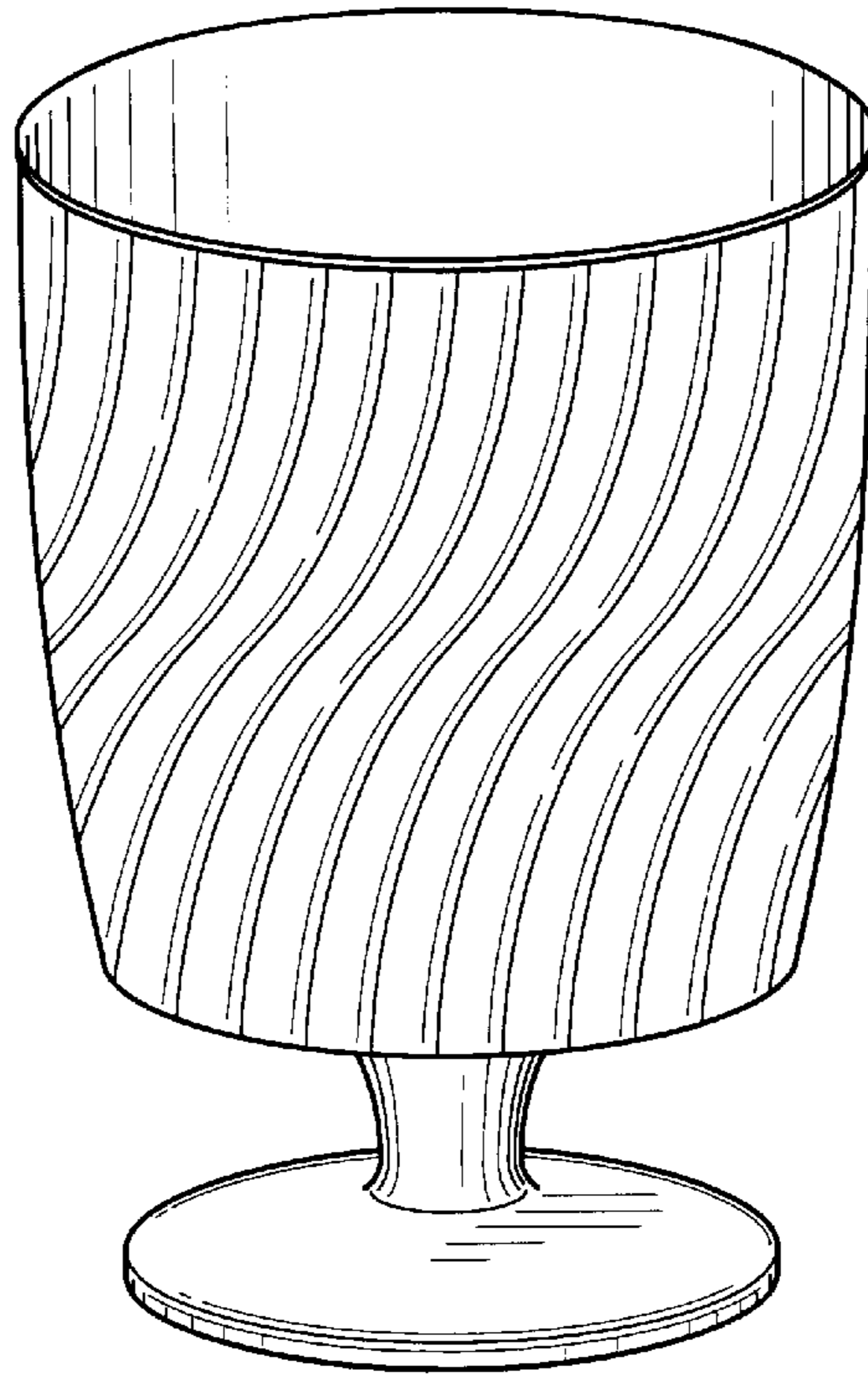


FIG. 2

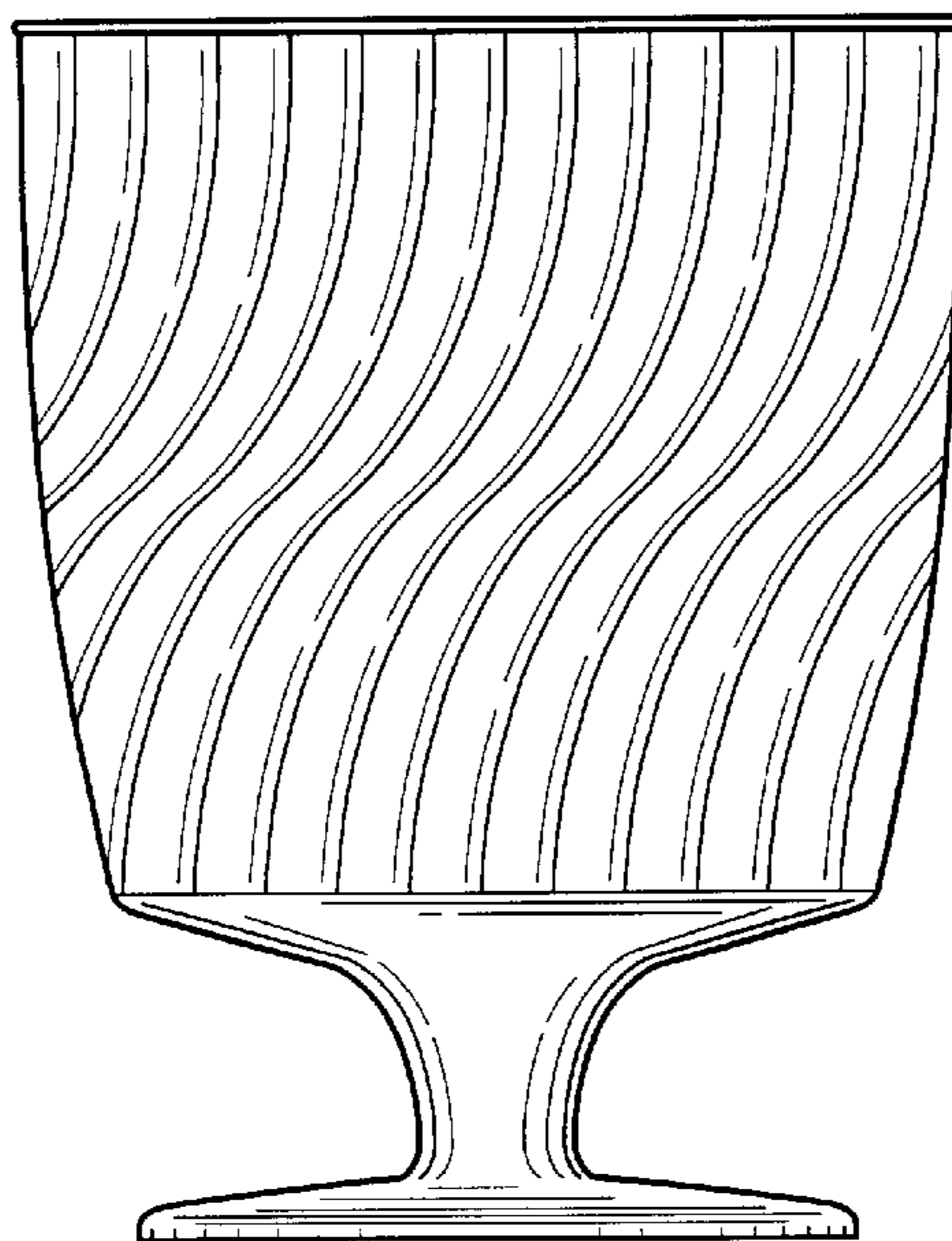


FIG. 3

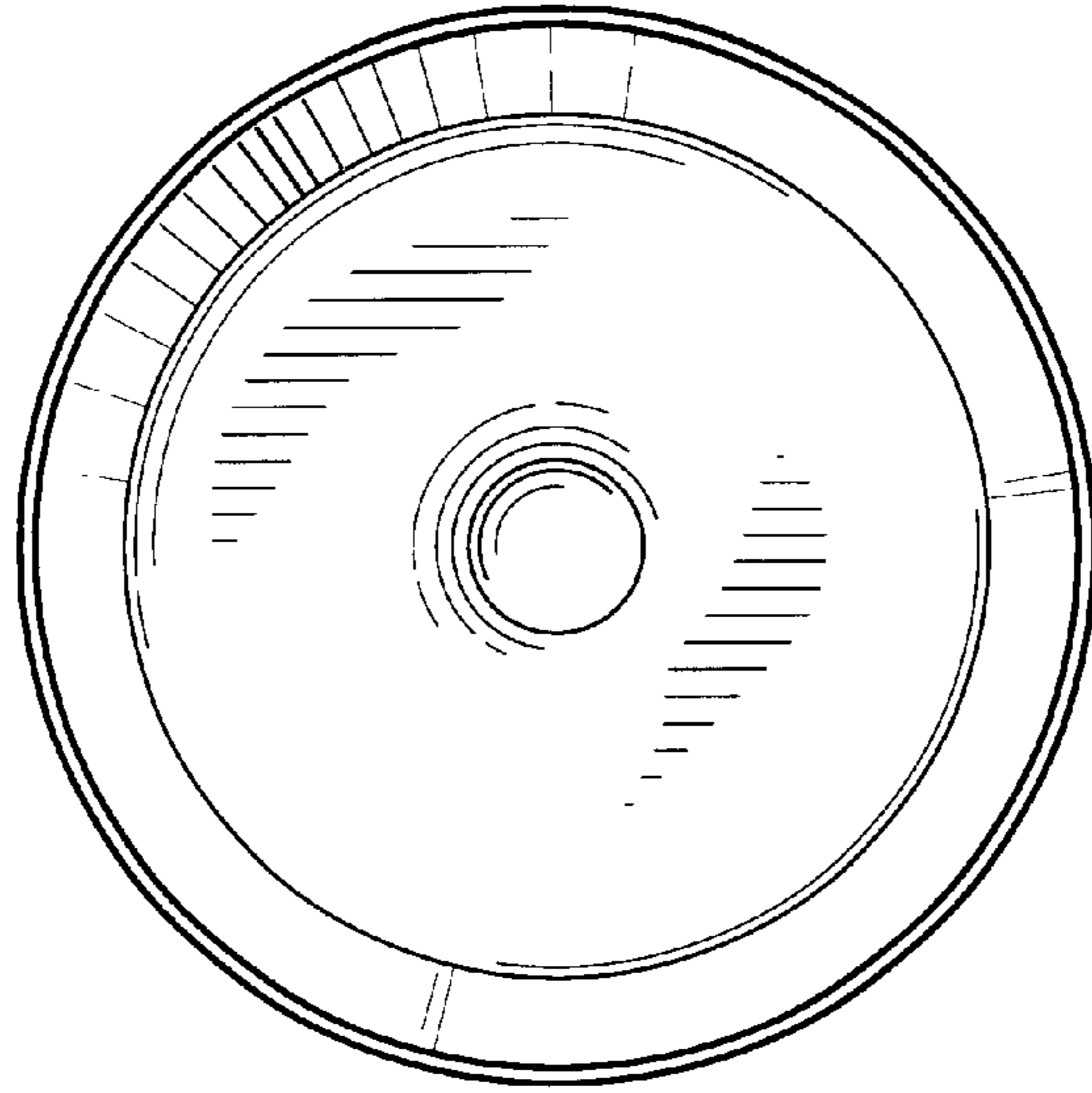


FIG. 4

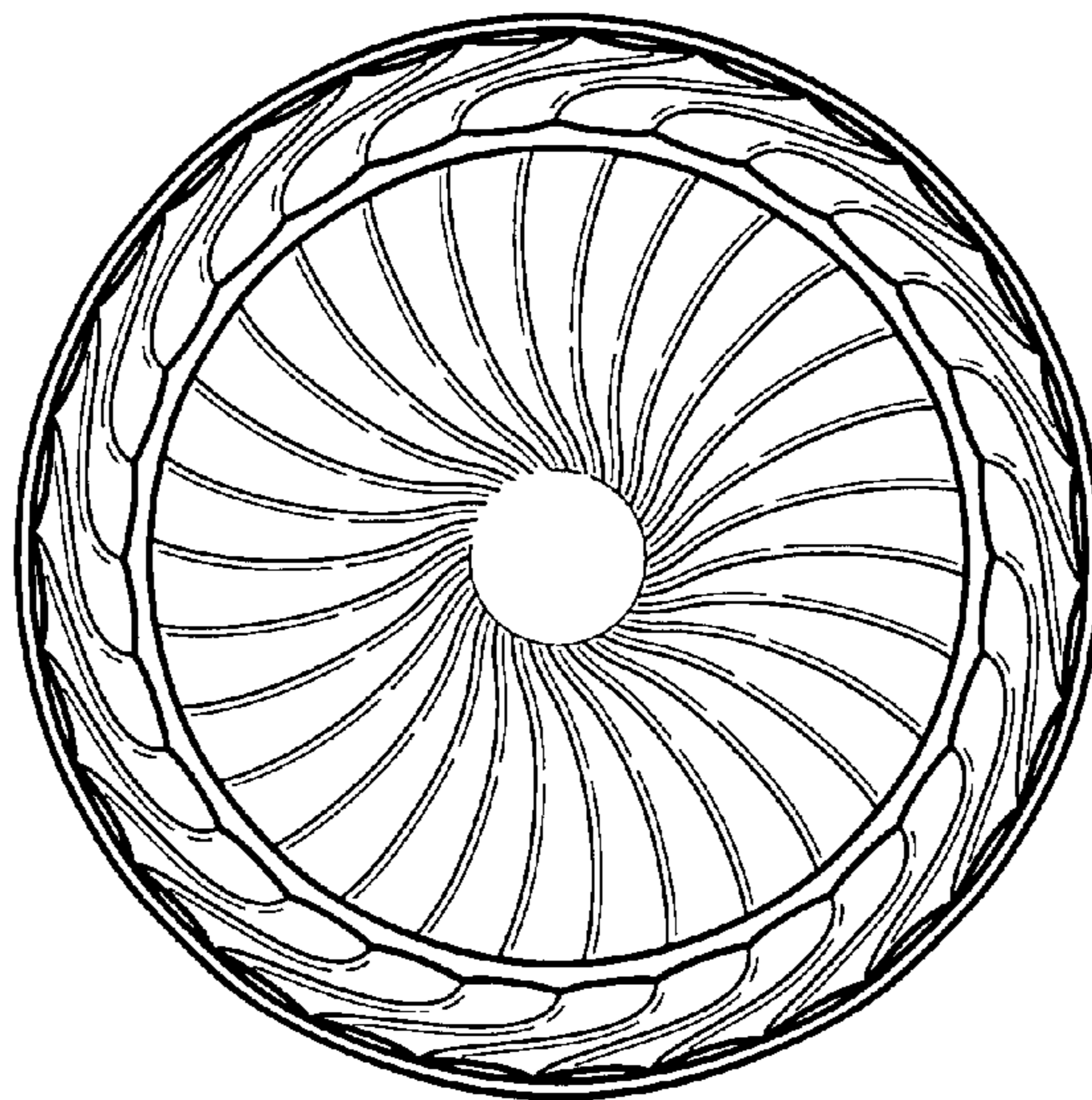


FIG. 5

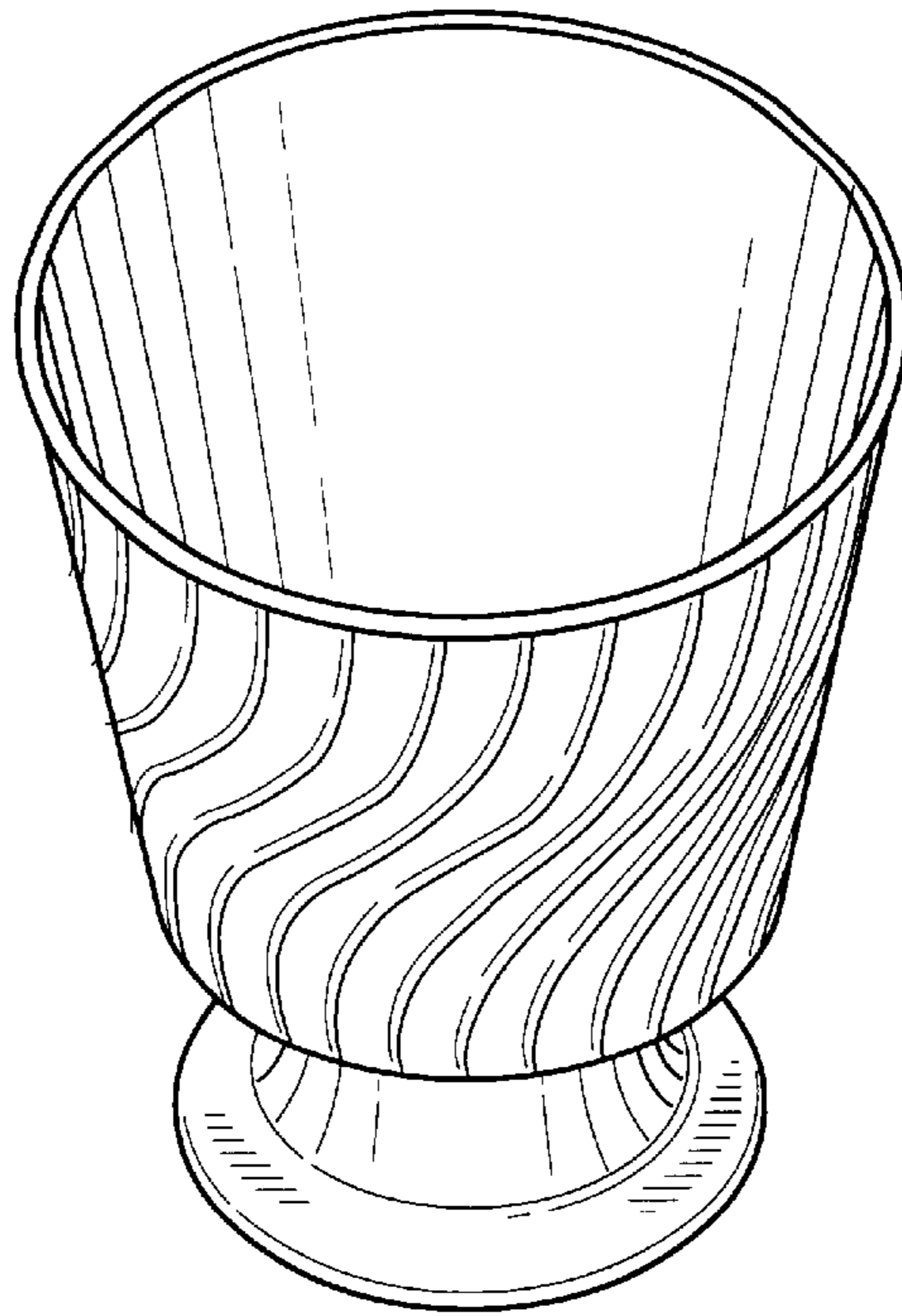


FIG. 6

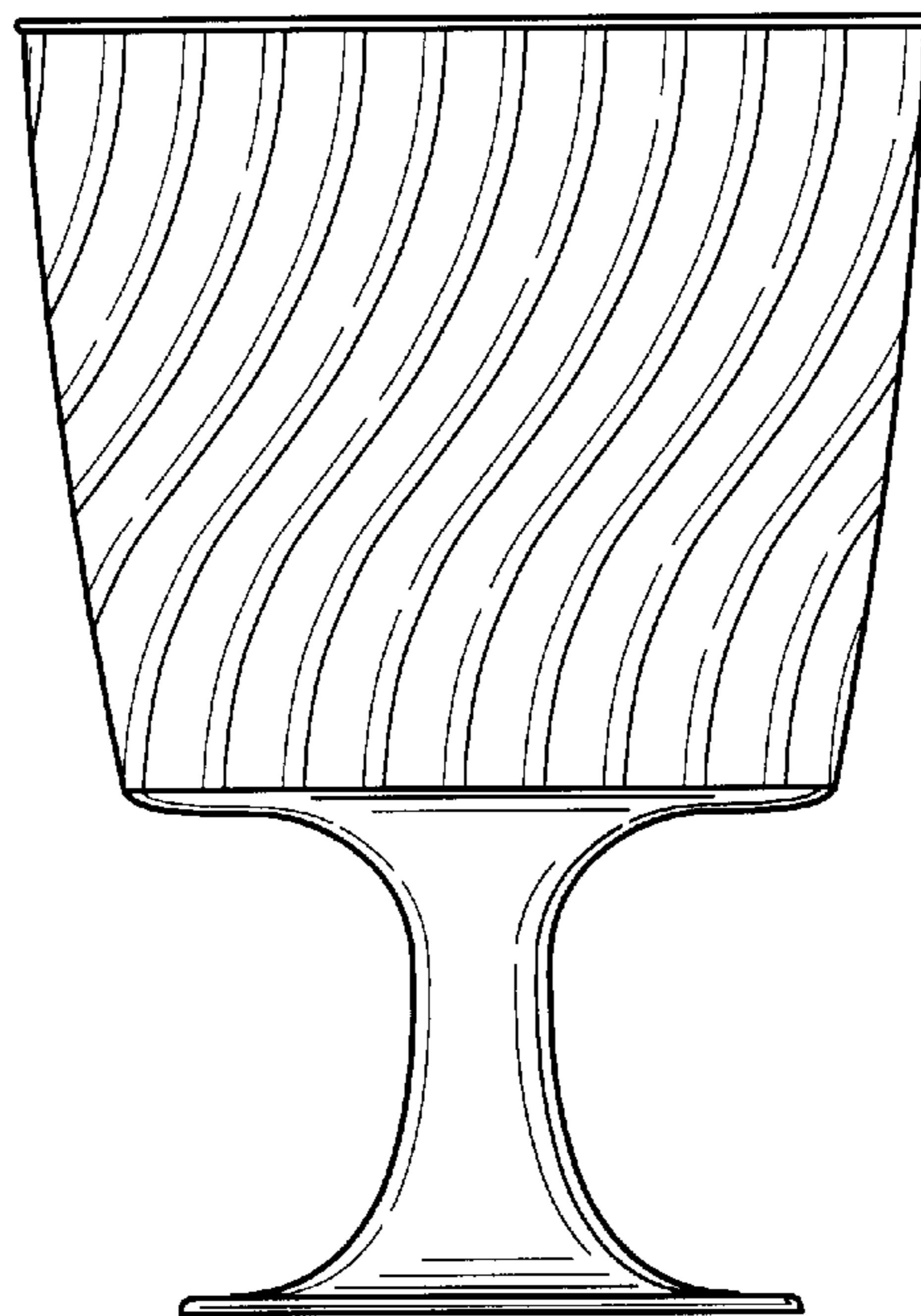


FIG. 7

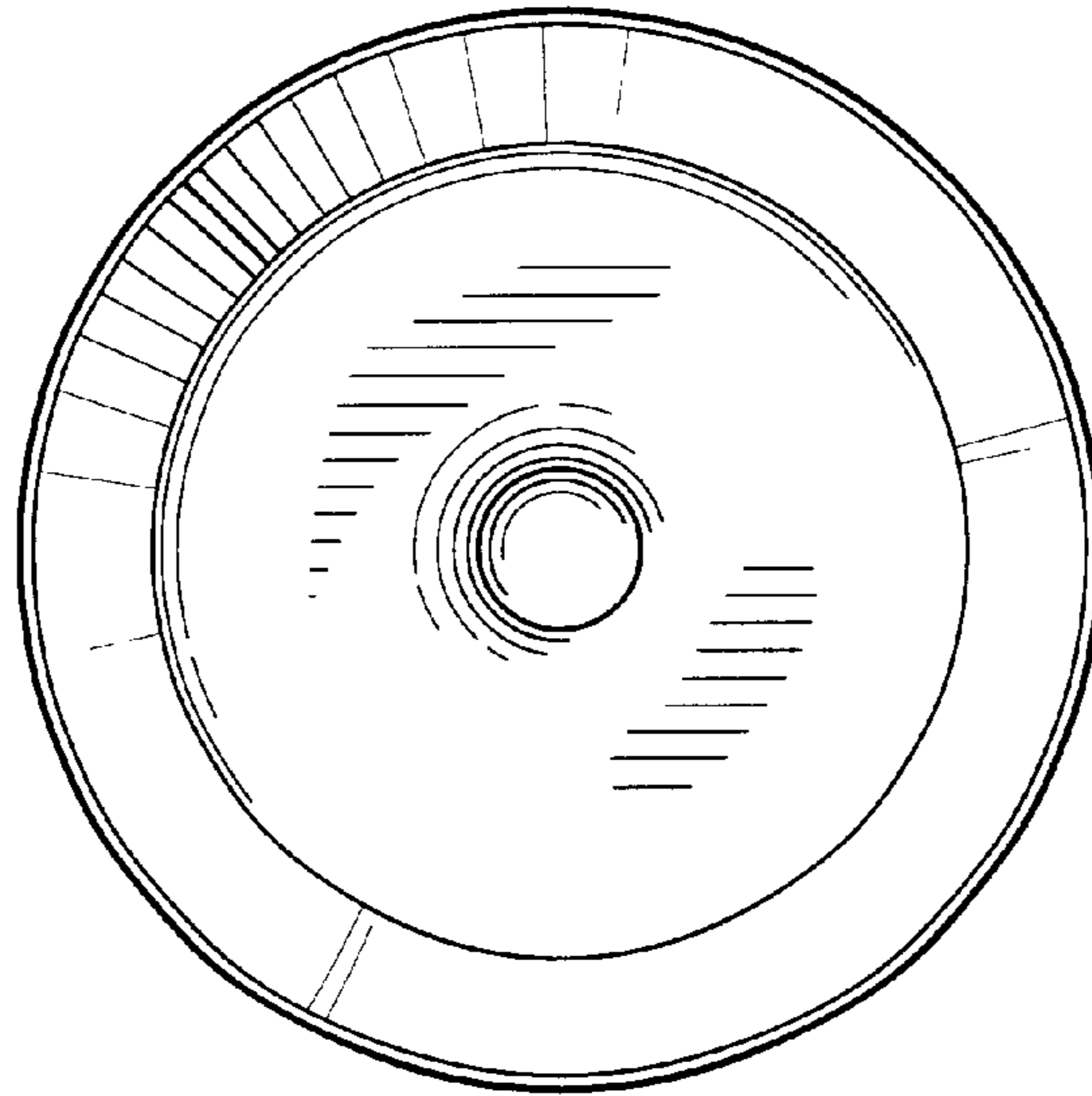


FIG. 8

