



US00D485116S

(12) **United States Design Patent**
Kwok

(10) **Patent No.:** **US D485,116 S**

(45) **Date of Patent:** **** Jan. 13, 2004**

(54) **PATTERNED BAR-B-Q OVEN**

D471,396 S * 3/2003 Chiang D7/334

(76) Inventor: **Cheng-Hsiung Kwok**, No. 556, Ming Hu Road, Hsinchu City (TW)

* cited by examiner

(**) Term: **14 Years**

Primary Examiner—Ruth McInroy

(74) *Attorney, Agent, or Firm*—Rosenberg, Klein & Lee

(21) Appl. No.: **29/169,897**

(57) **CLAIM**

(22) Filed: **Oct. 29, 2002**

The ornamental design for a patterned Bar-B-Q oven, as shown and described.

(51) **LOC (7) Cl.** **07-02**

DESCRIPTION

(52) **U.S. Cl.** **D7/334**

FIG. 1 is a perspective view of a patterned Bar-B-Q oven showing my new design;

(58) **Field of Search** D7/332-337, 402-404; 126/25 R, 25 A, 25 AA, 41 R, 29-30, 9 R, 9 A, 9 B, 8; 99/419, 421 R

FIG. 2 is a front plan view thereof;

FIG. 3 is a rear plan view thereof;

(56) **References Cited**

U.S. PATENT DOCUMENTS

- 5,111,802 A * 5/1992 Lin 126/25 R
- D351,308 S * 10/1994 Pai D7/334
- D414,374 S * 9/1999 Ting D7/334
- D460,658 S * 7/2002 Wu D7/334

FIG. 4 is a left side plan view thereof;

FIG. 5 is a right side plan view thereof;

FIG. 6 is a top plan view thereof; and,

FIG. 7 is a bottom plan view thereof.

1 Claim, 7 Drawing Sheets

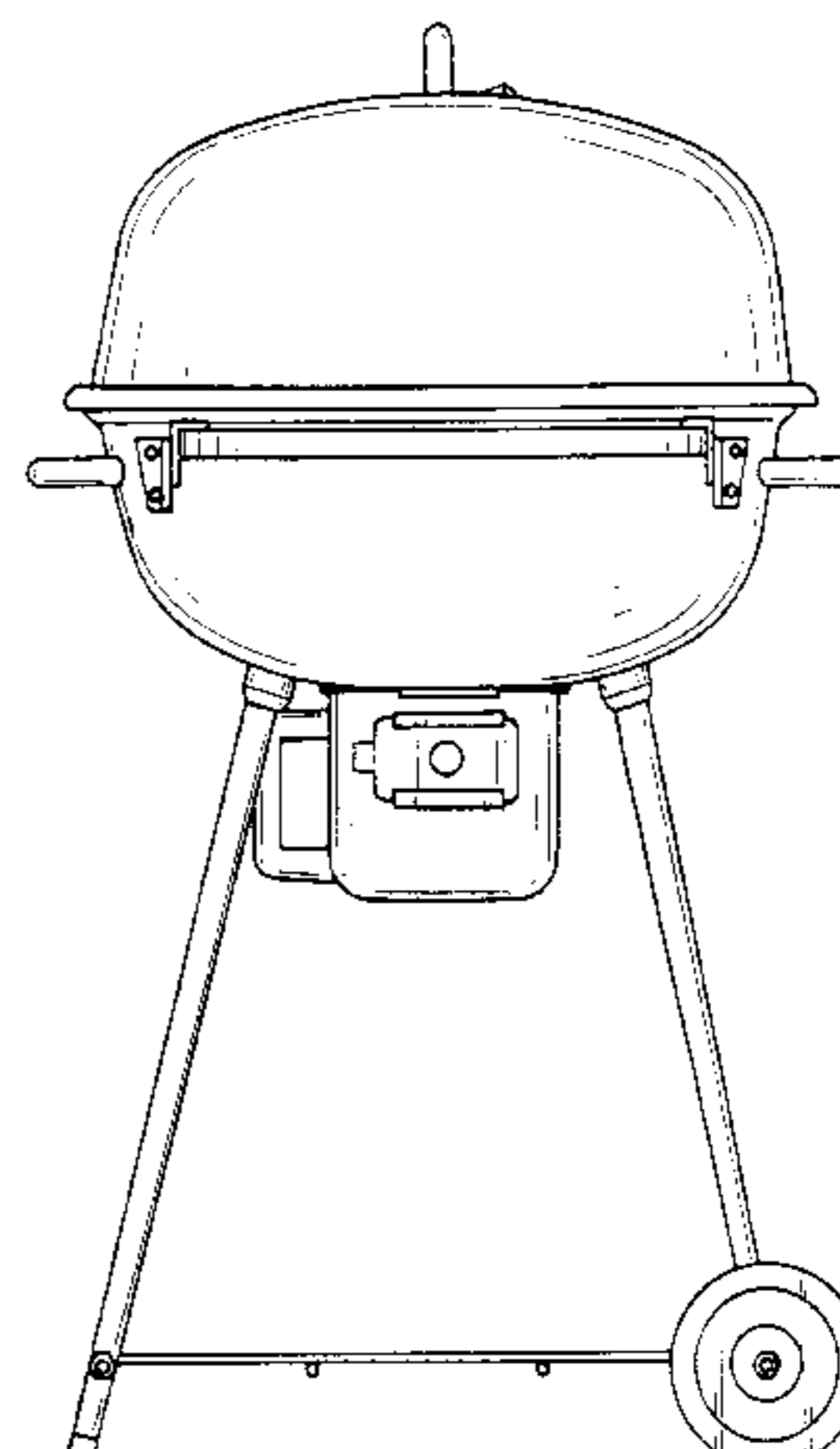
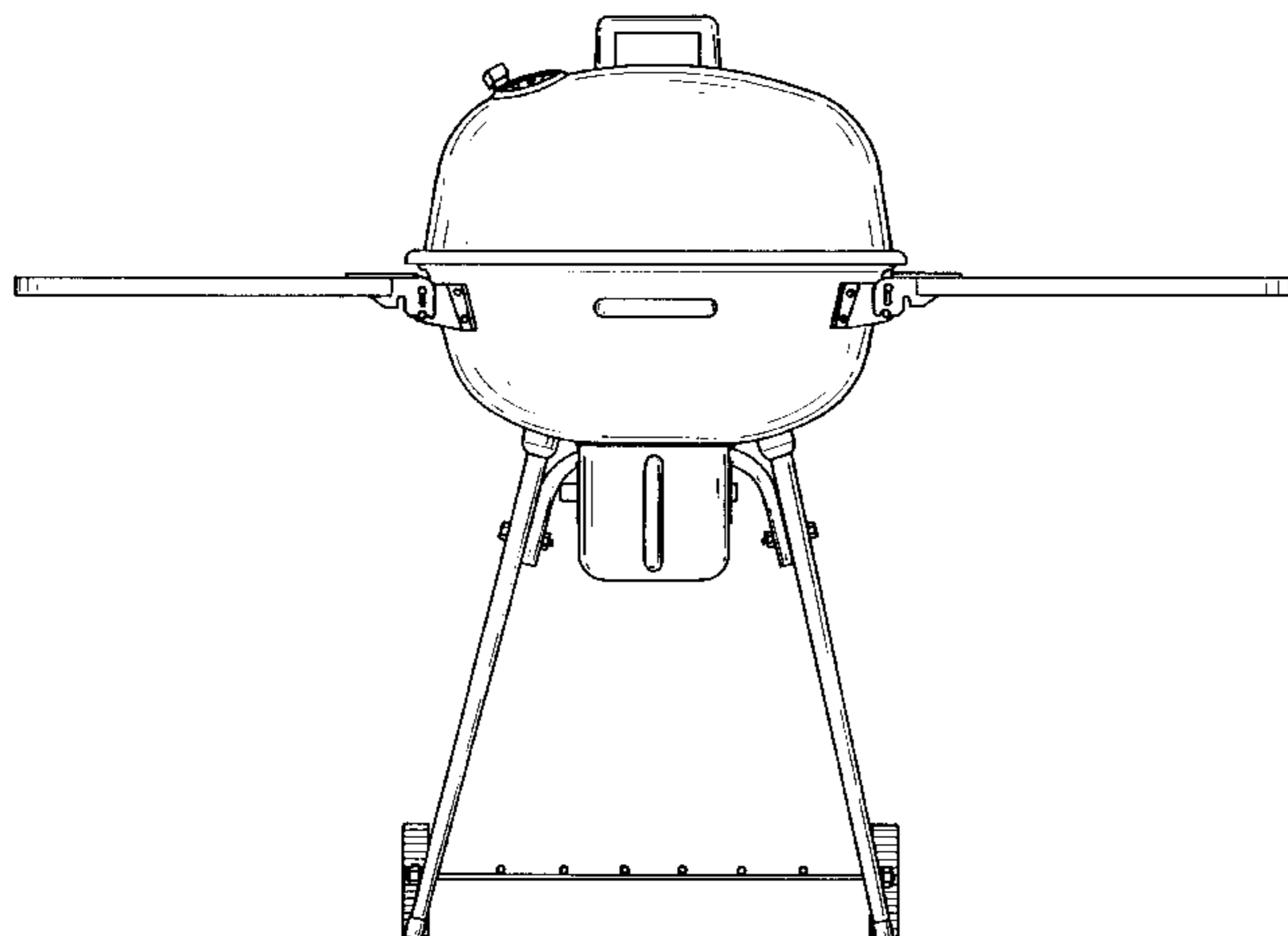
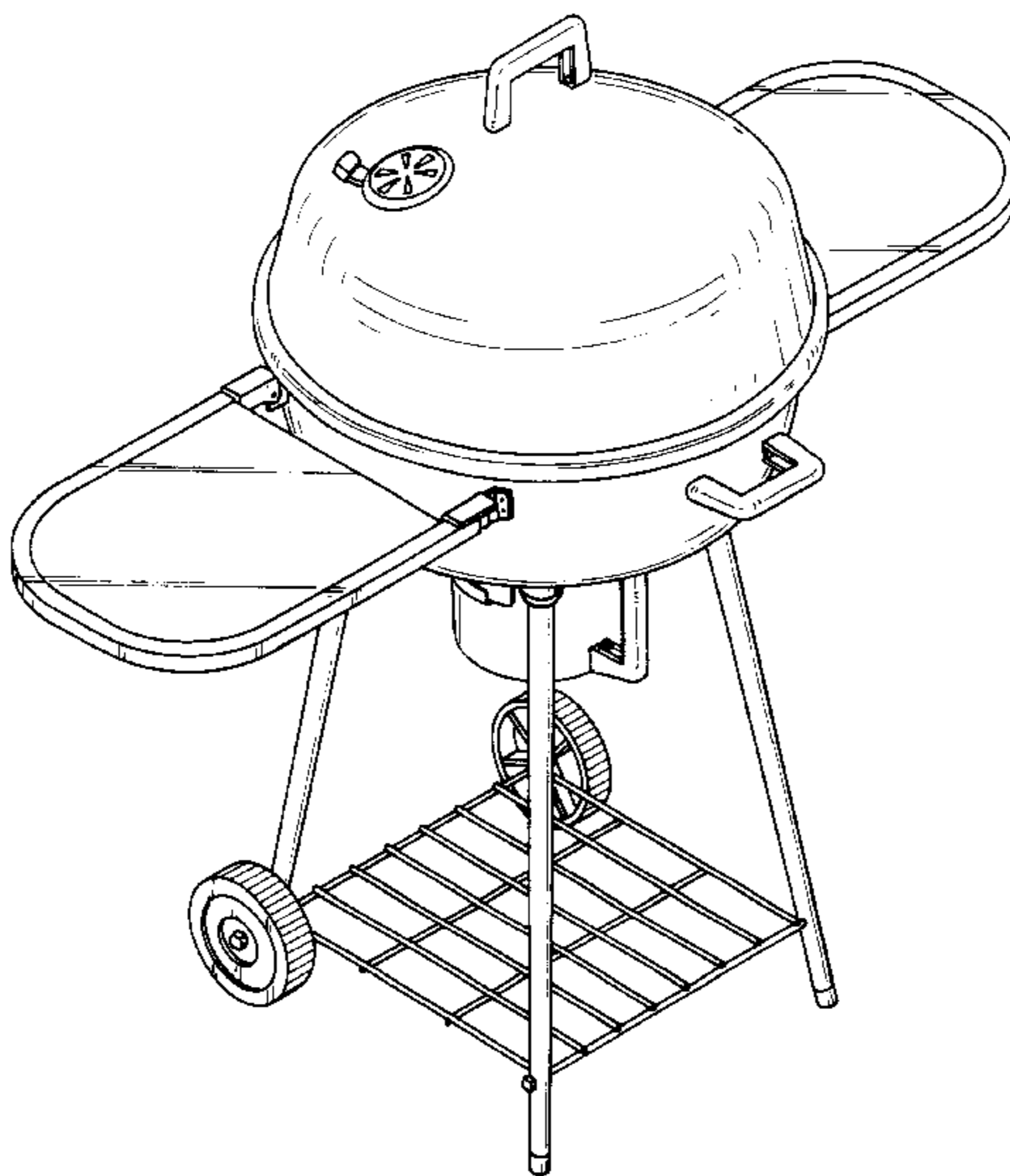




FIG. 1

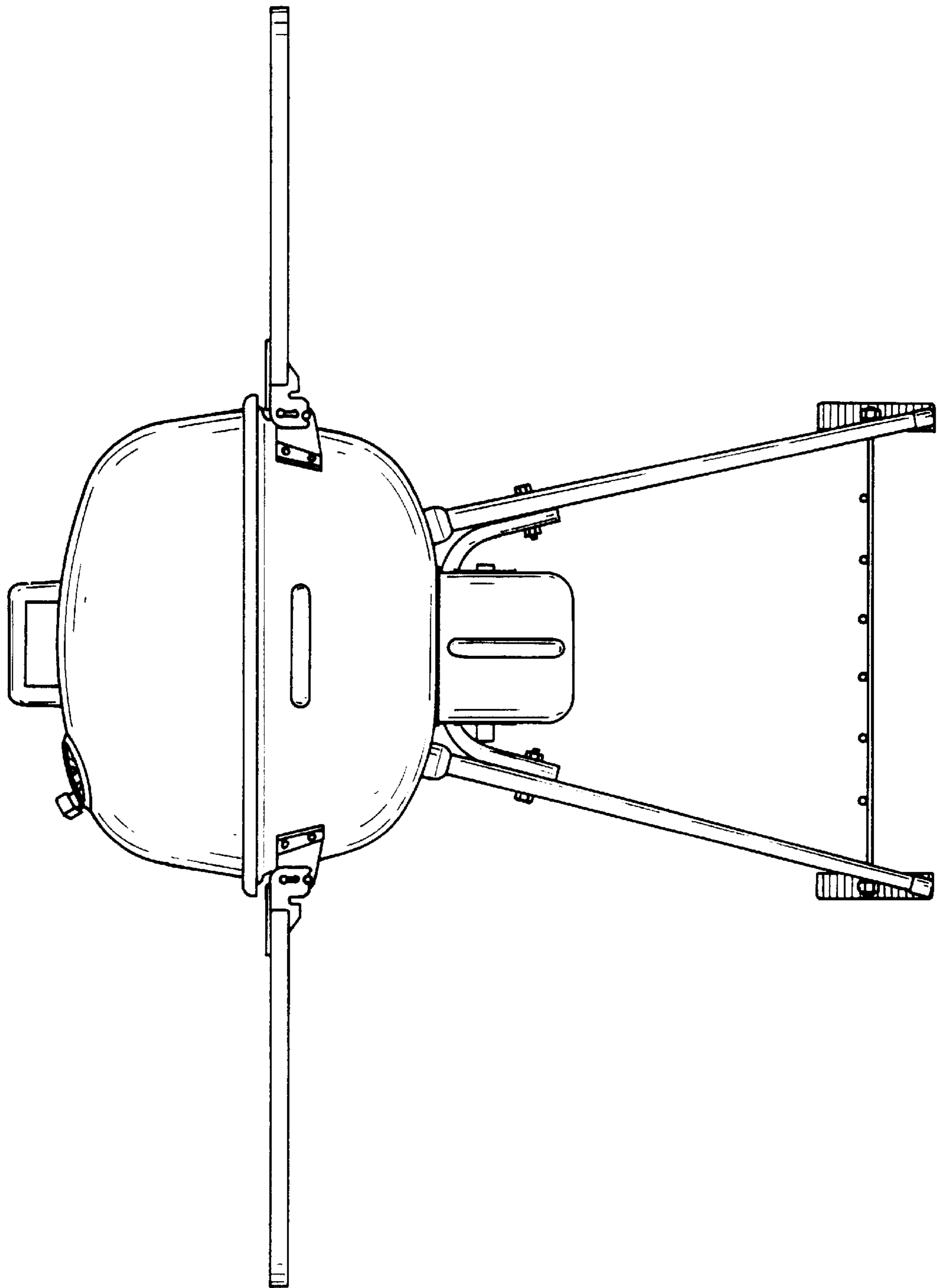


FIG. 2

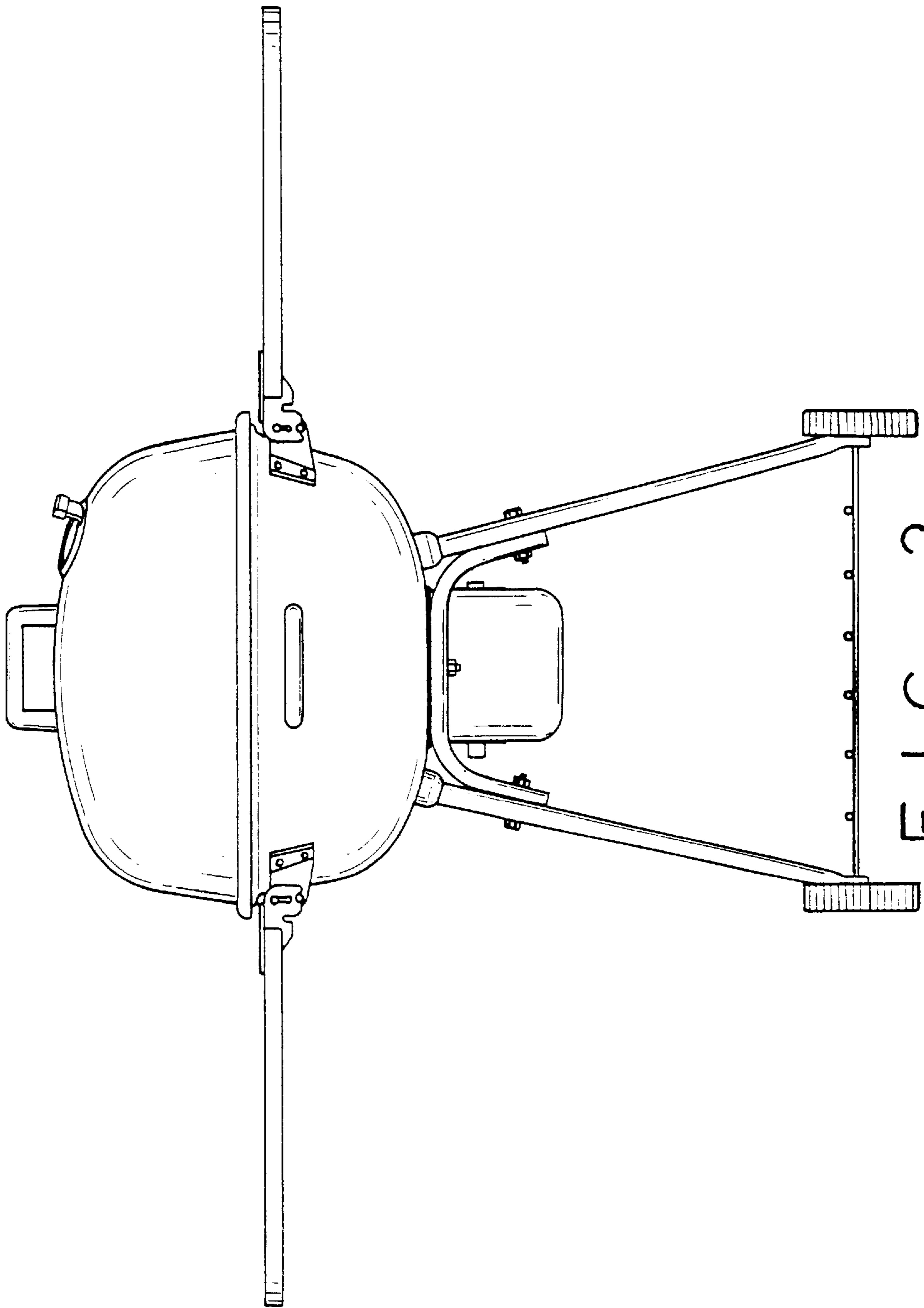


FIG. 3

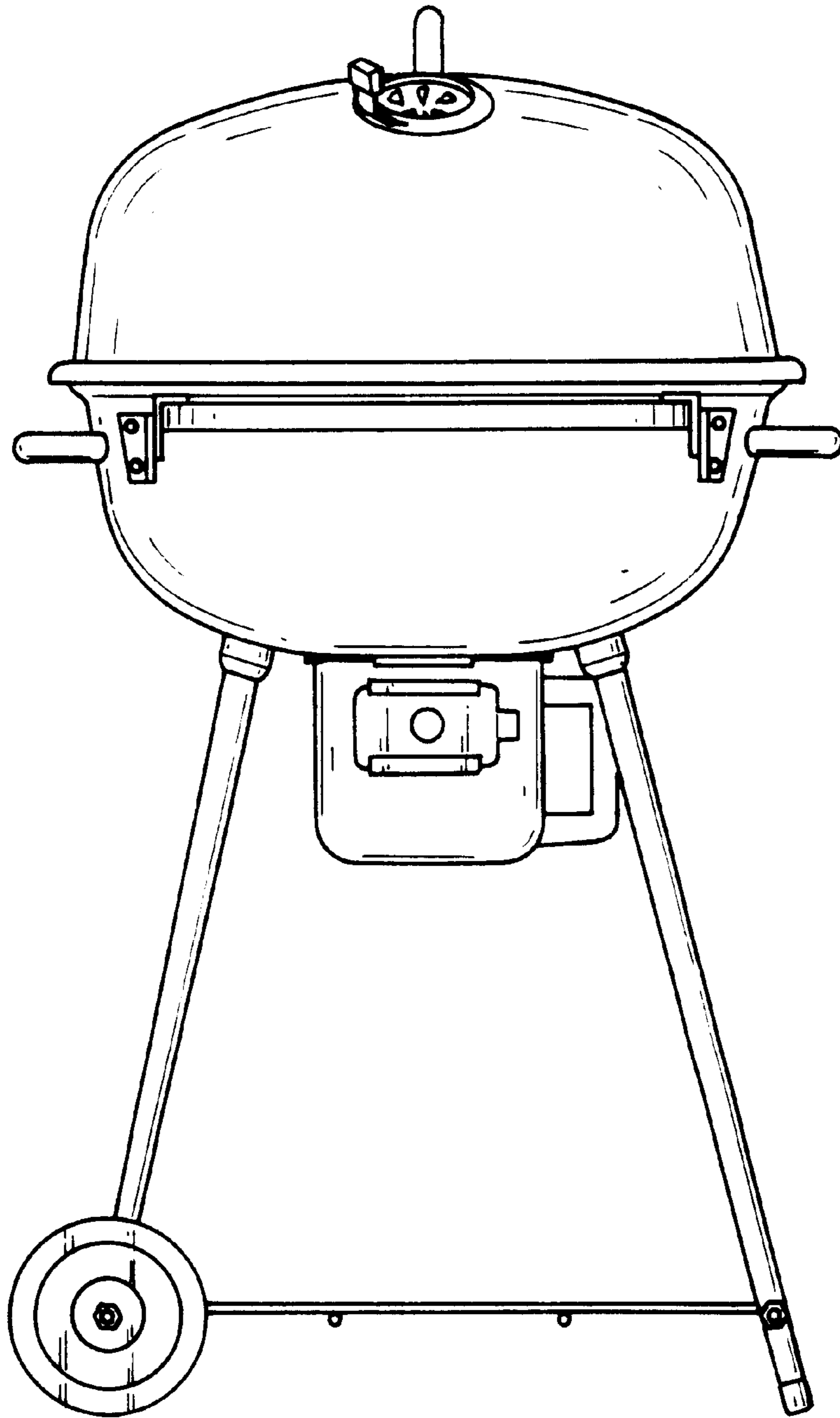


FIG. 4

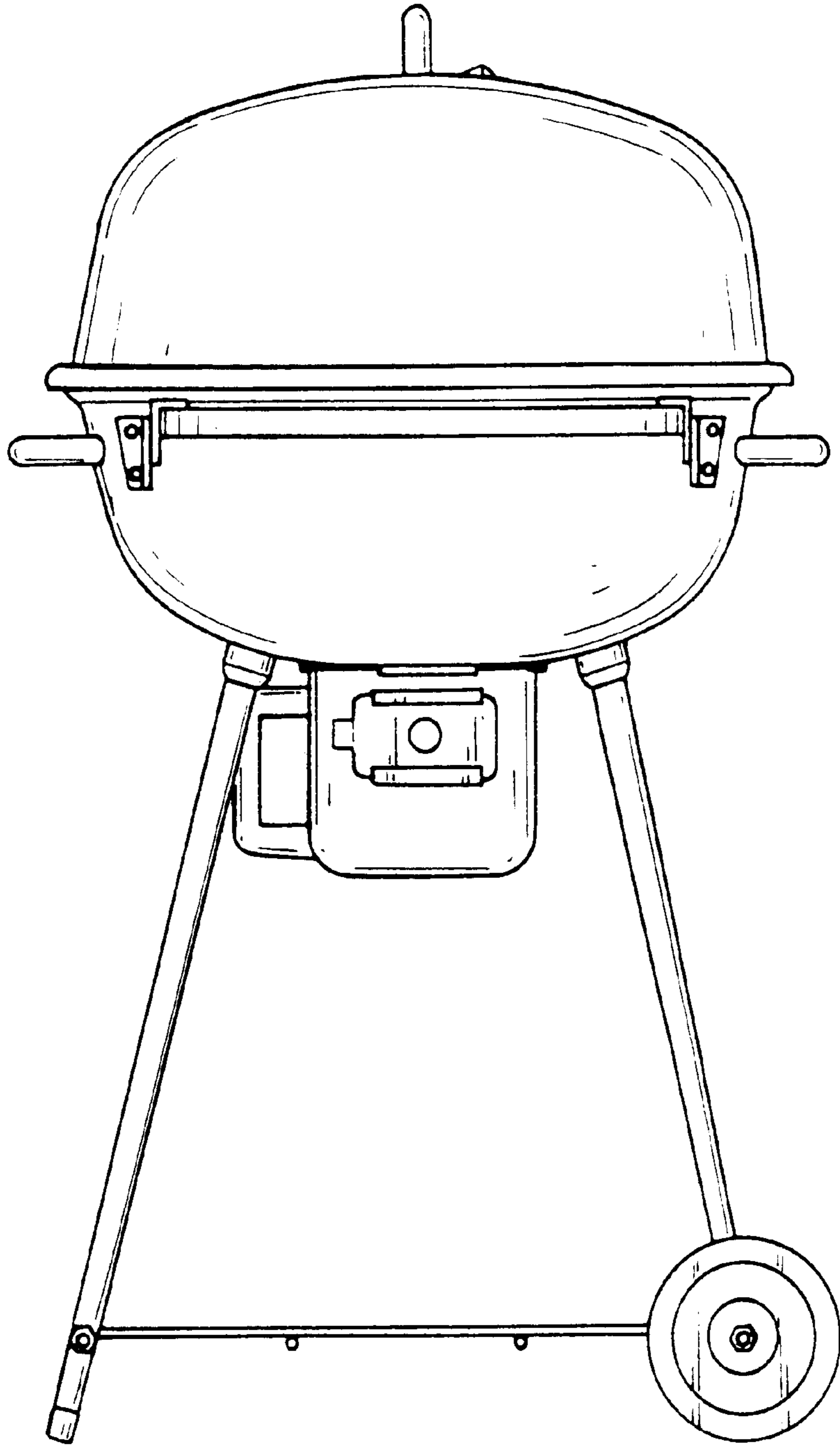


FIG. 5

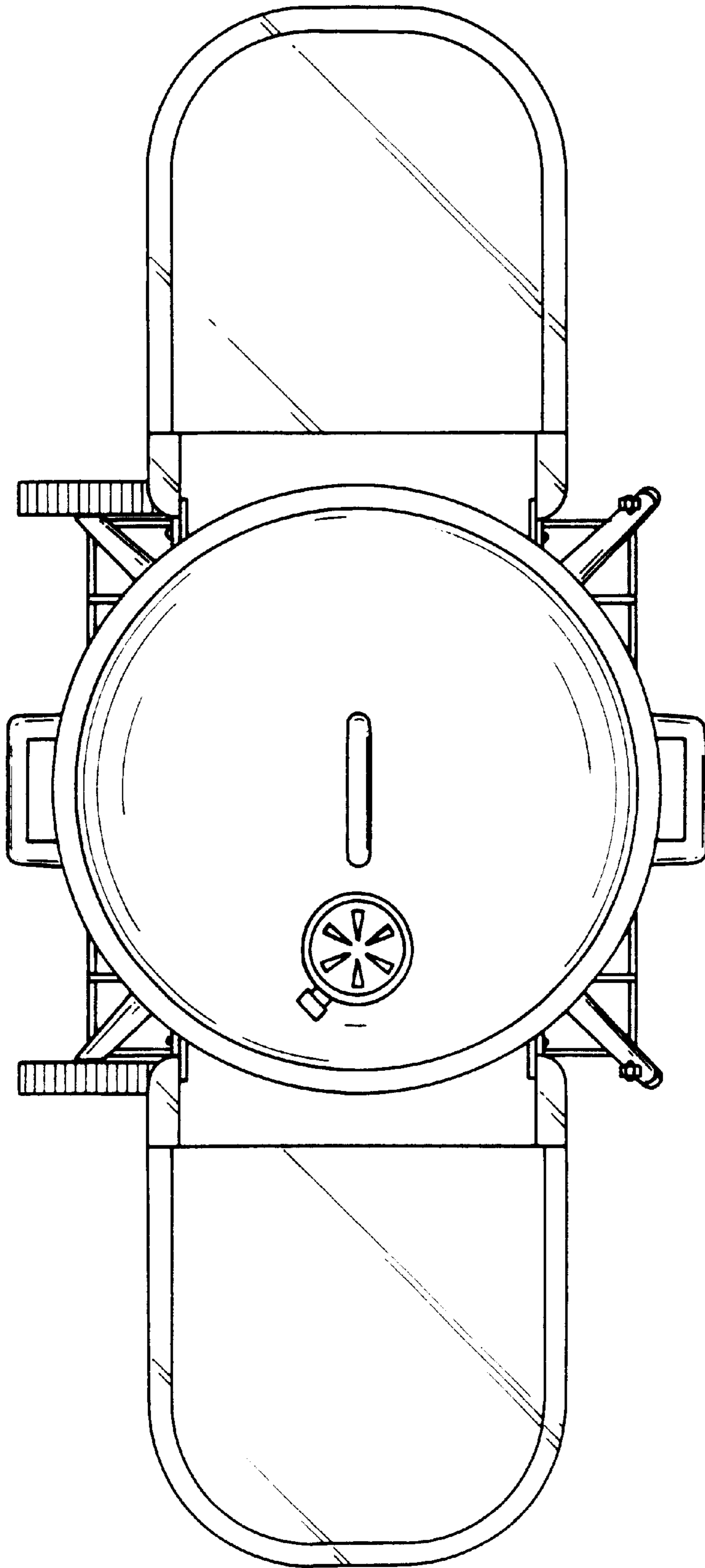


FIG. 6

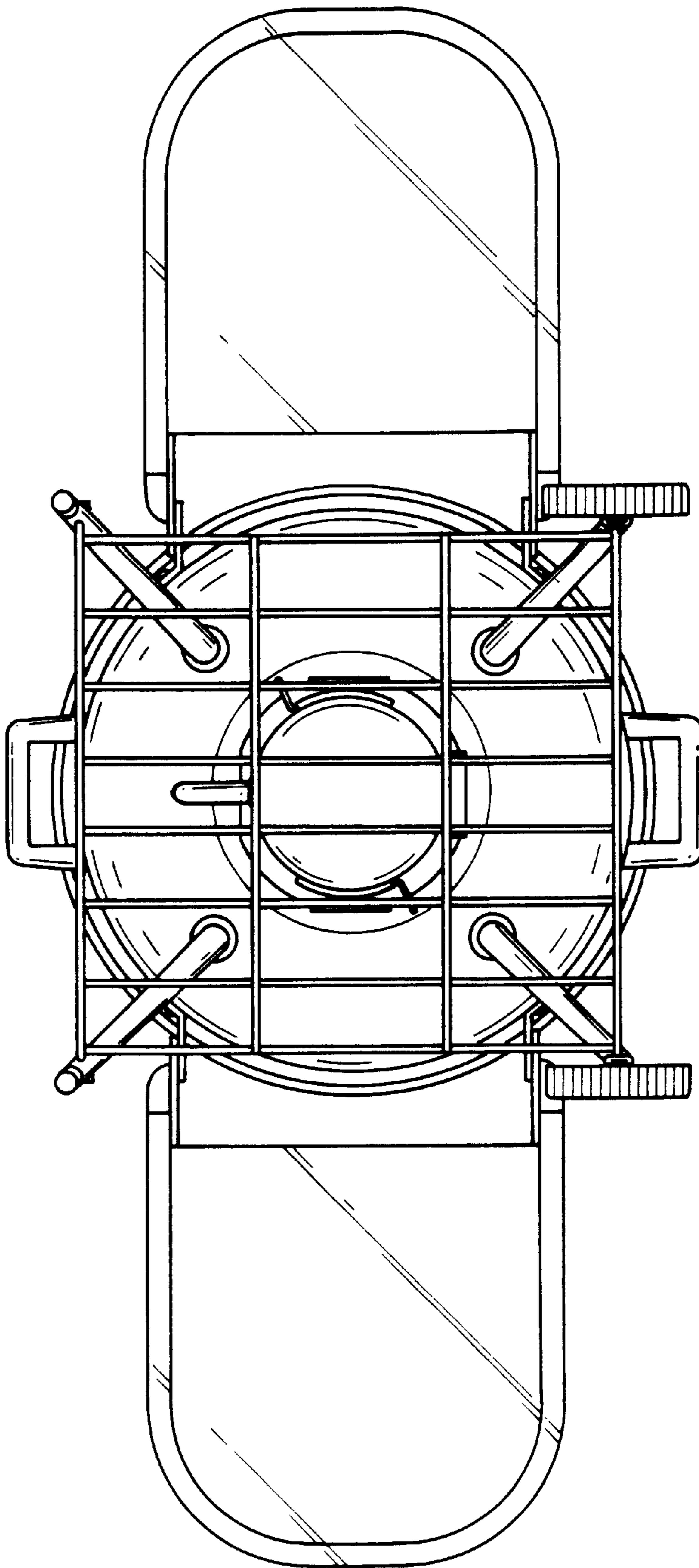


FIG. 7