



US00D485115S

(12) **United States Design Patent**  
**Barrett**

(10) **Patent No.:** **US D485,115 S**

(45) **Date of Patent:** **\*\* Jan. 13, 2004**

(54) **RACE CAR BARBECUE GRILL**

D436,284 S \* 1/2001 Mak ..... D7/332  
D442,818 S \* 5/2001 Cragg ..... D7/334

(75) Inventor: **Richard L. Barrett**, Riverside, MO (US)

\* cited by examiner

(73) Assignee: **Sports Grills & Smokers, LLC**,  
Riverside, MO (US)

*Primary Examiner*—Ruth McInroy  
(74) *Attorney, Agent, or Firm*—Chase Law Firm, L.C.

(\*\*) Term: **14 Years**

(57) **CLAIM**

The ornamental design for a race car barbecue grill, as shown and described.

(21) Appl. No.: **29/173,562**

(22) Filed: **Dec. 31, 2002**

**DESCRIPTION**

(51) **LOC (7) Cl.** ..... **07-02**

(52) **U.S. Cl.** ..... **D7/332**

(58) **Field of Search** ..... D7/332-337, 402-404;  
126/25 R, 25 A, 25 AA, 41 R, 29-30, 9 R,  
9 A, 9 B, 8; 99/419, 421 R

FIG. 1 is a perspective view of a barbecue grill showing my new design;  
FIG. 2 is a front elevational view thereof;  
FIG. 3 is a rear elevational view thereof;  
FIG. 4 is a right side elevational view thereof;  
FIG. 5 is a left side elevational view thereof;  
FIG. 6 is a top view thereof; and,  
FIG. 7 is a bottom view thereof.

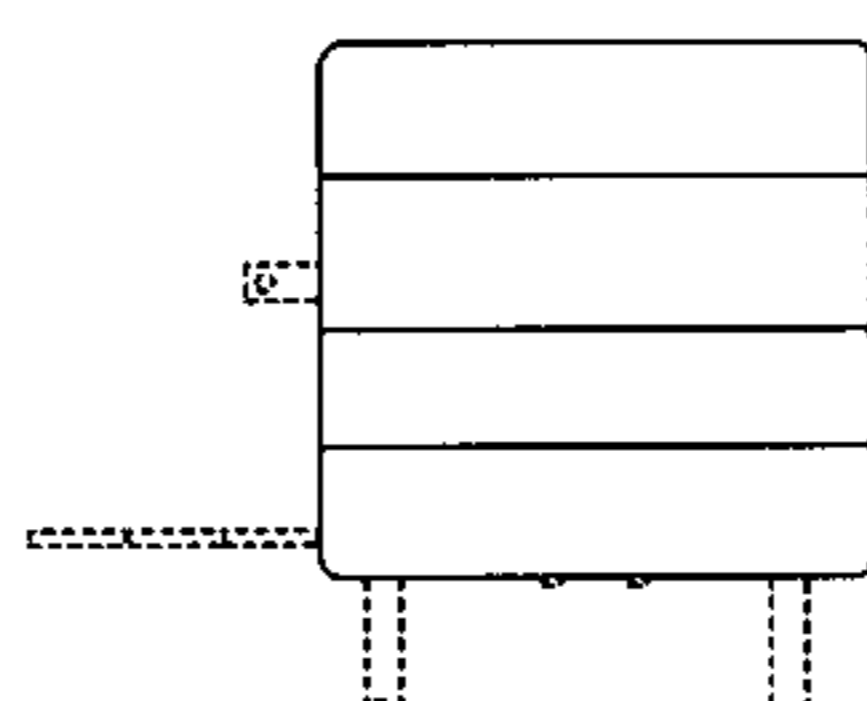
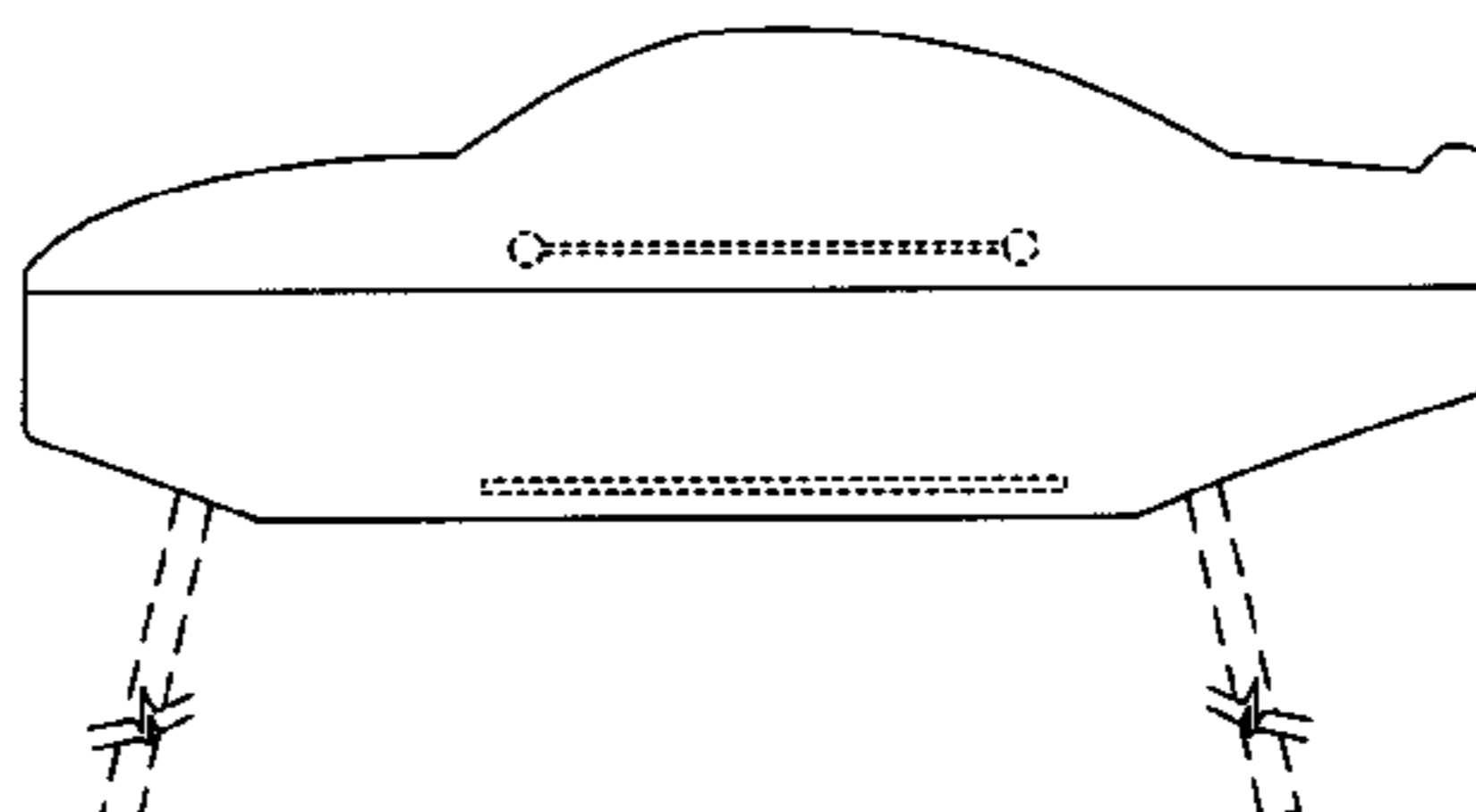
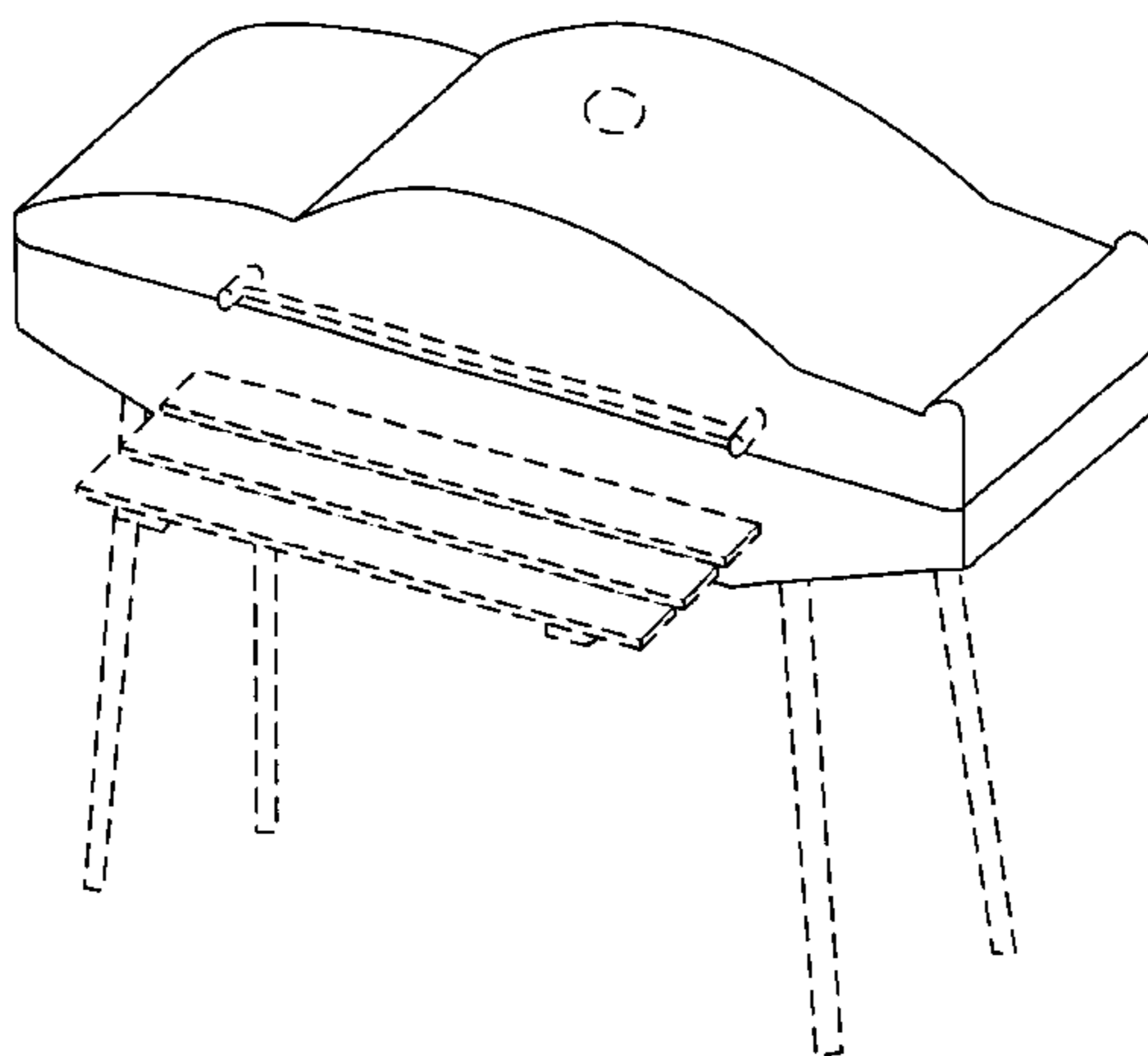
(56) **References Cited**

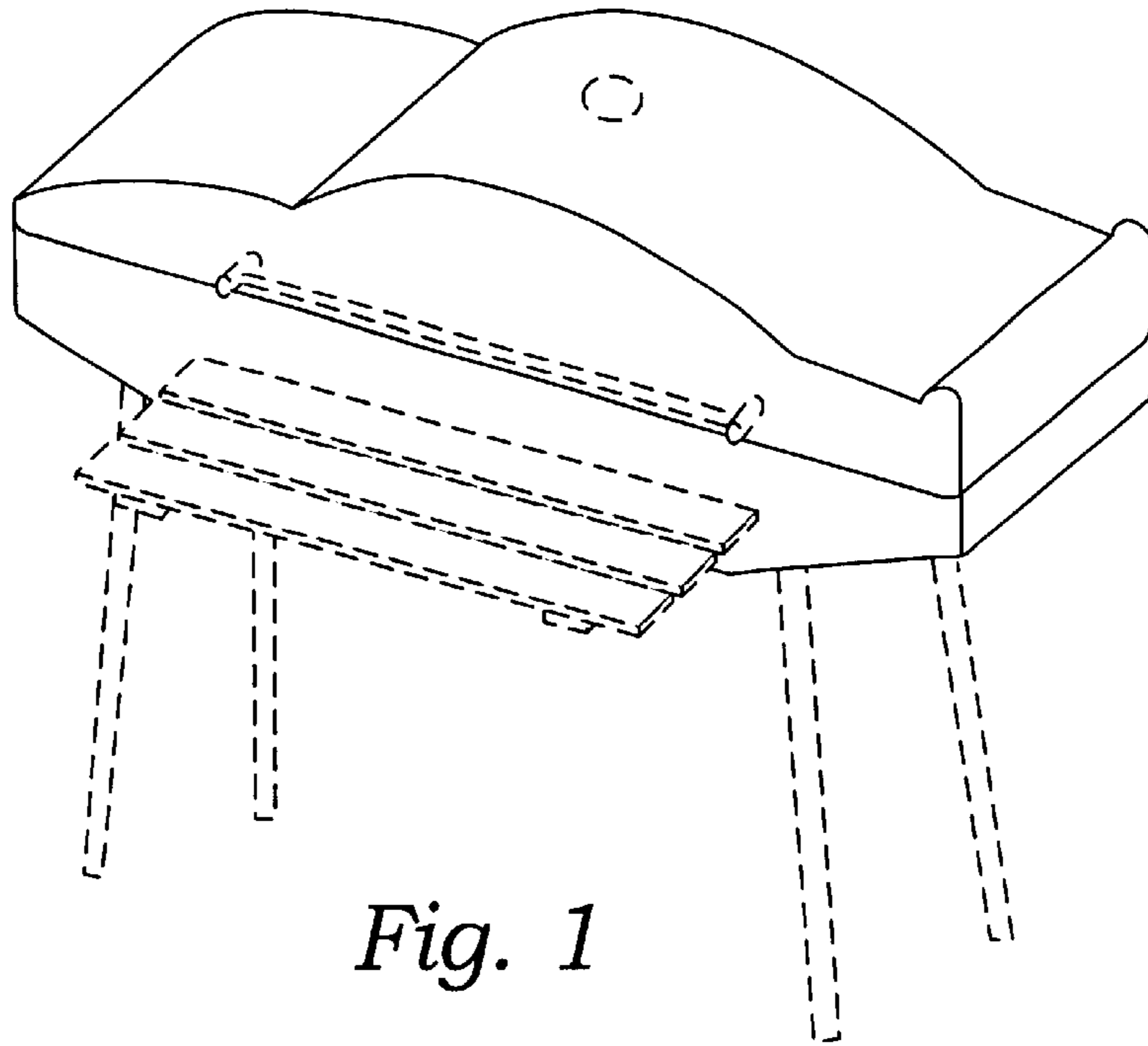
**U.S. PATENT DOCUMENTS**

D395,982 S \* 7/1998 Dunn et al. .... D7/402  
D396,592 S \* 8/1998 Roth ..... D6/597  
D429,944 S \* 8/2000 Alle ..... D7/332

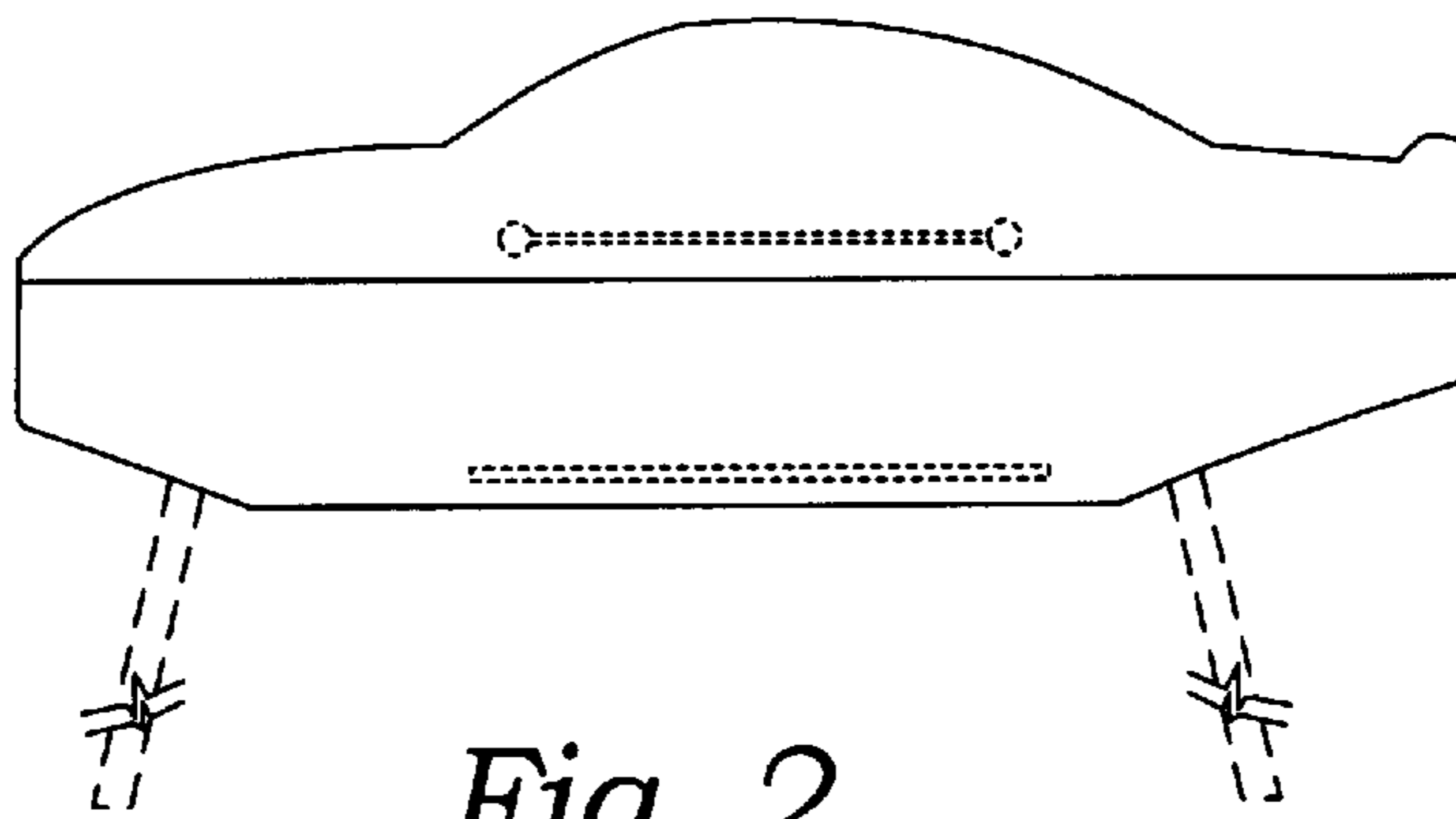
The details shown in broken lines in all views, are for illustrative purposes only, and form no part of the claimed design.

**1 Claim, 2 Drawing Sheets**

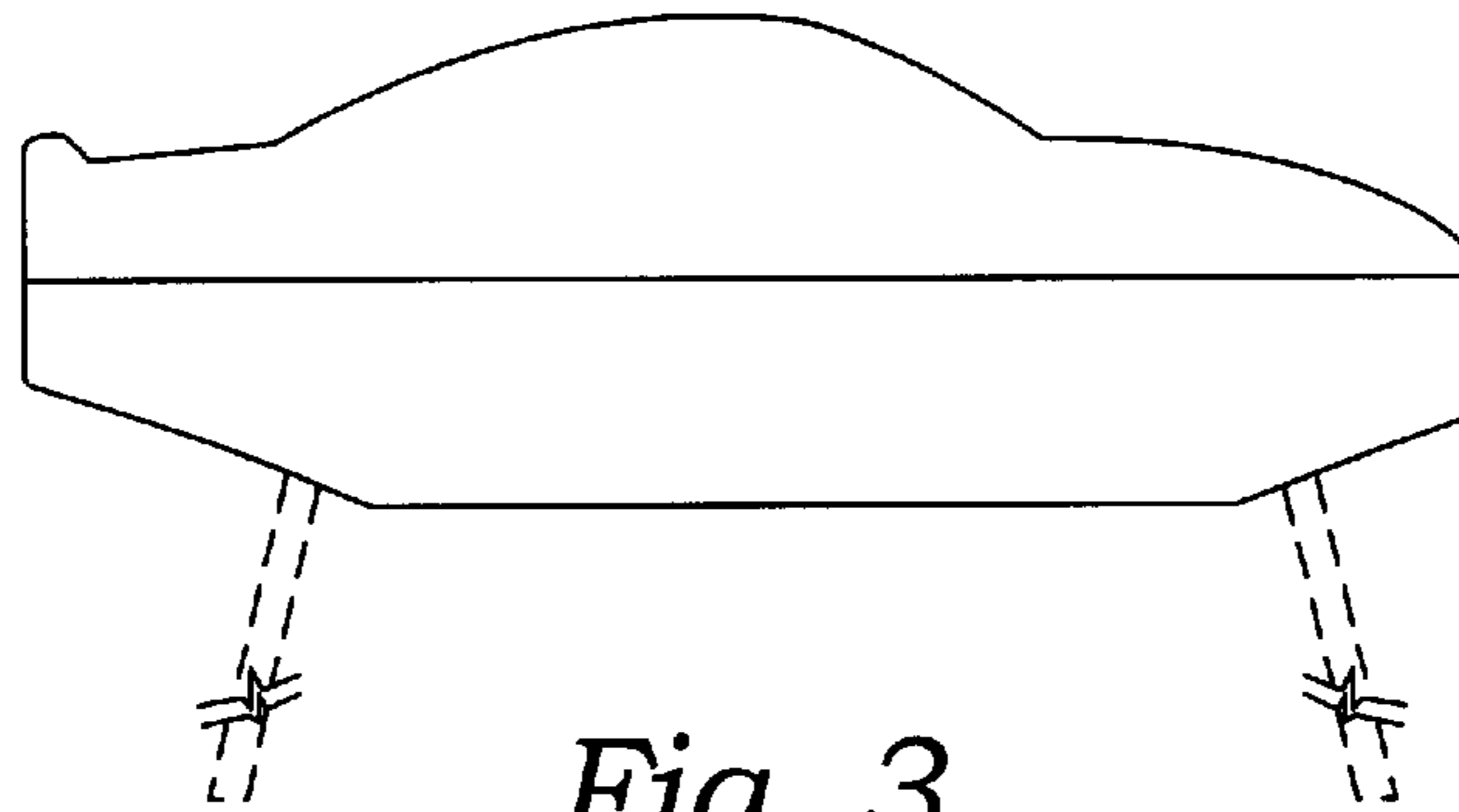




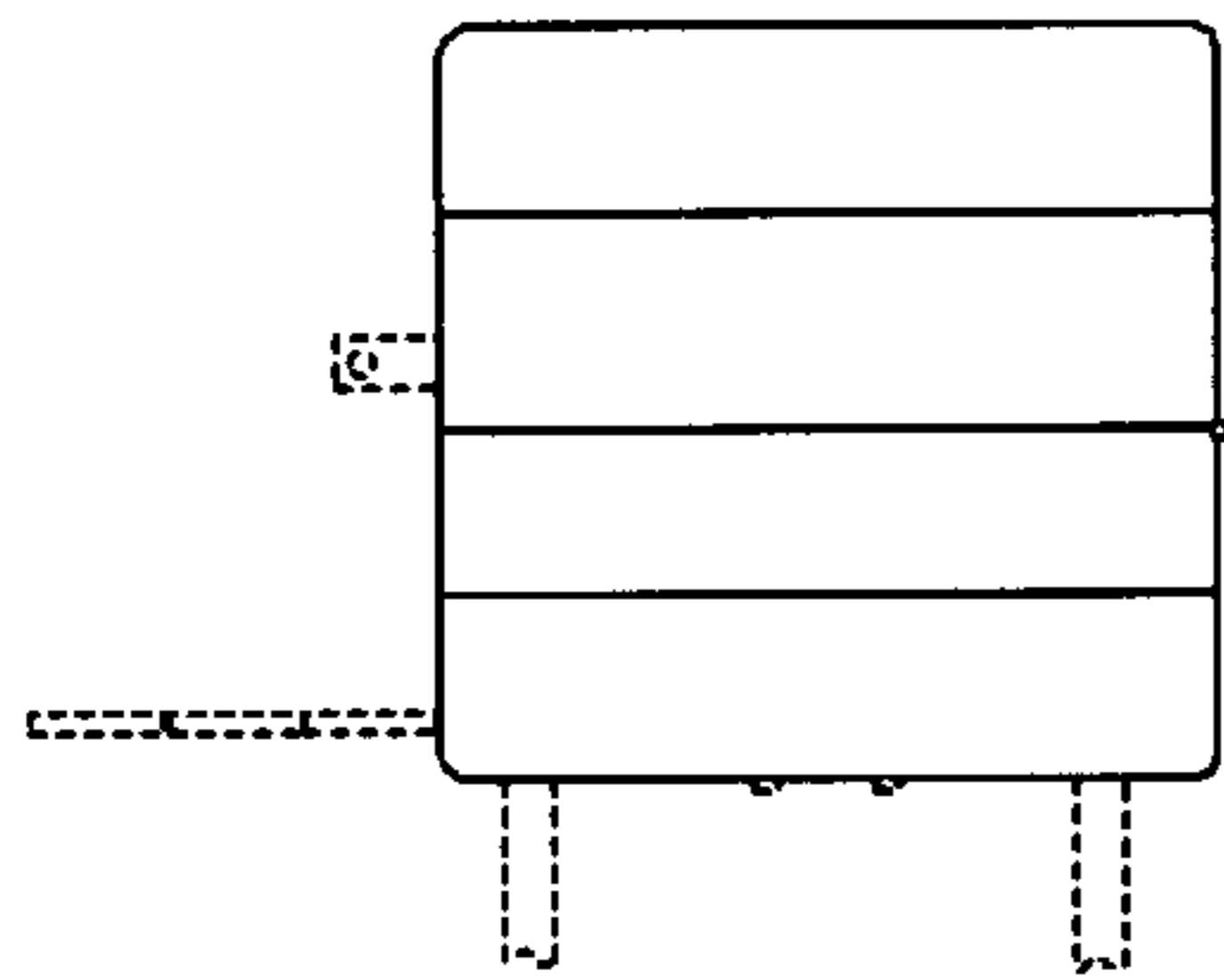
*Fig. 1*



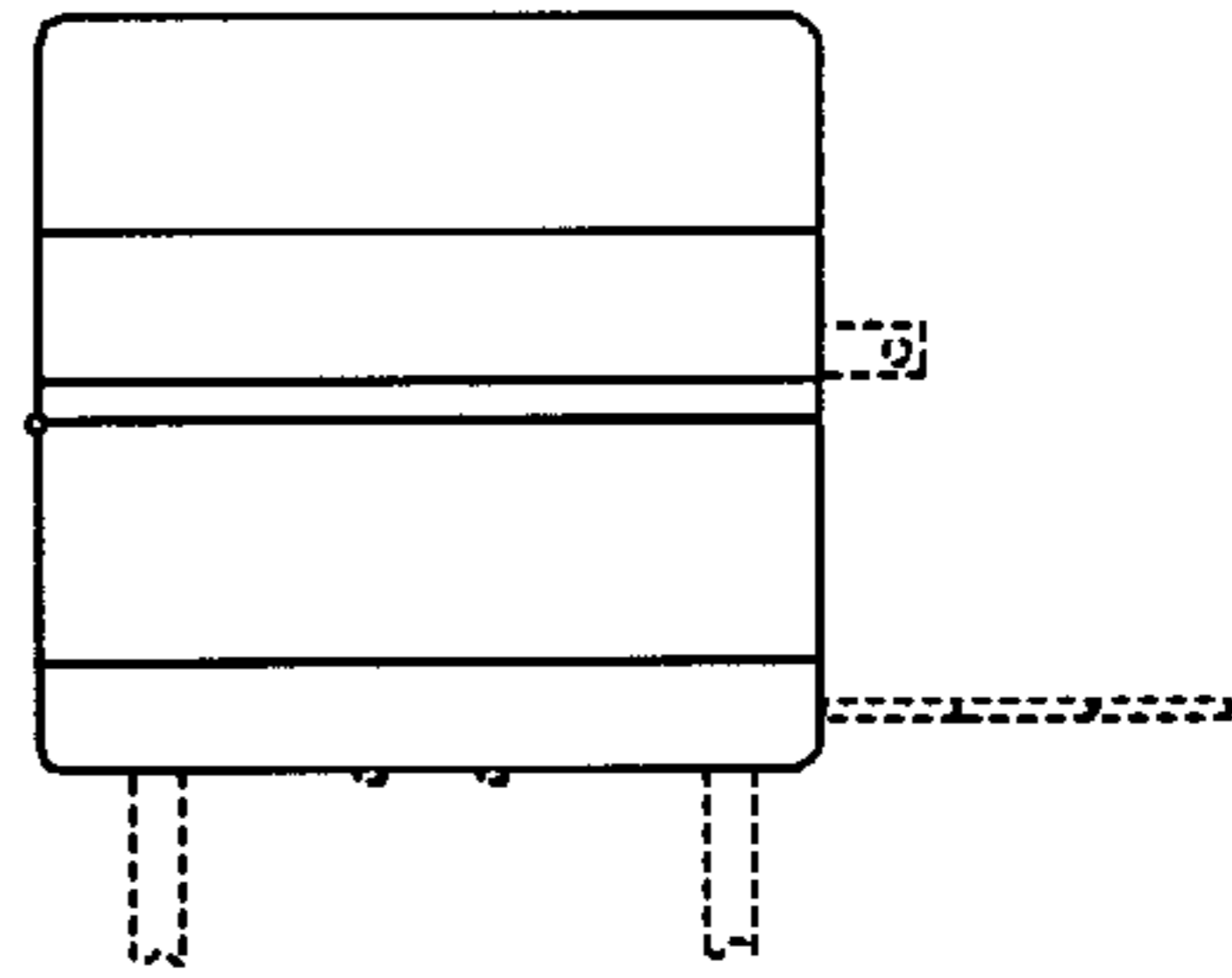
*Fig. 2*



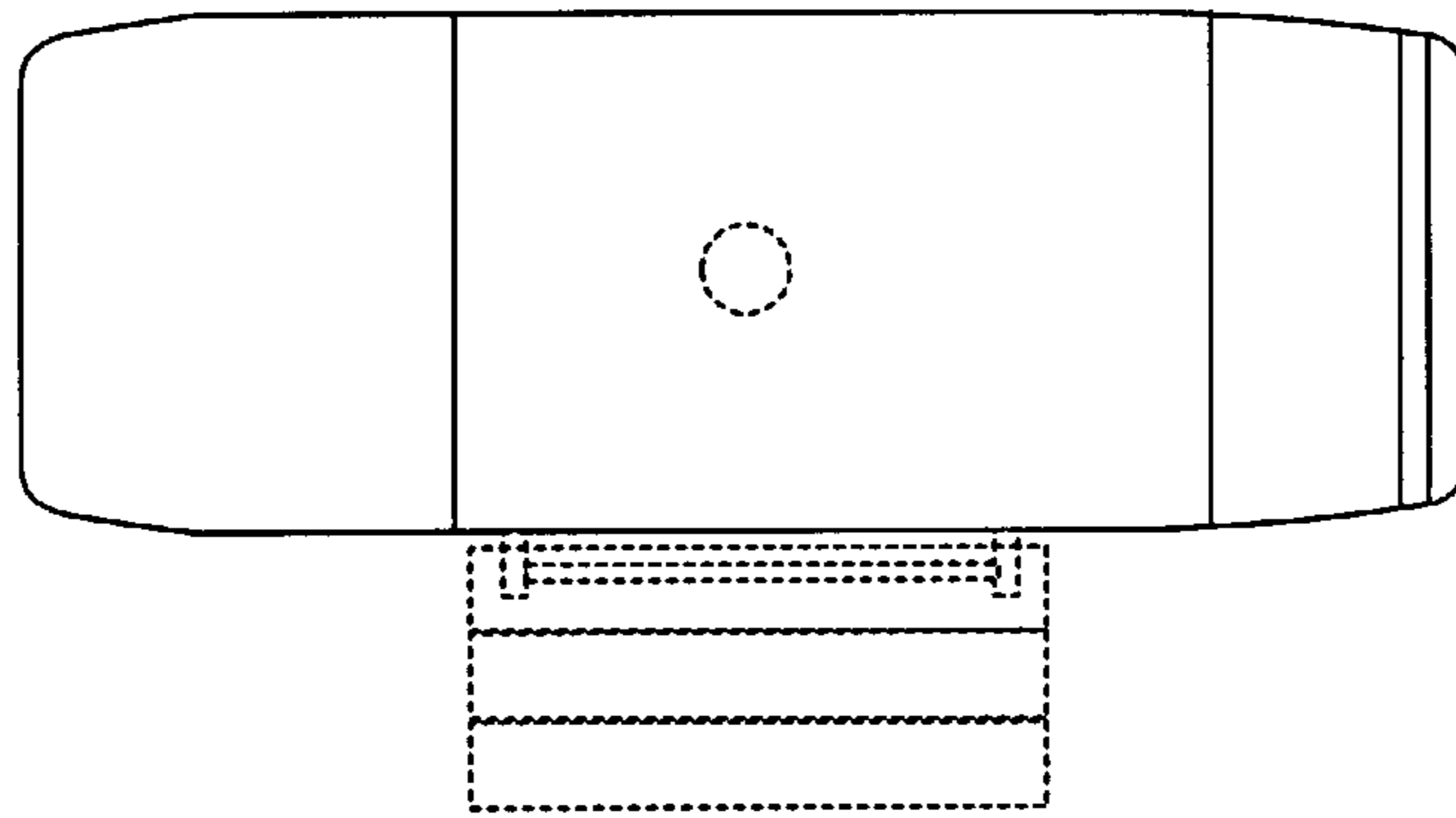
*Fig. 3*



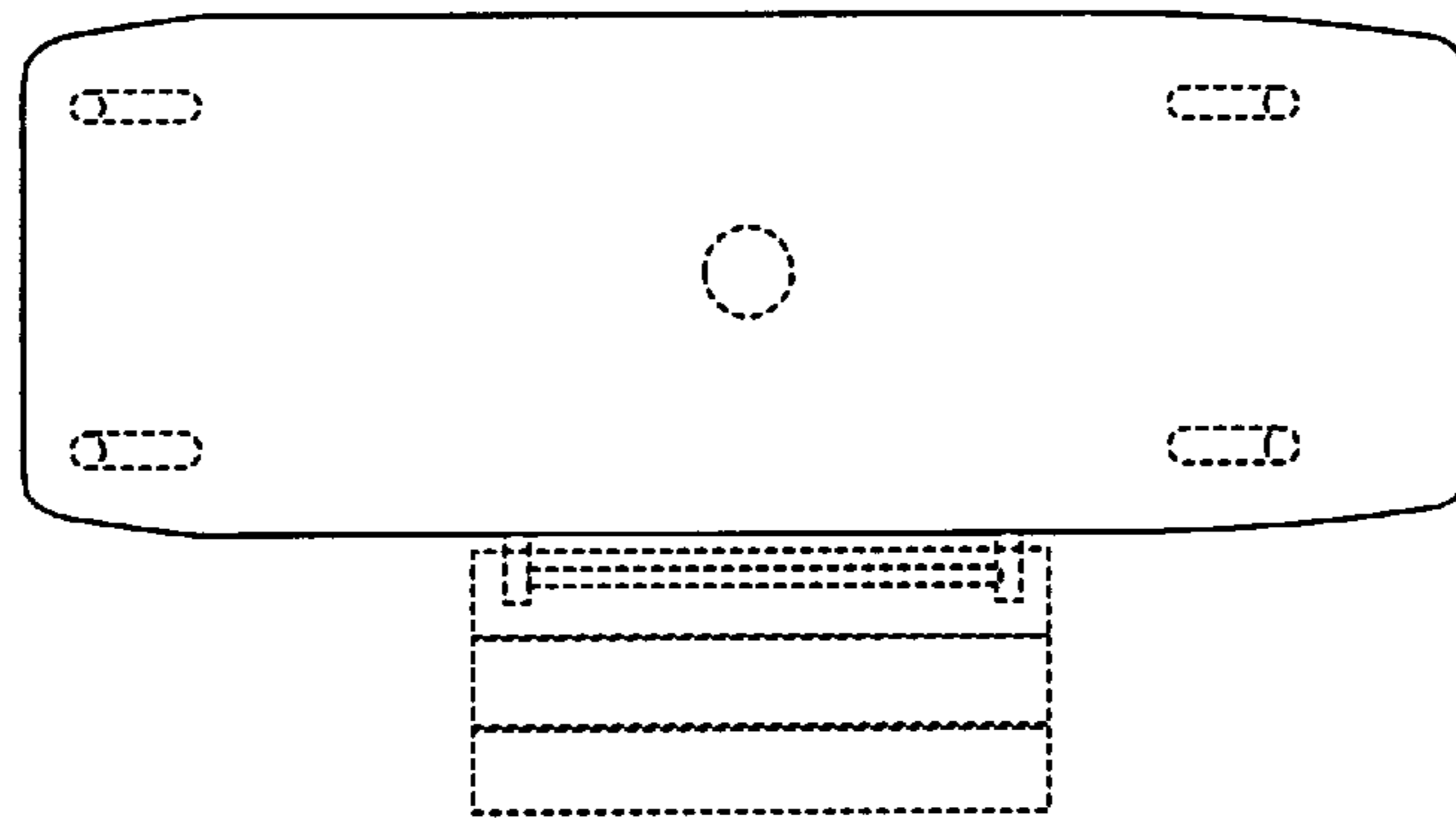
*Fig. 4*



*Fig. 5*



*Fig. 6*



*Fig. 7*