



US00D485113S

(12) **United States Design Patent**  
**Bogacz et al.**

(10) **Patent No.:** **US D485,113 S**

(45) **Date of Patent:** **\*\* Jan. 13, 2004**

(54) **CARTRIDGE PROTECTIVE CASE FOR A DATA STORAGE DISK**

(75) Inventors: **Chad Bogacz**, Arvada, CO (US);  
**Gregory D. Volan**, Longmont, CO (US);  
**Stephen A. Misuta**, Superior, CO (US)

(73) Assignee: **DPHI Acquisitions, Inc.**, Boulder, CO (US)

(\*\*) Term: **14 Years**

(21) Appl. No.: **29/163,408**

(22) Filed: **Jul. 3, 2002**

(51) **LOC (7) Cl.** ..... **06-04**

(52) **U.S. Cl.** ..... **D6/632; D6/633; D6/634; D6/635**

(58) **Field of Search** ..... D3/201, 217, 218, D3/226, 238, 247, 254, 257, 270, 272, 273, 276, 295, 303, 307, 215; D6/407, 408, 475, 626-635; D9/337, 424, 445, 454; 206/18, 307, 307.1, 308.1, 308.2, 308.3, 309-310, 311, 312, 313, 445, 749; 312/902, 9.9, 9.48, 9.55, 9.64, 9.47, 9.53, 328; 379/355; 383/18

(56) **References Cited**

**U.S. PATENT DOCUMENTS**

4,387,807	A	*	6/1983	Rosa	
D353,748	S	*	12/1994	Ferris et al.	D7/709
D358,254	S	*	5/1995	VanSkiver	D3/254
5,535,884	A	*	7/1996	Scott et al.	206/445
5,609,249	A	*	3/1997	Cheng	206/308.1
5,785,399	A	*	7/1998	Frankeny et al.	
D413,440	S	*	9/1999	Schurman	D3/282
D416,135	S	*	11/1999	Chen	D3/276
6,024,215	A	*	2/2000	Leung	206/308.1
D435,385	S	*	12/2000	Eskandry	D6/633
6,170,657	B1	*	1/2001	Allsop et al.	206/308.1

D448,167	S	*	9/2001	Pangerc et al.	D3/294
D454,750	S	*	3/2002	Bieda	D6/632
D455,038	S	*	4/2002	Yang	D6/632
D456,133	S	*	4/2002	Fiore, Jr.	D3/254
D462,520	S	*	9/2002	Snider	D3/282
6,547,066	B2	*	4/2003	Koch	206/308.1
2002/0027090	A1	*	3/2002	Sankey et al.	
2003/0010664	A1	*	1/2003	Belin	206/425
2003/0042154	A1	*	3/2003	Koch	

\* cited by examiner

*Primary Examiner*—Celia Murphy

(74) *Attorney, Agent, or Firm*—MacPherson Kwok Chen & Heid LLP

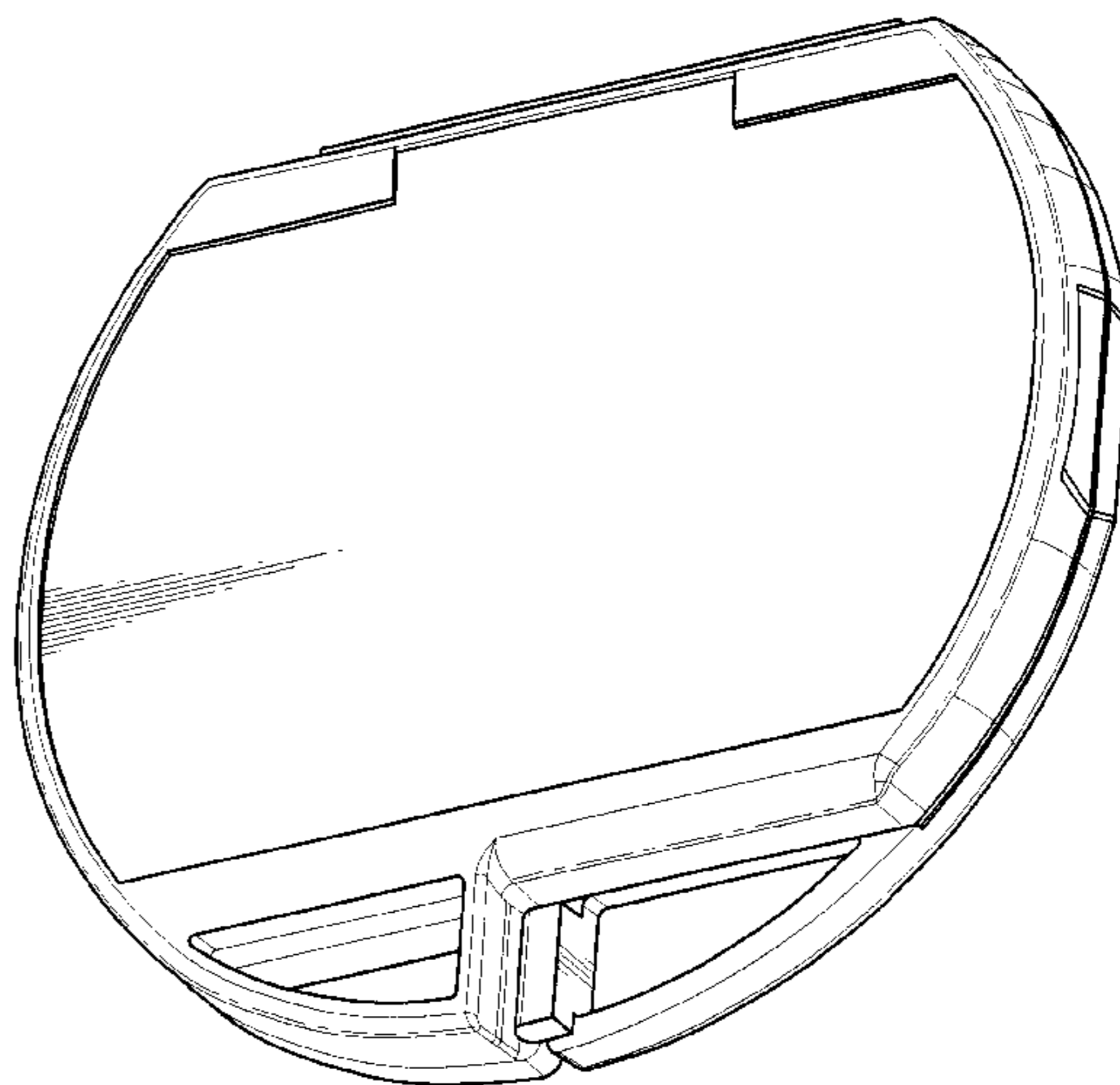
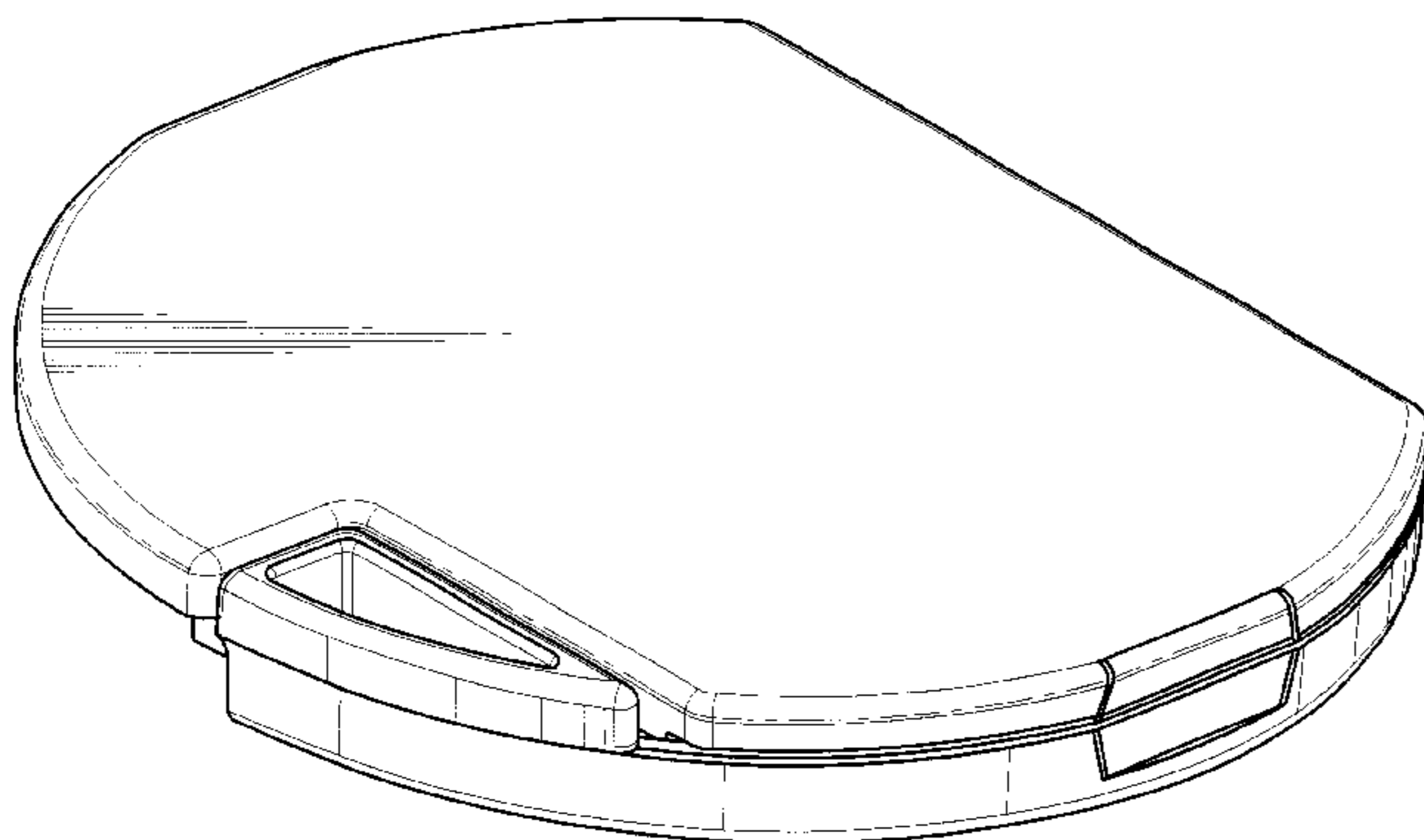
(57) **CLAIM**

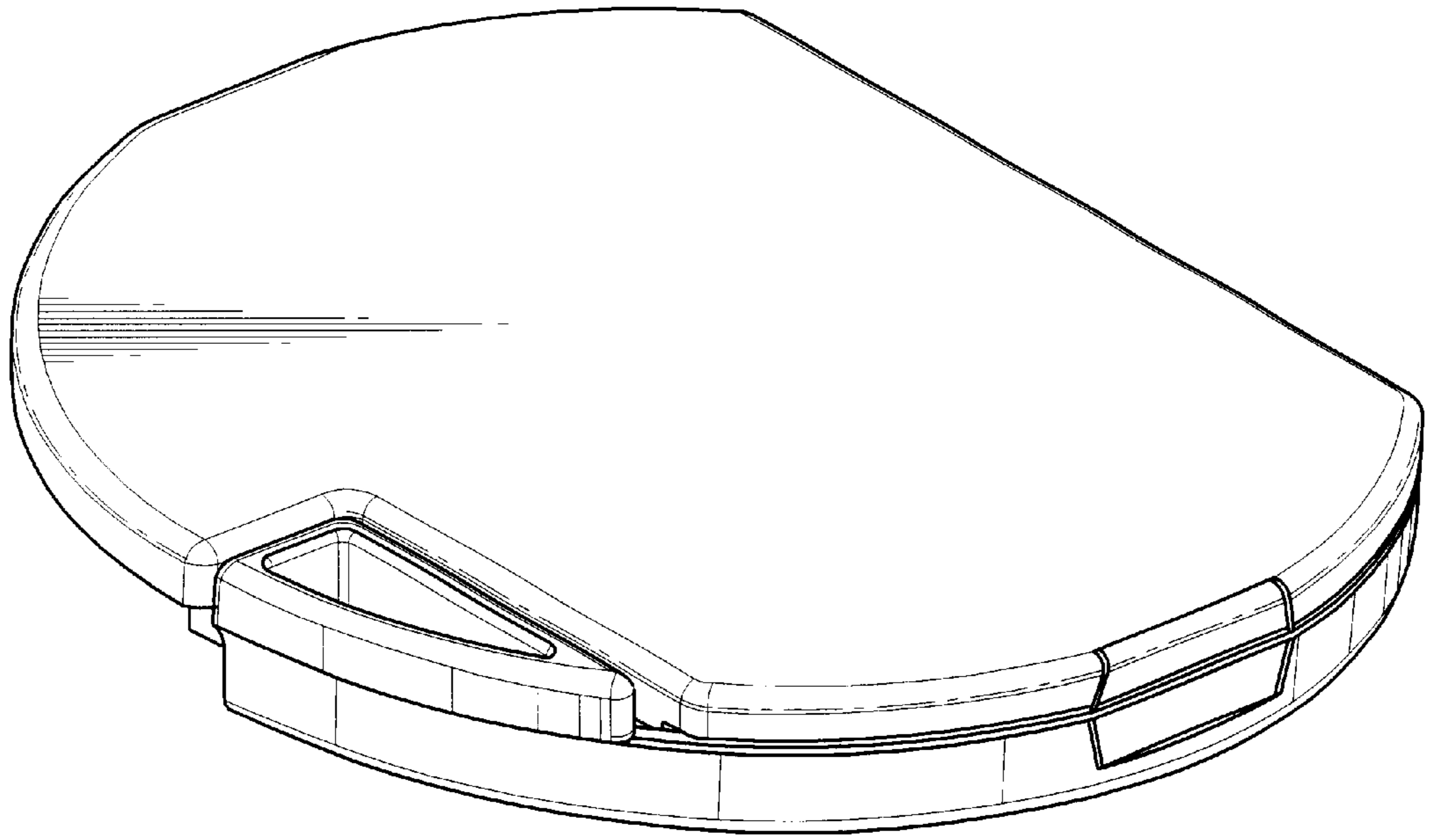
The ornamental design for a cartridge protective case for a data storage disk, as shown and described.

**DESCRIPTION**

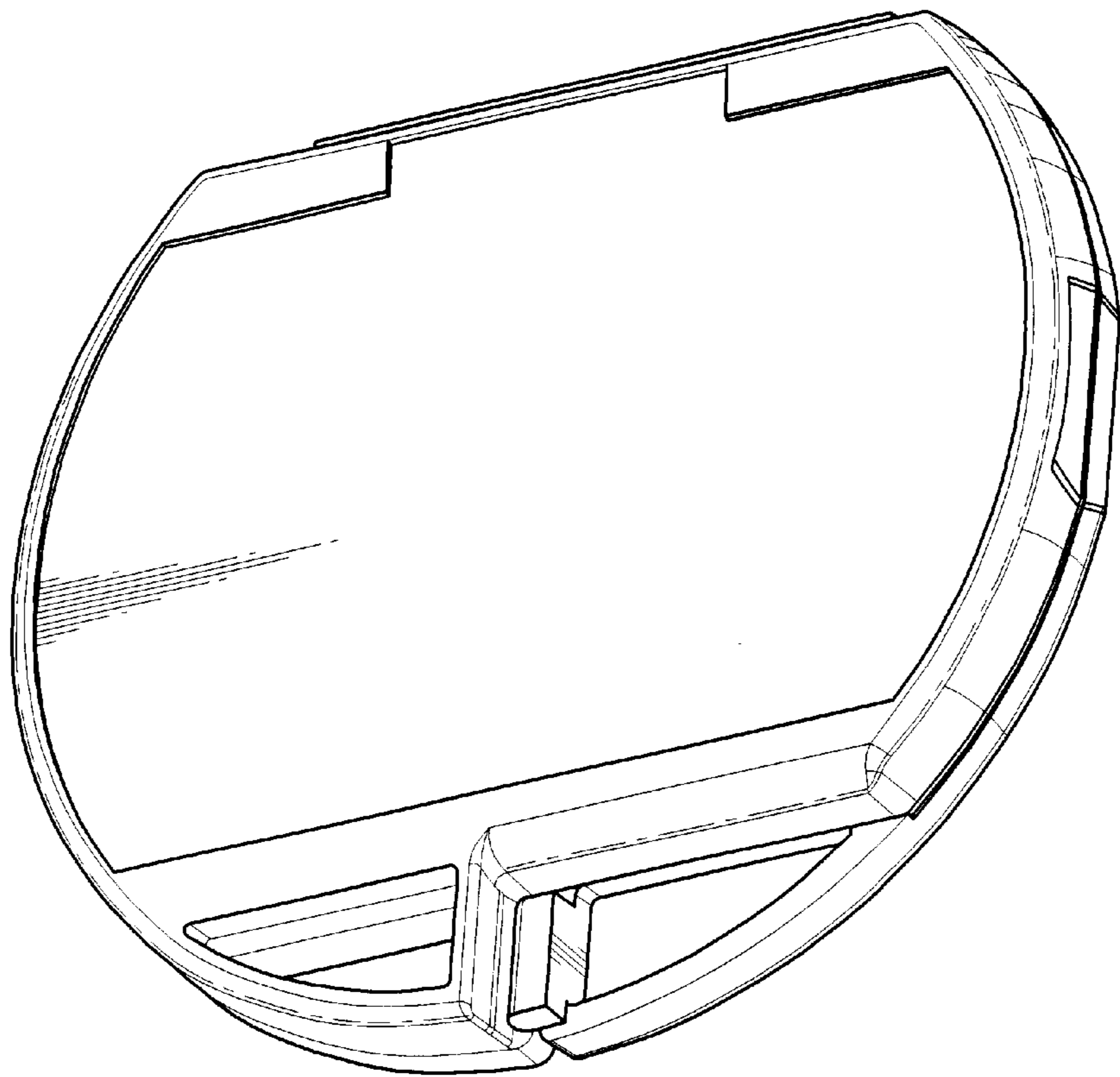
FIG. 1 is a front right elevational view of a cartridge protective case for a data storage disk showing our new design in a closed position;  
 FIG. 2 is a bottom left elevational view thereof;  
 FIG. 3 is a top plan view thereof;  
 FIG. 4 is a bottom plan view thereof;  
 FIG. 5 is a right edge view thereof;  
 FIG. 6 is a left edge view thereof;  
 FIG. 7 is a front edge view thereof;  
 FIG. 8 is a back edge view thereof;  
 FIG. 9 is a front left elevational view thereof; and,  
 FIG. 10 is another front left elevational view thereof.  
 FIG. 11 is a front left elevational view of the cartridge protective case for a data storage disk in an open position;  
 FIG. 12 is a bottom left elevational view thereof;  
 FIG. 13 is a top plan view thereof;  
 FIG. 14 is a bottom plan view thereof;  
 FIG. 15 is a left edge view thereof; and,  
 FIG. 16 is a front edge view thereof.

**1 Claim, 9 Drawing Sheets**

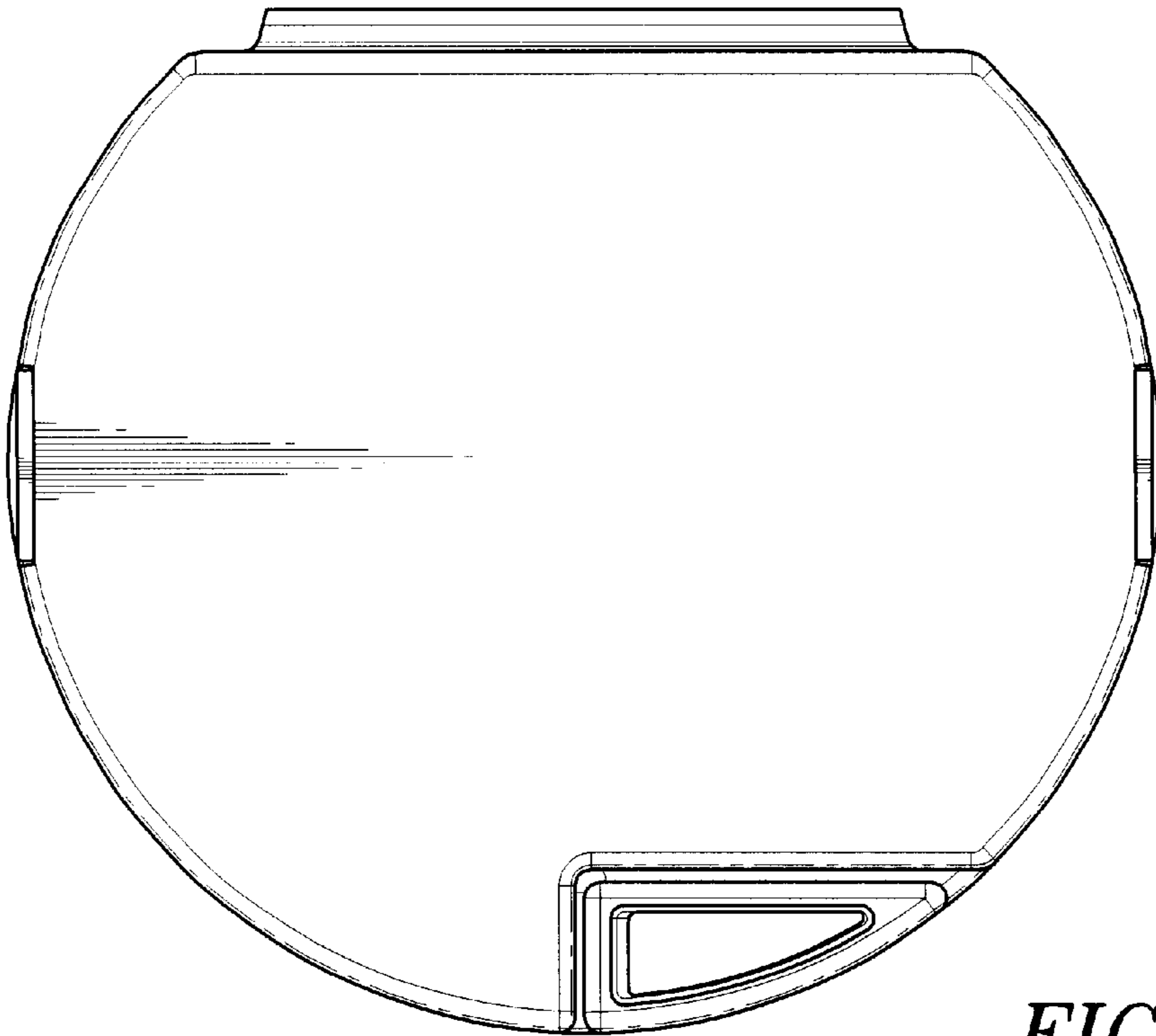




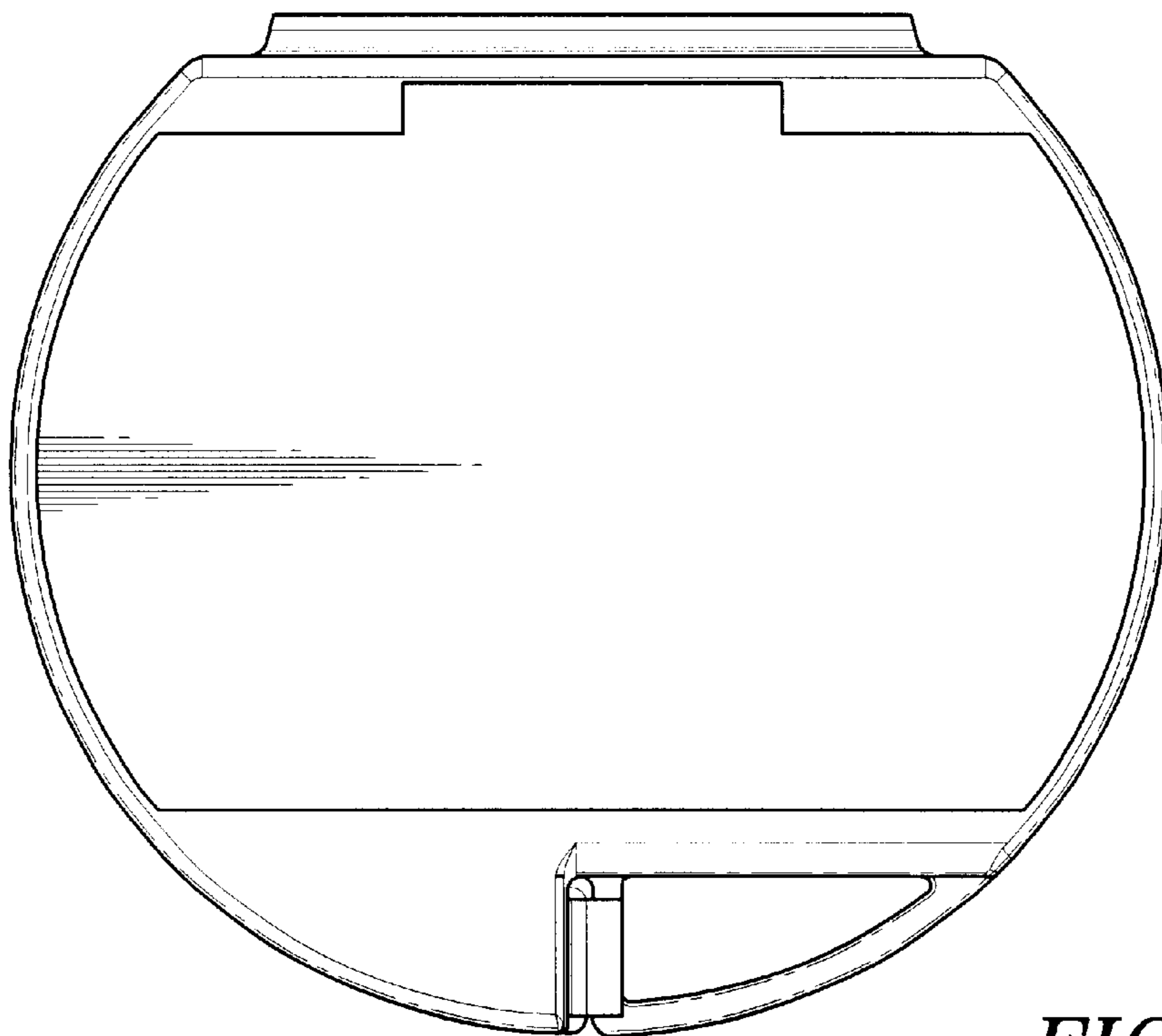
*FIG. 1*



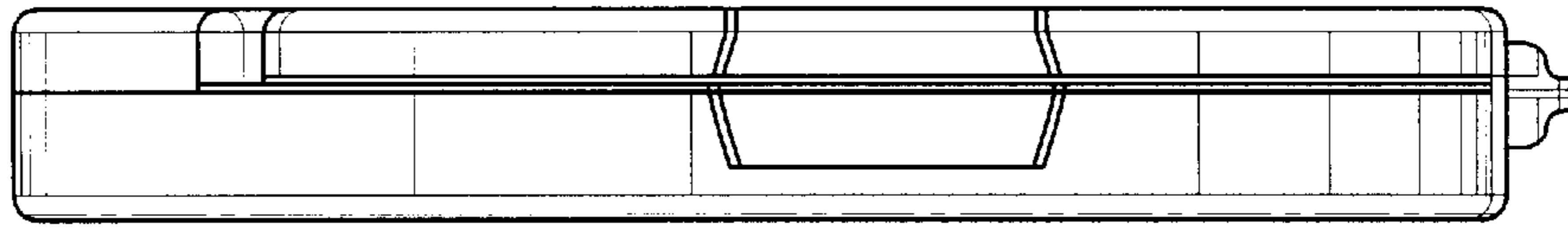
*FIG. 2*



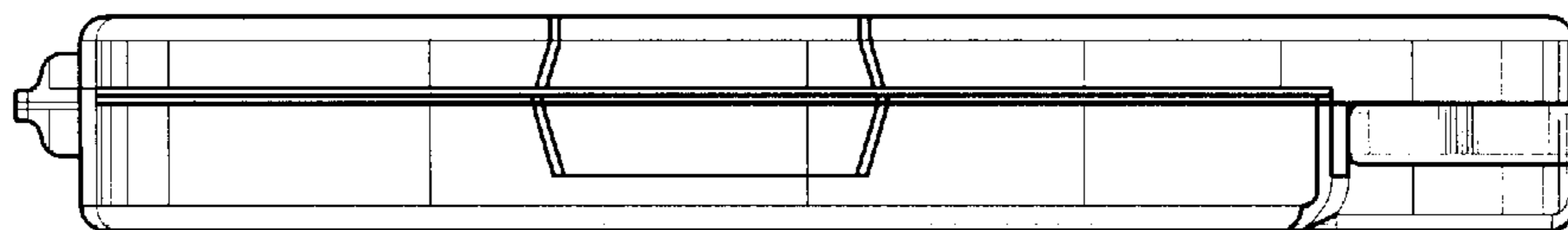
*FIG. 3*



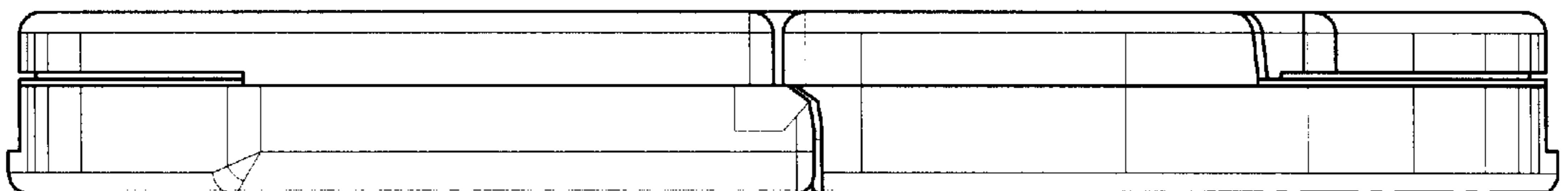
*FIG. 4*



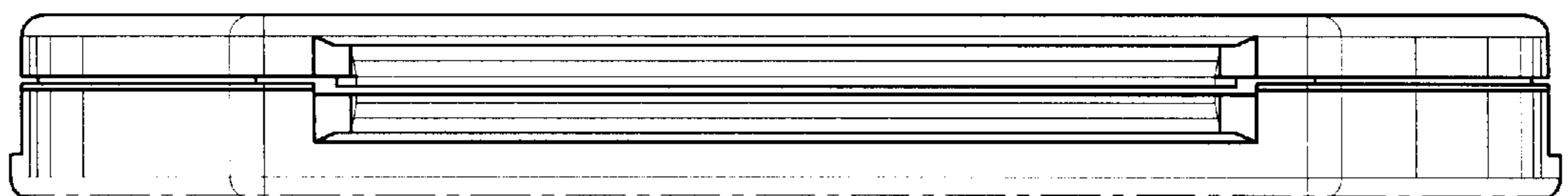
*FIG. 5*



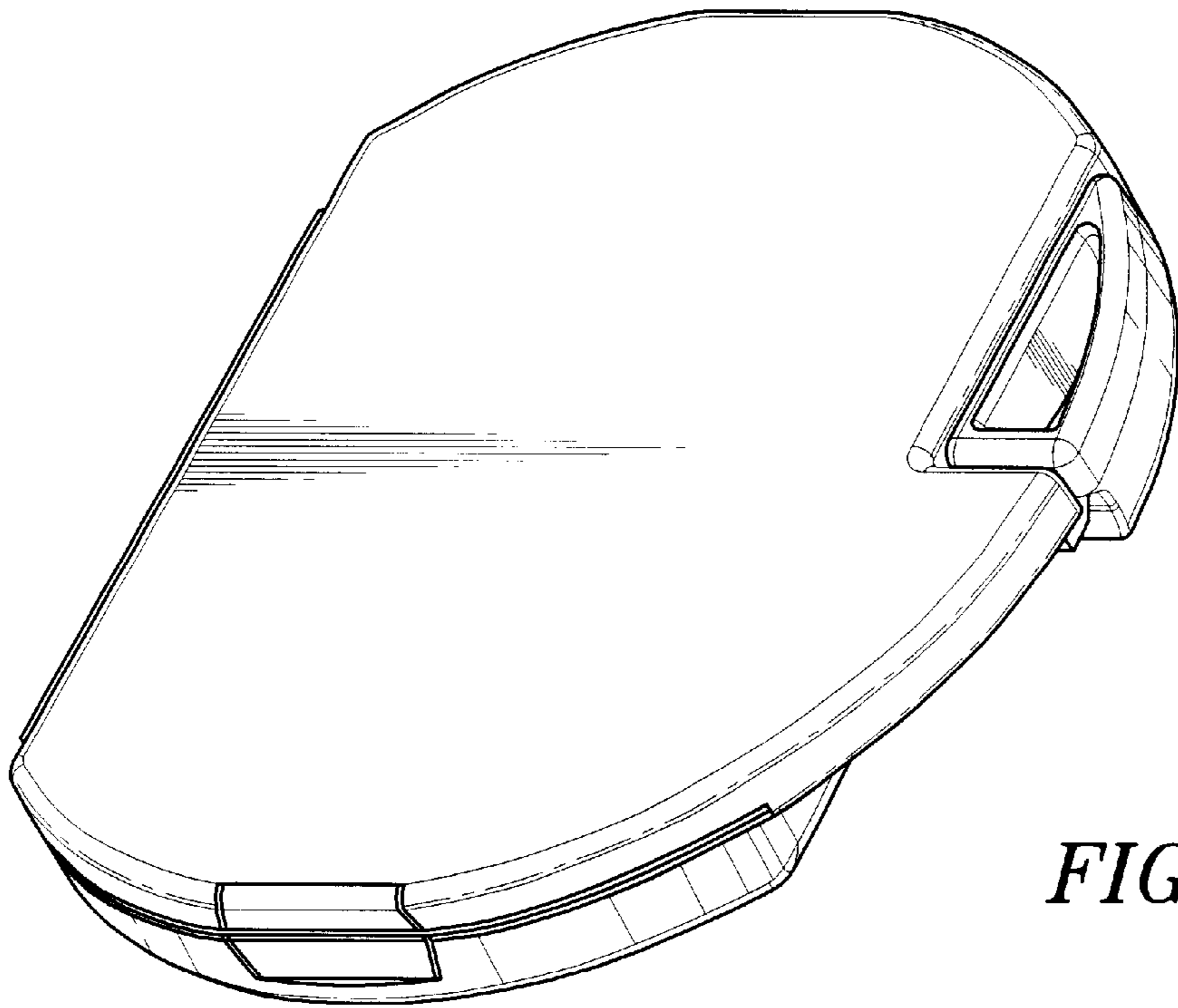
*FIG. 6*



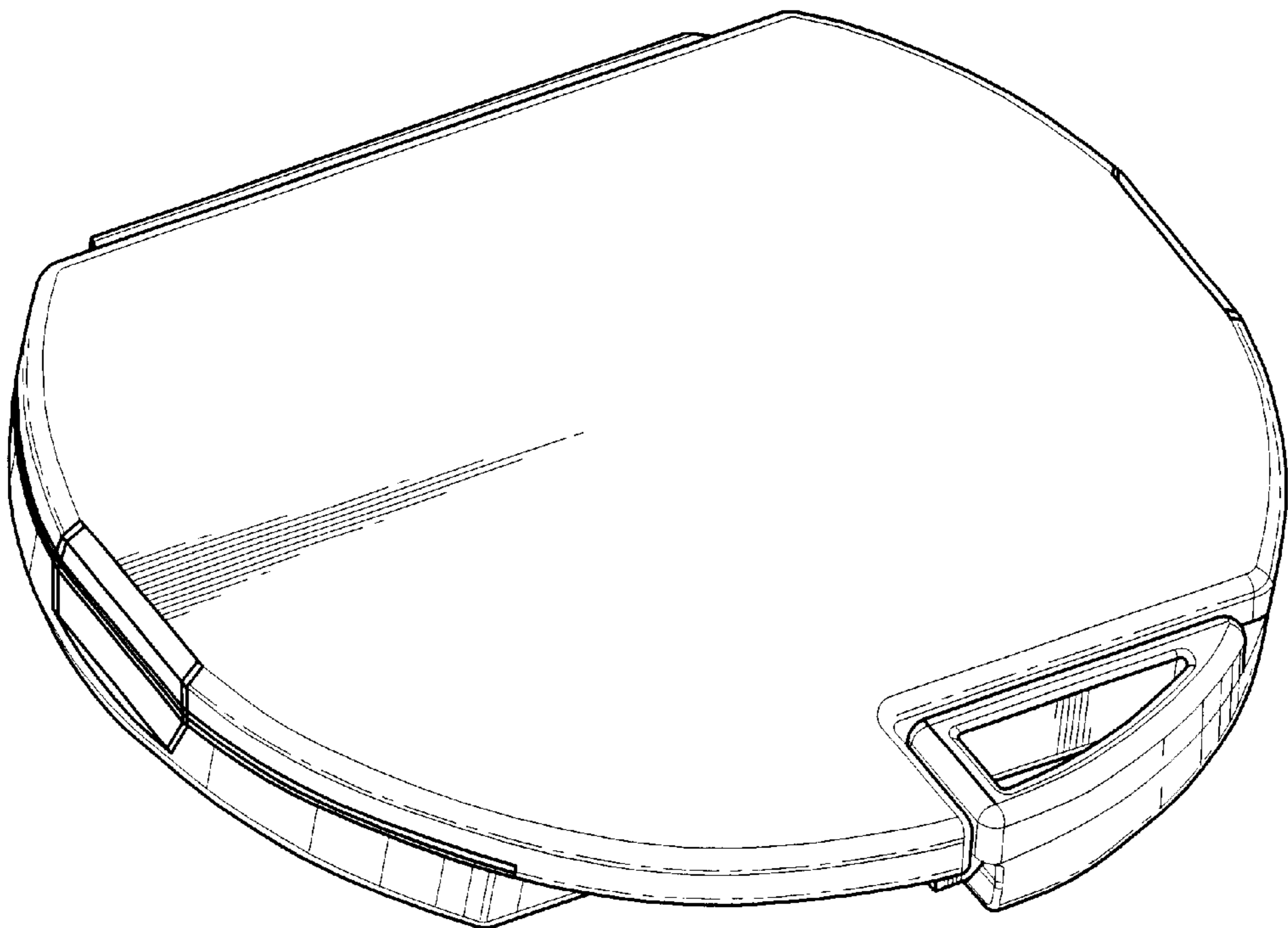
*FIG. 7*



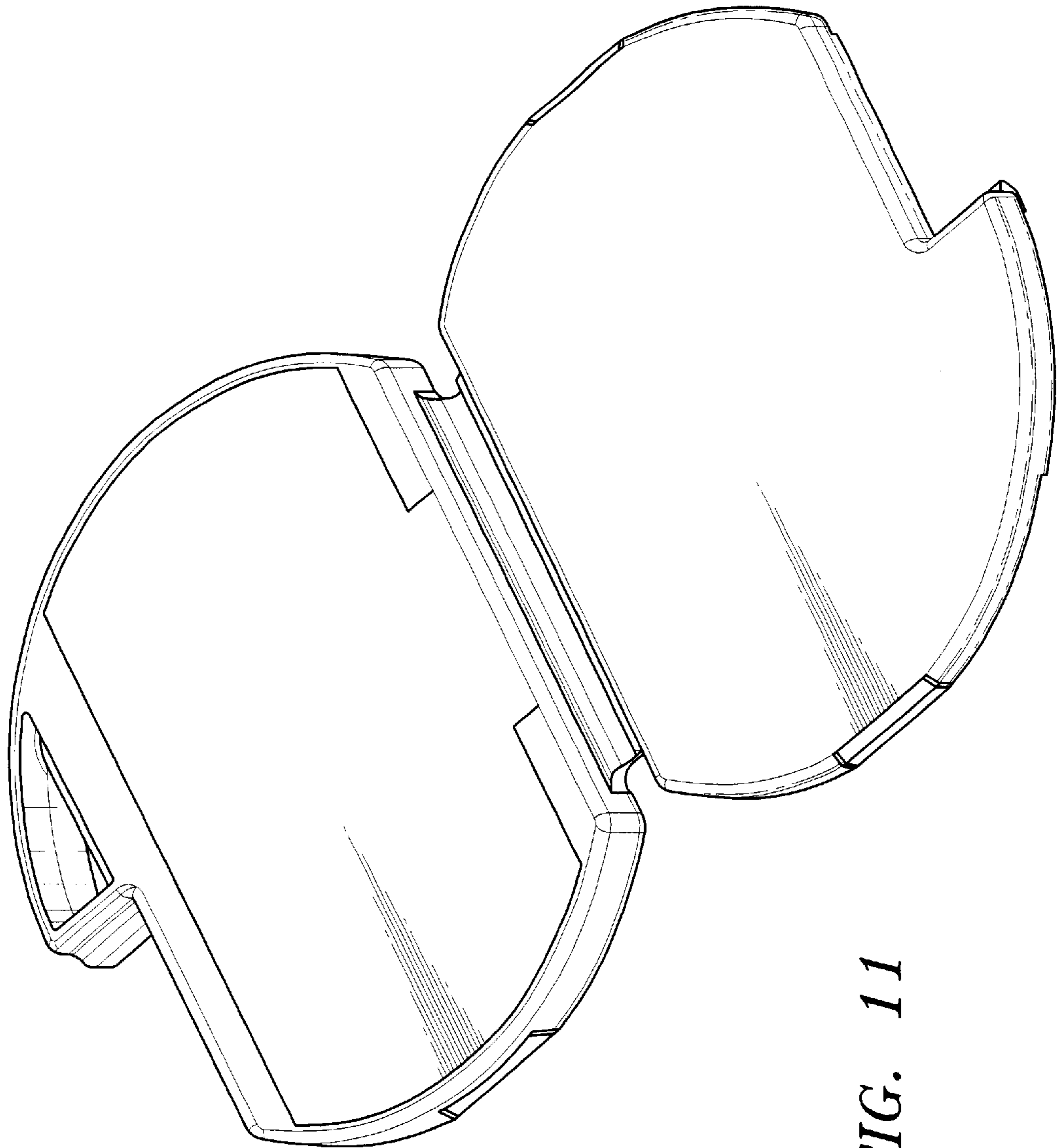
*FIG. 8*



*FIG. 9*



*FIG. 10*



*FIG. 11*

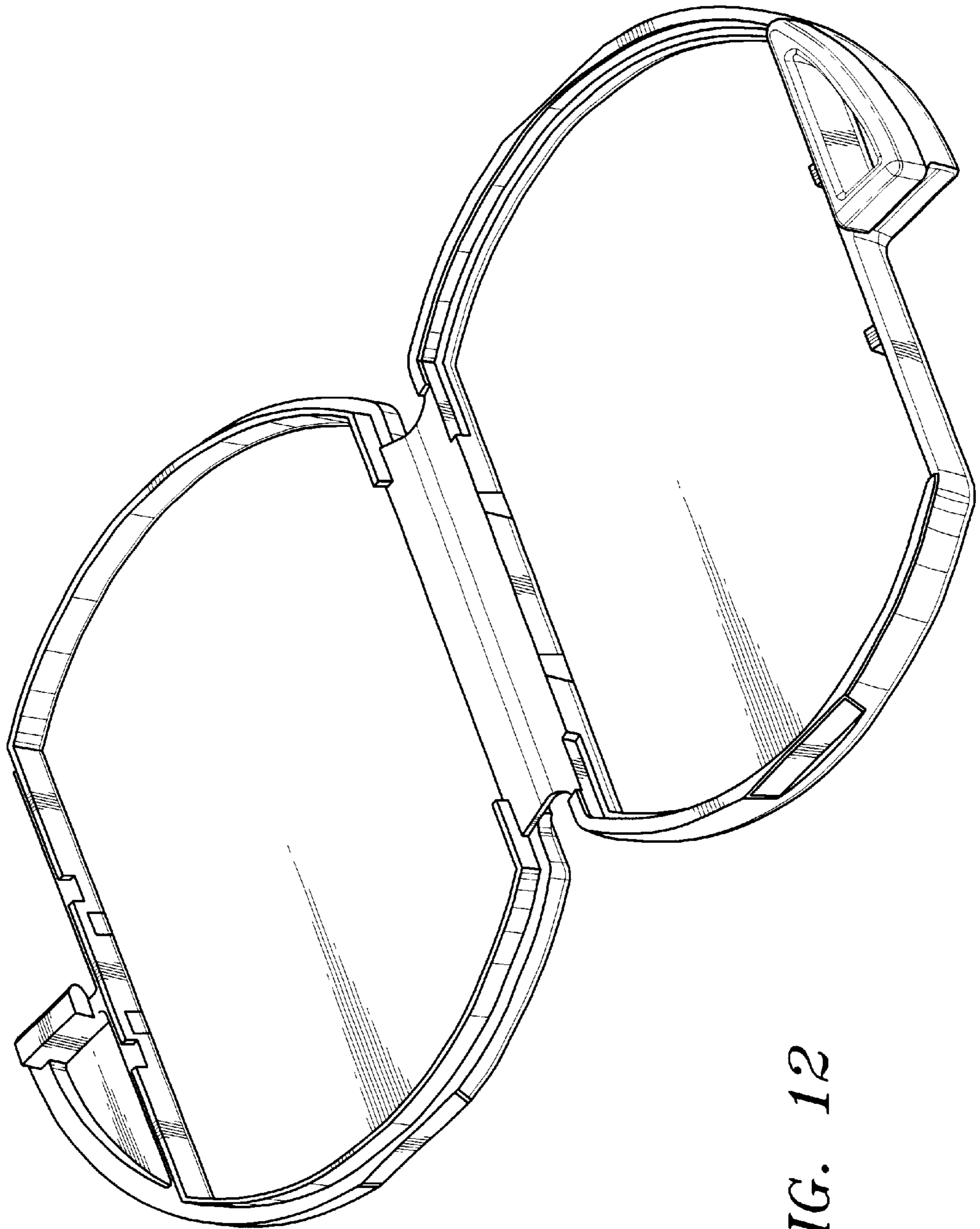
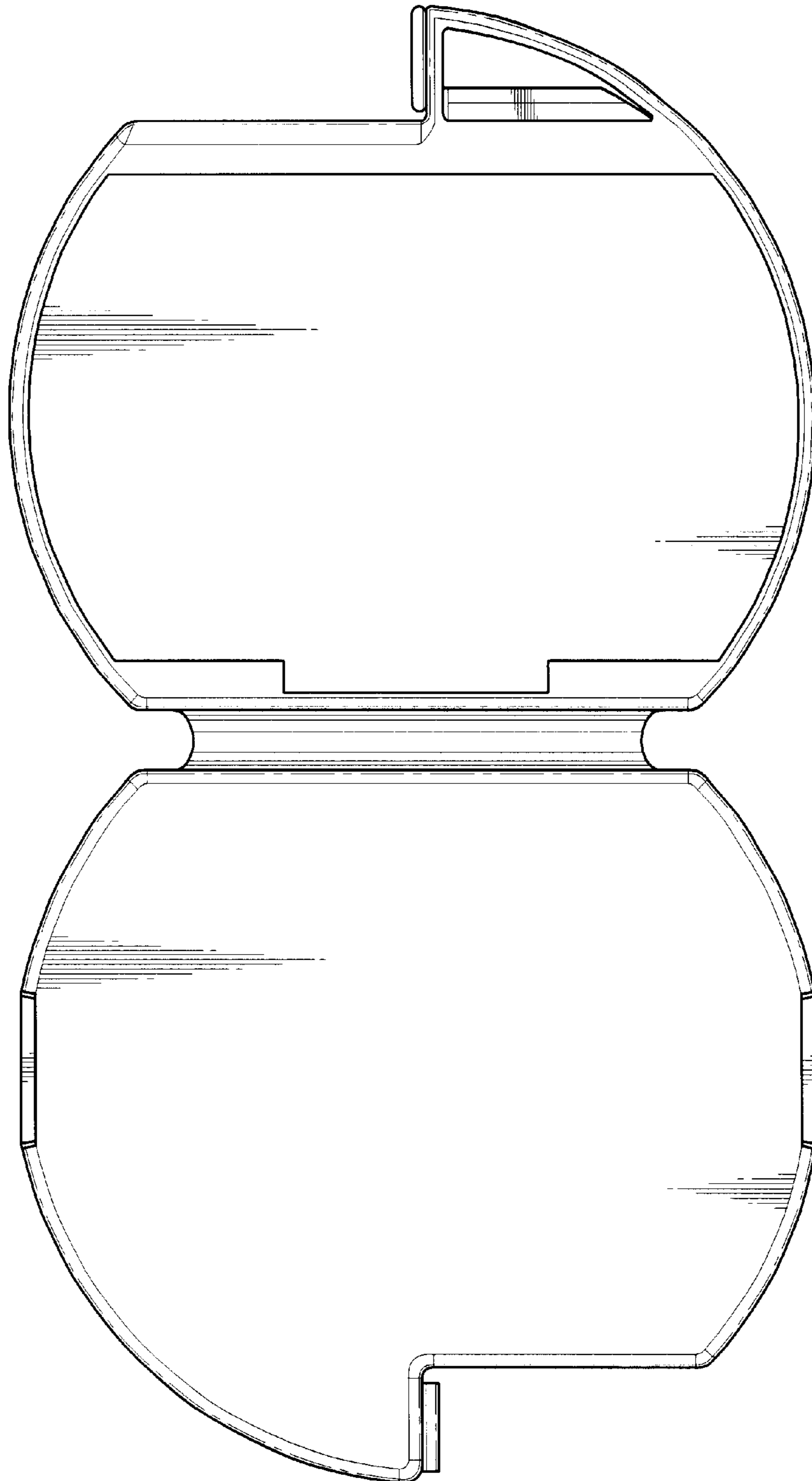
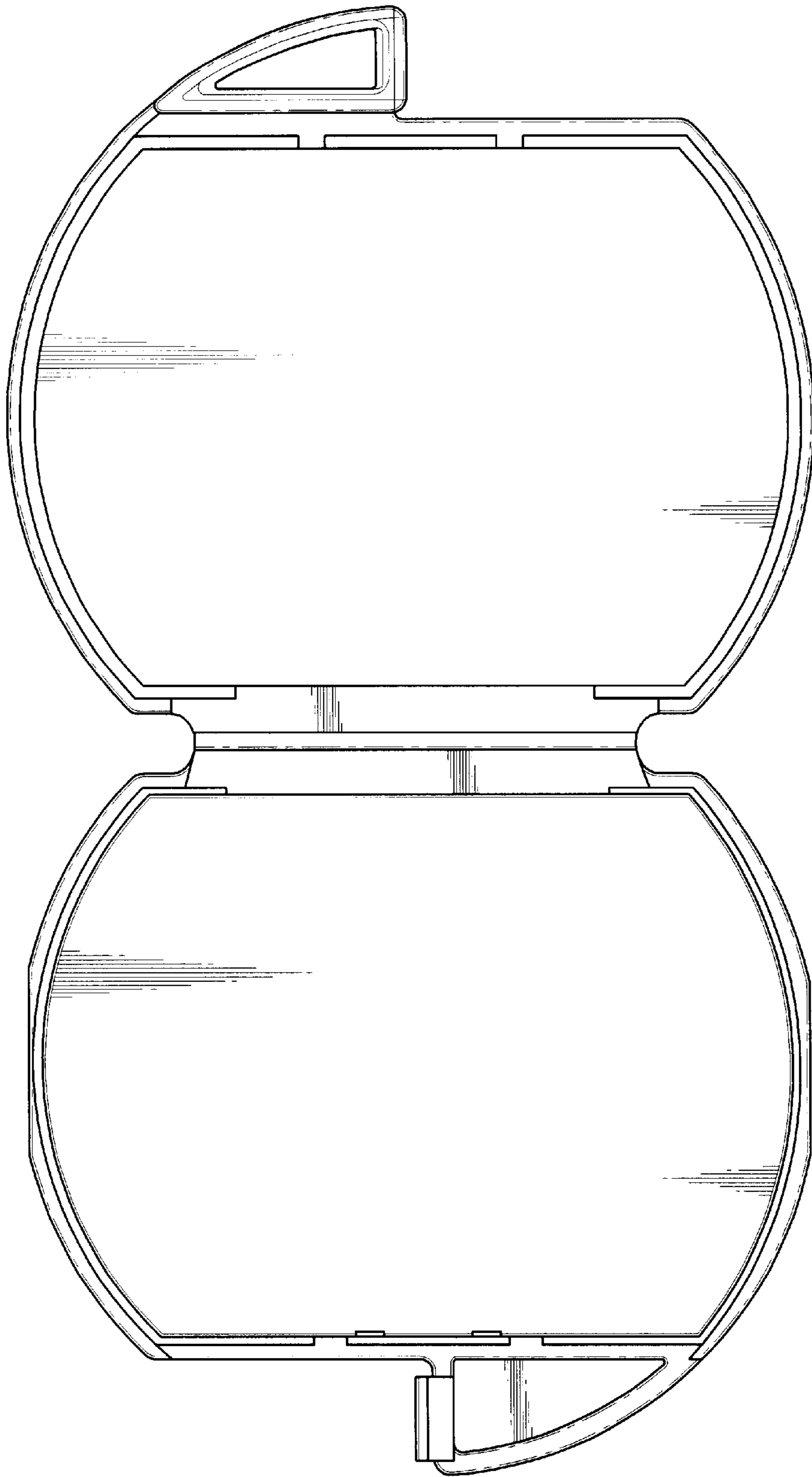


FIG. 12

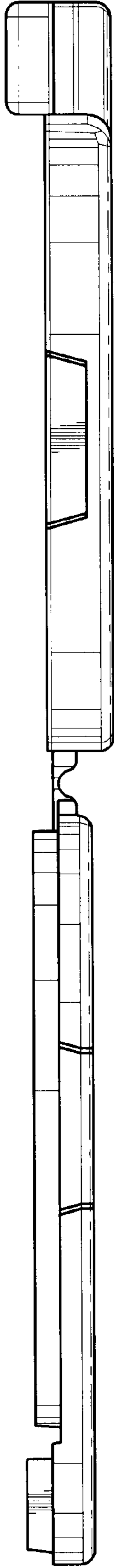


*FIG. 13*

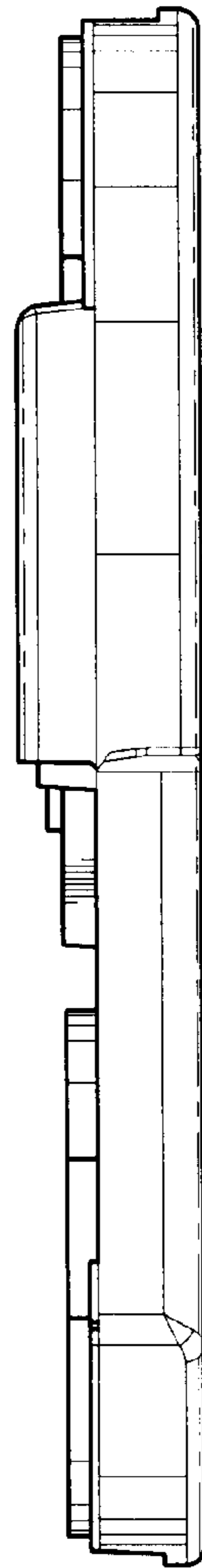




*FIG. 14*



*FIG. 15*



*FIG. 16*